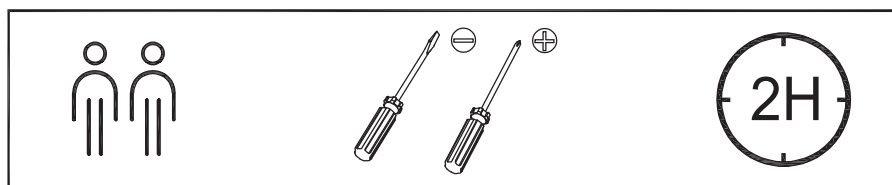
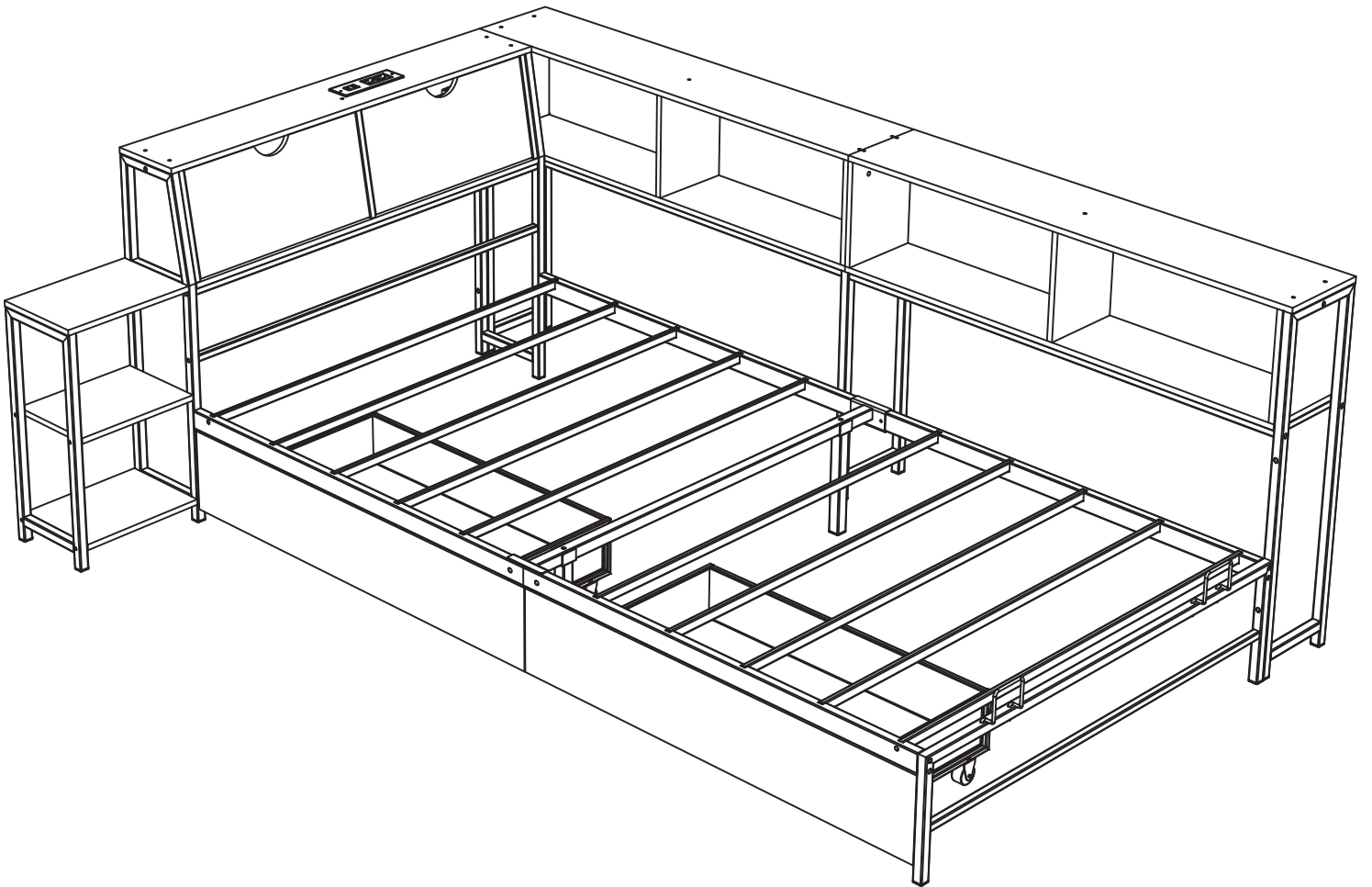
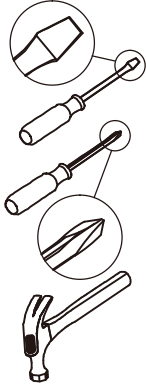


Installation & Assembly



Before You Start



- ✓ Read through each step carefully and follow the proper order
- ✓ Separate and count all your parts and hardware
- ✓ Give yourself enough room for the assembly process
- ✓ Have the following tools: Flat Head Screwdriver, #2 Phillips Head Screwdriver and Hammer
- ✓ Caution: If using a power drill or power screwdriver for screwing, please be aware of to slow down and stop when screw is tight. Failure to do so may result in stripping the screw. (Assembly speed can be increased by using electric screwdriver)

Helpful Hints

PEOPLE NEEDED FOR ASSEMBLY: 1-2

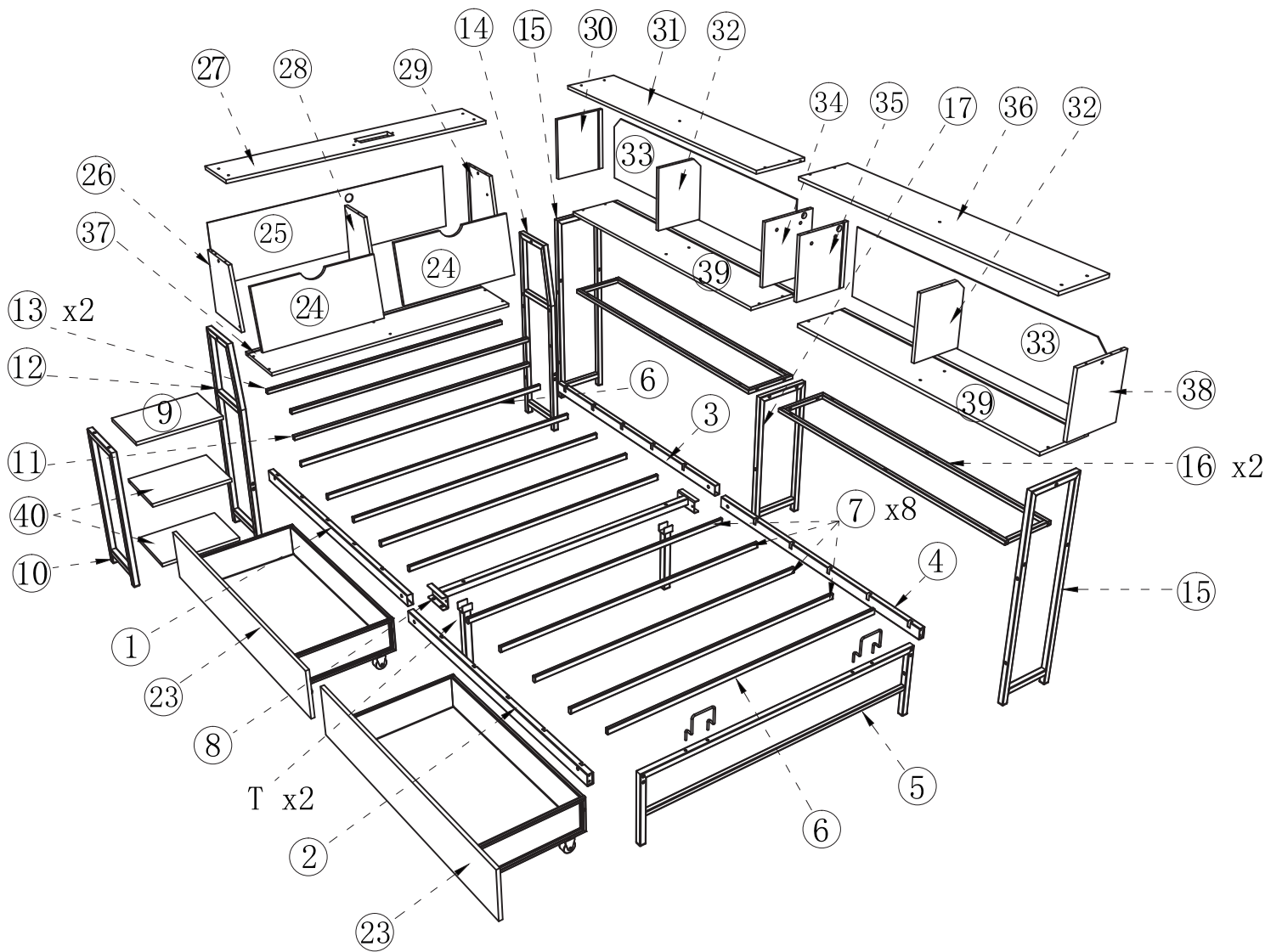
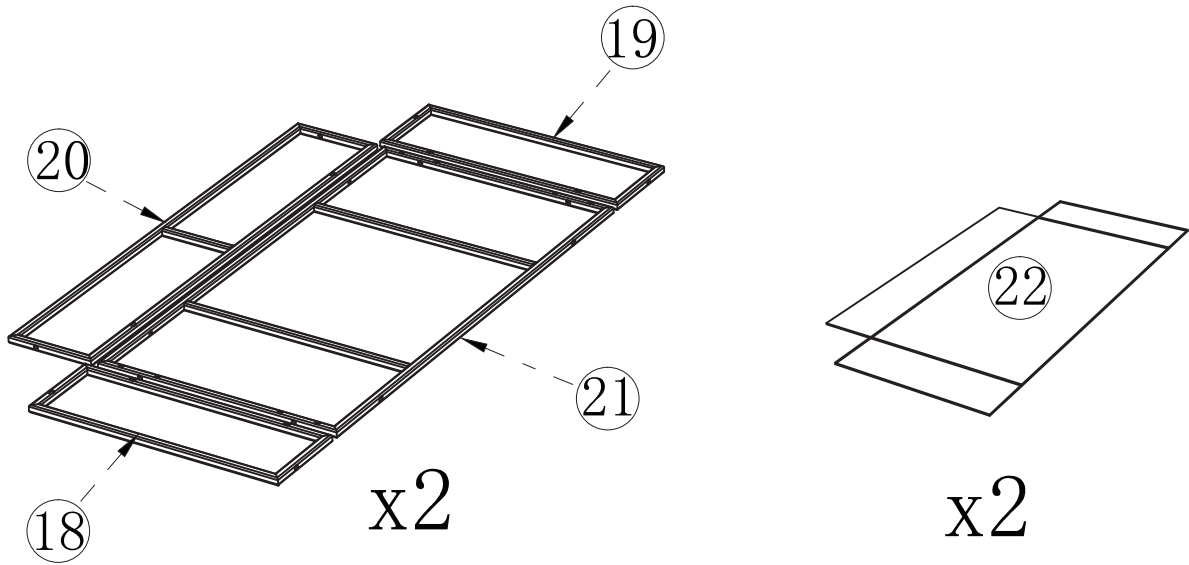
- Open your item in the area you plan to keep it to avoid excessive heavy lifting.
- Identify, sort and count the parts before attempting assembly.
- Compression dowels are lightly tapped in with a hammer.
- Slides are labeled with an **R** (right) and **L** (left) for proper placement.
- Make sure to always position the pointed end on the top of the Cam Lock towards the outer edge.
- If there is a back panel in the package, please install it to make sure your unit is complete and sturdy.
- Please fix all the screws provided for the back panel which can enhance product stability. If it is difficult to fix it when tightening, it can be fixed with the help of a hammer and then tightened.
- Do NOT use harsh chemicals or abrasive cleaners on this item.
- Never push, pull, or drag your furniture.



WARNING

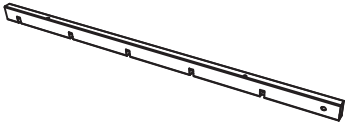
- The product must be installed and used according to the steps and recommendations in the instructions. The seller assumes no responsibility for any injury or damage caused by improper assembly or improper use by the user.
- Children are not allowed to assemble this product. During assembly, all small parts should be kept out of the reach of children to avoid swallowing or inhaling and related injuries.
- Please keep plastic packaging away from children to avoid choking hazards when playing.
- Please wear gloves during assembly/disassembly to avoid cuts.
- Please assemble the product on a spacious area and do not place the unpacked product directly on the floor to avoid damage.
- Please avoid long-term moisture to prevent mold and deformation.
- Please keep the product away from sharp objects and corrosive substances.
- Please check the tightness of the screws regularly during use. Re-tighten loose screws to ensure structural integrity.
- Depending on the type of furniture and the environment in which it is used, consider using fasteners to secure the furniture to the wall or other objects to prevent it from tipping over.
- Place the product on a flat and stable surface during use

EXPLODED DRAWING



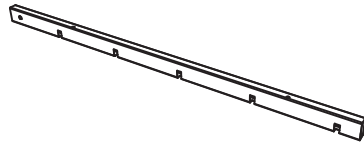
PART LIST

1



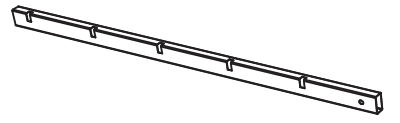
1pcs

2



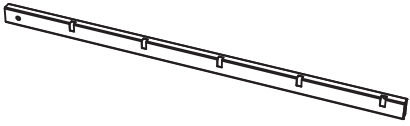
1pcs

3



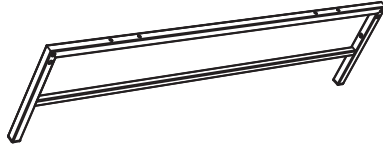
1pcs

4



1pcs

5



1pcs

6



2pcs

7



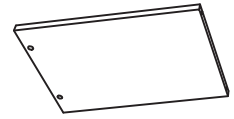
8pcs

8



1pcs

9



1pcs

10



1pcs

11



1pcs

12



1pcs

13



2pcs

14



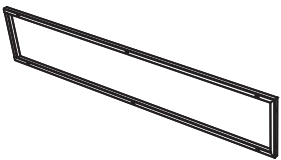
1pcs

15



2pcs

16



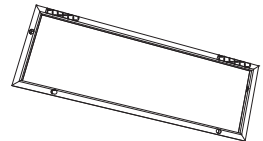
2pcs

17



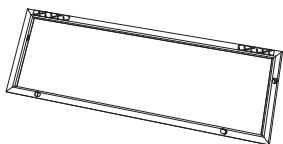
1pcs

18



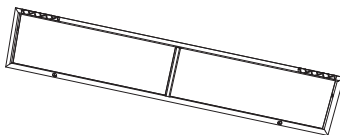
2pcs

19



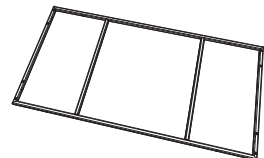
2pcs

20



2pcs

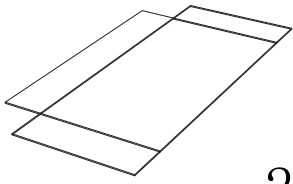
21



2pcs

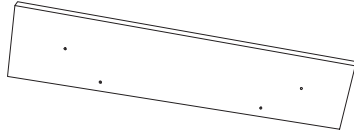
PART LIST

22



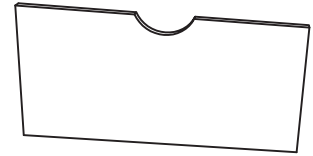
2pcs

23



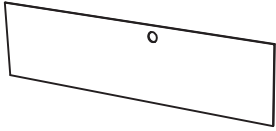
2pcs

24



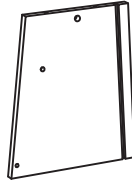
2pcs

25



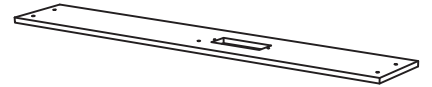
1pcs

26



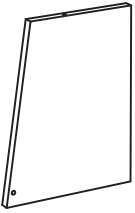
1pcs

27



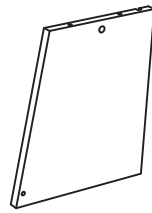
1pcs

28



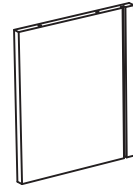
1pcs

29



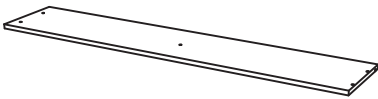
1pcs

30



1pcs

31



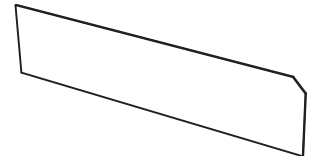
1pcs

32



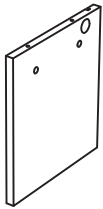
2pcs

33



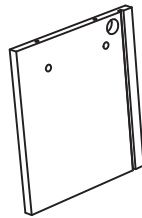
2pcs

34



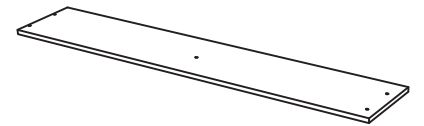
1pcs

35



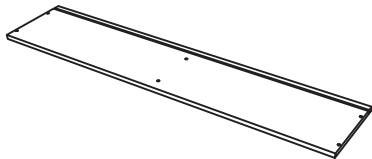
1pcs

36



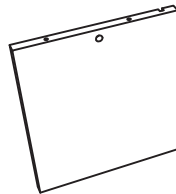
1pcs

37



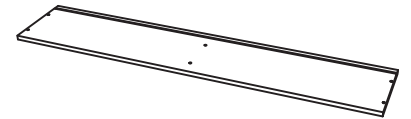
1pcs

38



1pcs

39



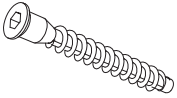

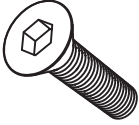

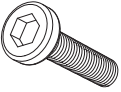

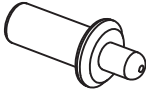
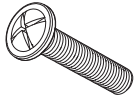


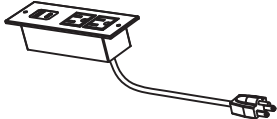

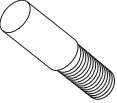




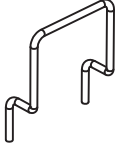
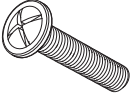


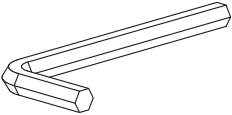
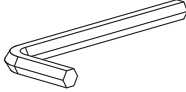
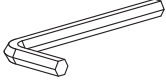
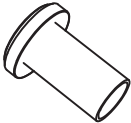
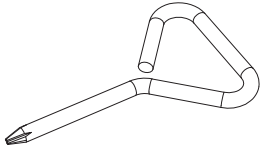
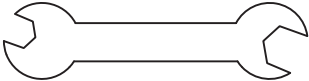
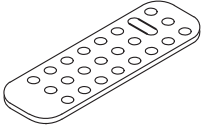
2pcs

40

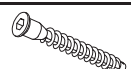


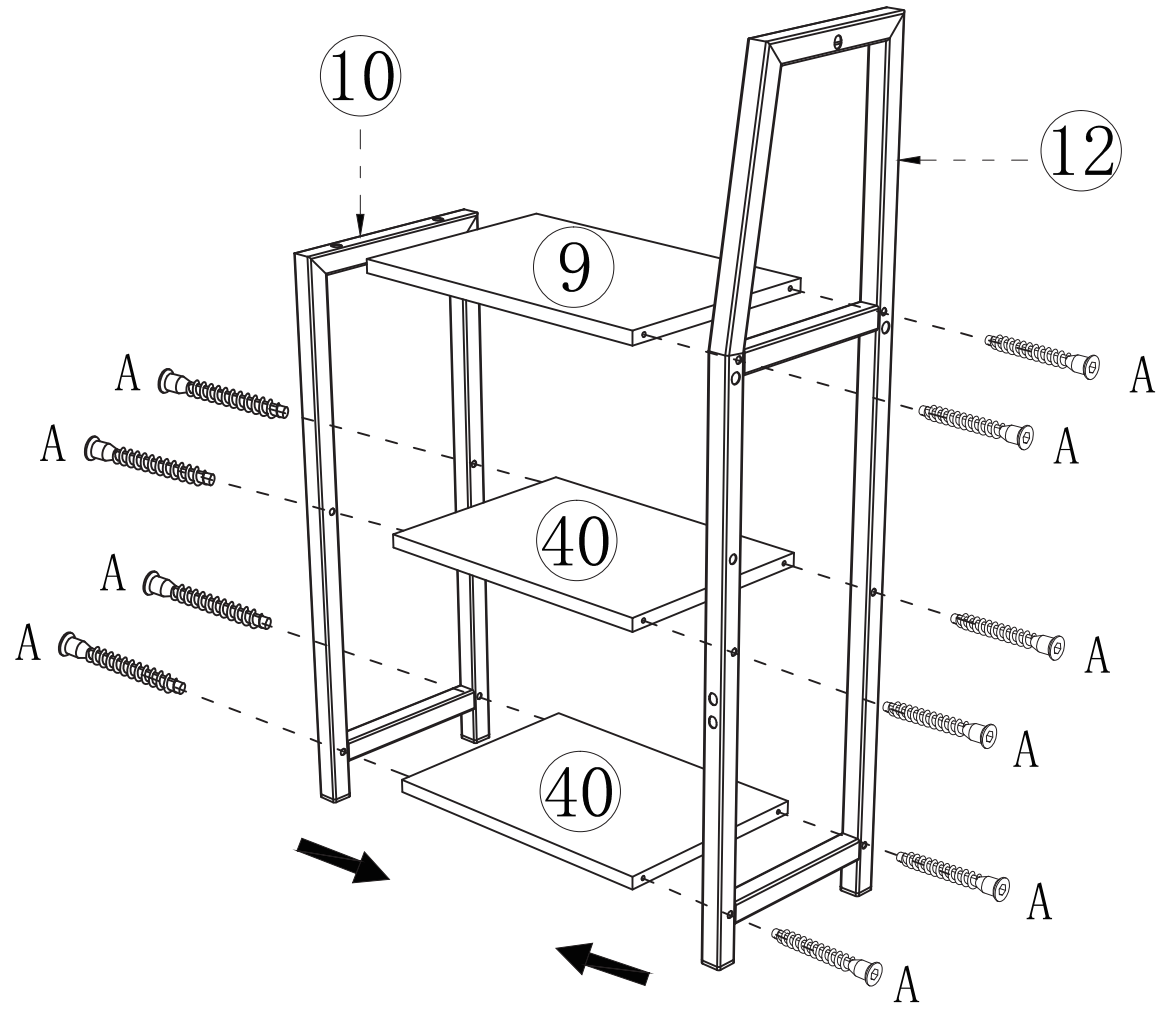
2pcs

ACCESSORY LIST


<p>A</p>  <p>M5*40mm 43PCS</p>	<p>B</p>  <p>M6*28mm 13PCS</p>	<p>C</p>  <p>M6*40mm 4PCS</p>	<p>D</p>  <p>M6*25mm 18PCS</p>
<p>E</p>  <p>M6*15mm 4PCS</p>	<p>F</p>  <p>∅11*8mm 2PCS</p>	<p>G</p>  <p>4PCS</p>	<p>H</p>  <p>M4*14mm 20PCS</p>
<p>I</p>  <p>15cm 2PCS</p>	<p>J</p>  <p>M4*10mm 2PCS</p>	<p>K</p>  <p>1PCS</p>	<p>L</p>  <p>M6*40mm 16PCS</p>
<p>M</p>  <p>∅6*M4*20mm 4PCS</p>	<p>N</p>  <p>M6*60mm 2PCS</p>	<p>O</p>  <p>M6 5PCS</p>	<p>P</p>  <p>1PCS</p>
<p>Q</p>  <p>M6*50mm 3PCS</p>	<p>R</p>  <p>2PCS</p>	<p>S</p>  <p>M4*18mm 24PCS</p>	<p>T</p>  <p>22.5cm 2PCS</p>
<p>U</p>  <p>1.0 8PCS</p>	<p>V</p>  <p>M8 1PCS</p>	<p>W</p>  <p>M6 1PCS</p>	<p>X</p>  <p>M4 1PCS</p>
<p>Y</p>  <p>2PCS</p>	<p>Z</p>  <p>1PCS</p>	<p>a</p>  <p>M6/M8 1PCS</p>	<p>b</p>  <p>1PCS</p>

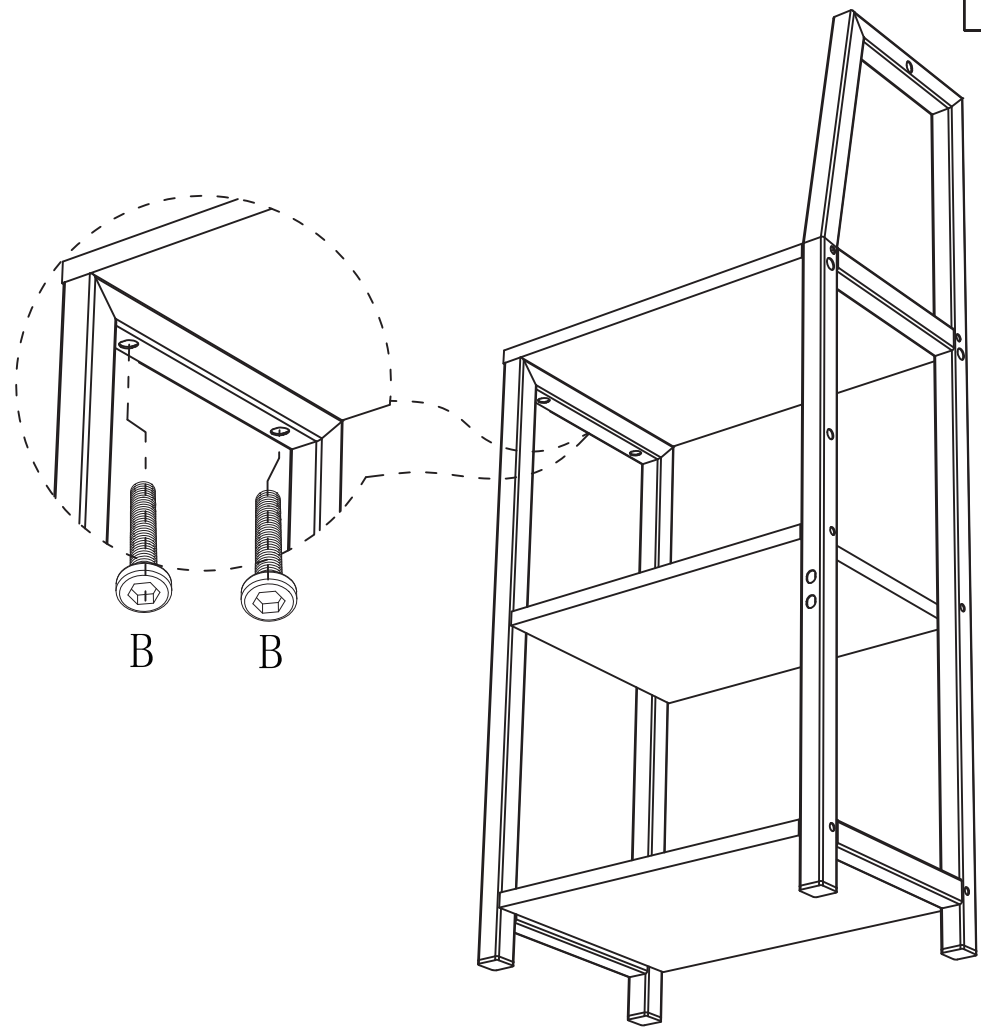
1

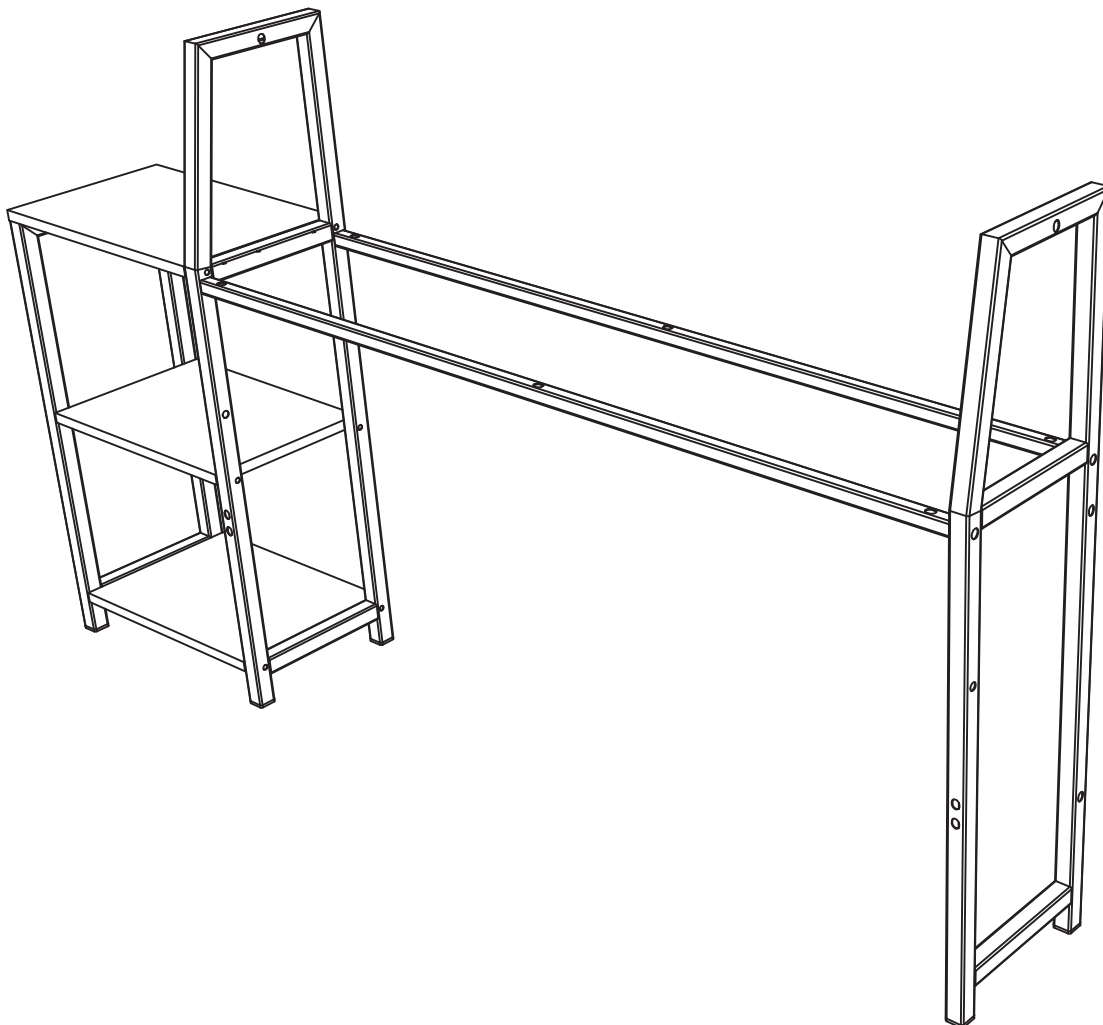
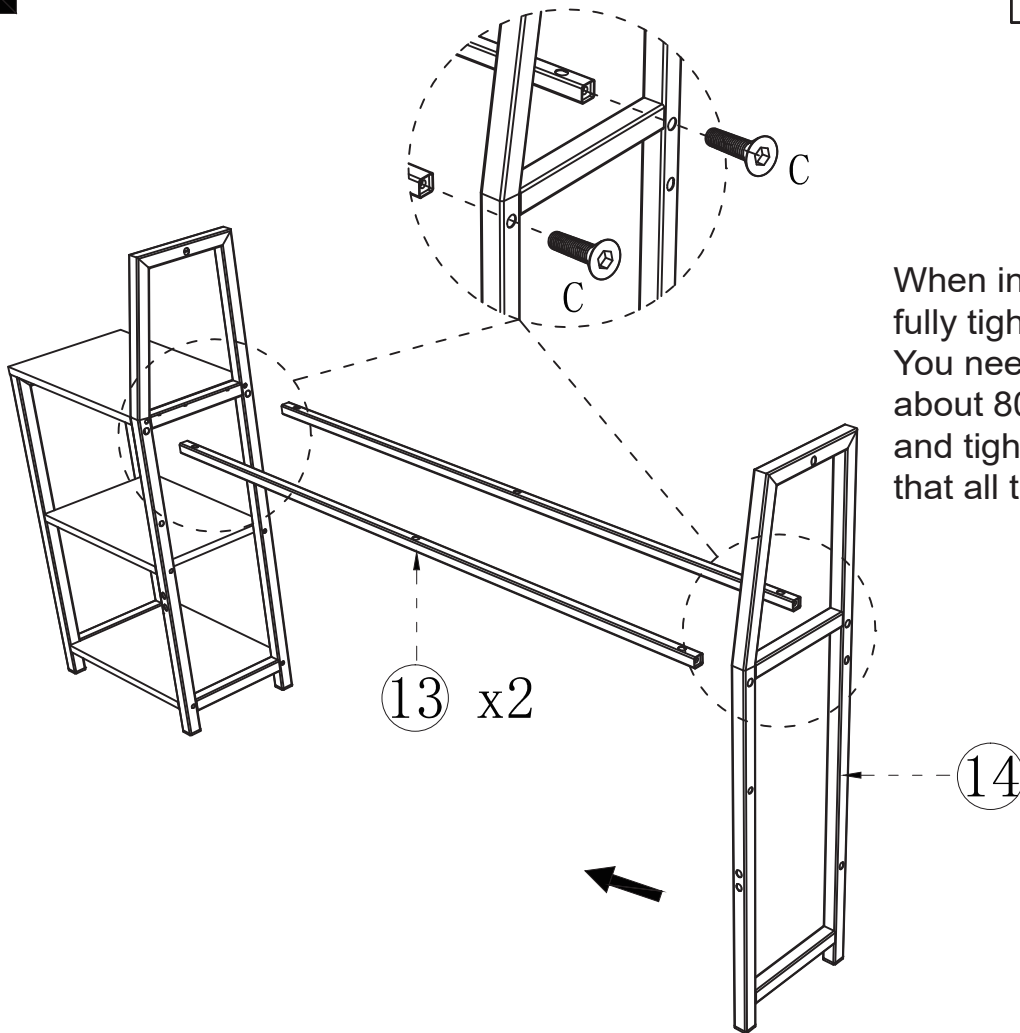
A  M5*40mm 10pcs



2

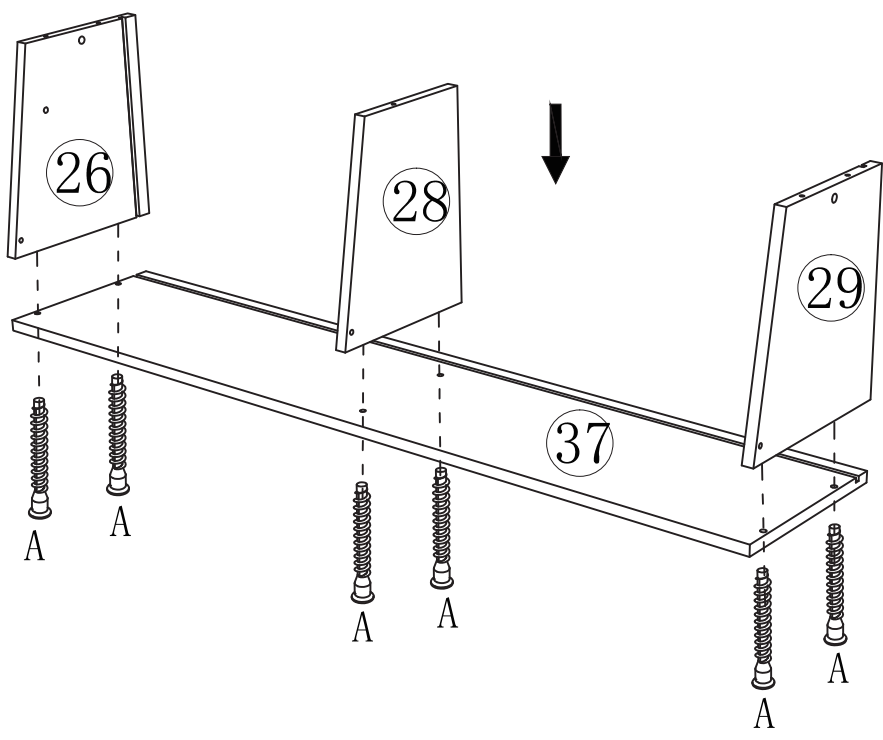
B  M6*28mm 2pcs






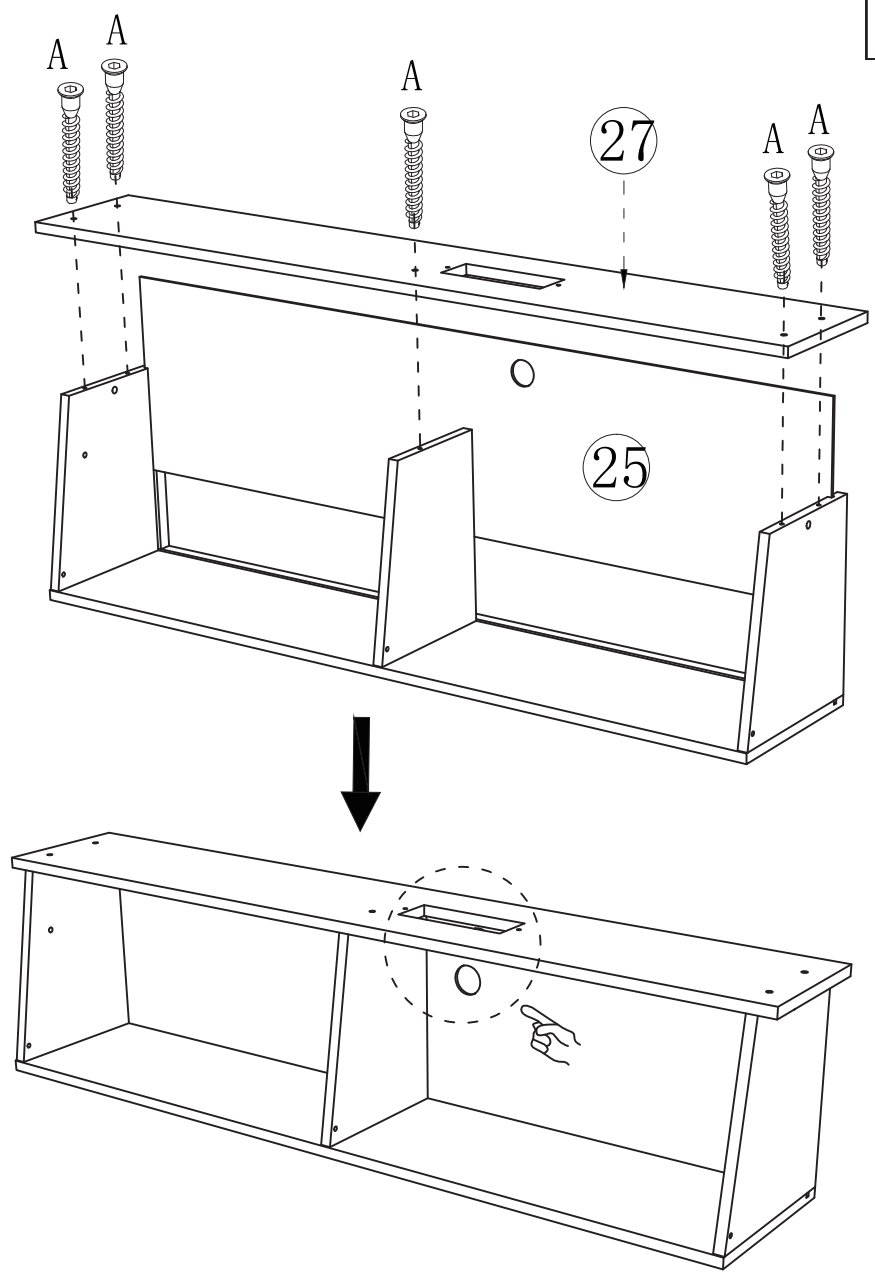
5

A  M5*40mm 6pcs

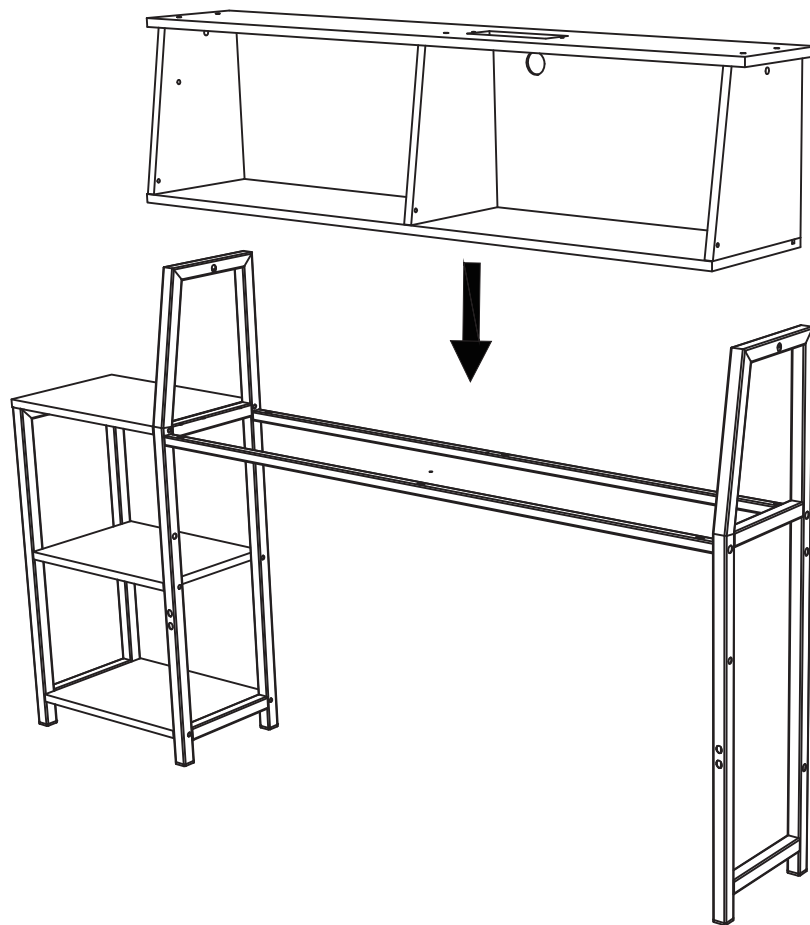





6

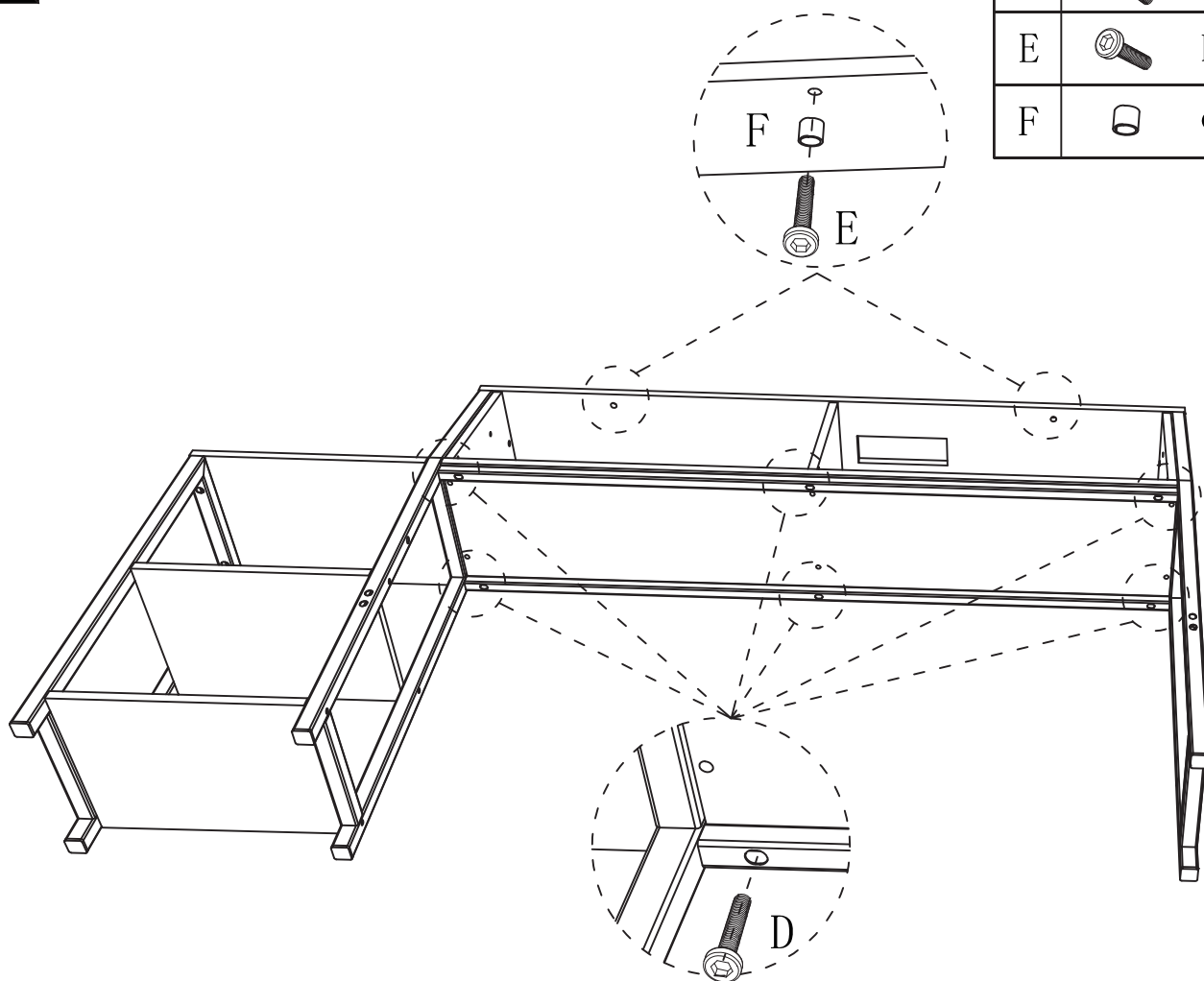
A  M5*40mm 5pcs



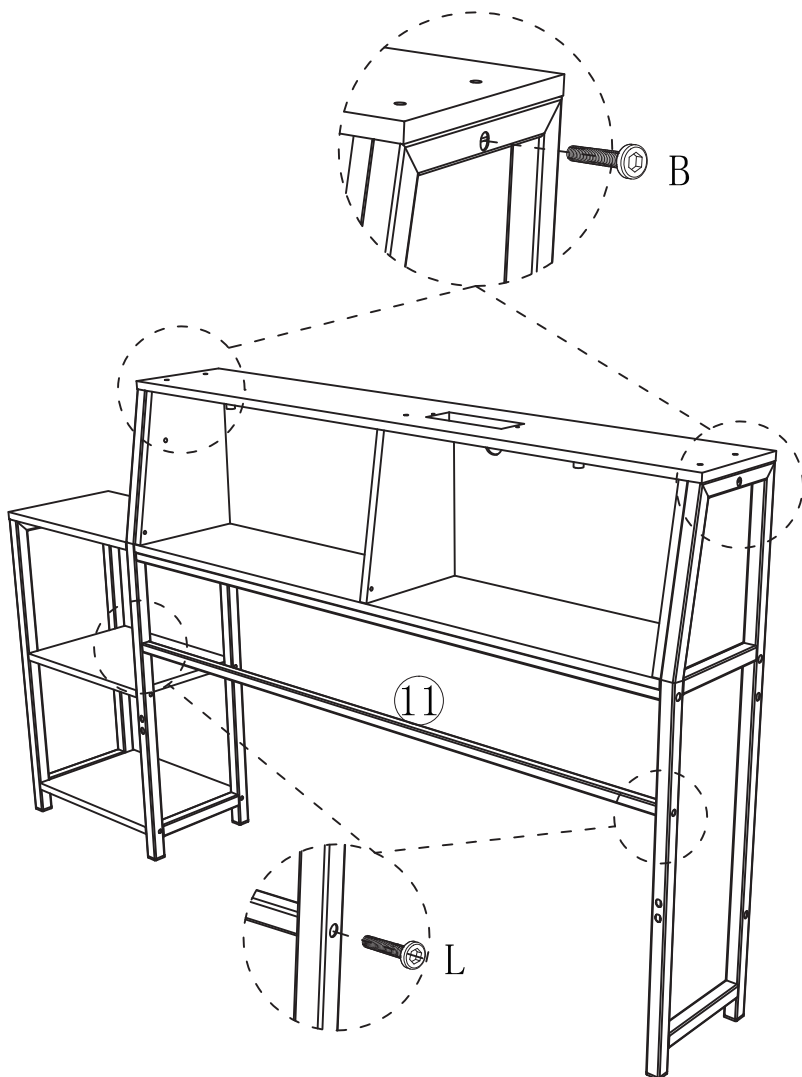
Advice:
Two people cooperate to install



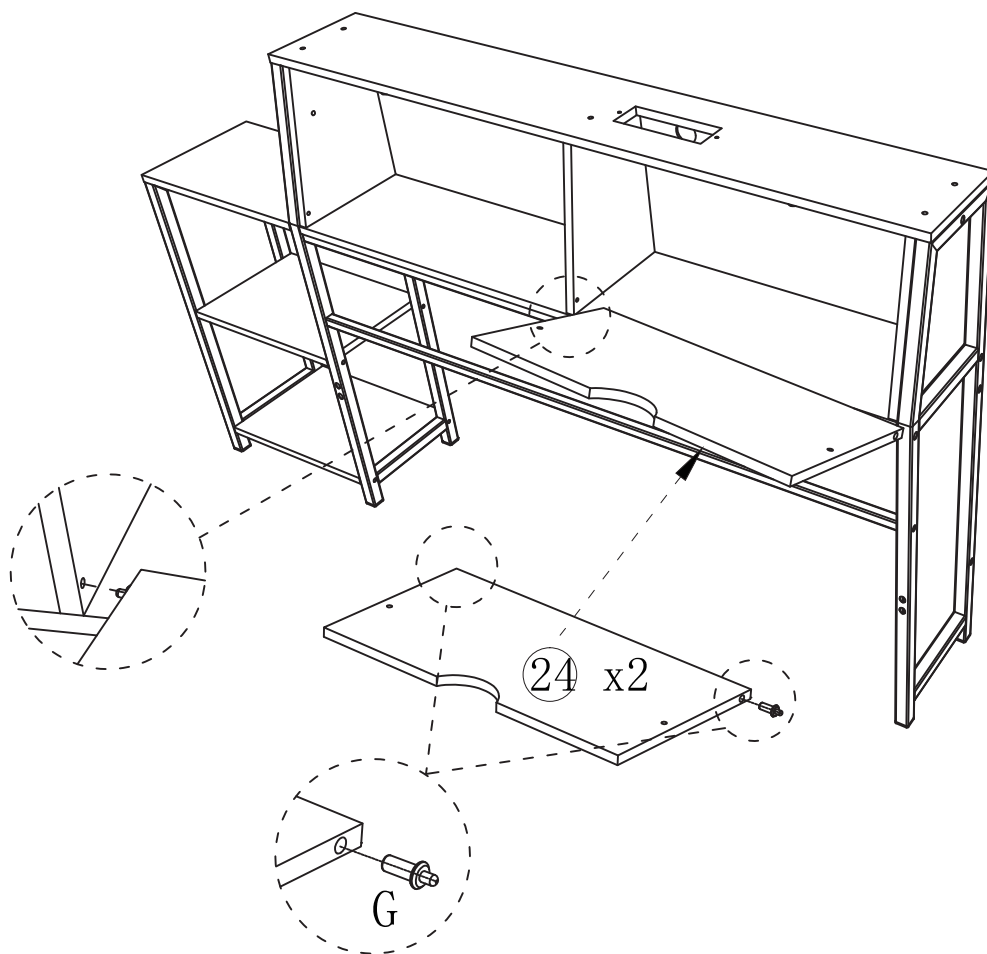
D		M6*25mm	6pcs
E		M6*15mm	2pcs
F		Ø11*8mm	2pcs



9

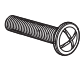

B  M6*28mm 2pcsL  M6*40mm 2pcs

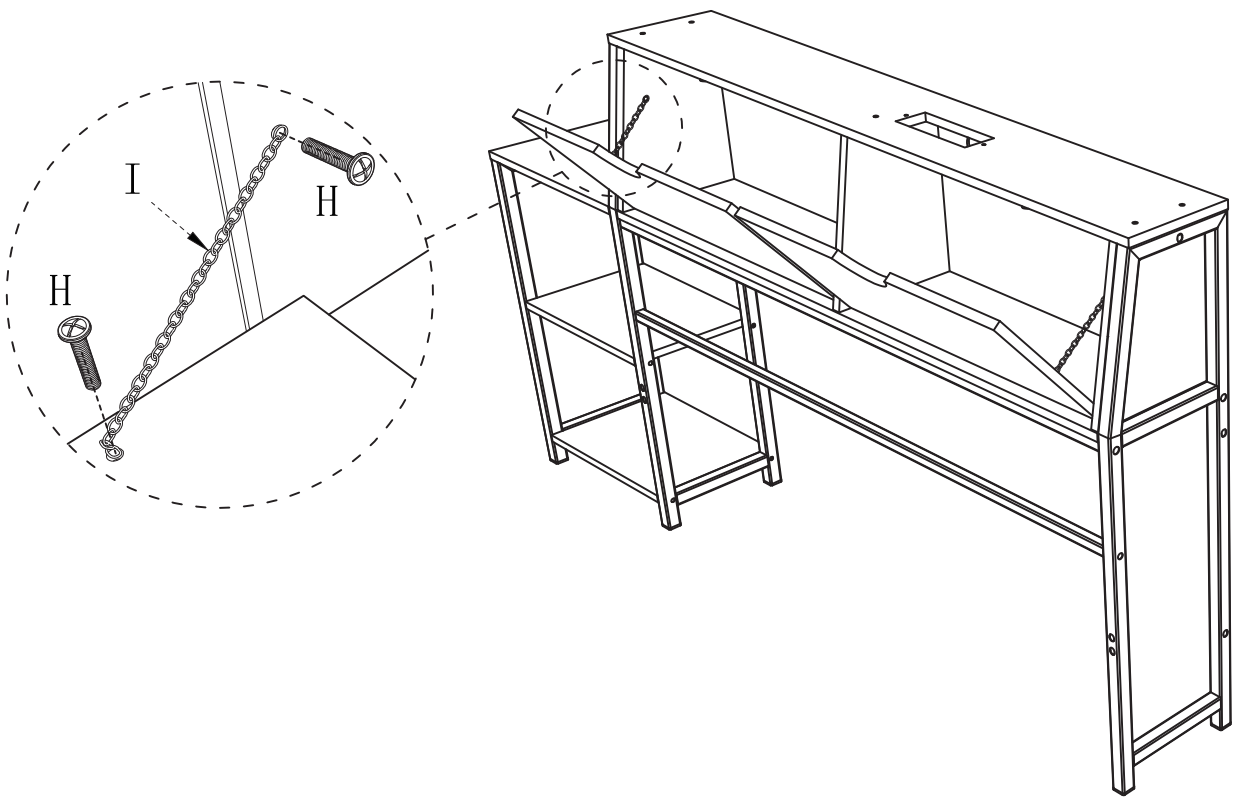
10

G  2pcs



11

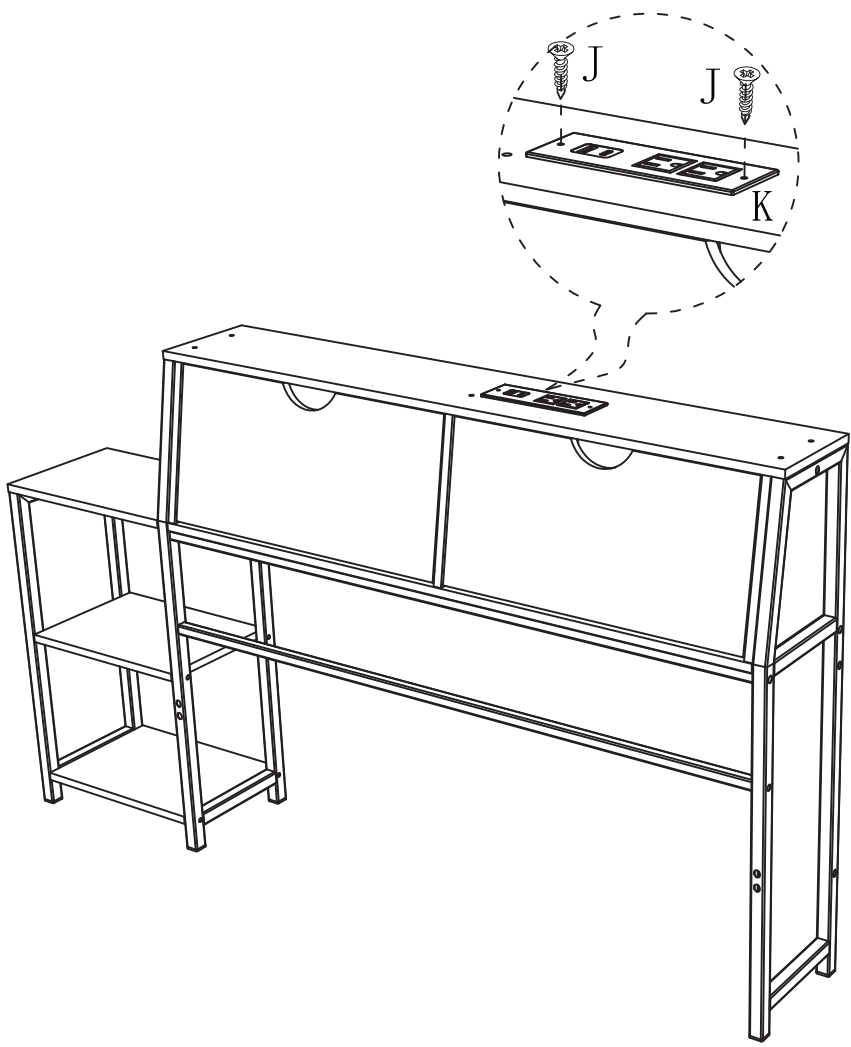
11

H		M4*14mm	4pcs
I			2pcs




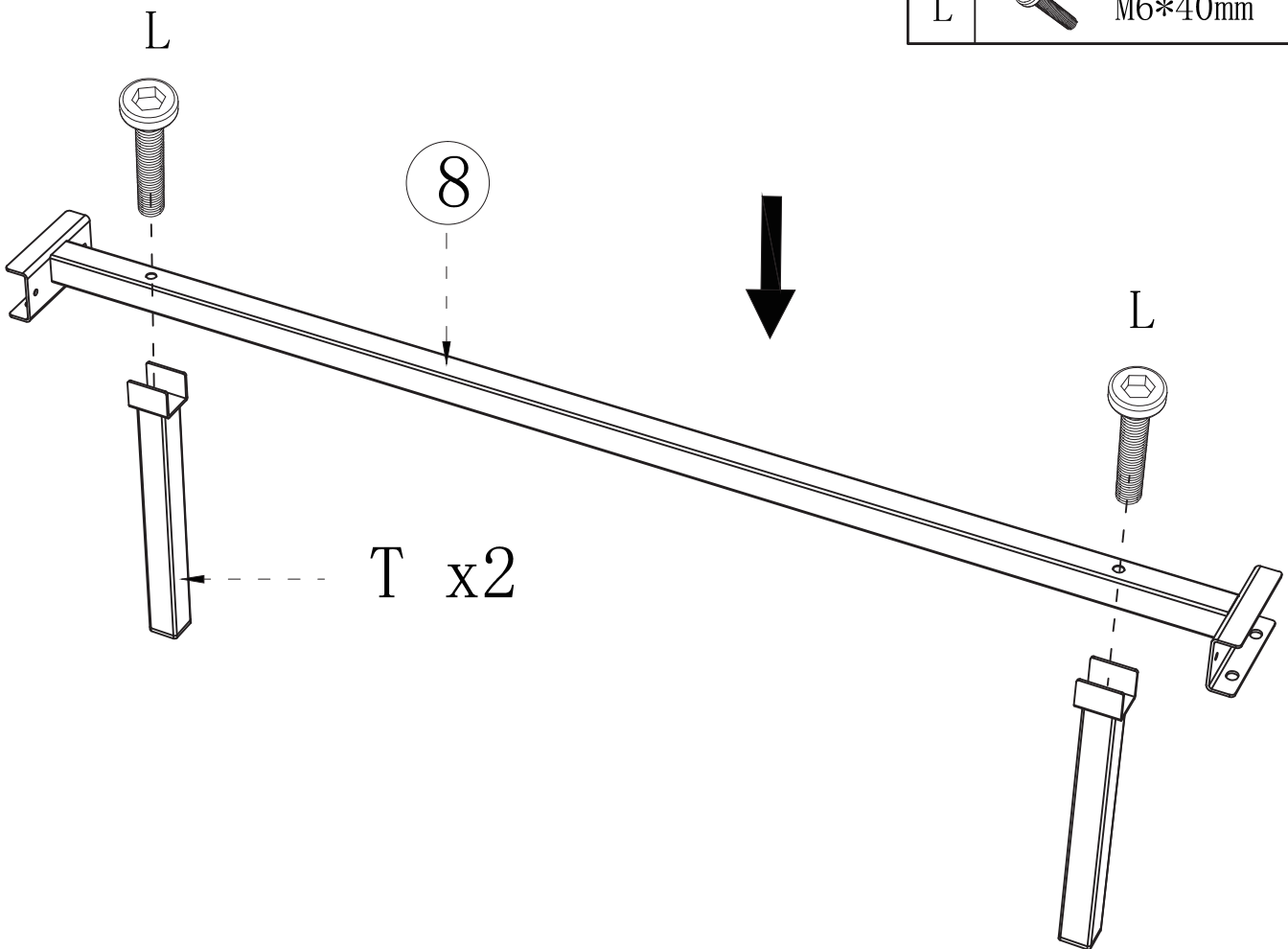
12

J		M4*10mm	2pcs
K			1pcs




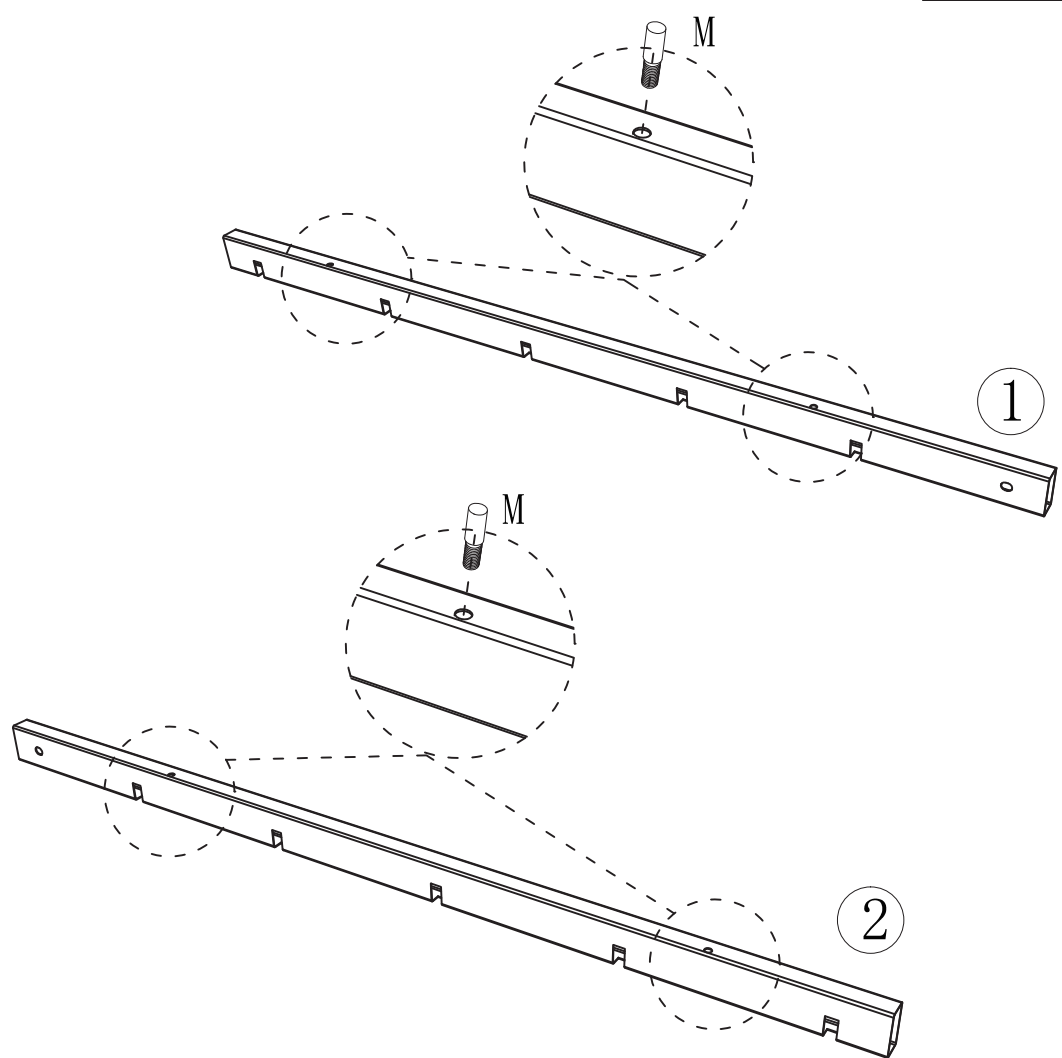
13

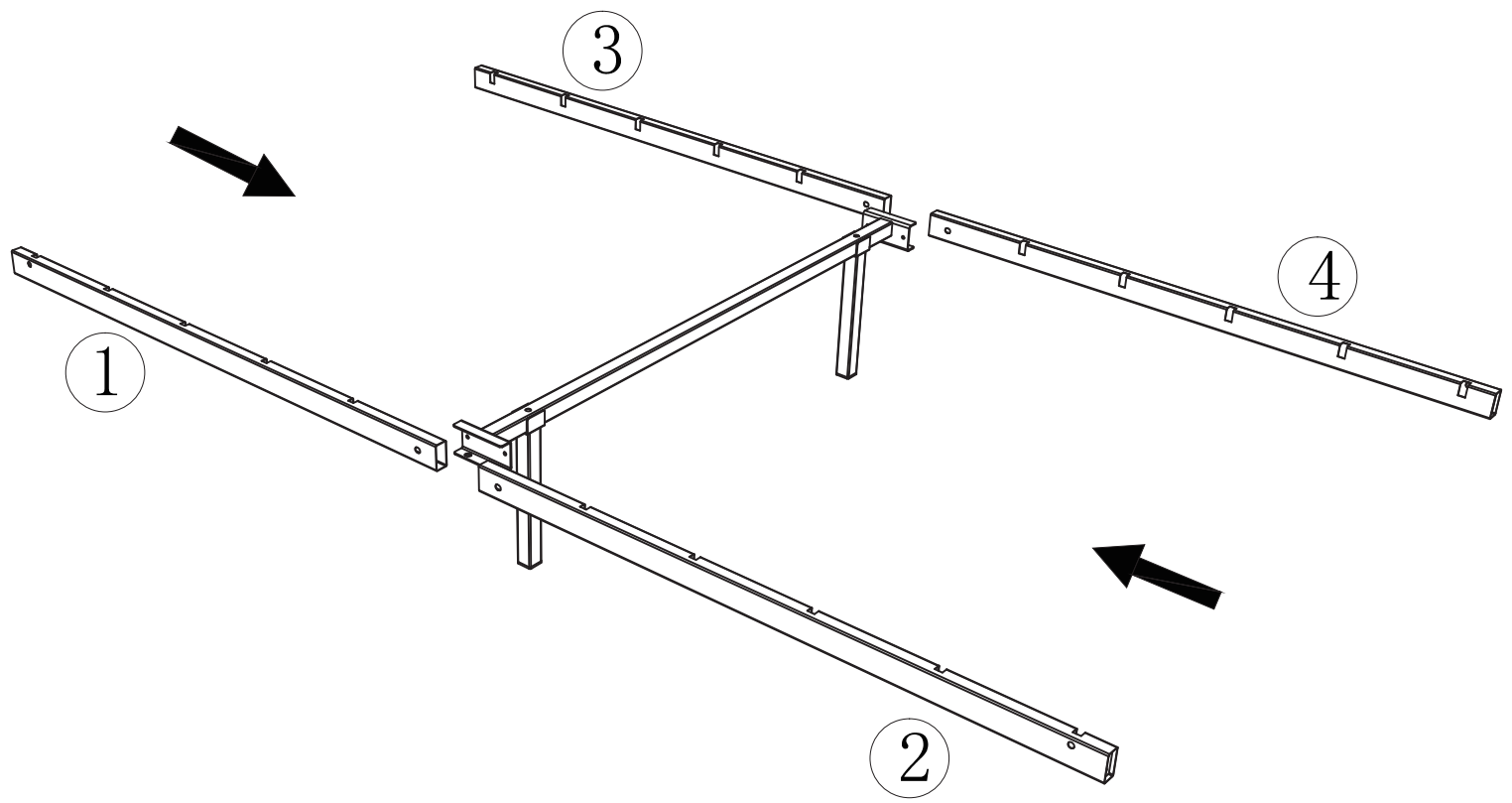
L  M6*40mm 2pcs




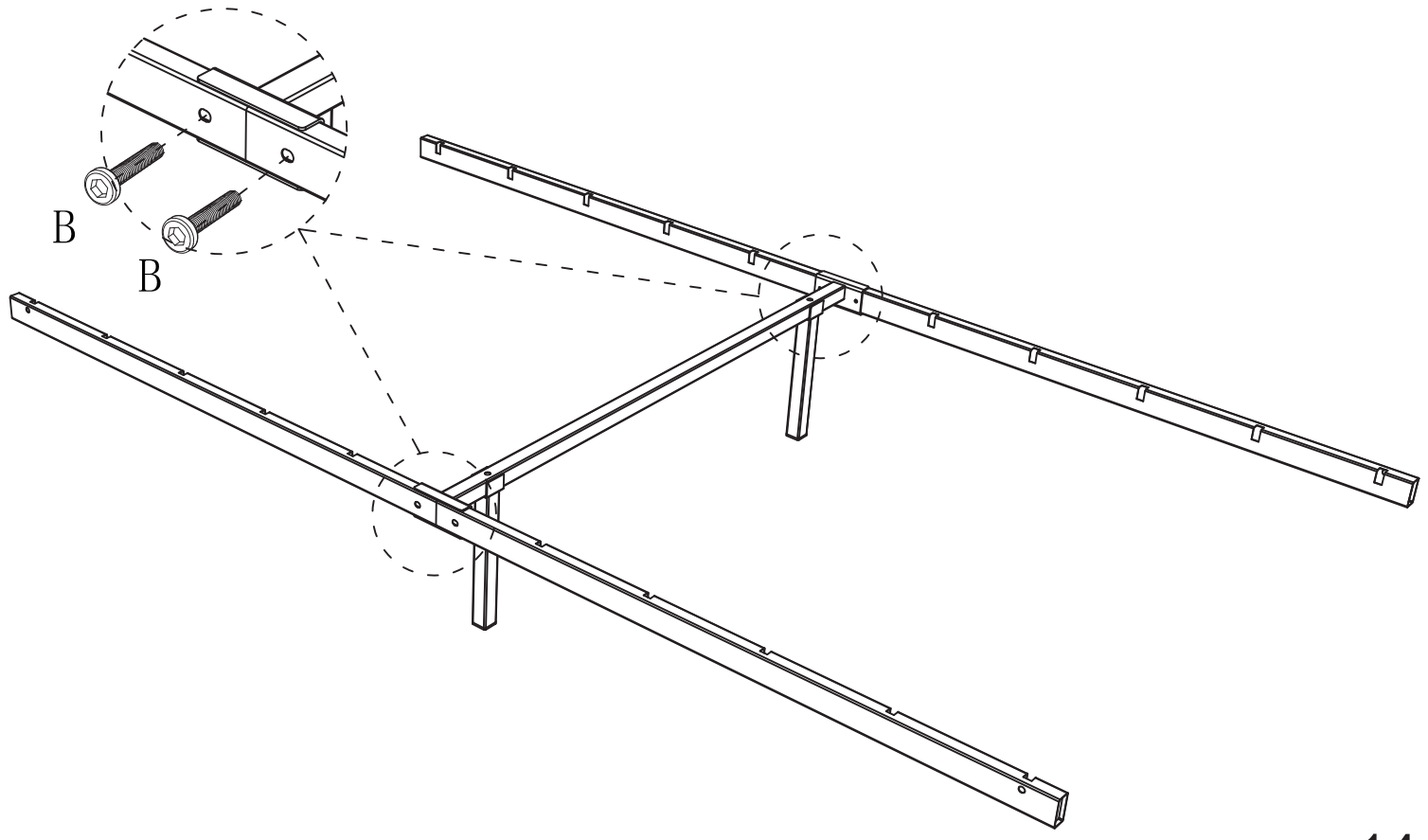
14

M  $\phi 6 * M4 * 20mm$ 4pcs





B  M6*28mm 4pcs

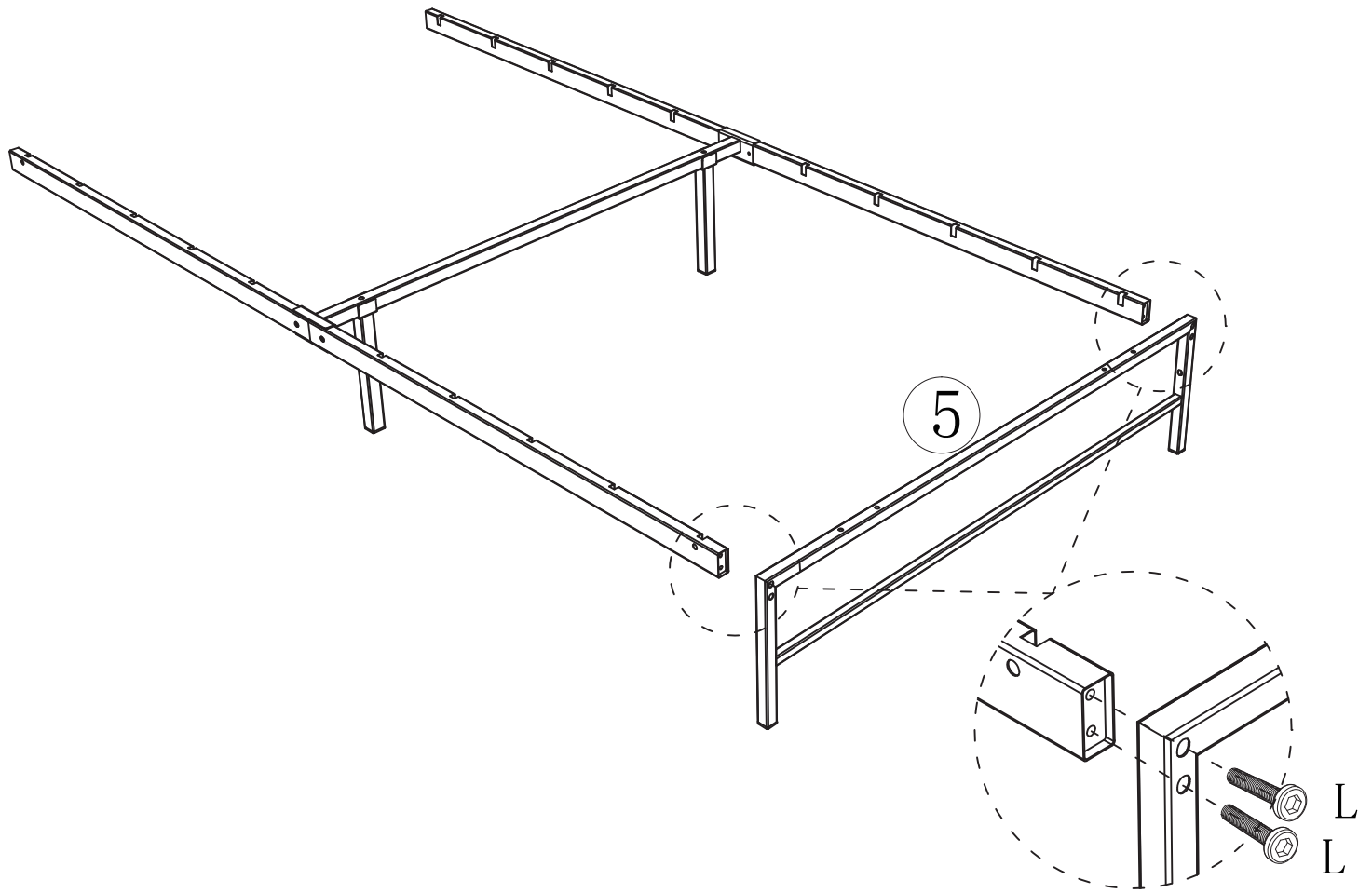


17

L



M6*40mm 4pcs

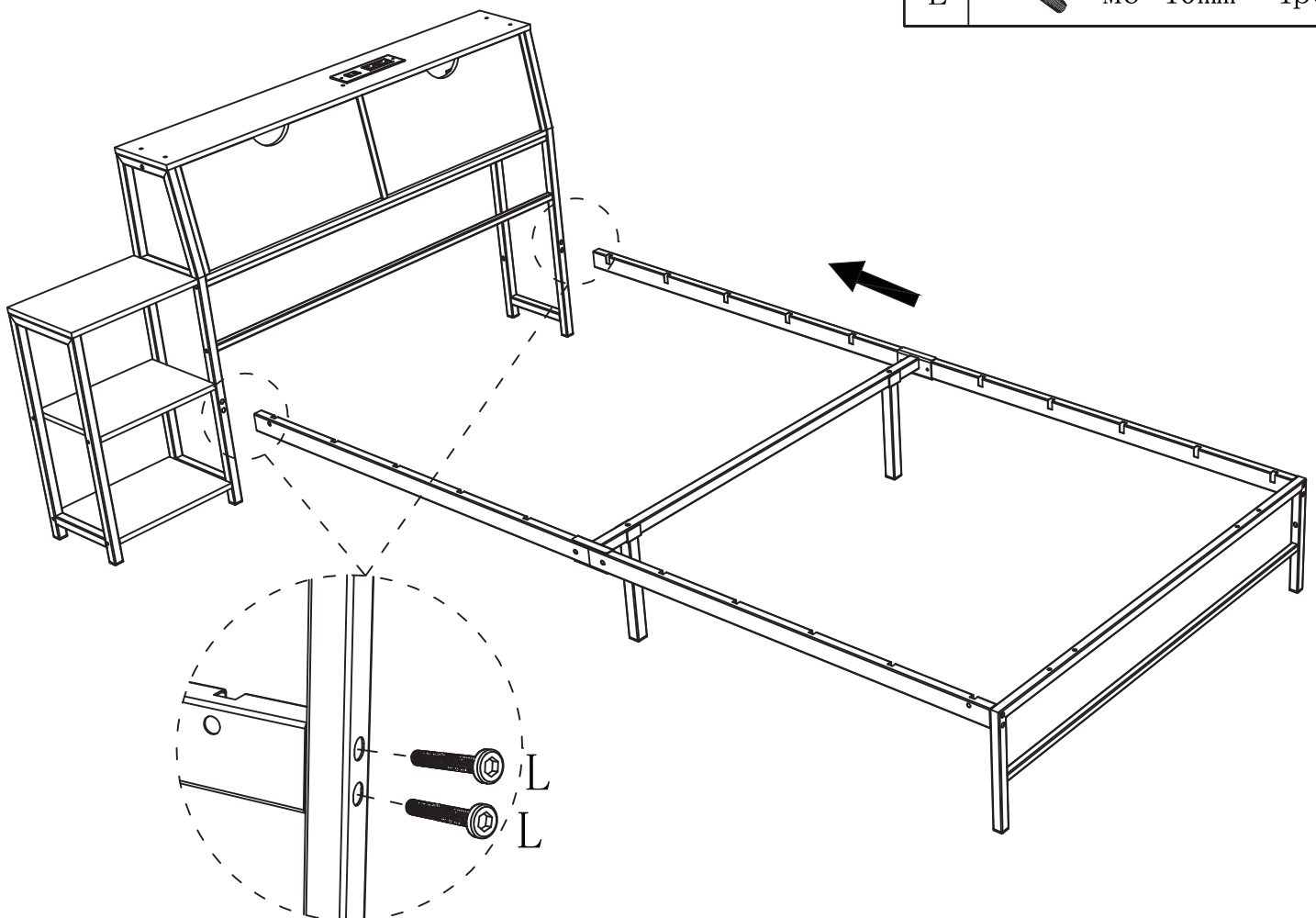


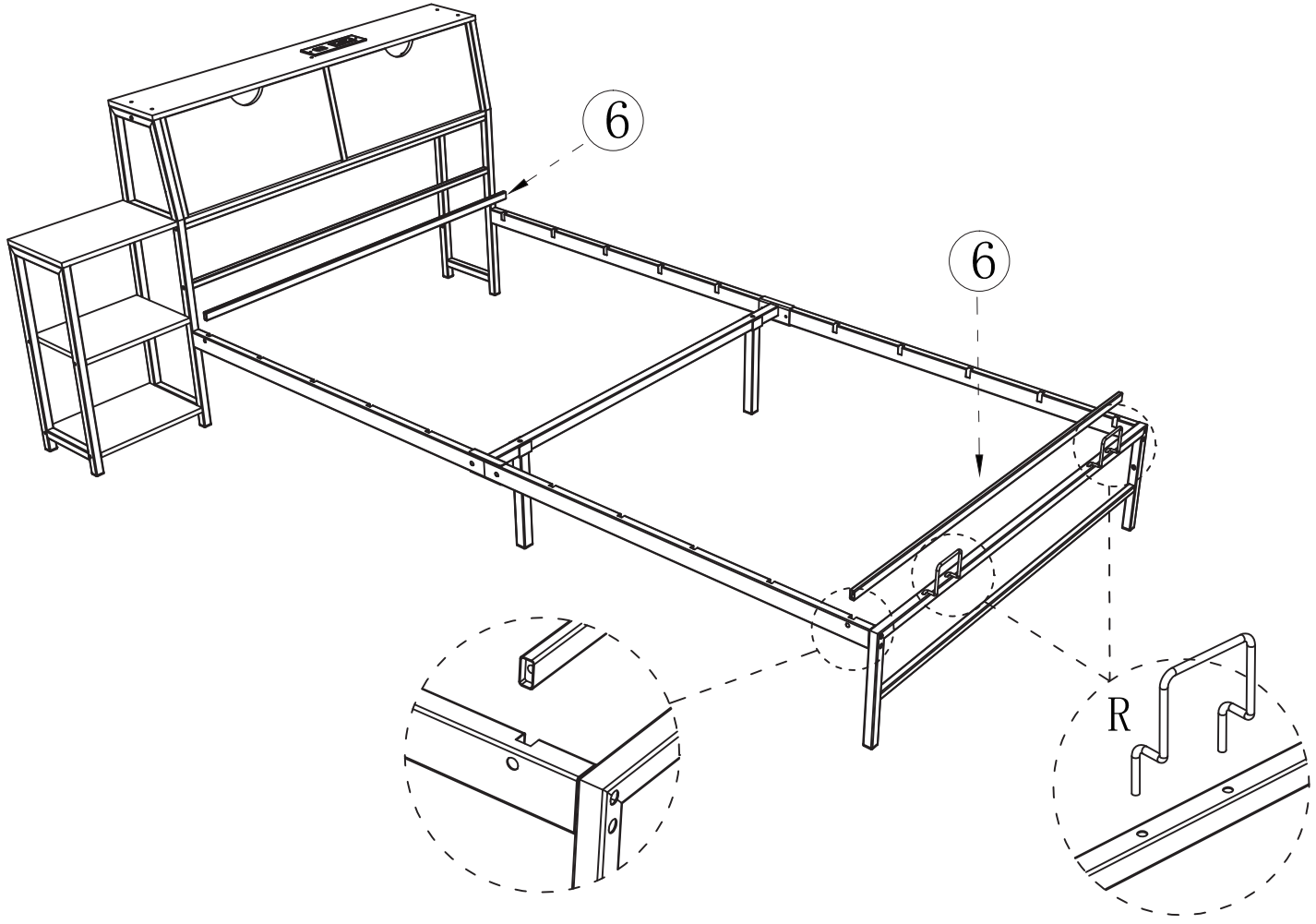
18

L

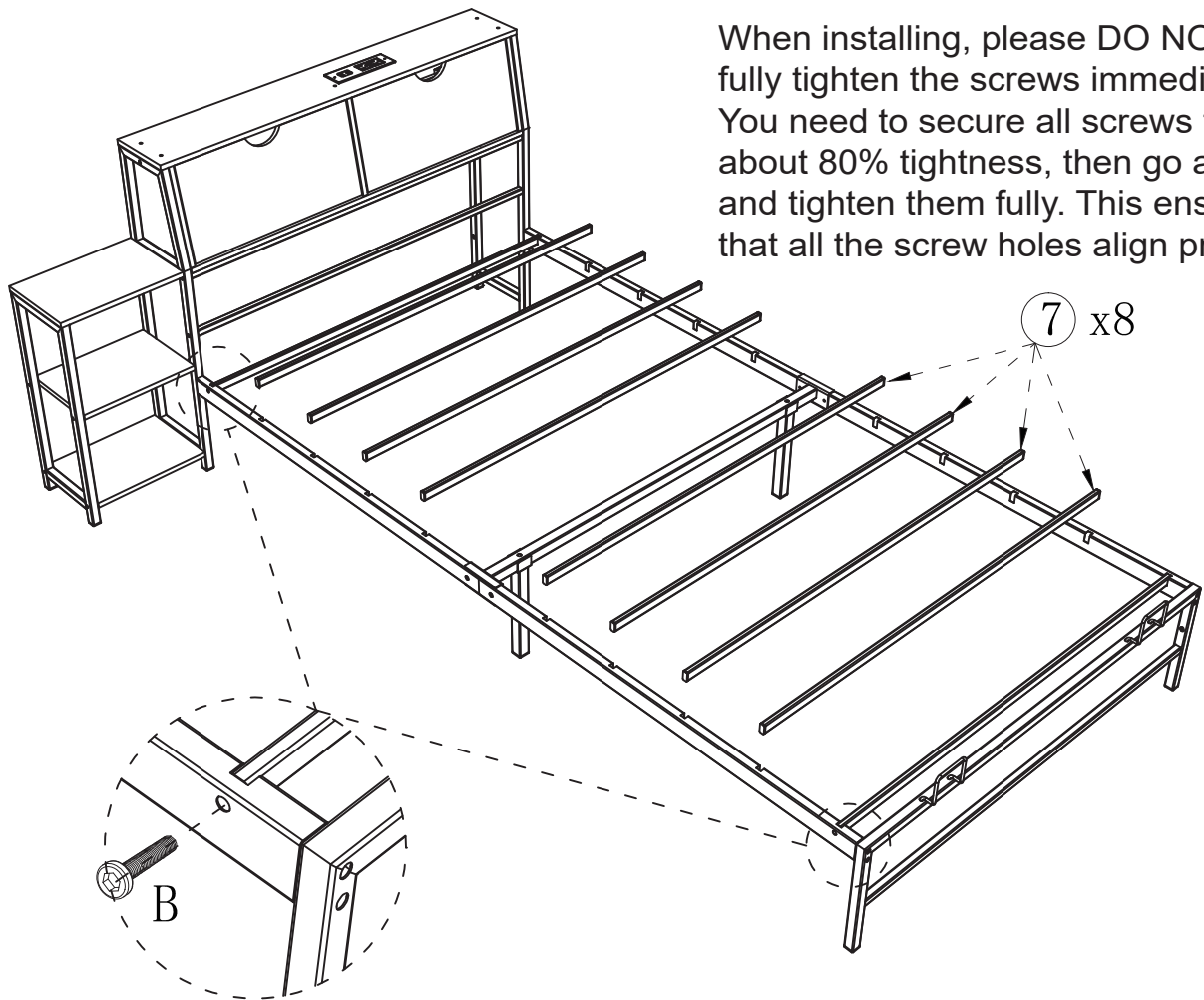


M6*40mm 4pcs




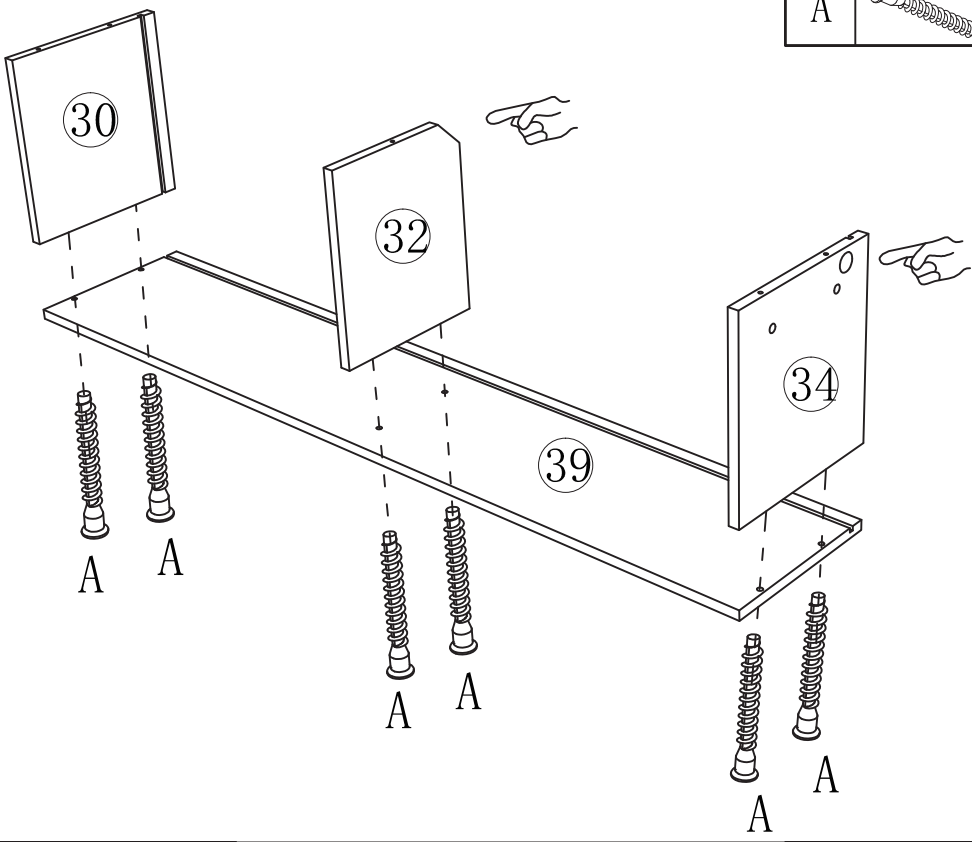


When installing, please **DO NOT** fully tighten the screws immediately! You need to secure all screws to about 80% tightness, then go ahead and tighten them fully. This ensures that all the screw holes align properly.



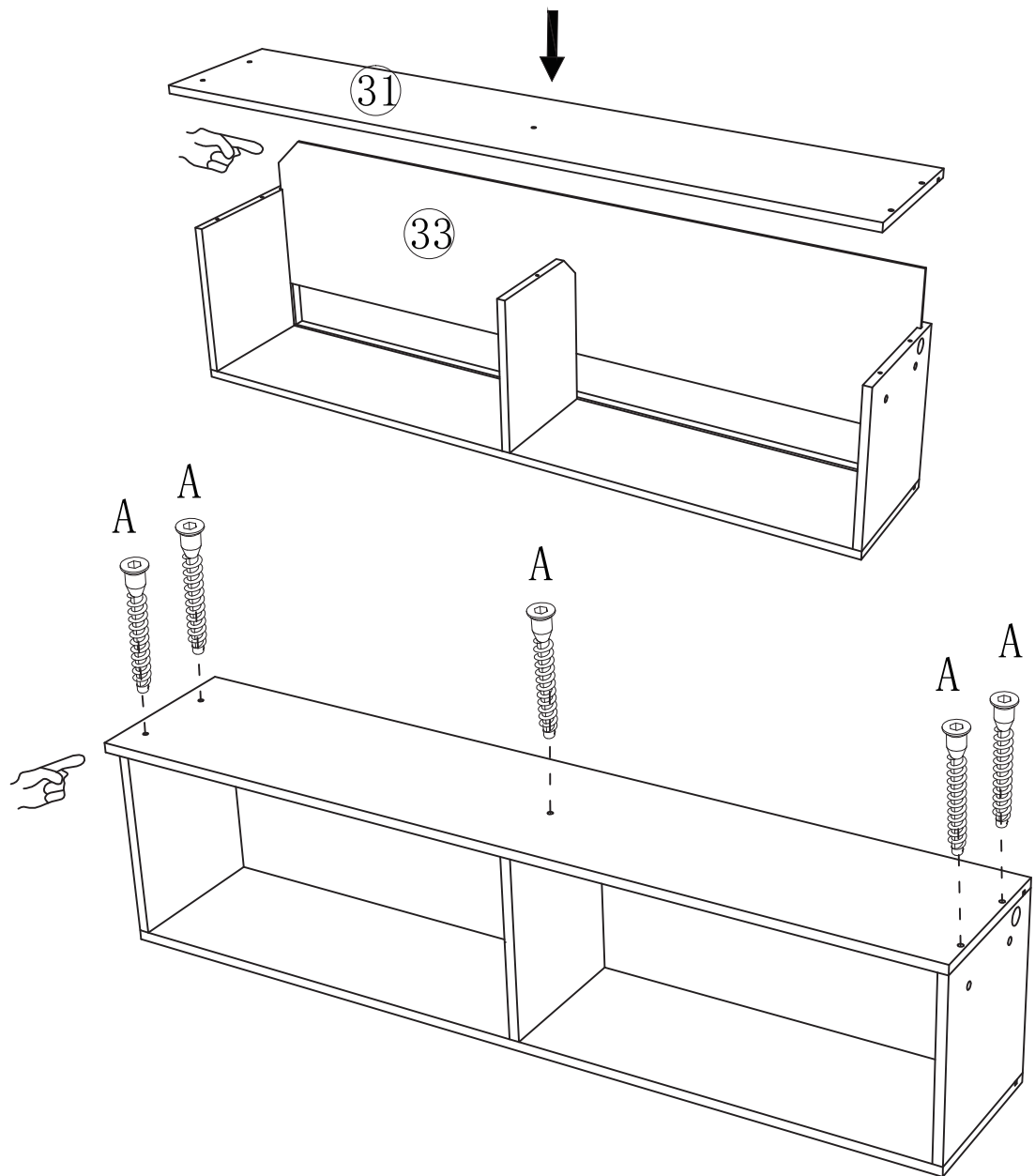
21

A  M5*40mm 6pcs



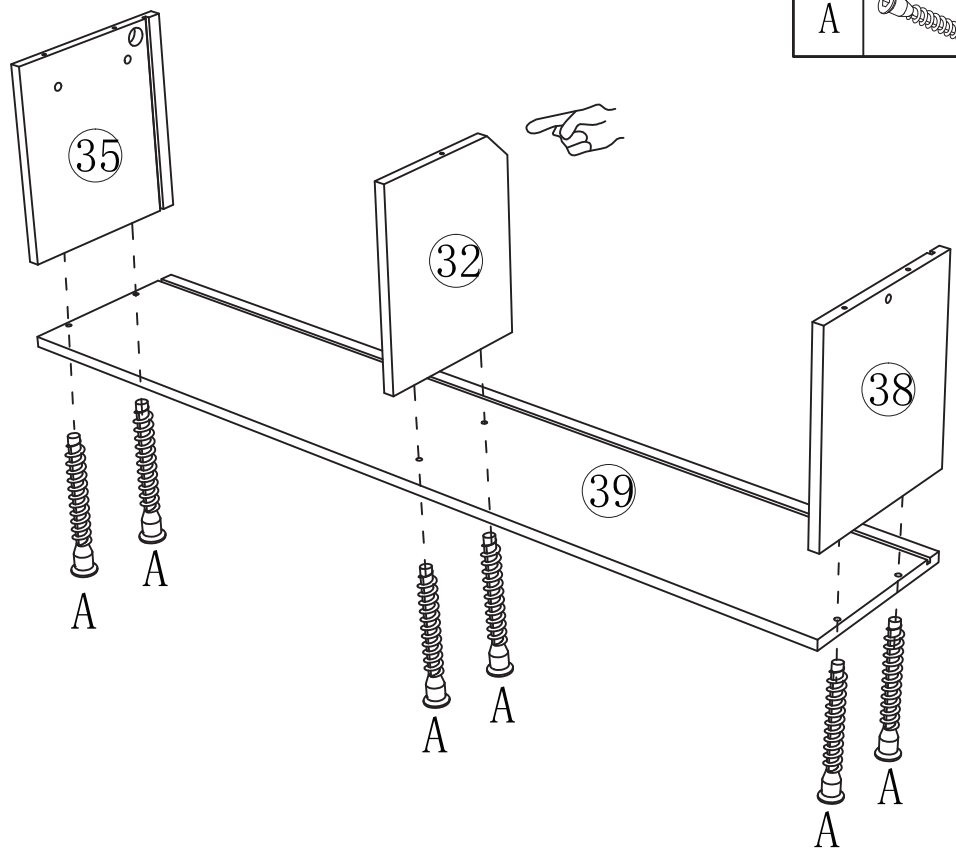
22

A  M5*40mm 5pcs



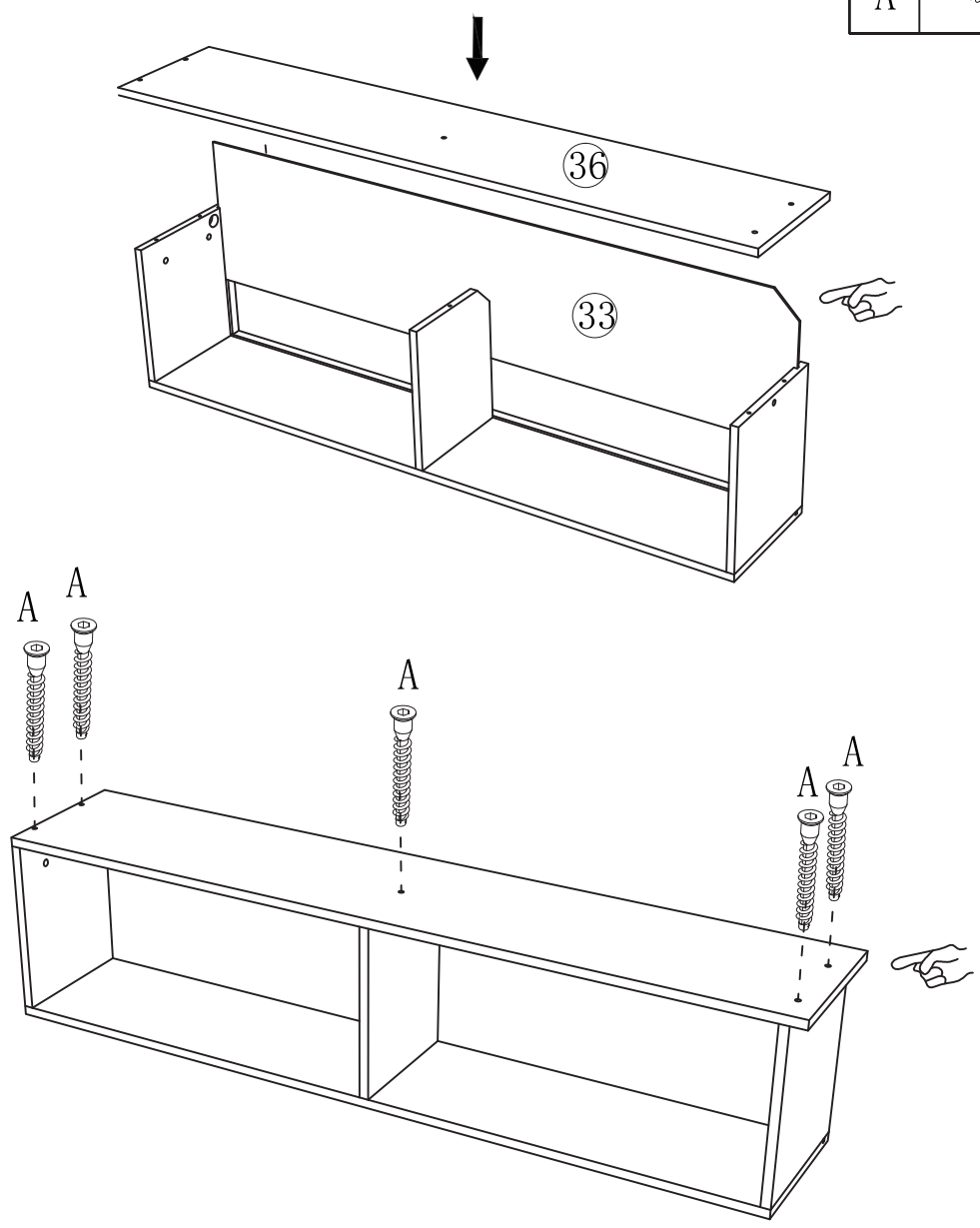
23

A  M5*40mm 6pcs

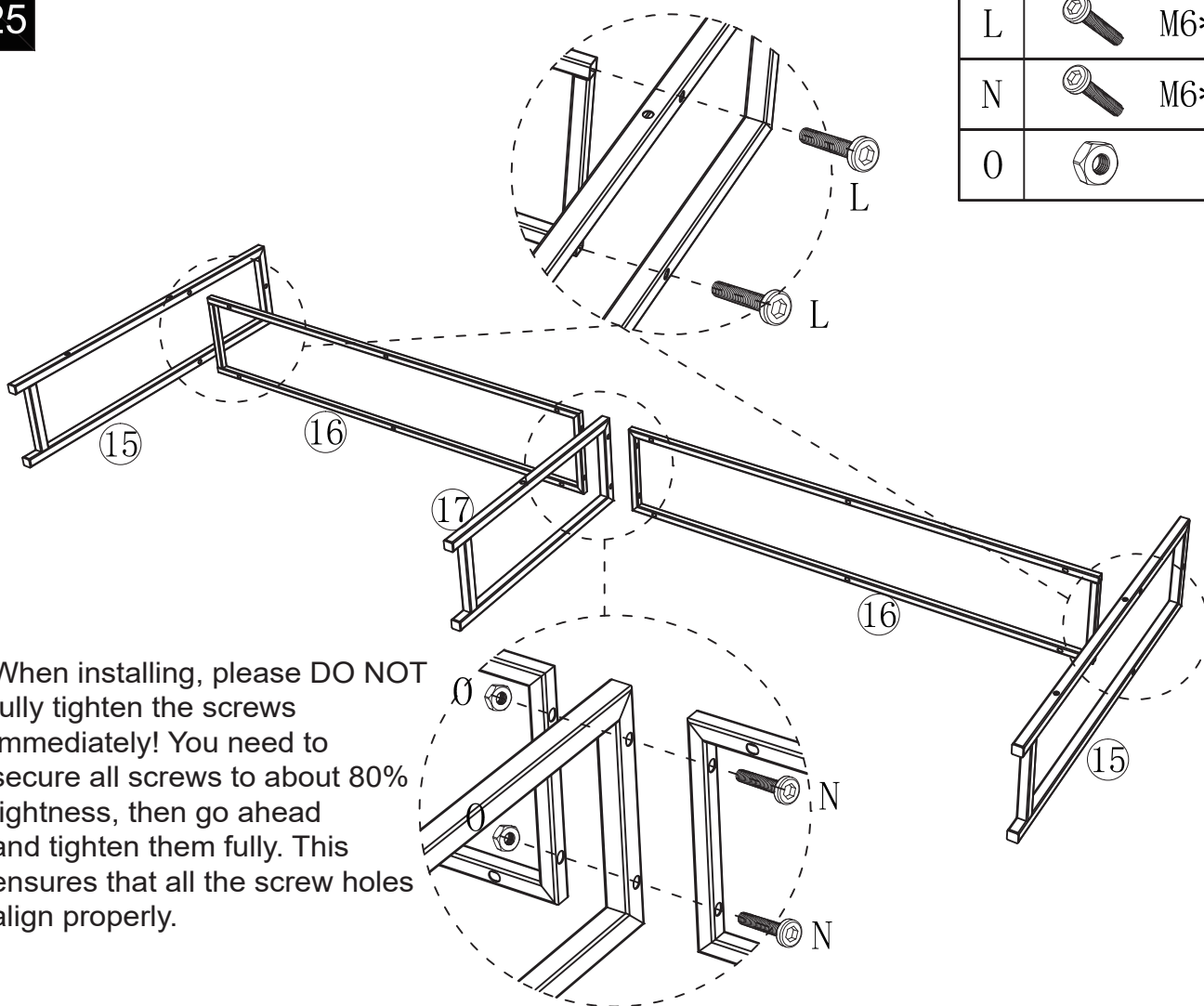





24

A  M5*40mm 5pcs



25

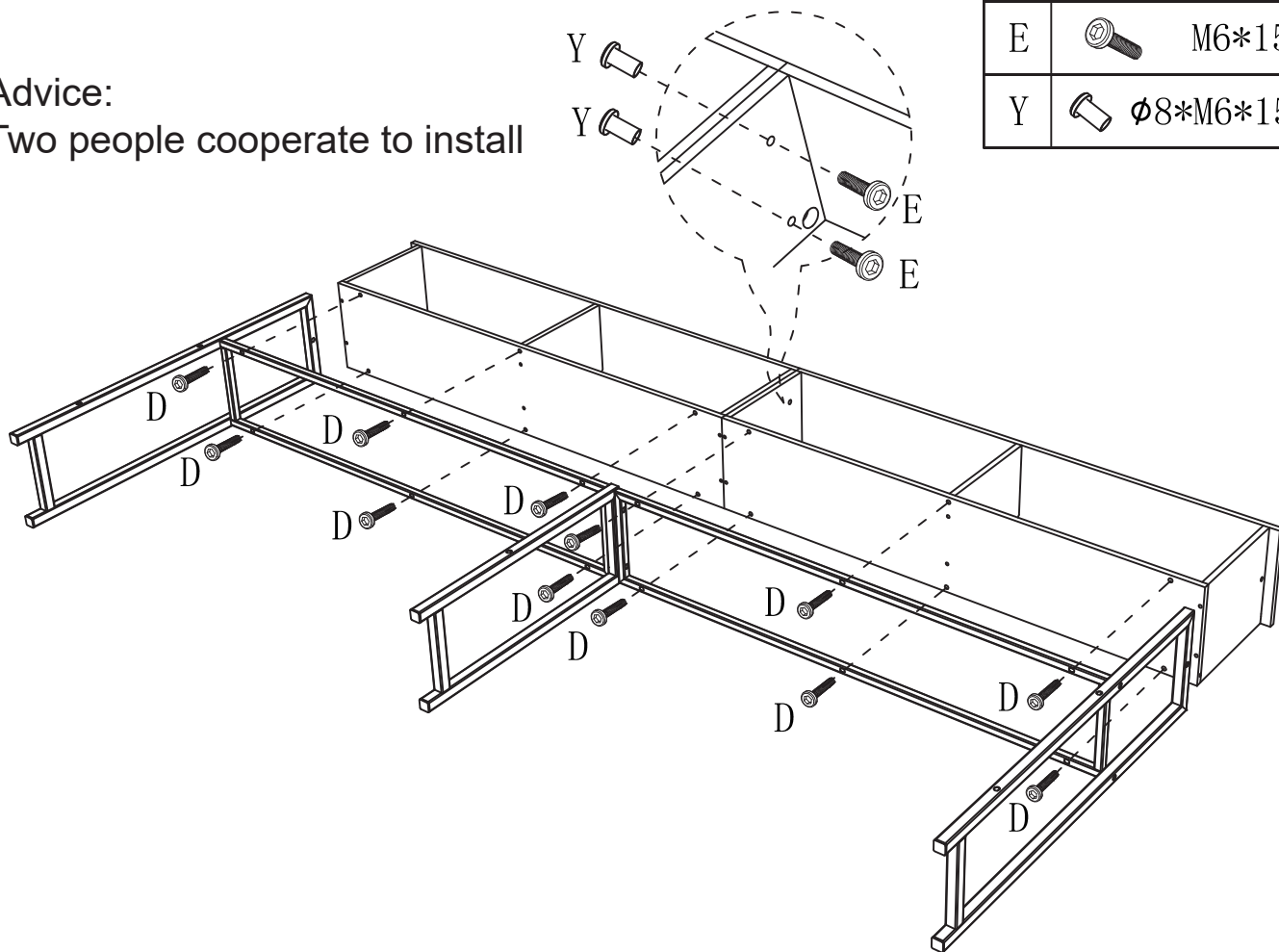





L		M6*40mm	4pcs
N		M6*60mm	2pcs
O		M6	2pcs

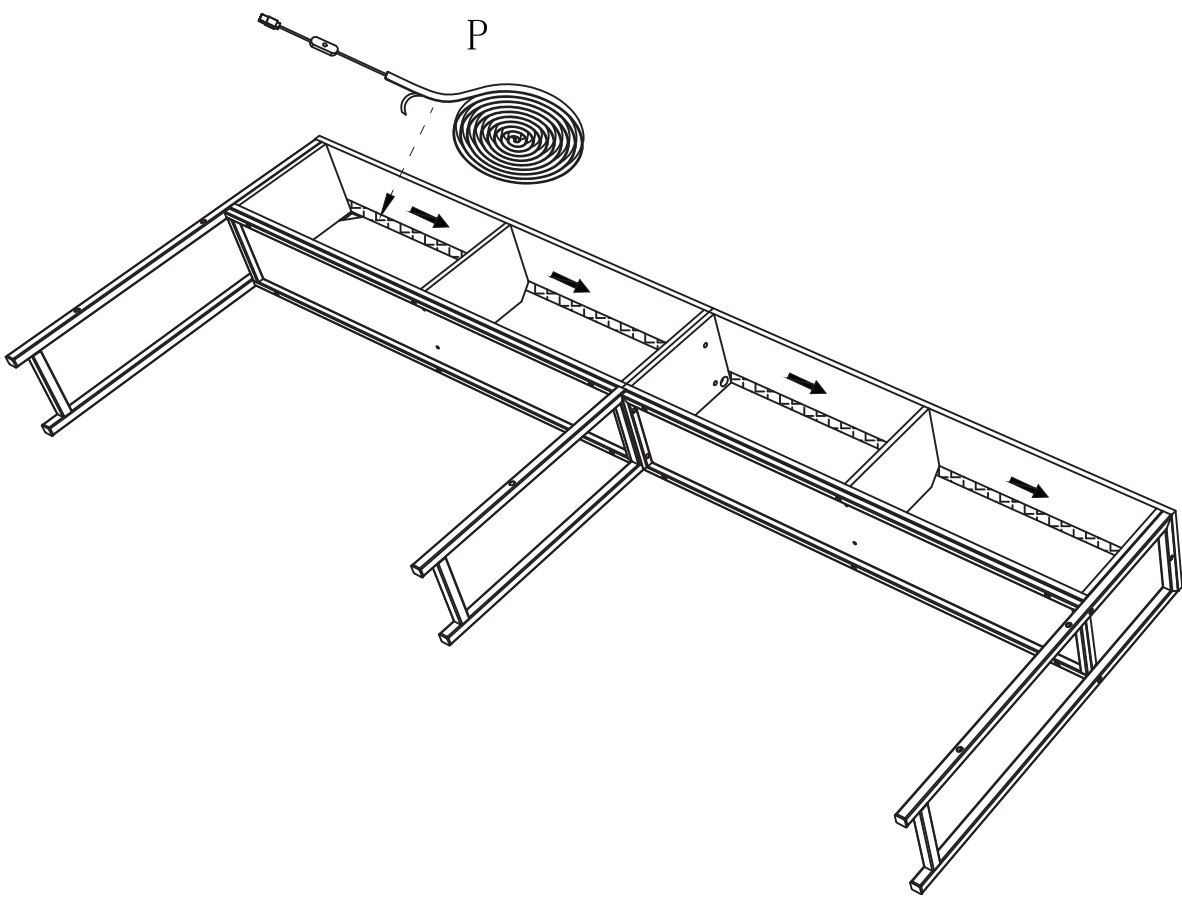
When installing, please DO NOT fully tighten the screws immediately! You need to secure all screws to about 80% tightness, then go ahead and tighten them fully. This ensures that all the screw holes align properly.

26

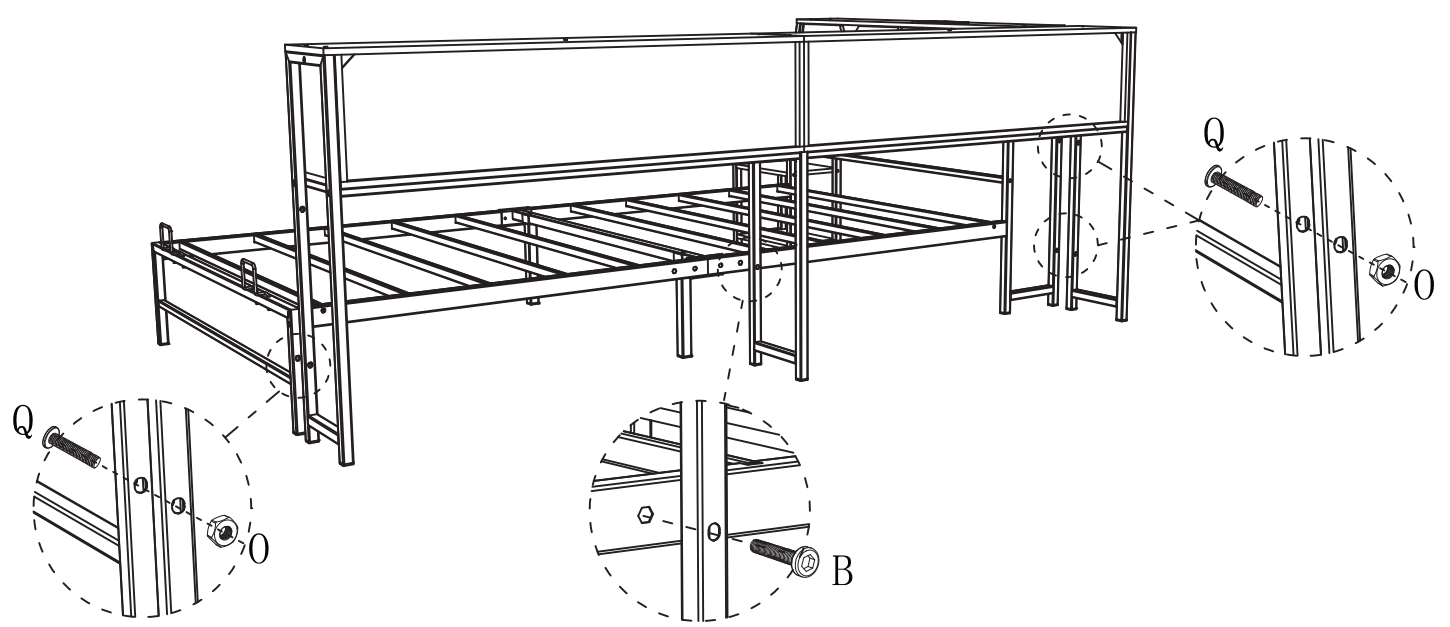
Advice:
Two people cooperate to install




D		M6*25mm	12pcs
E		M6*15mm	2pcs
Y		Ø8*M6*15mm	2pcs

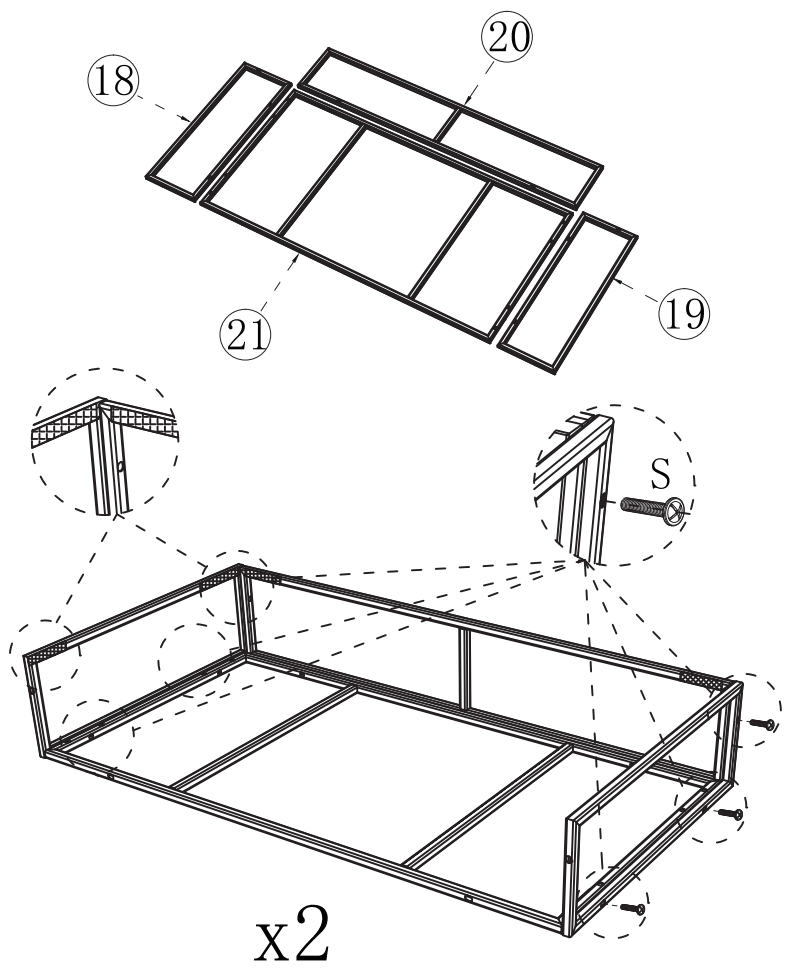


B		M6*28mm	1pcs
O		M6	3pcs
Q		M6*50mm	3pcs





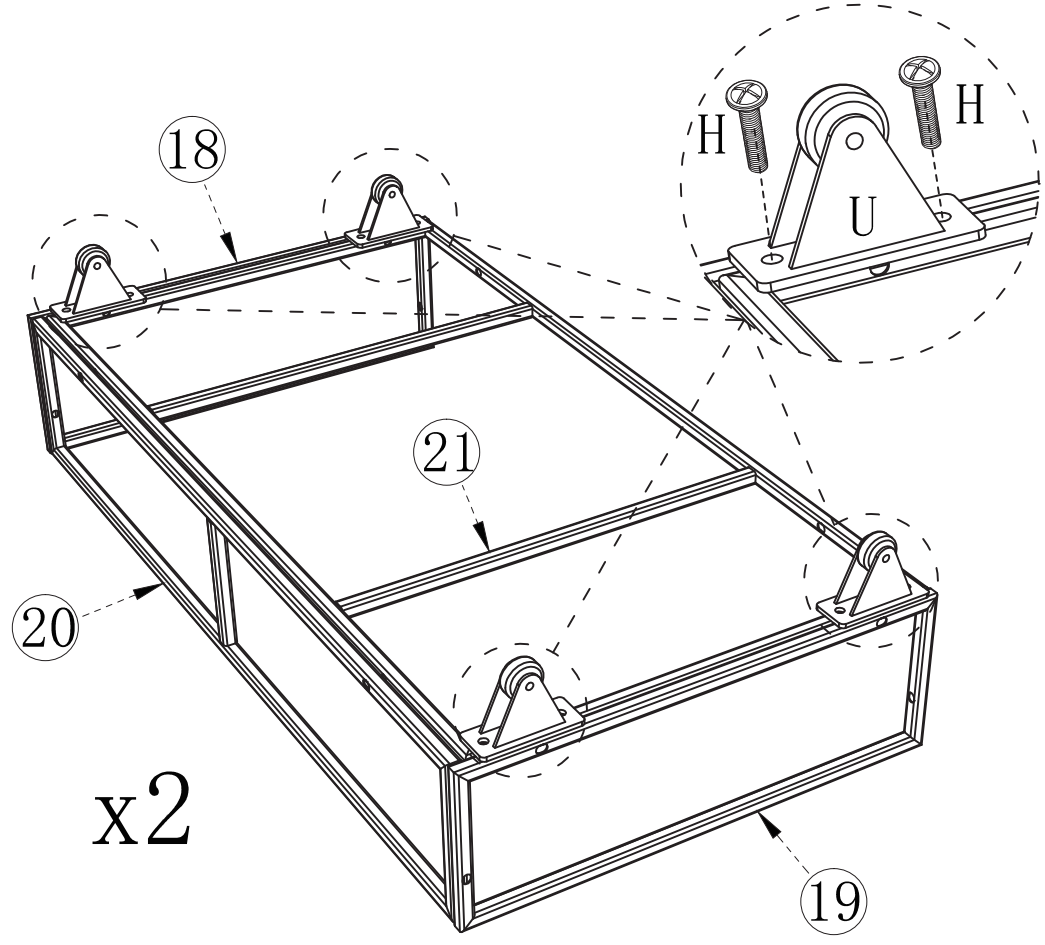
29

S		M4*18mm	12pcs
---	---	---------	-------




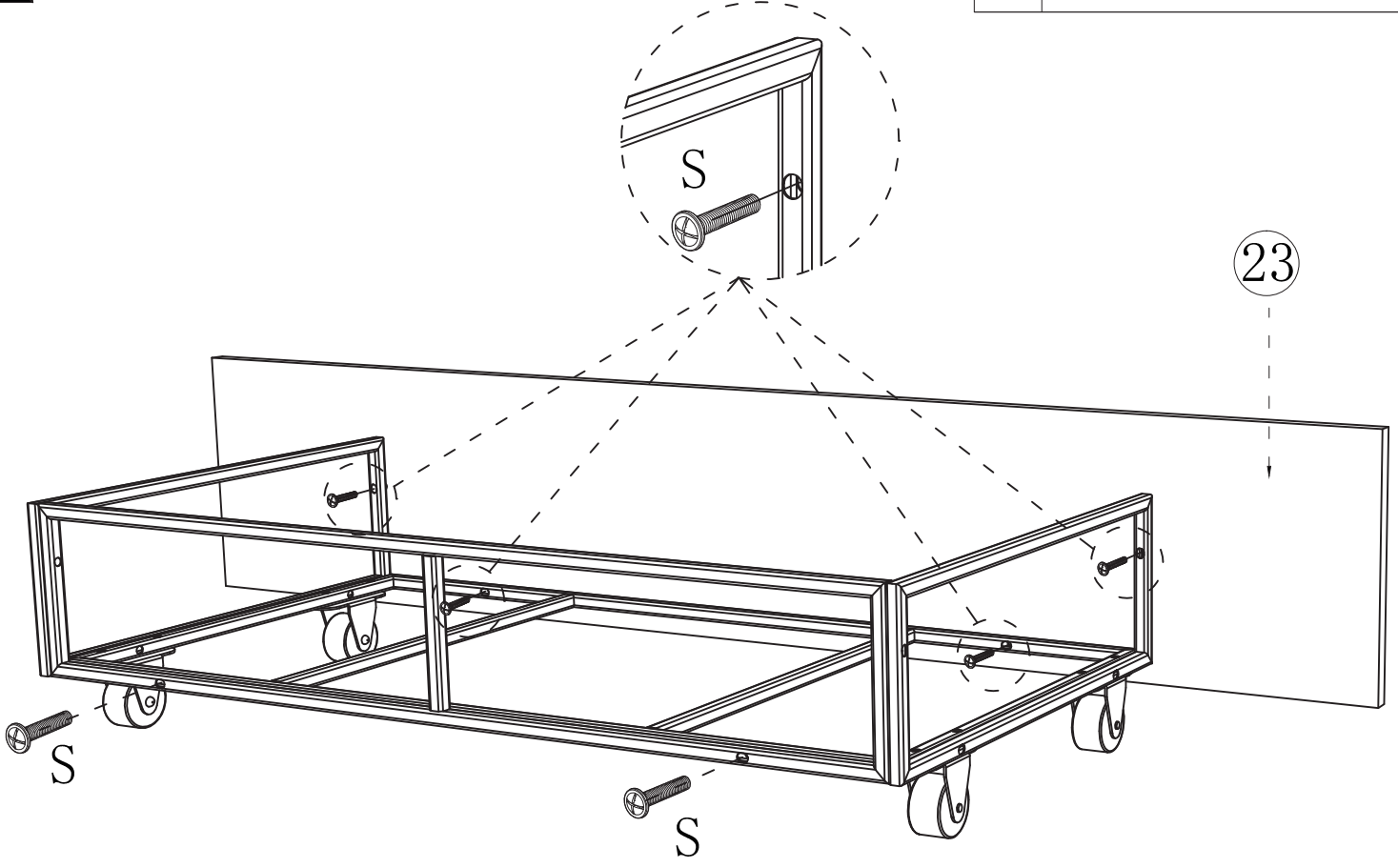
30

H		M4*14mm	16pcs
U		1.0	8pcs



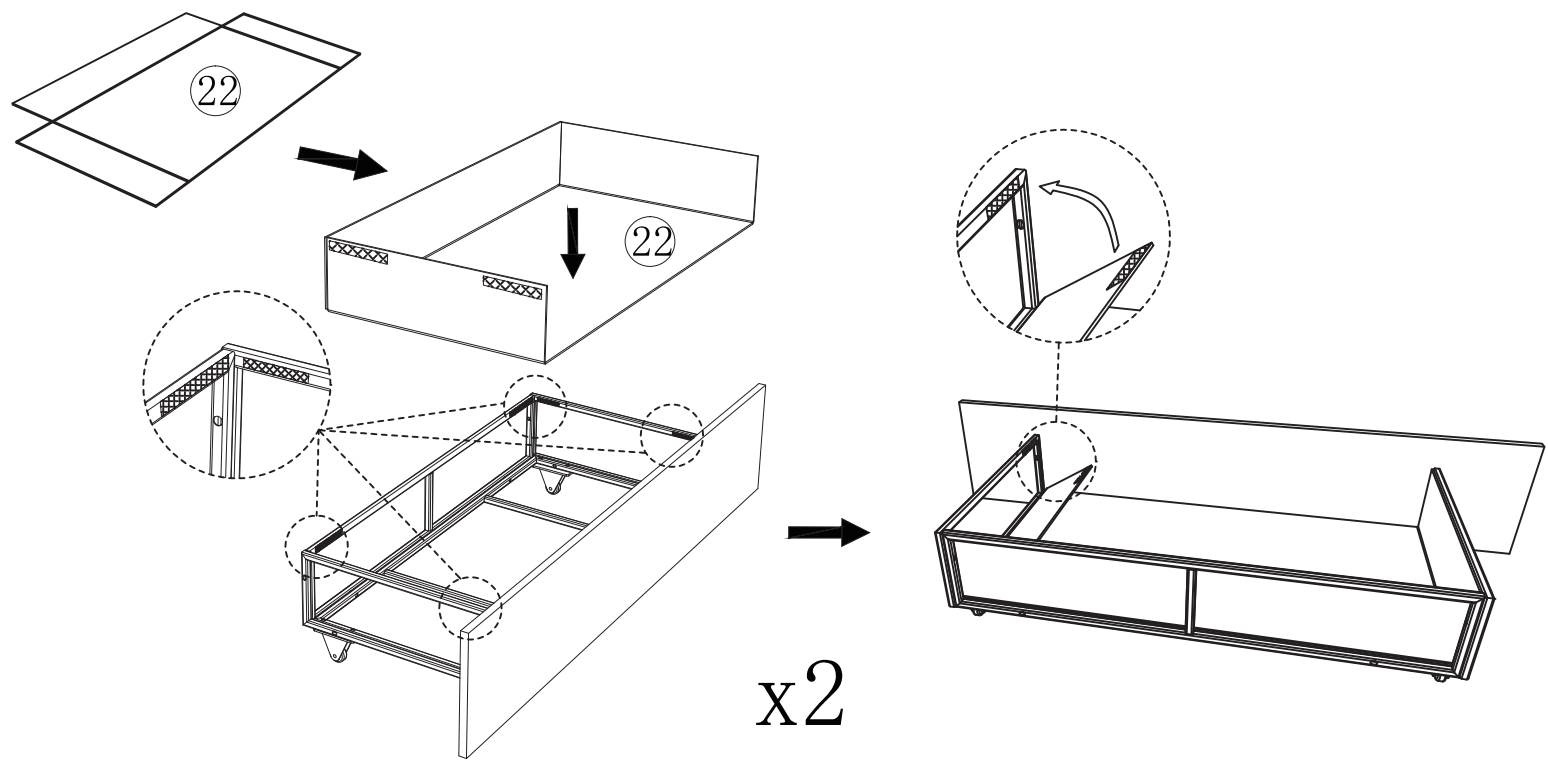
31

S  M4*18mm 12pcs

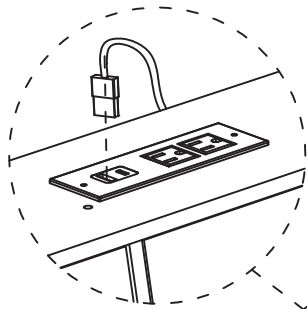
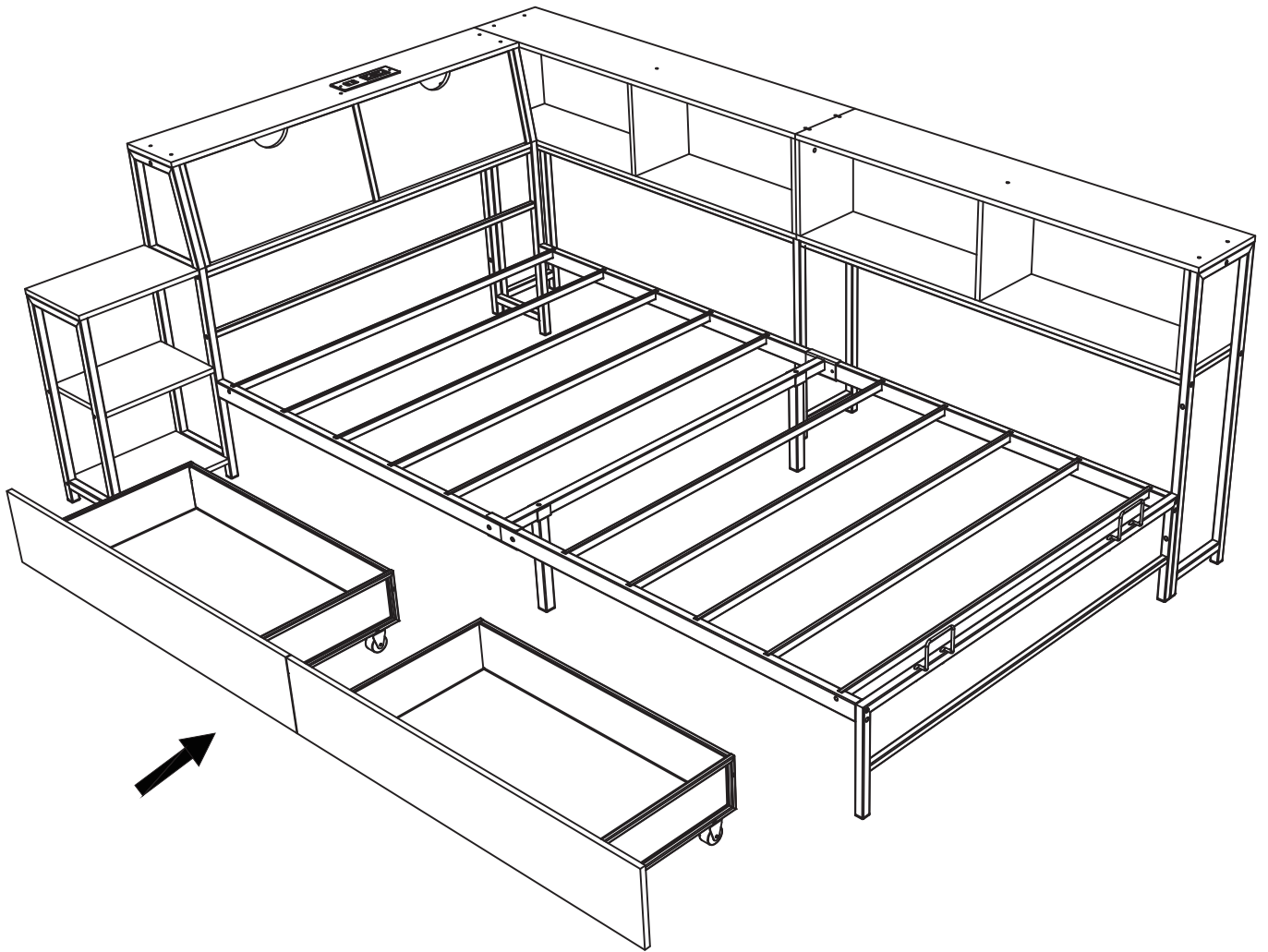


x2

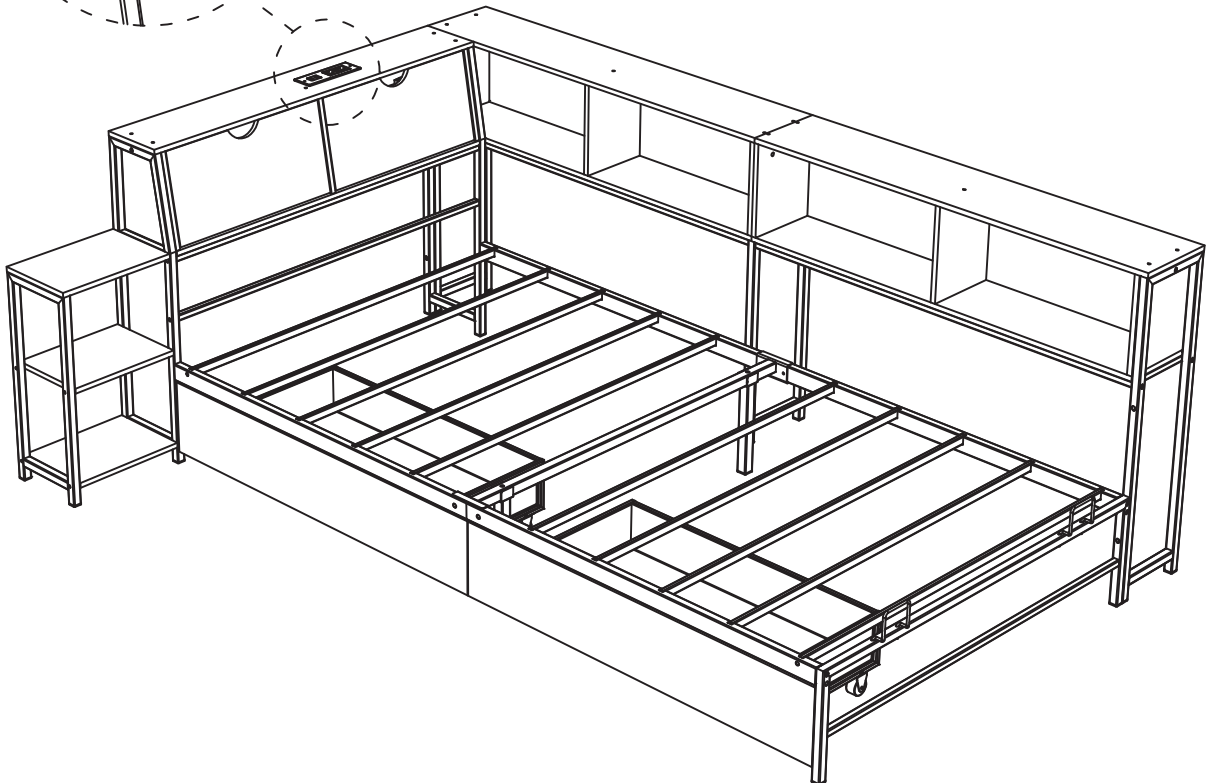
32



x2



Plug this LED light strip directly into the USB port.



AFTER-SALE SERVICE

If you have any suggestions for our products or find that the products have quality problems, please contact us first, our after-sales team will reply you within 24 hours, and we will do our best to give you solutions until you are satisfied.

Guaranteed Customer Service

Your shopping experience is very important to us!
Feel unsatisfied? **Contact us!**
Have any questions? **Contact us!**

Wanna share your experience with our products?
Share your pictures with us.

Any suggestions? **Contact us!**
We gotcha back!