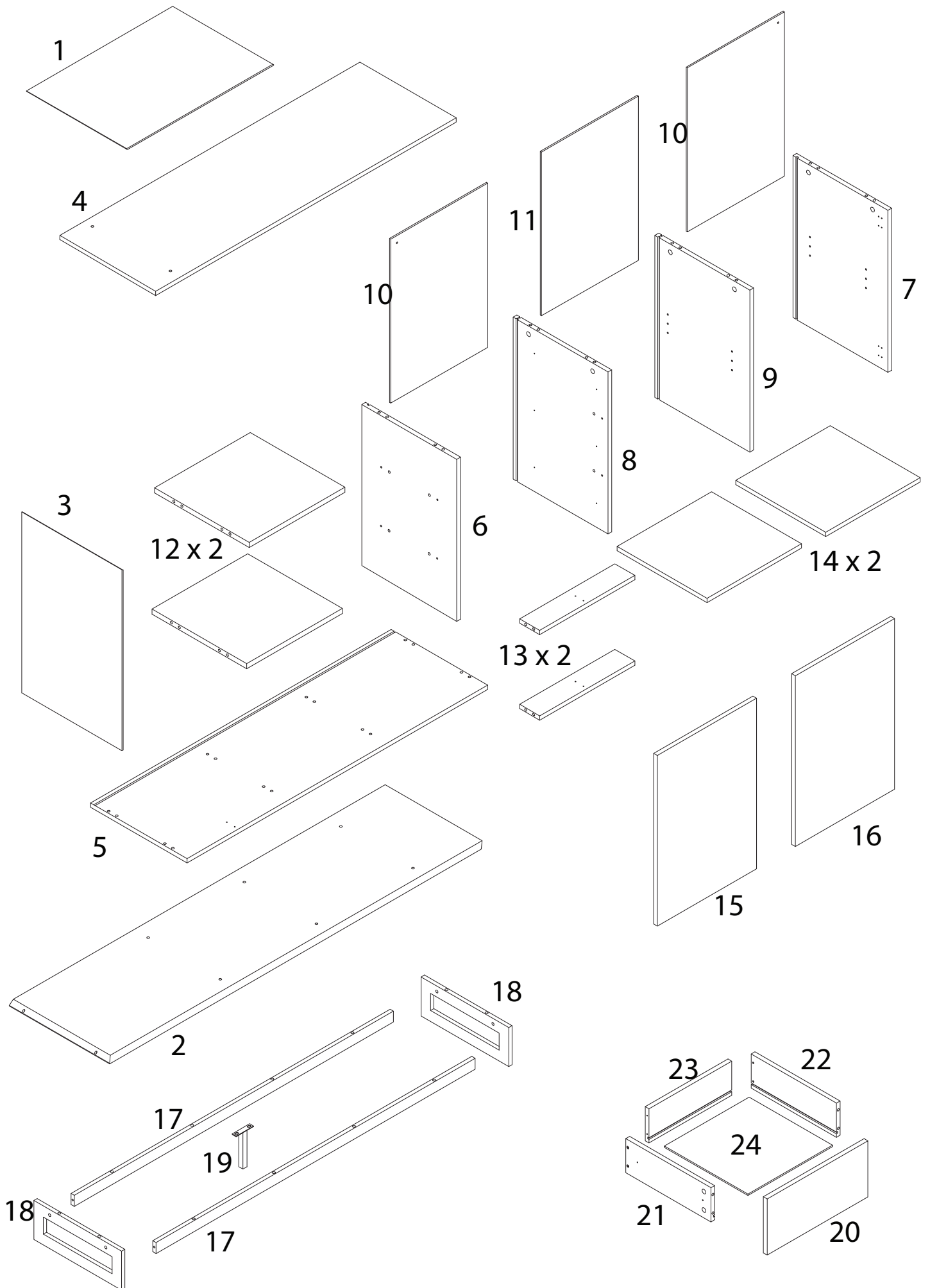
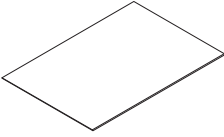
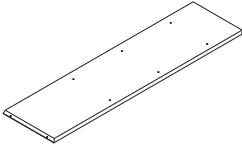

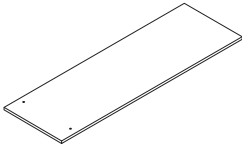
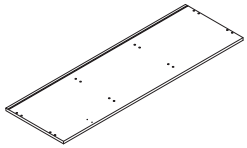
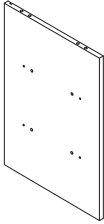
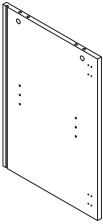
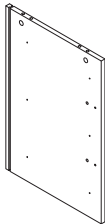
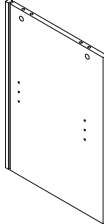


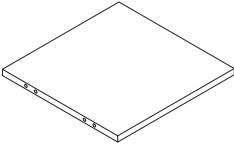
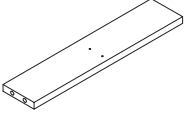
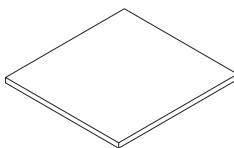

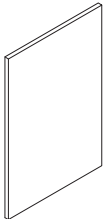
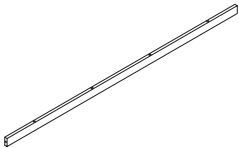
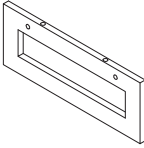
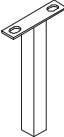
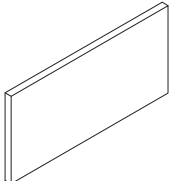
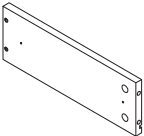
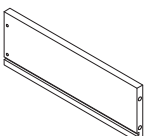
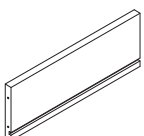
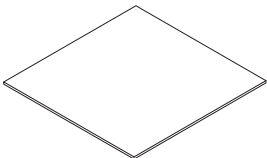


90'



2



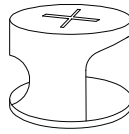
1  x 1	2  x 1	3  x 1	4  x 1	5  x 1
6  x 1	7  x 1	8  x 1	9  x 1	10  x 2
11  x 1	12  x 2	13  x 2	14  x 2	15  x 1
16  x 1	17  x 2	18  x 2	19  x 1	20  x 3
21  x 3	22  x 3	23  x 3	24  x 3	

A



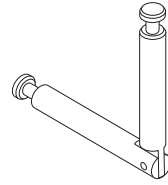
x 32

B



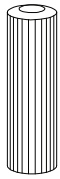
x 40

C



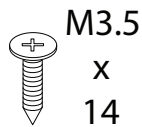
x 4

D



x 28

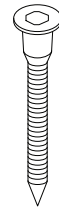
E



M3.5
x
14

x 75

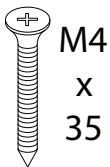
F



M7
x
40

x 8

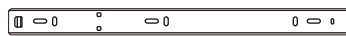
G



M4
x
35

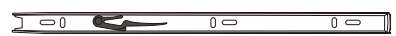
x 12

H



x 6

I



x 6

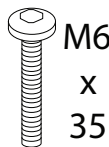
J



M6
x
25

x 8

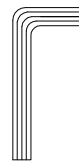
K



M6
x
35

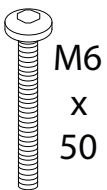
x 4

L



x 1

M



M6
x
50

x 12

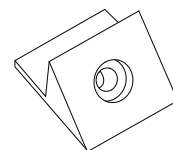
N



M6
x
12

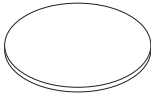
x 2

O



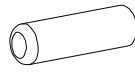
x 12

P



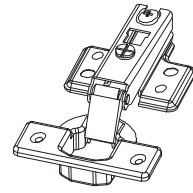
x 20

Q



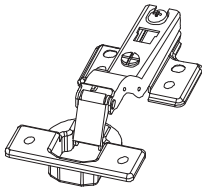
x 8

R



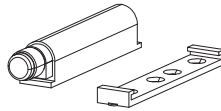
x 2

S



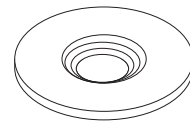
x 2

T



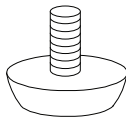
x 5

U



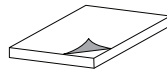
x 5

V



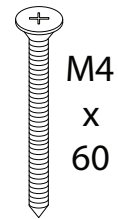
x 1

W



x 4

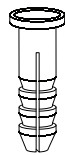
X



M4
x
60

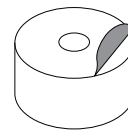
x 2

Y



x 2

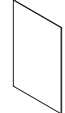
Z



x 2

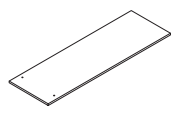
1

3



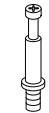
x 1

4



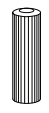
x 1

A

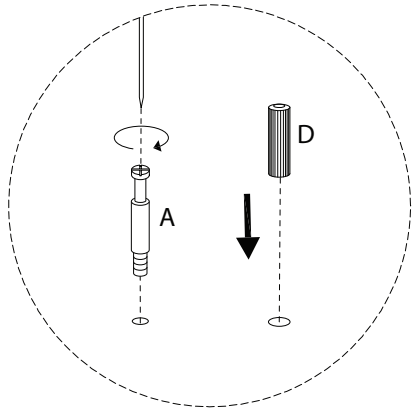
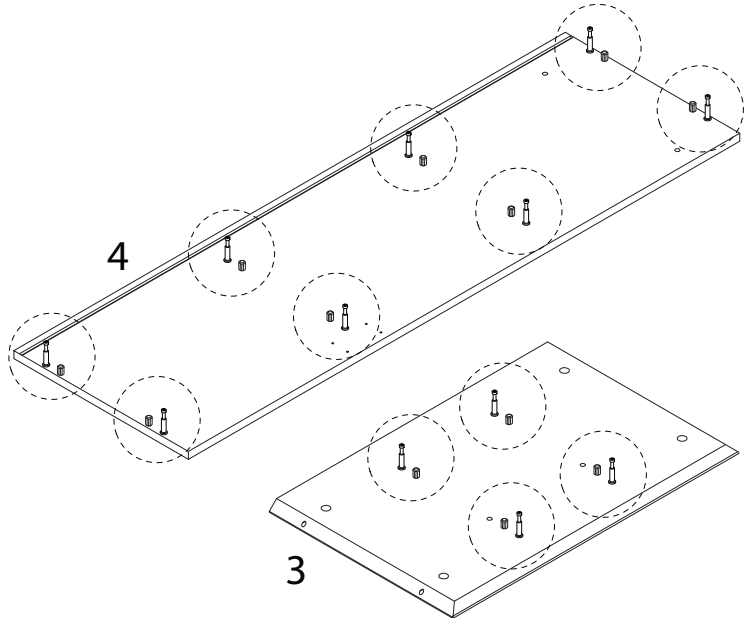


x 12

D

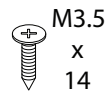


x 8



2

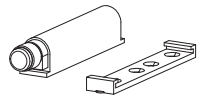
E



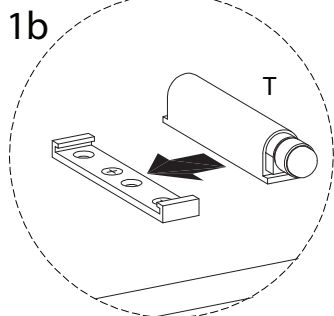
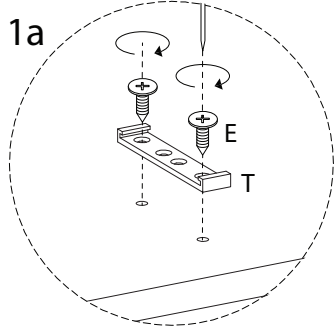
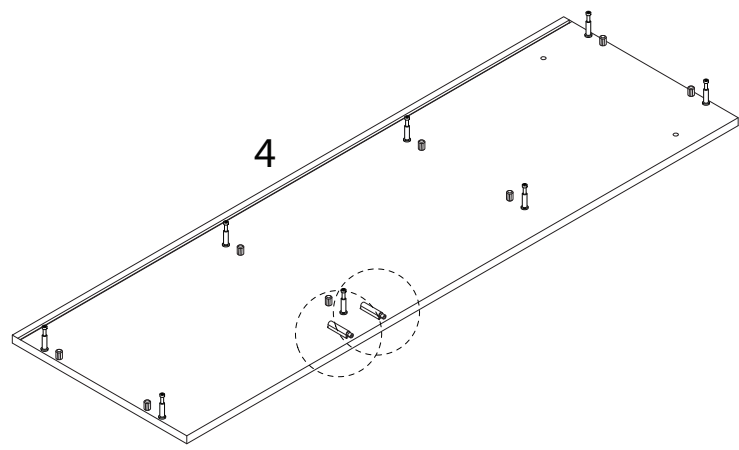
M3.5
x 14

x 4

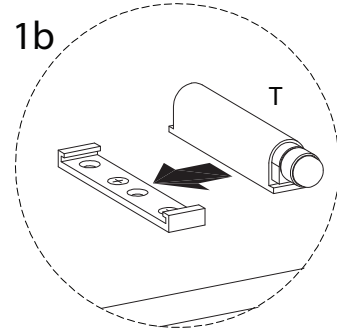
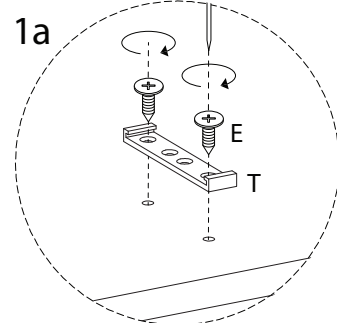
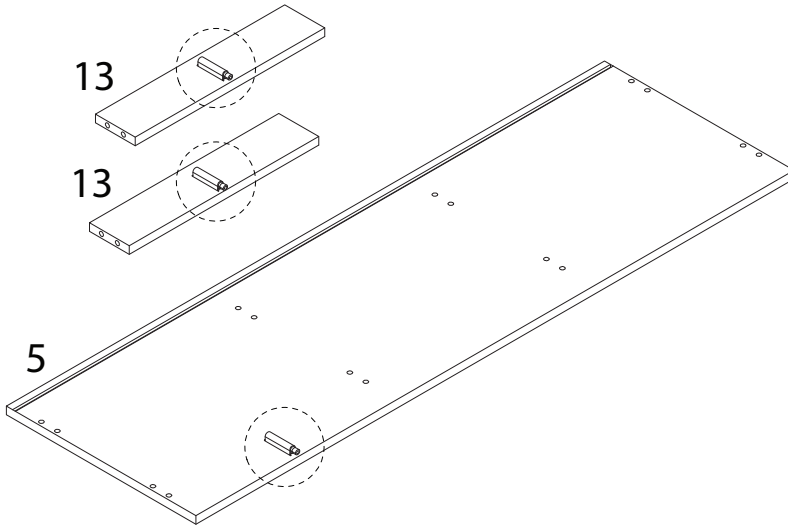
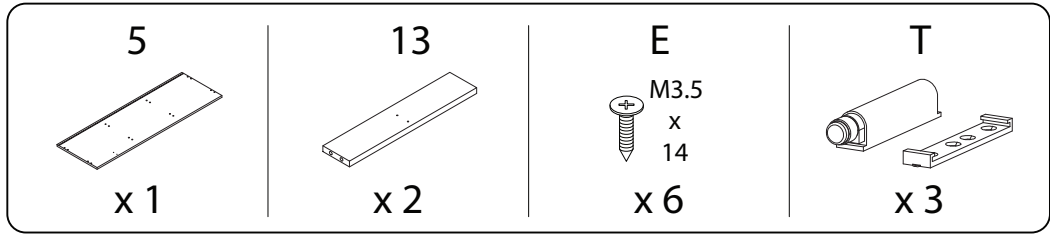
T



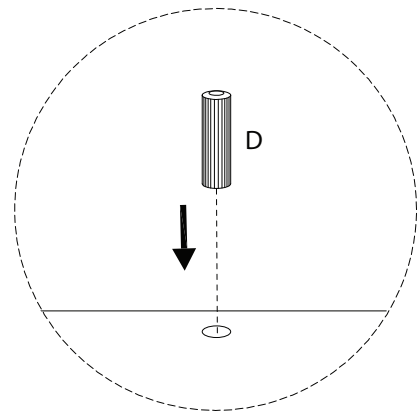
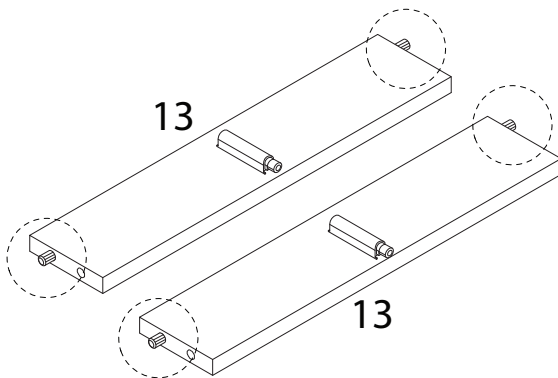
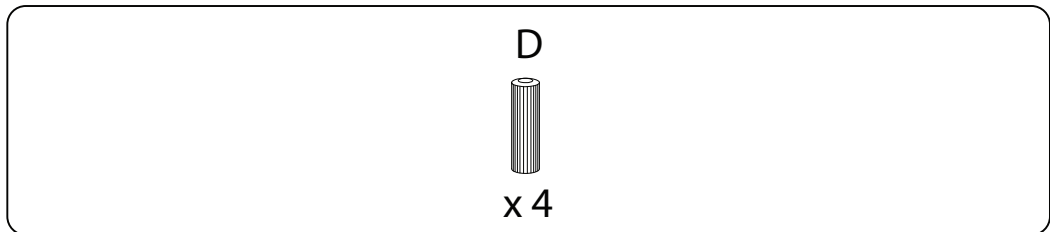
x 2



3



4



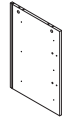
5

6



x 1

8

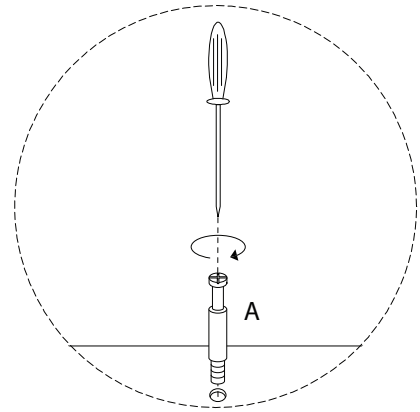
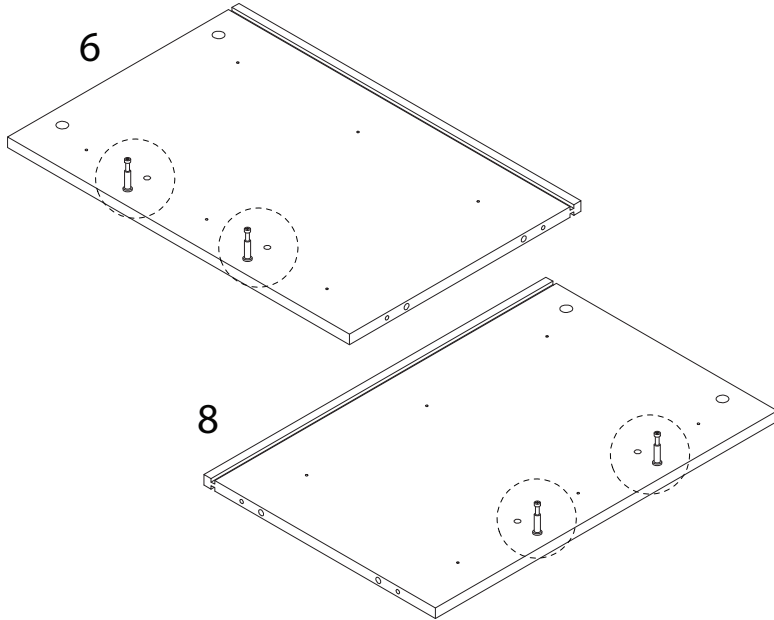


x 1

A



x 4



6

A

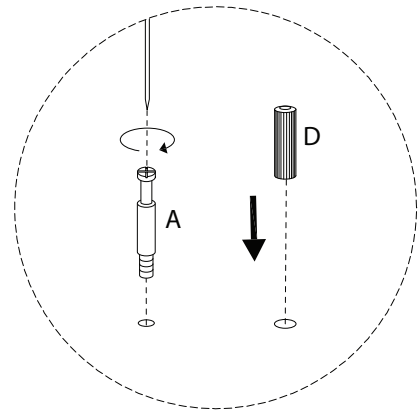
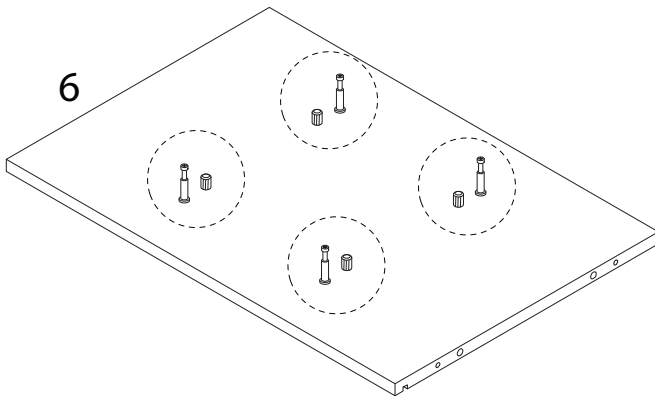


x 4

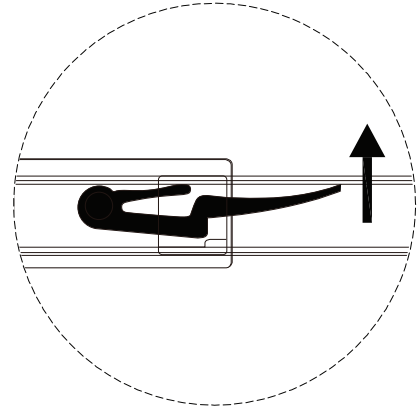
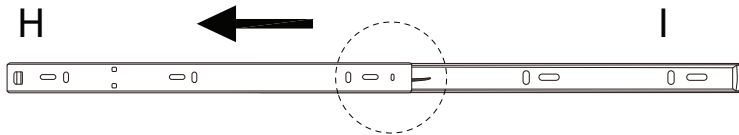
D



x 4



!

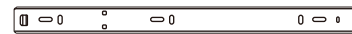


7

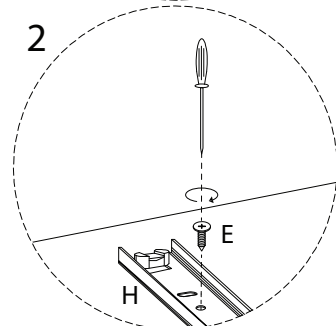
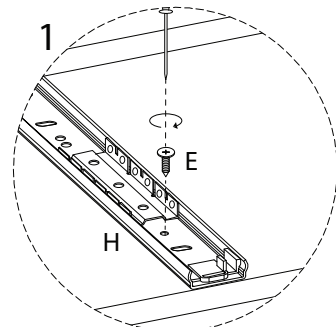
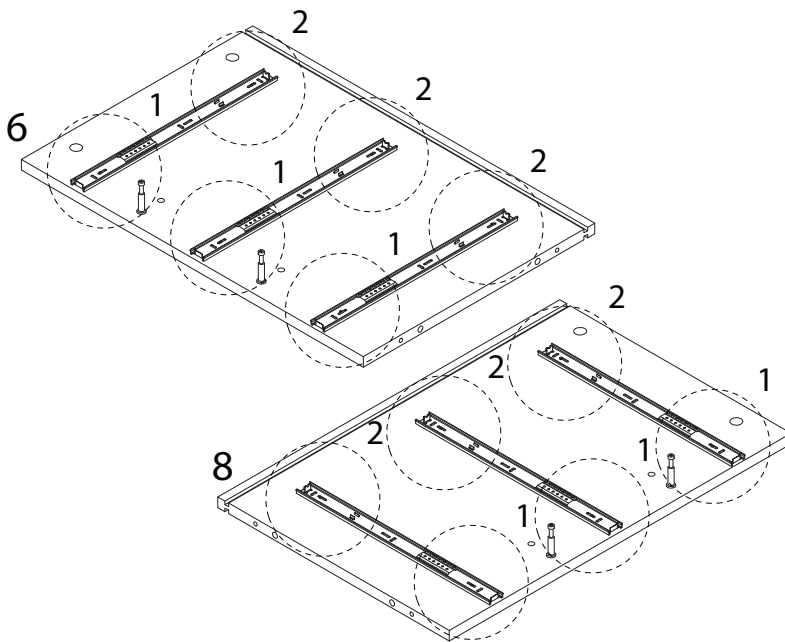
E

M3.5
x
14
x 12

H



x 6

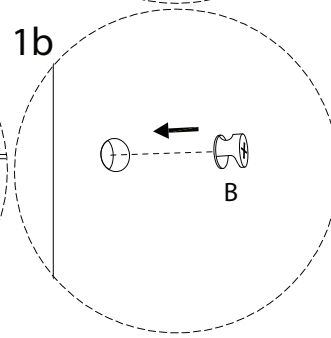
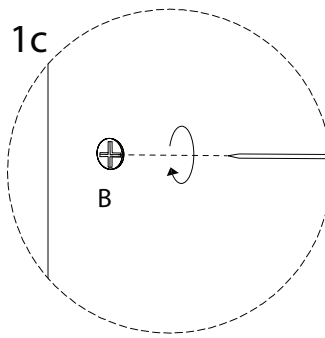
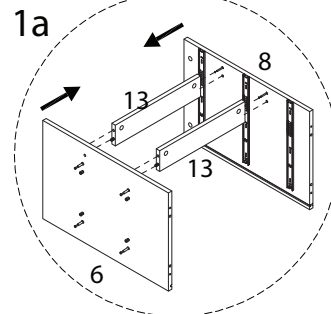
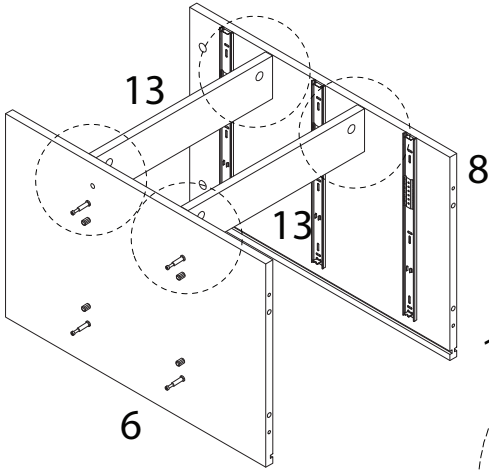


8

B



x 4



9

7

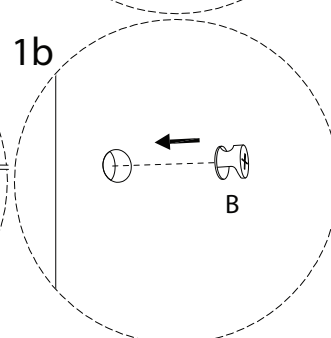
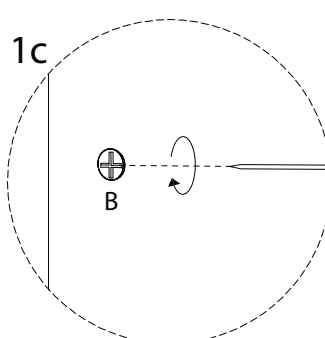
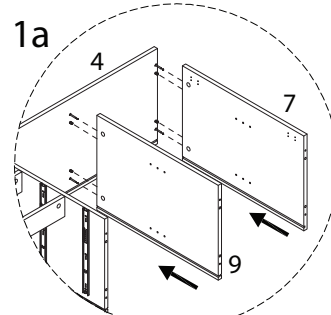
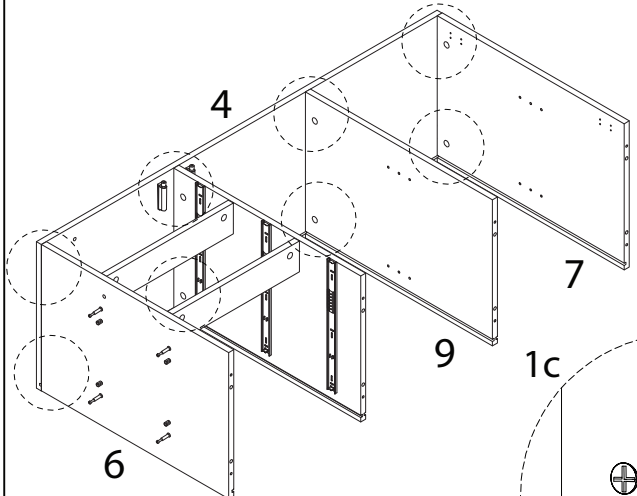
x 1

9

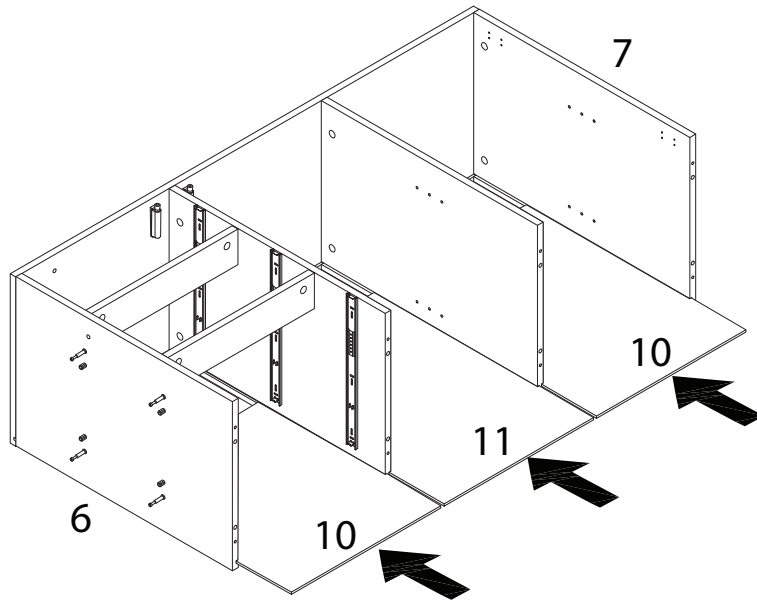
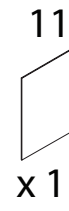
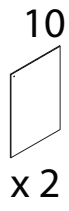
x 1

B

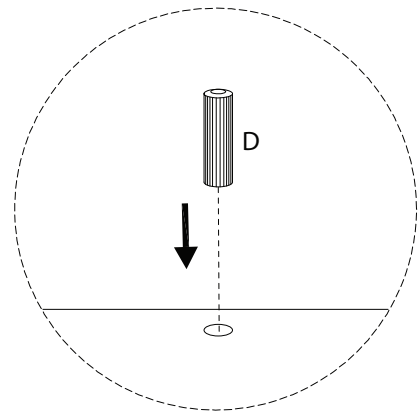
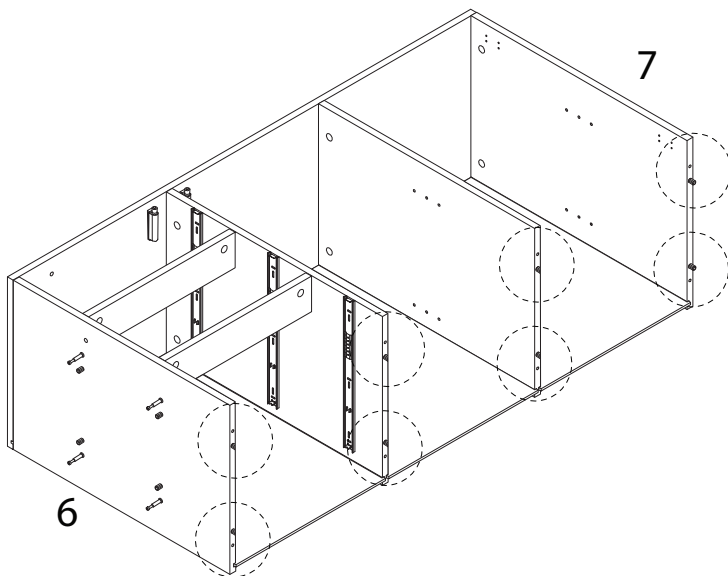
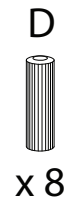
x 8



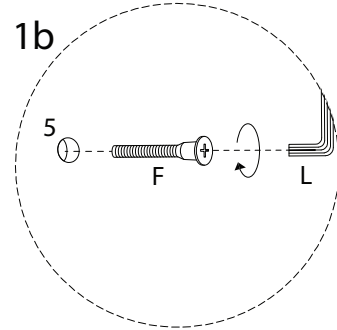
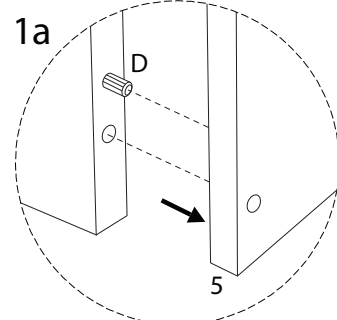
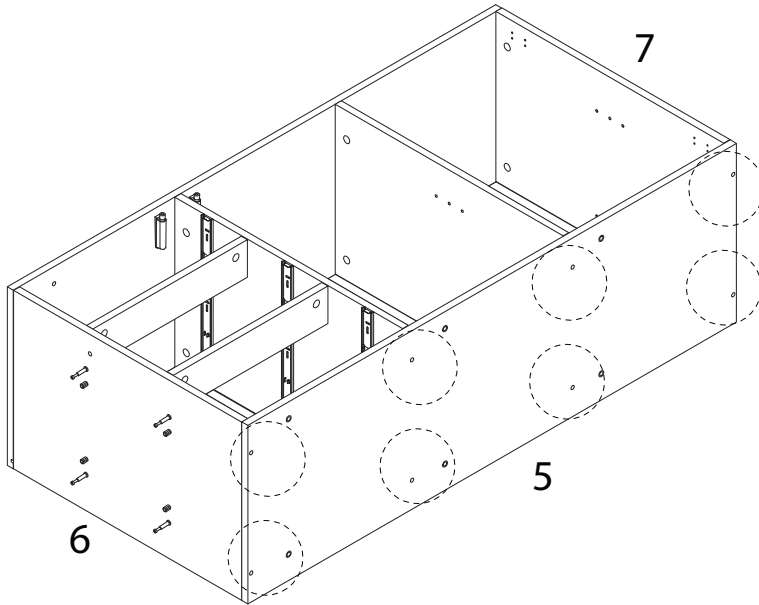
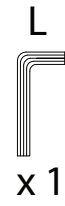
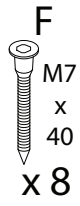
10



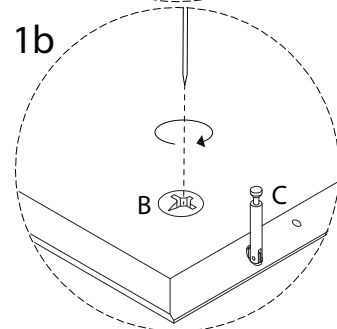
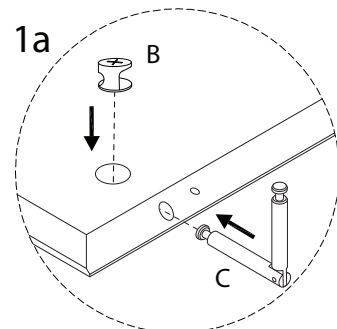
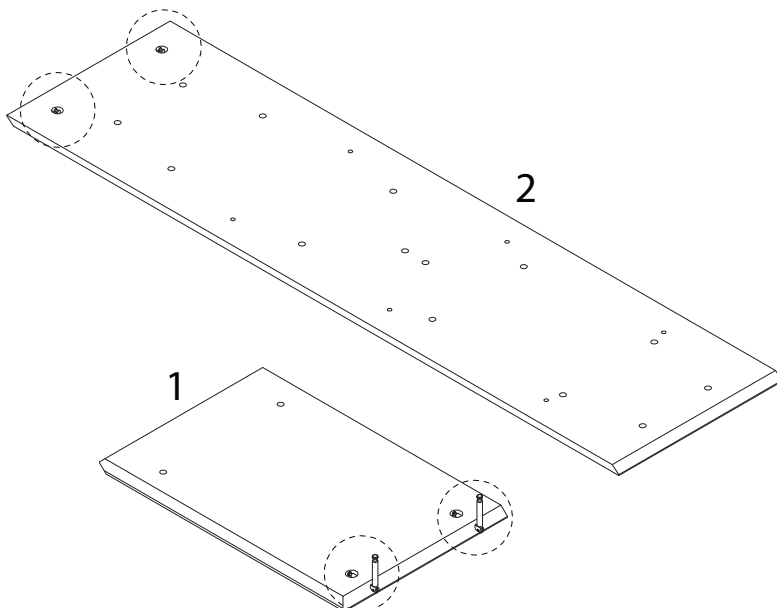
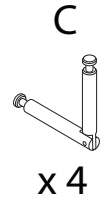
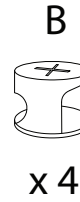
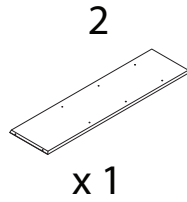
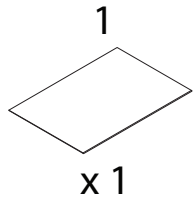
11



12



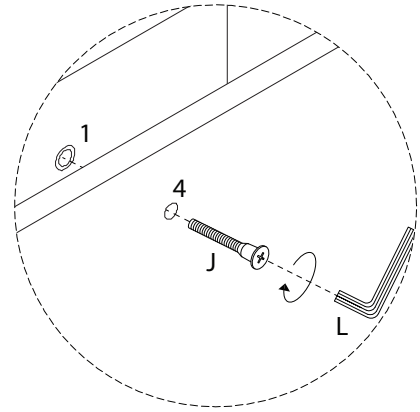
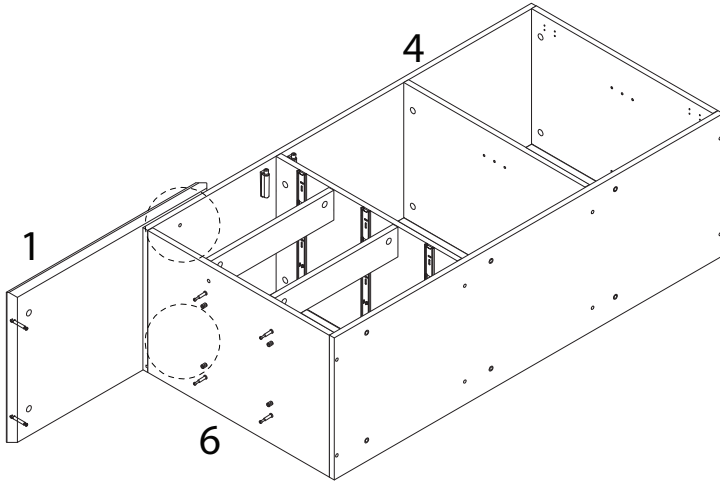
13



14

J
M6
x
25
x 2

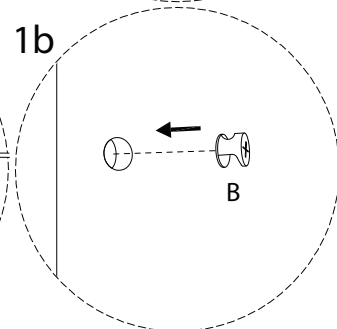
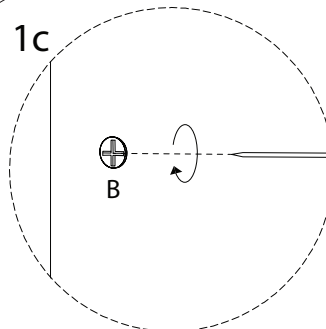
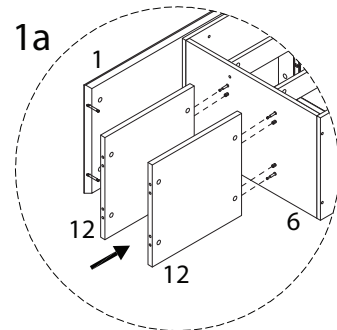
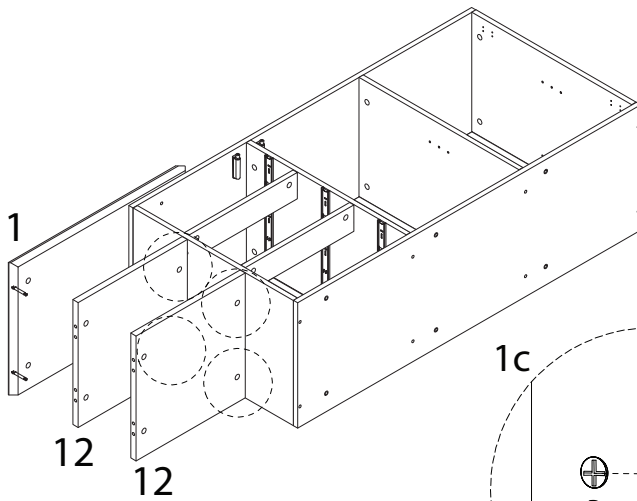
L
x 1



15

12
x 2

B
x 4

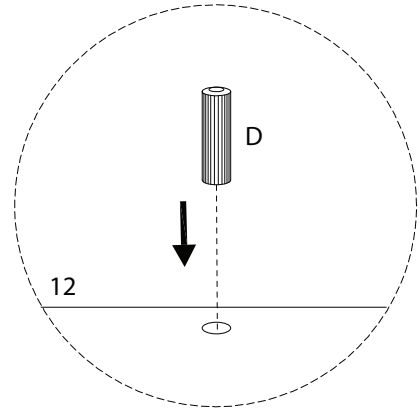
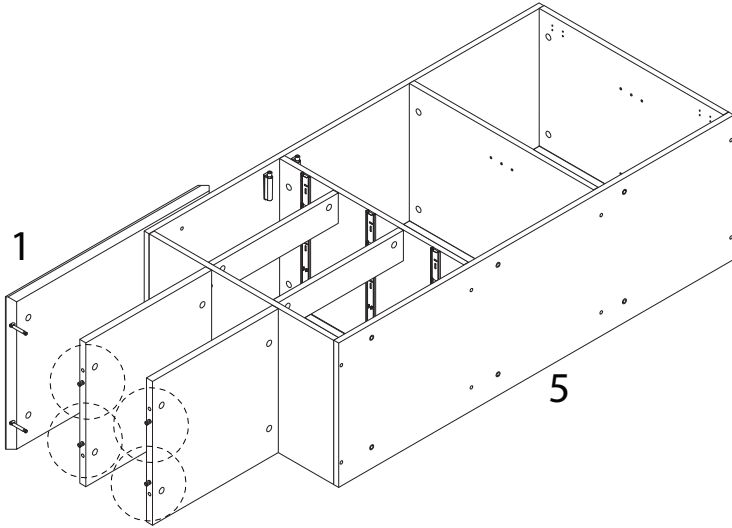


16

D



x 4

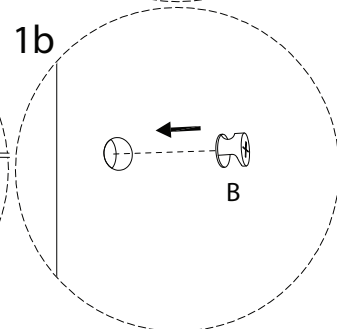
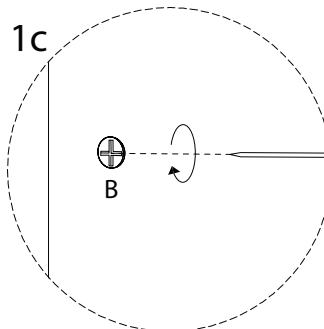
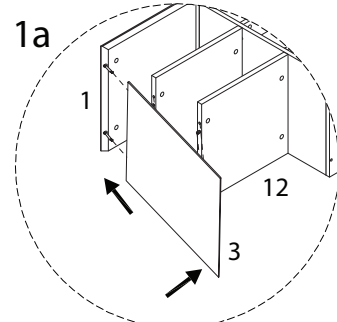
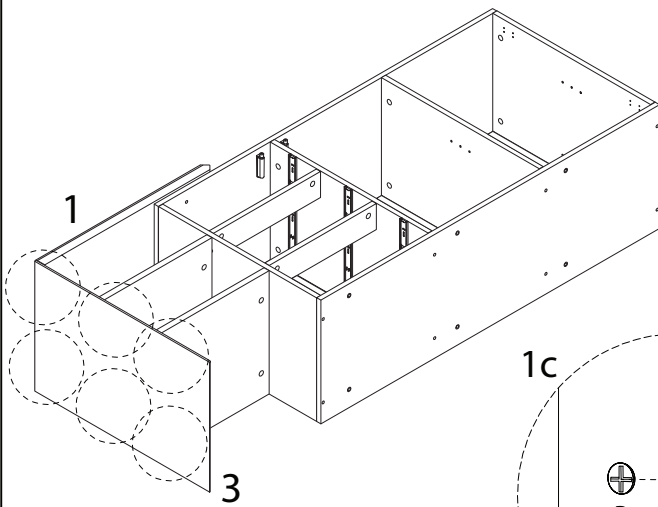


17

B



x 6

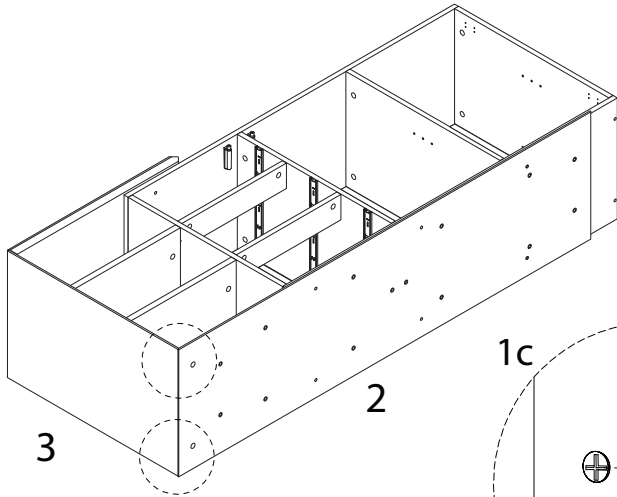


18

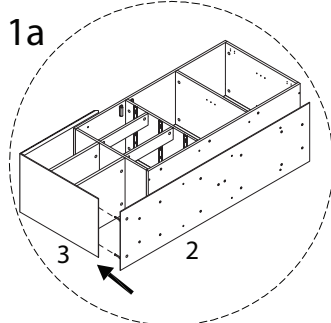
B



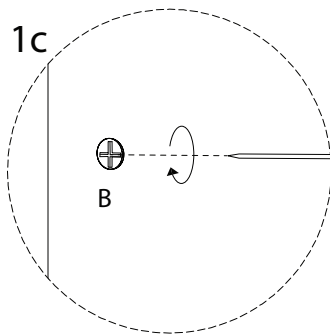
x 2



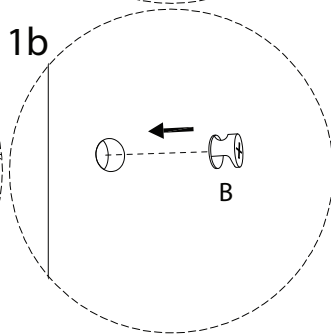
1a



1c



1b



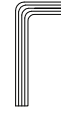
19

J

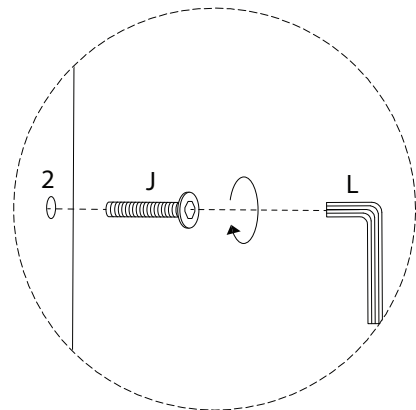
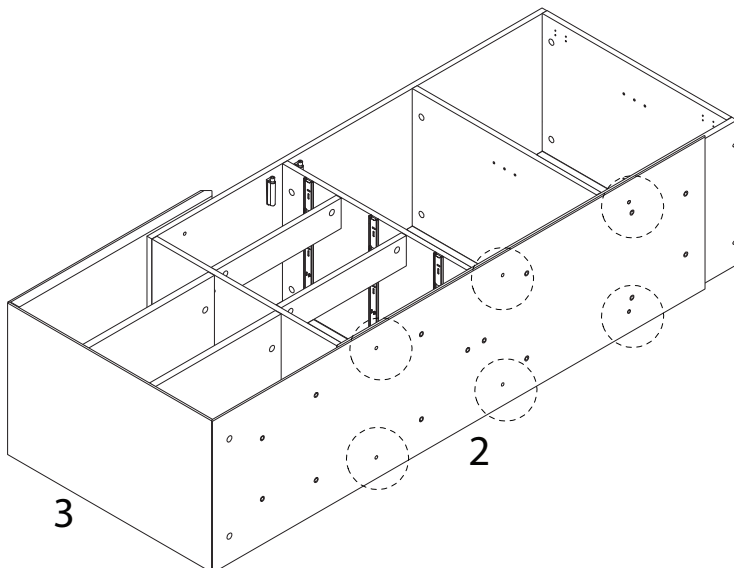


x 6

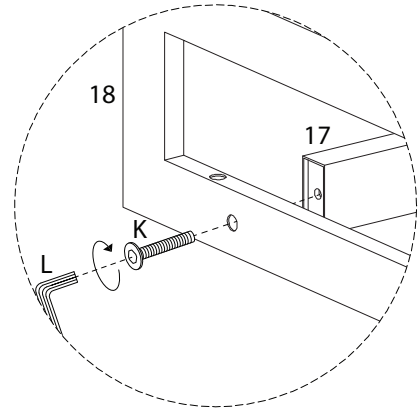
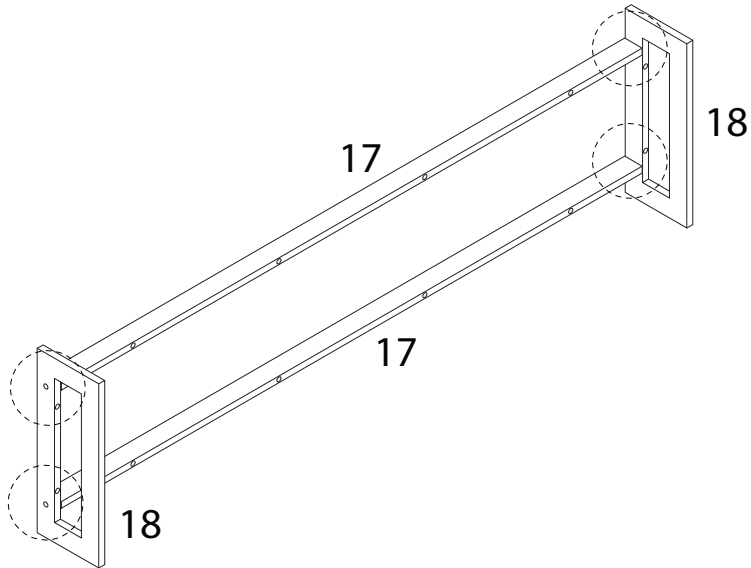
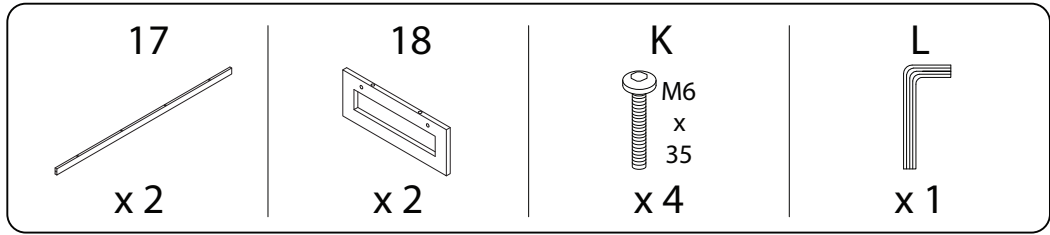
L



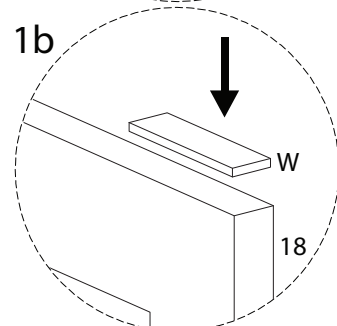
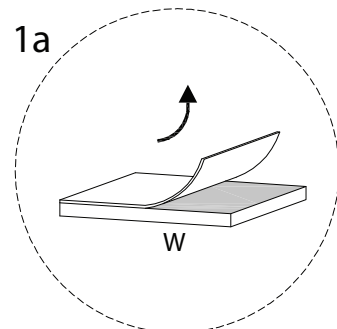
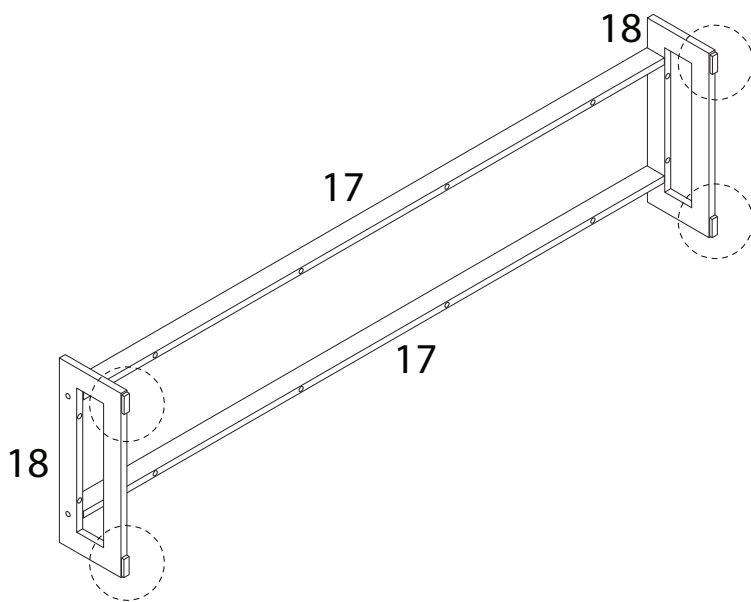
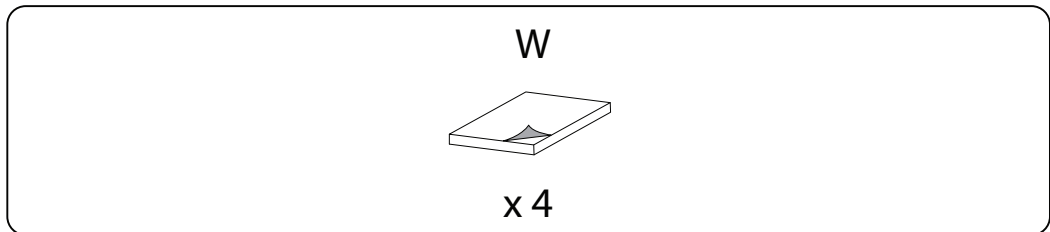
x 1



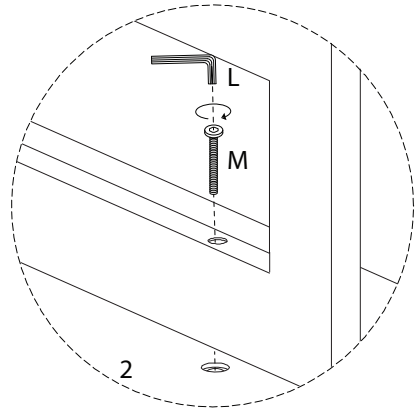
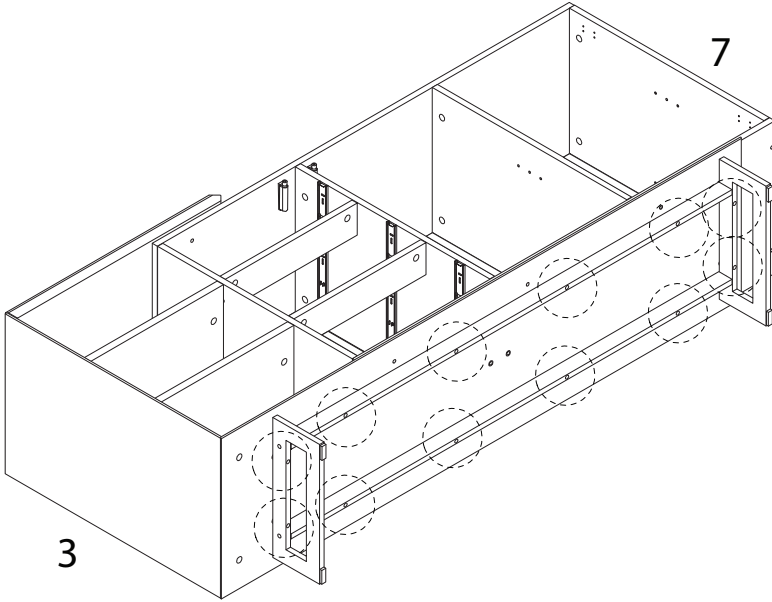
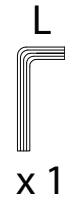
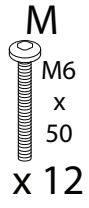
20



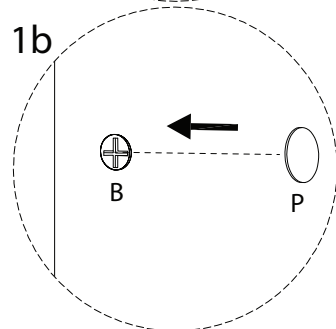
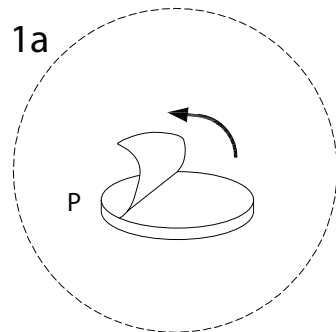
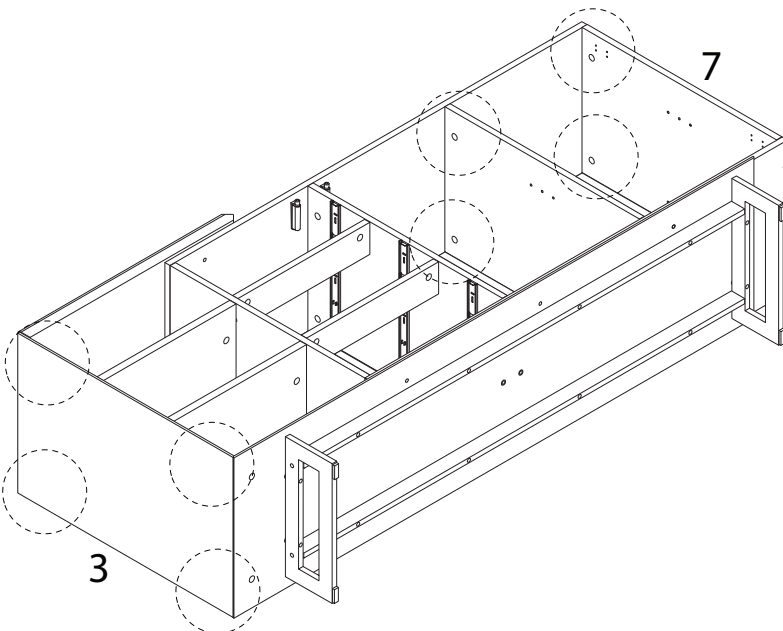
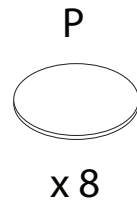
21



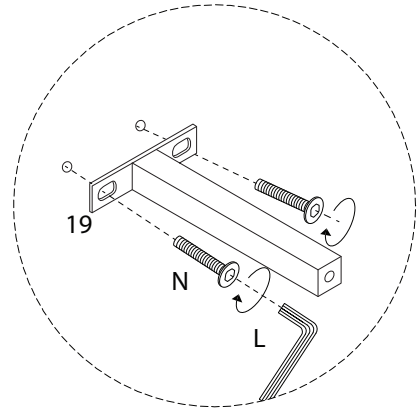
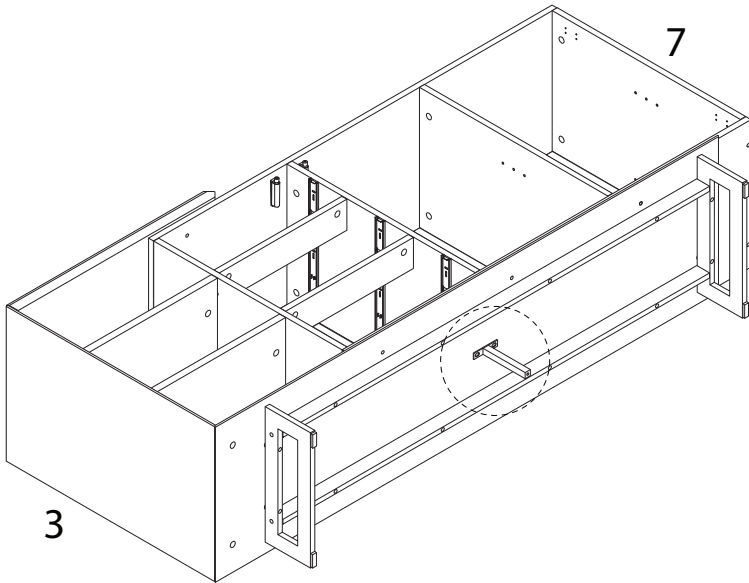
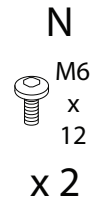
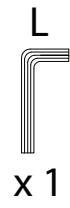
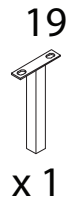
22



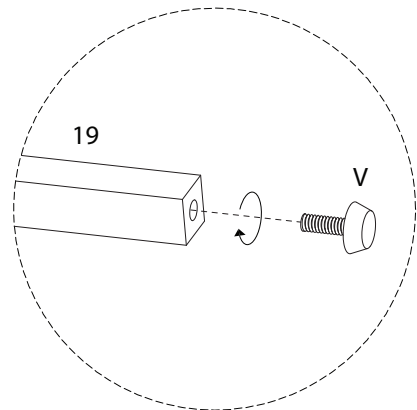
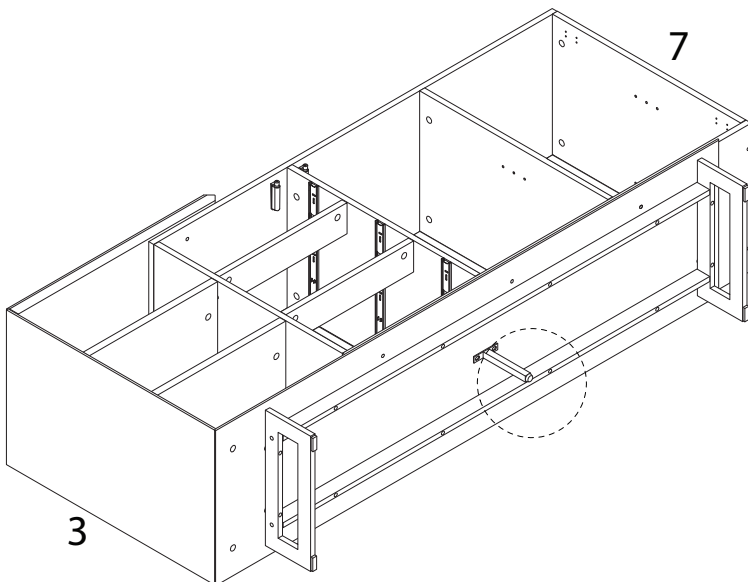
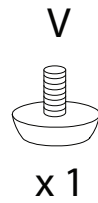
23



24

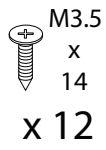


25

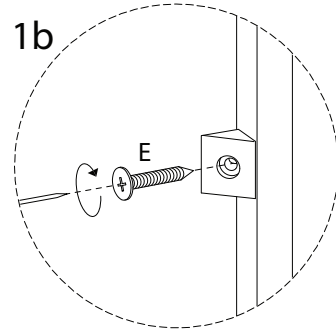
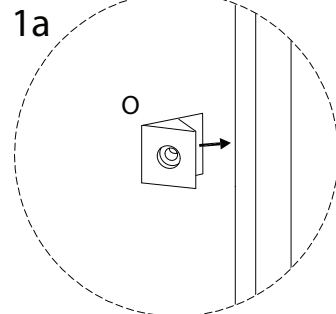
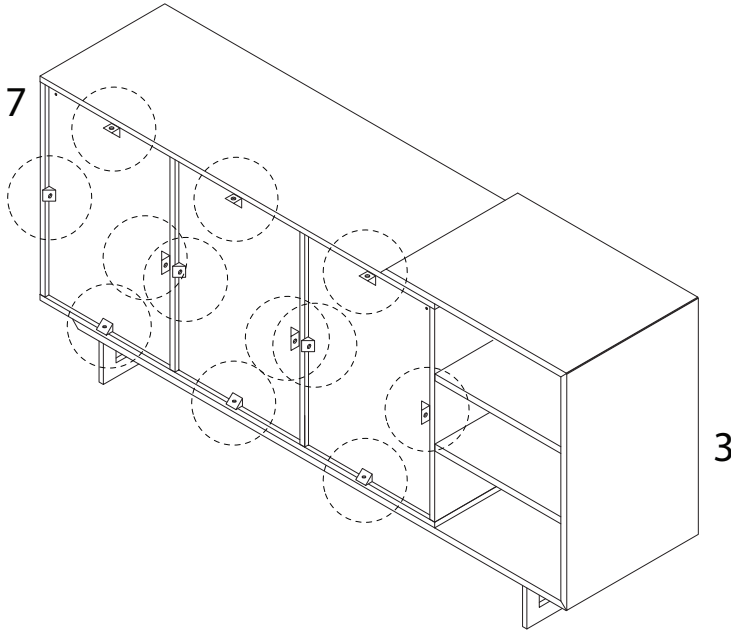


26

E

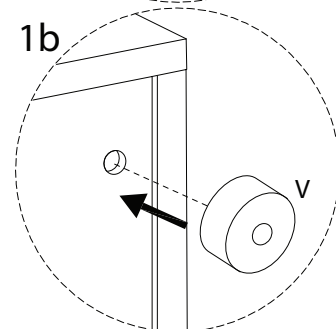
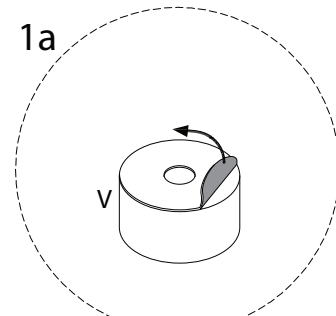
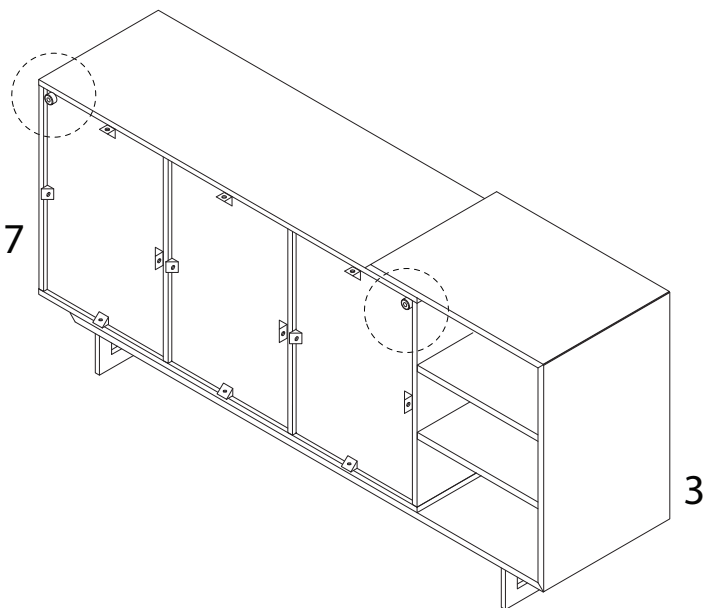


O

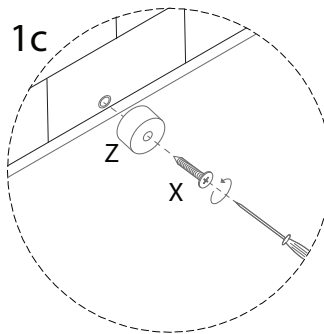
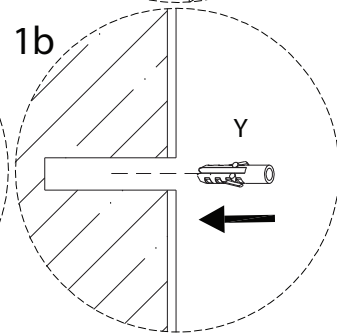
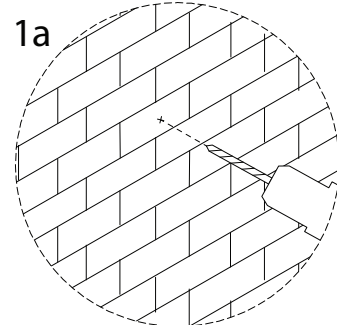
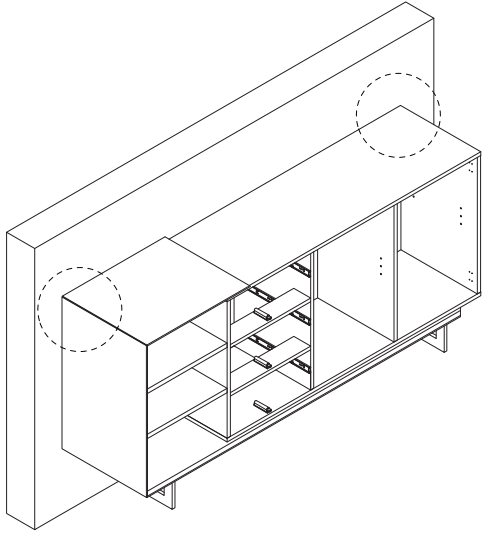
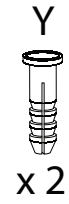
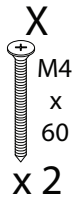


27

Z

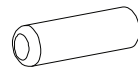


28

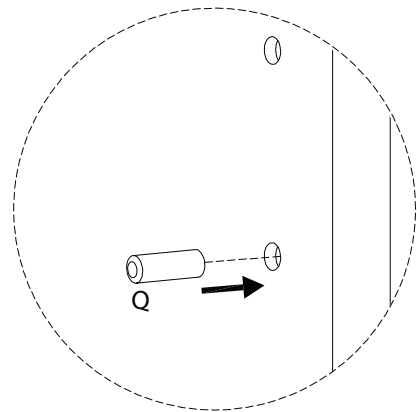
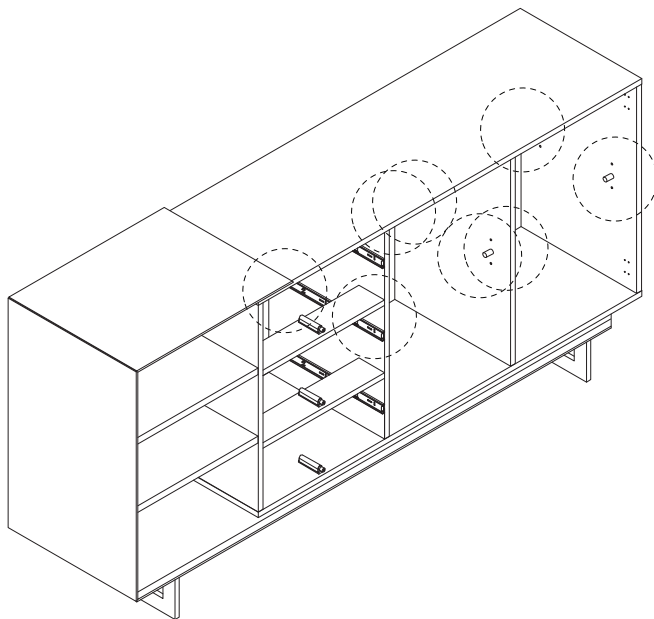


29

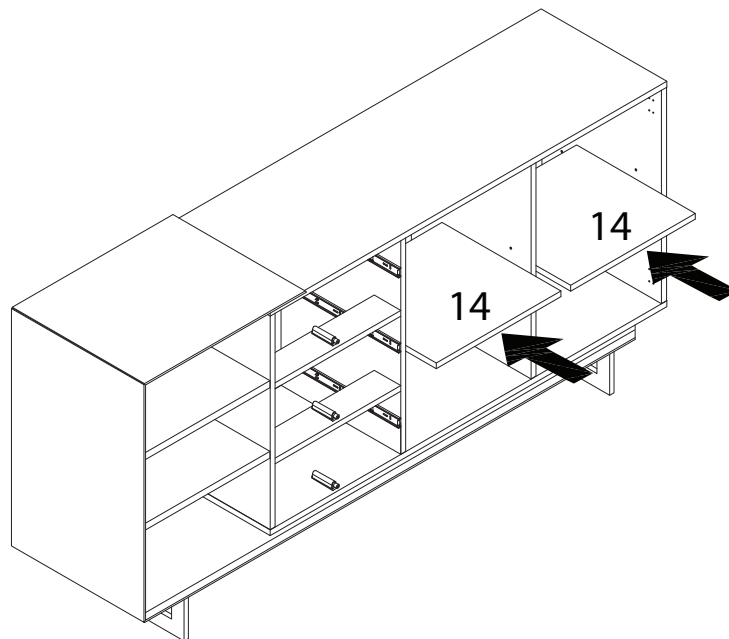
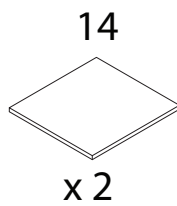
Q



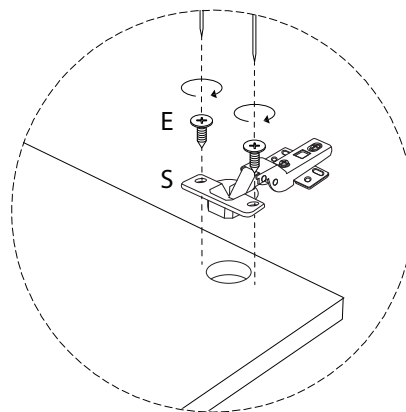
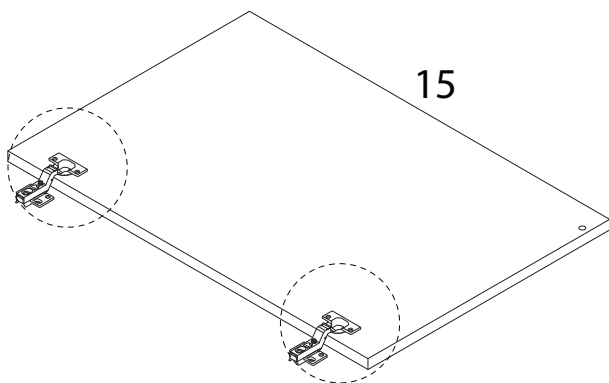
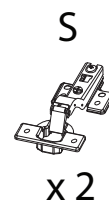
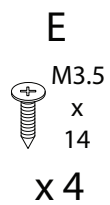
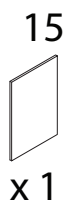
x 8



30



31



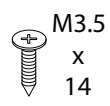
32

16



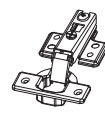
x 1

E

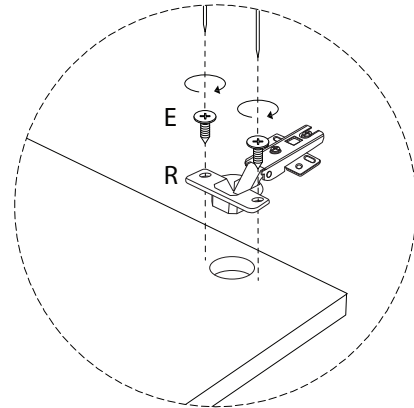
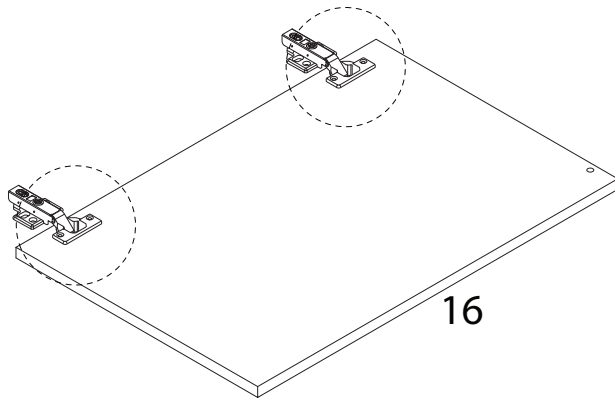


x 4

R

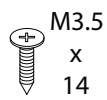


x 2



33

E

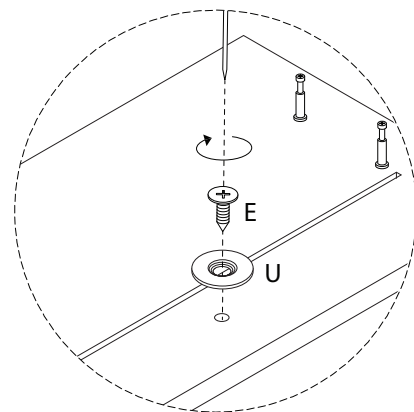
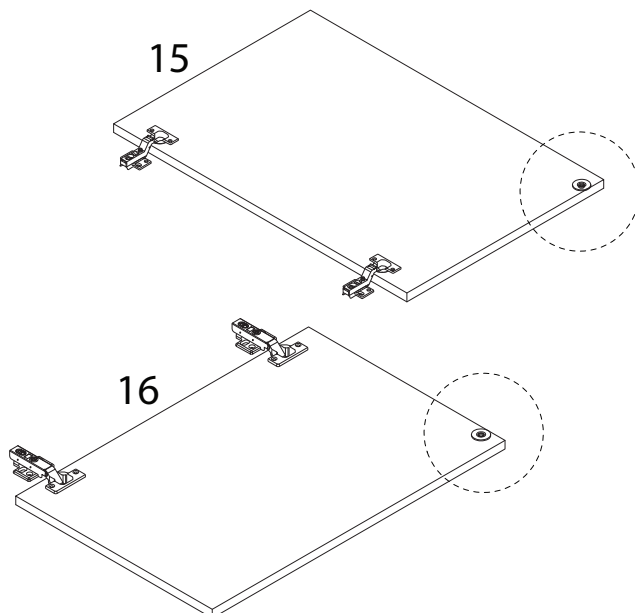


x 2

U

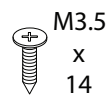


x 2

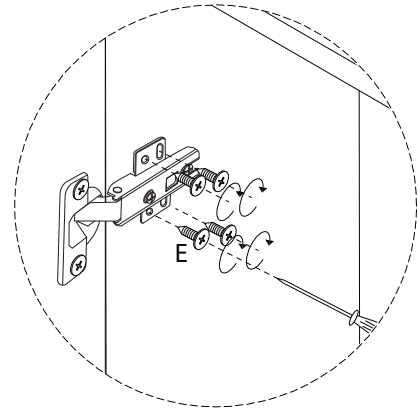
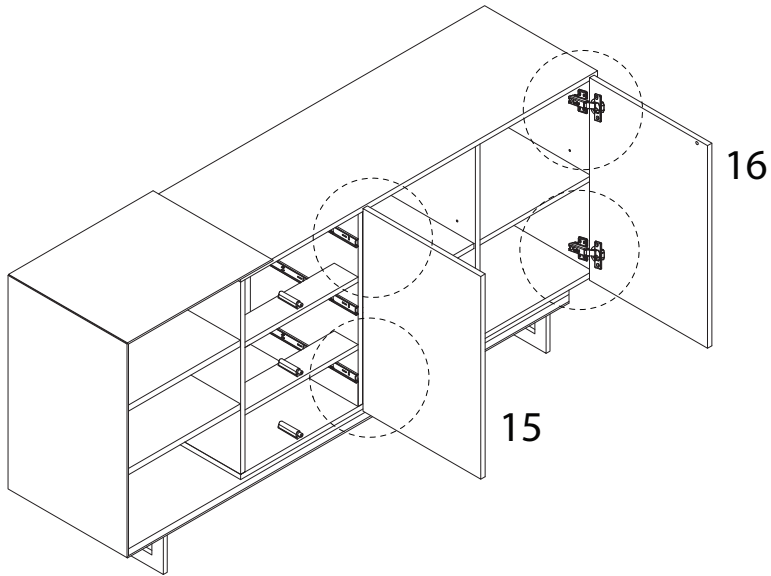


34

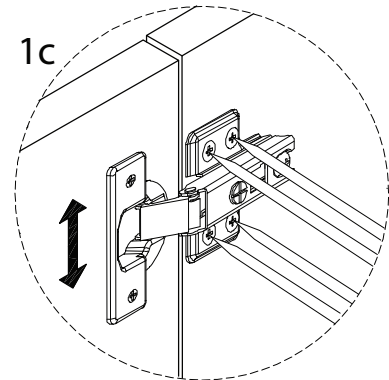
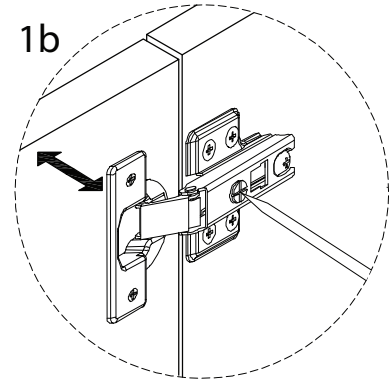
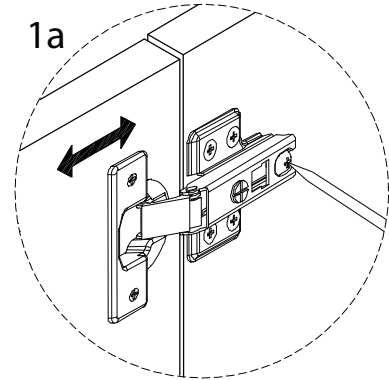
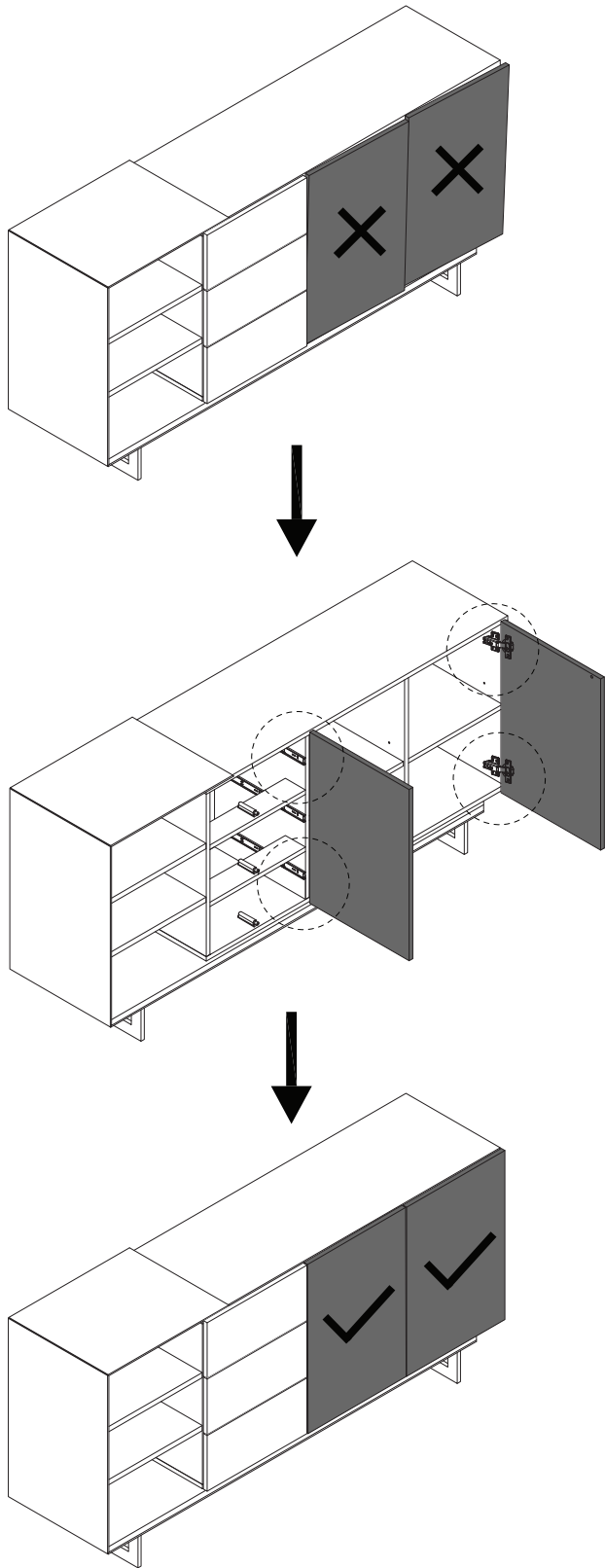
E



x 16

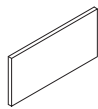


35



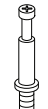
36 x 3

20

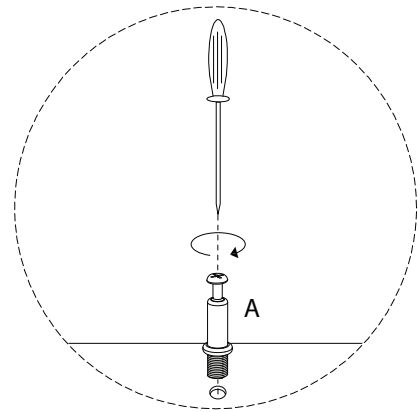
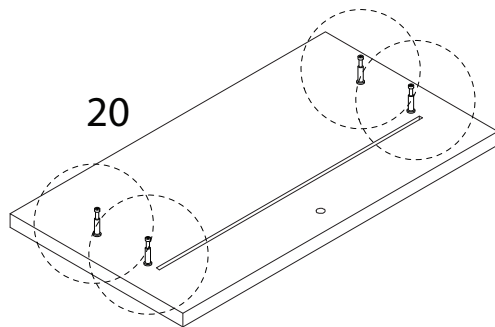


x 1

A

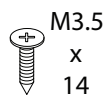


x 4



37 x 3

E

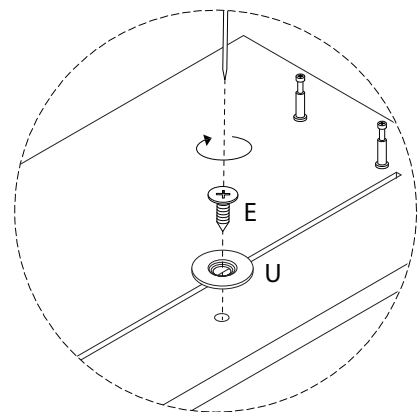
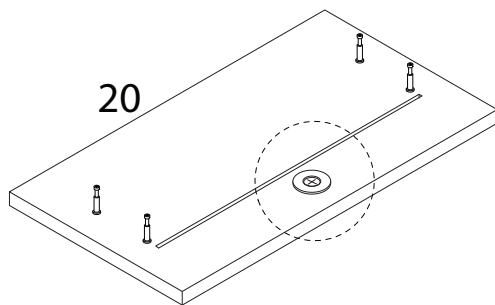


x 1

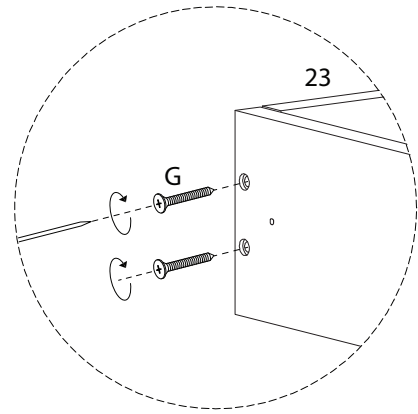
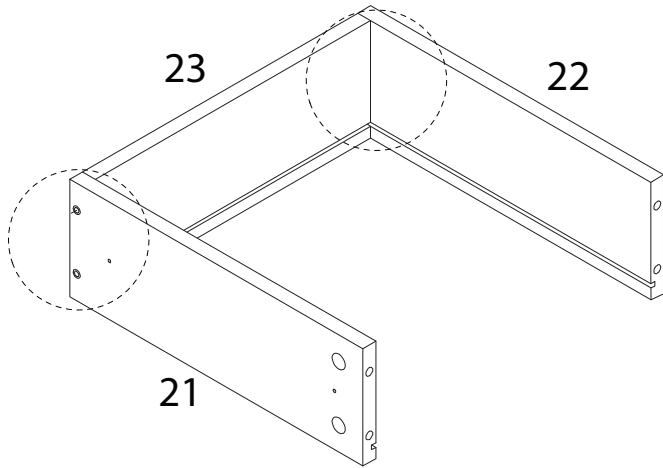
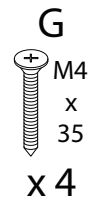
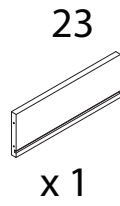
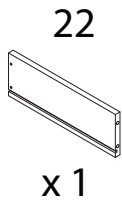
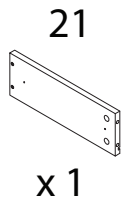
U



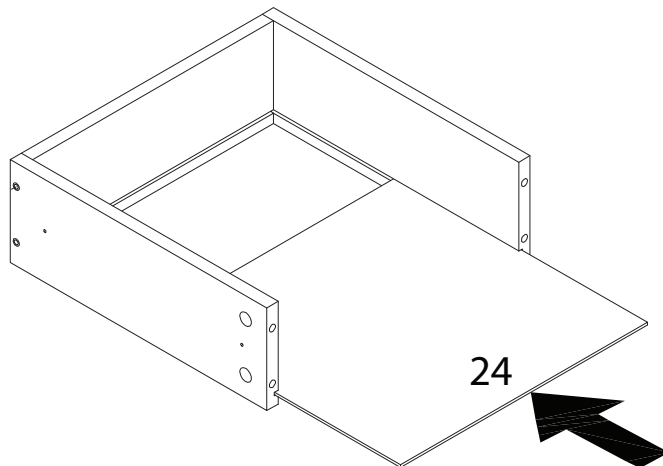
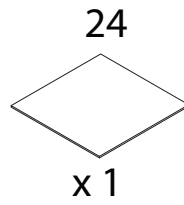
x 1



38 x 3



39 x 3

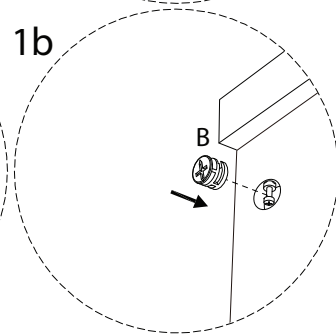
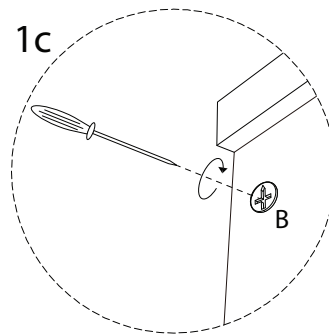
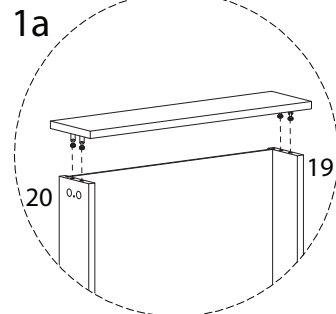
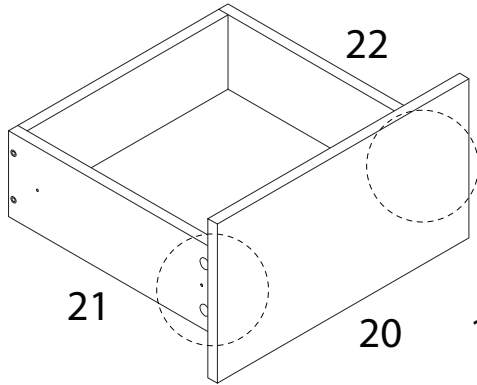


40 x 3

B

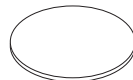


x 4

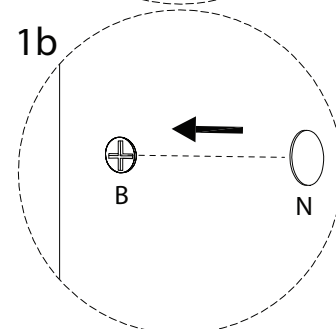
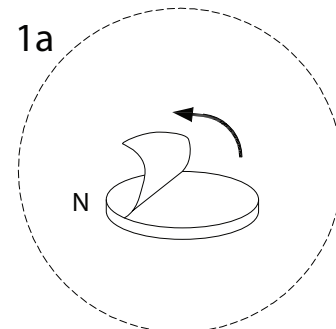
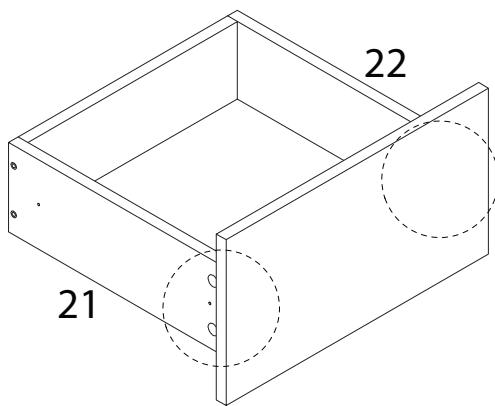


41 x 3

P

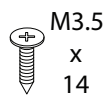


x 4



42 x 3

E

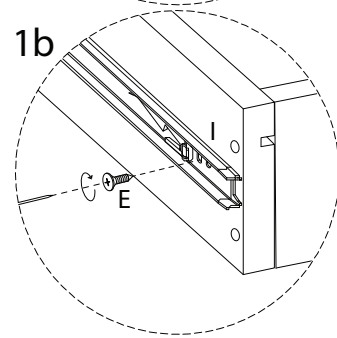
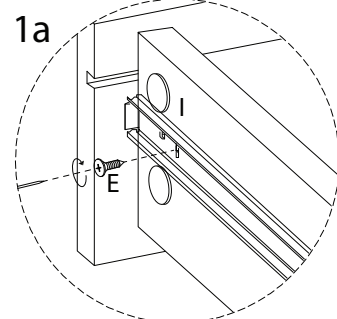
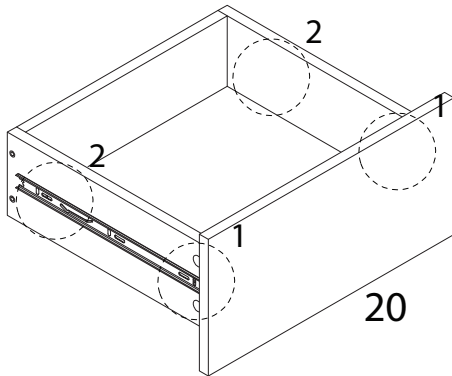


x 4

I



x 2



43

