

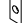
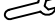
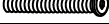


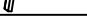
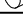
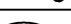




## ASSEMBLY INSTRUCTION

### DESCRIPTION : TRESTLE TABLE TOP/ TRESTLE TABLE BASE

Thank you for purchasing this quality product. Be sure to check all packing material carefully for small Hardware which may have come loose inside the carton during shipment. Identify and count all Hardware and compare with the Hardware List Below.

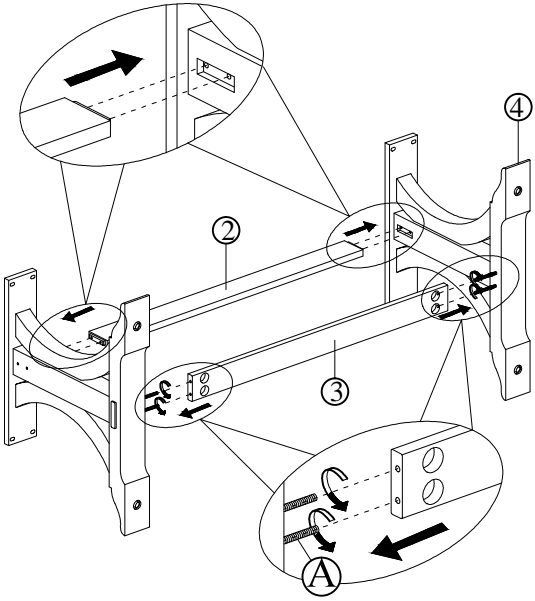
Parts List		
No.	Description	Qty.
①	Table Top	1 Pc
②	Top Stretcher	1 Pc
③	Bottom Stretcher	1 Pc
④	Frame Leg	2 Pcs
⑤	Extension Leaf	1 Pc

Hardware List (Pack inside Trestle Table Base)				
No.	Description	Drawing	Size	Qty.
Ⓐ	Hanger Bolt		Ø 5/16" x 3*1/2 "	4 Pcs
Ⓑ	Hanger Nut		Ø 5/16"	4 Pcs
Ⓒ	Flat Washer		Ø 5/16" x 28 x14	4 Pcs
Ⓓ	Wrench		12 mm	1 Pc
Ⓔ	Bolt		Ø 1/4" x 100 mm	4 Pcs
Ⓕ	Spring Washer		Ø 1/4"	4 Pcs
Ⓖ	Flat Washer		Ø 1/4" x 13 mm x 2 mm	4 Pcs
Ⓗ	Allen Key		M4	1 Pc
Ⓘ	Plug			4 Pcs
Ⓙ	Bolt		Ø 5/16" x 2 "	8 Pcs
Ⓚ	Spring Washer		Ø 5/16"	8 Pcs
Ⓟ	Flat Washer		Ø 5/16" x 22 mm x 2 mm	8 Pcs

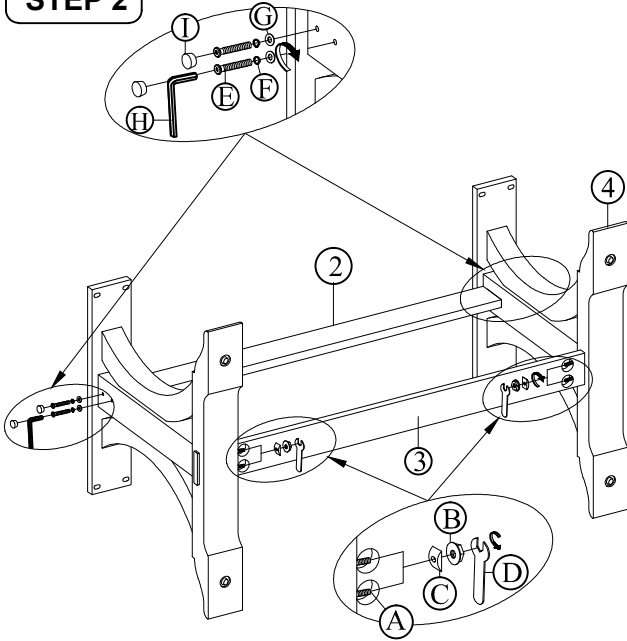
ASSEMBLY INSTRUCTION

DESCRIPTION : TRESTLE TABLE TOP/  
TRESTLE TABLE BASE

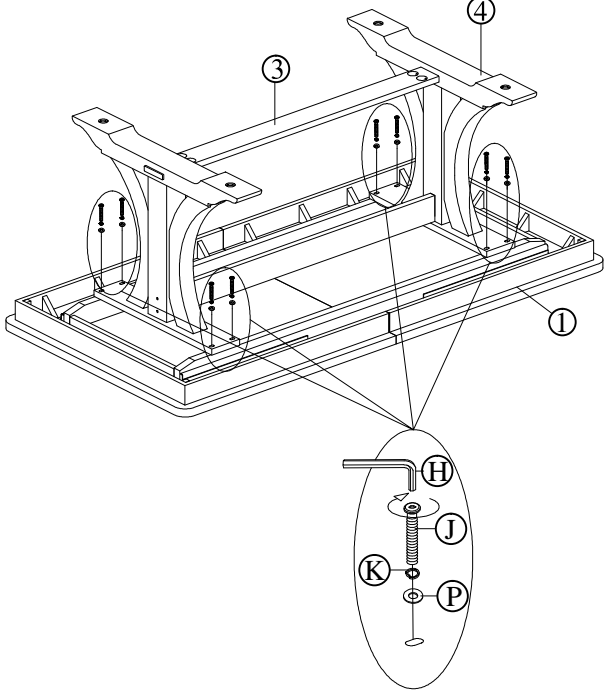
STEP 1



STEP 2



STEP 3



STEP 4

