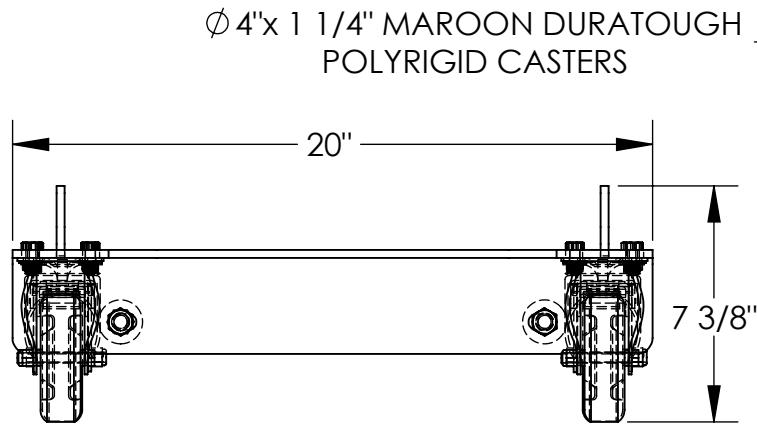


CYLINDER CADDY CASTER KIT - CYL-CK

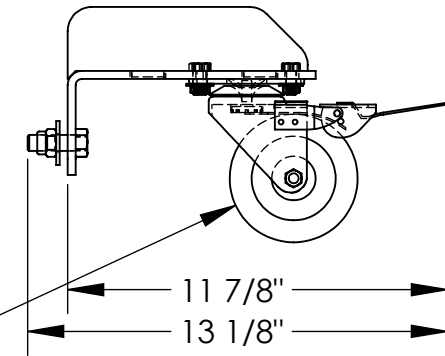
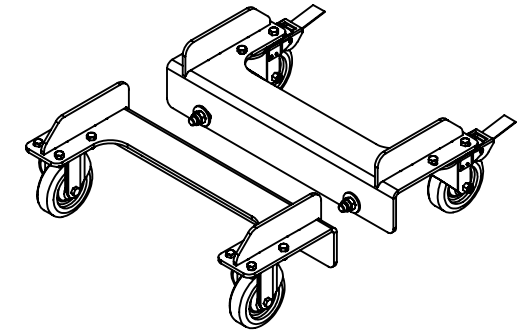
APPROX WEIGHT: 45.00 lbs.
DOES NOT INCLUDE WEIGHT OF POWER OR PACKAGING!!!

*** ANY ADDITIONS, DELETIONS, OR OMISSIONS MUST BE CORRECTED ON THIS DRAWING AS THIS DRAWING WILL BE CONSIDERED ALL INCLUSIVE ***

ALL GRAPHICS PROVIDED ARE FOR REFERENCE ONLY. IF CERTAIN DIMENSIONS ARE CRITICAL PLEASE VERIFY THOSE DIMENSIONS WITH YOUR SALESPERSON



Ø4"x 4 1/4" MAROON DURATOUGH POLY SWIVEL W/ BRAKE CASTERS



DIMENSION TOLERANCE ± 1/4"

STANDARD FEATURES

MODEL NUMBER: CYL-CK
 OVERALL WIDTH: 20"
 OVERALL LENGTH: 13 1/8"
 OVERALL LENGTH (WITHOUT BOLT): 11 7/8"
 OVERALL HEIGHT: 7 3/8"
 USES:
 (2) Ø4" x 1 1/4" MAROON DURATOUGH POLY SWIVEL W/ BRAKE CASTERS
 (2) Ø4" x 1 1/4" MAROON DURATOUGH POLY RIGID CASTERS
 TOUGH BAKED IN POWDER COATED BLUE FINISH

SPECIAL FEATURES

NONE

APPROVAL	I, THE UNDERSIGNED, AGREE THAT THE PRODUCT AS REPRESENTED SATISFIES DESIGN AND DIMENSION REQUIREMENTS. I ALSO ACKNOWLEDGE MY DUTY TO CONFIRM PRODUCT AND INSTALLATION COMPLIANCE WITH ALL APPLICABLE FEDERAL, STATE AND LOCAL REGULATIONS AND STANDARDS.	
	UNITS REQUIRING APPROVAL DRAWINGS OR MODIFIED ARE NON-RETURNABLE	
	[] As drawn [] As marked	
	Signed: _____ Date: _____	
Printed Name: _____		
LEAD TIME WILL START UPON RECEIPT OF SIGNED APPROVAL DRAWING		

FOR INTERNAL USE ONLY PROJECT SIGN OFF	
SALES	
ENG.	
FAB.	
POWER	

DISTRIBUTOR'S NAME:		P.O.#
VESTIL MANUFACTURING		X
W.O.#		X
DRAWN BY: NBE	DATE: 9/23/2020	SALES: X
REFERENCE: X	SCALE: 1:6	FILE NAME:
QUOTED LEAD TIME: X	QUOTE # X	33-007-155