

PLEASE READ AND SAVE FOR FUTURE REFERENCE.

CAUTION

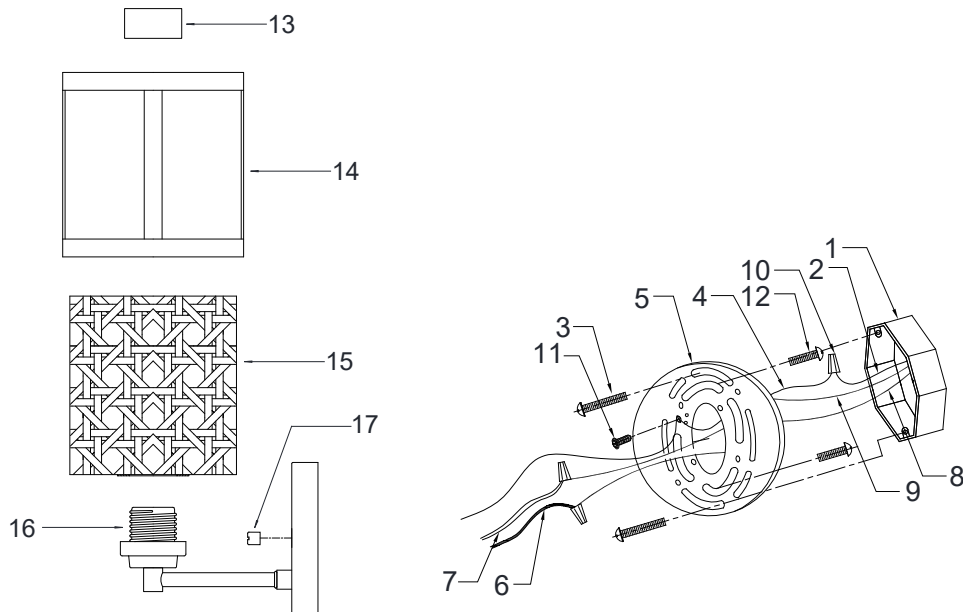
1. Turn off the main power at the circuit breaker before installing the fixture in order to prevent possible shock.
2. All electrical connections must be in accordance with local and National Electrical Code (N.E.C.) standards. If you are unfamiliar with proper electrical wiring connections, obtain the services of a qualified electrician.

GENERAL

Remove all parts and hardware from the box and make sure that none are missing by referencing the illustrations provided.

Bulb Required (not included): 1 -Medium Base 100 Watt Max.

1-LIGHT WALL SCONCE



- | | |
|---------------------------------------|-------------------|
| 1. OUTLET BOX (NOT INCLUDED) | 11. GROUND SCREW |
| 2. SUPPLY GROUND WIRE(not included) | 12. FIXTURE SCREW |
| 3. MOUNTING SCREW | 13. SOCKET RING |
| 4. FIXTURE GROUND WIRE | 14. OUTER SHADE |
| 5. MOUNTING PLATE | 15. INNER SHADE |
| 6. SMOOTH(or BLACK)FIXTURE LEAD WIRE | 16. FIXTURE |
| 7. RIBBED(or WHITE) FIXTURE LEAD WIRE | 17. FINIAL |
| 8. BLACK SUPPLY WIRE(not include) | |
| 9. WHITE SUPPLY WIRE(not include) | |
| 10. WIRE CONNECTOR | |