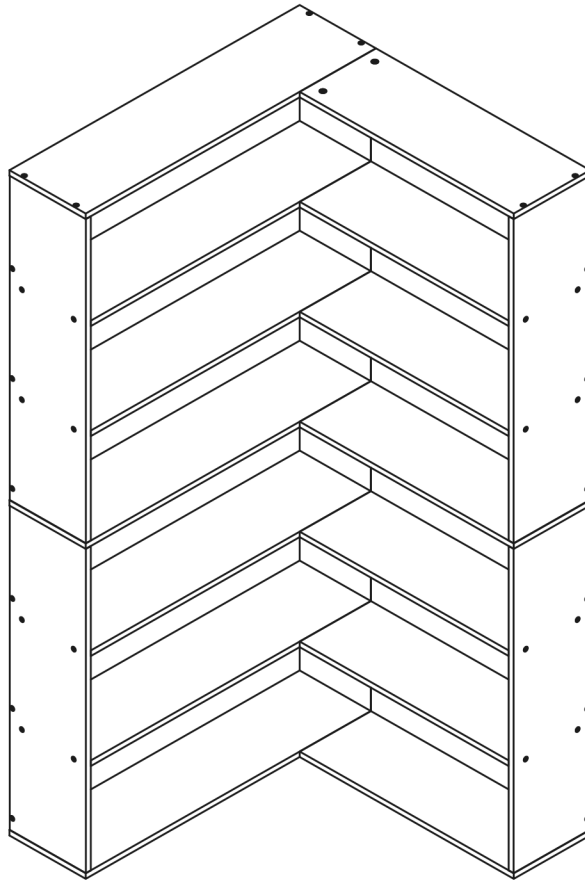




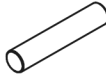




USER'S MANUAL
Corner Bookshelf
SKU: HO005701



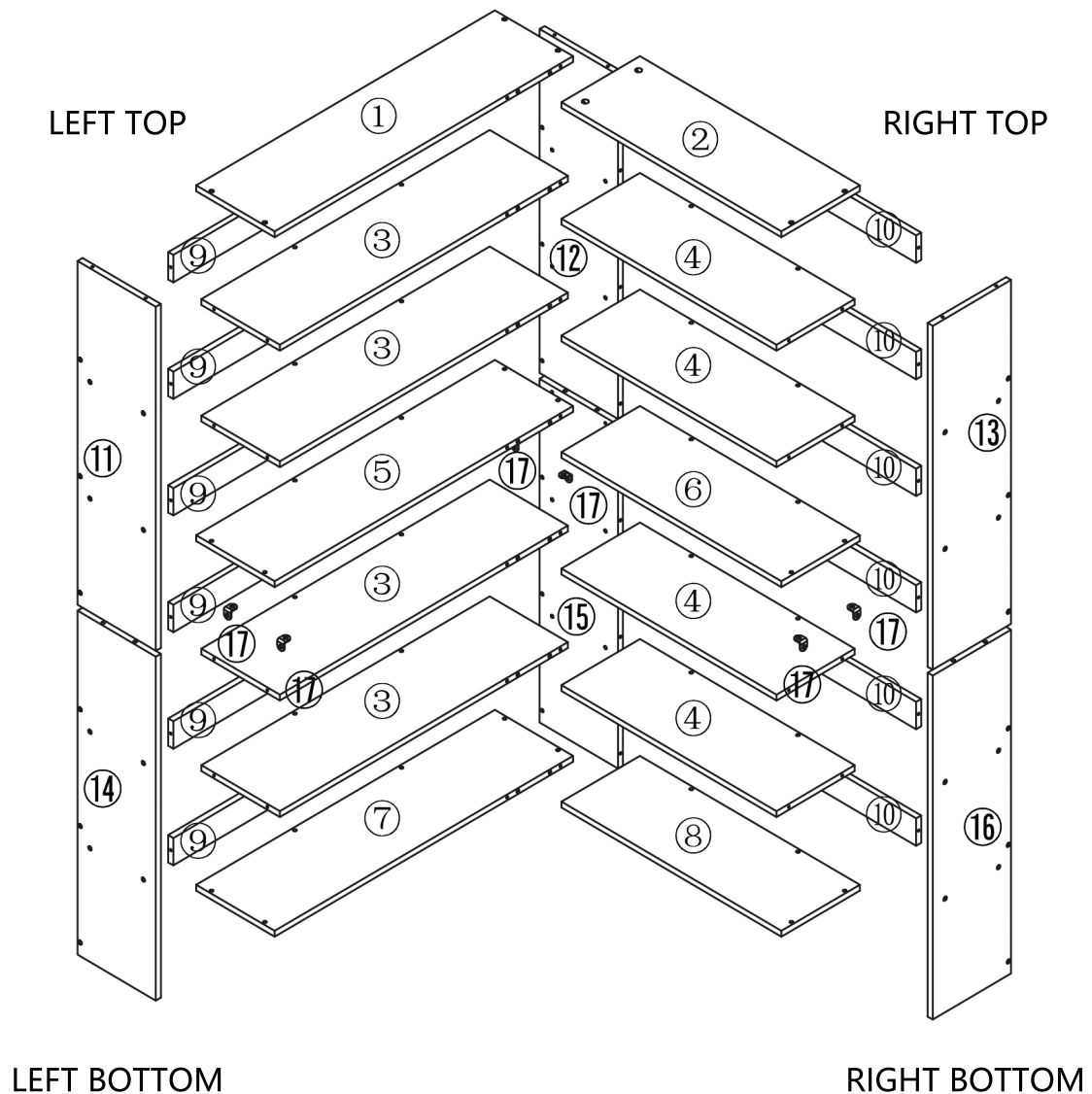
REPLACEMENT PARTS

We are devoted to provide the best products and services for customers. Please contact us via the "Contact seller" button in the detail page of your order for any concern and we'll response as soon as possible.

Hardware list

<p>A</p>  <p>7X40mm 84PCS</p>	<p>B</p>  <p>M6X12mm 12PCS</p>	<p>C</p>  <p>Ø8X30mm 20PCS</p>	
<p>D1</p>  <p>20PCS</p>	<p>D2</p>  <p>20PCS</p>	<p>E</p>  <p>4mm 2PC</p>	<p>F</p>  <p>8PCS</p>

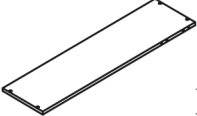

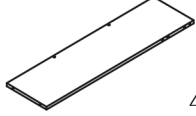
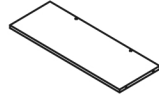
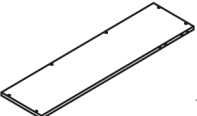
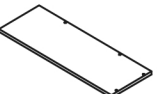
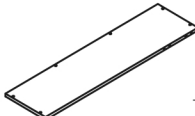
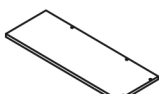
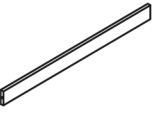

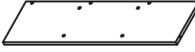
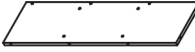
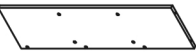
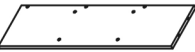




BOARD IDENTIFICATION



Attention:

The board on the left is longer than the board on the right
Boards #1, #5, and #7 are longer than boards #3
Boards #2, #6, and #8 are longer than boards #4

COMPONENTS

 <p>① 1PC</p>	 <p>② 1PC</p>	 <p>③ 4PCS</p>	 <p>④ 4PCS</p>
 <p>⑤ 1PC</p>	 <p>⑥ 1PC</p>	 <p>⑦ 1PC</p>	 <p>⑧ 1PC</p>
 <p>⑨ 6PCS</p>	 <p>⑩ 6PCS</p>	 <p>⑪ 1PC</p>	 <p>⑫ 1PC</p>
 <p>⑬ 1PC</p>	 <p>⑭ 1PC</p>	 <p>⑮ 1PC</p>	 <p>⑯ 1PC</p>
 <p>⑰ 6PCS</p>	 <p>⑱ 2PCS</p>		

Step 1 :

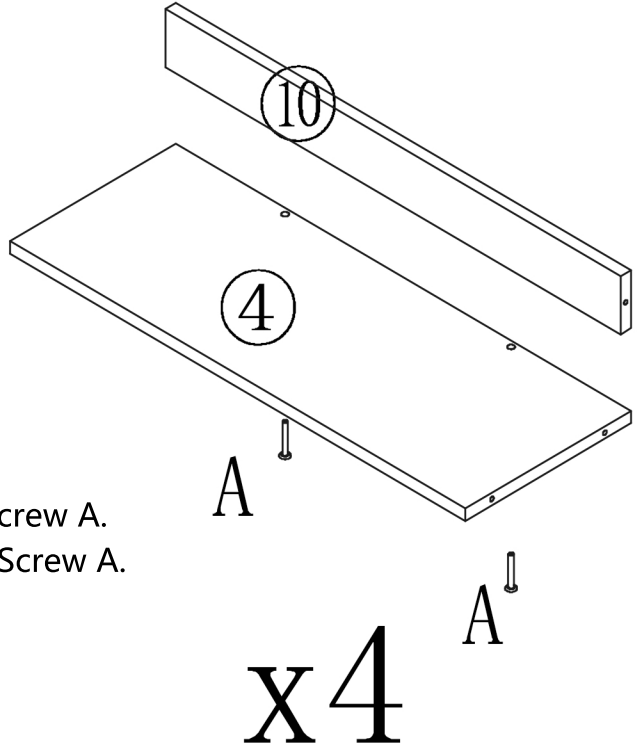
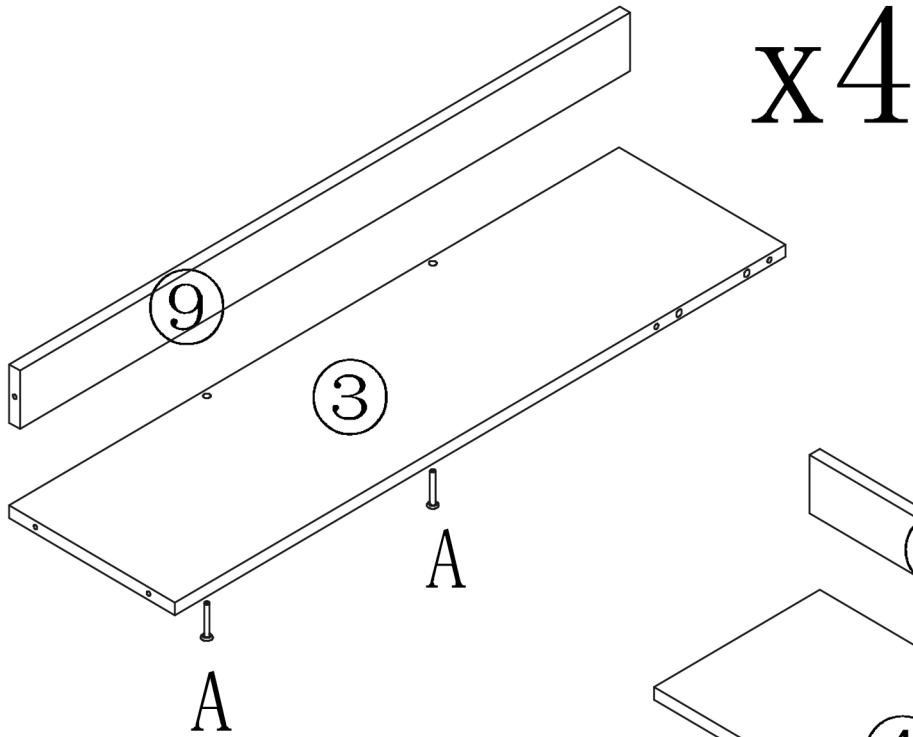
Assemble Shelf Layers

A



7X40mm

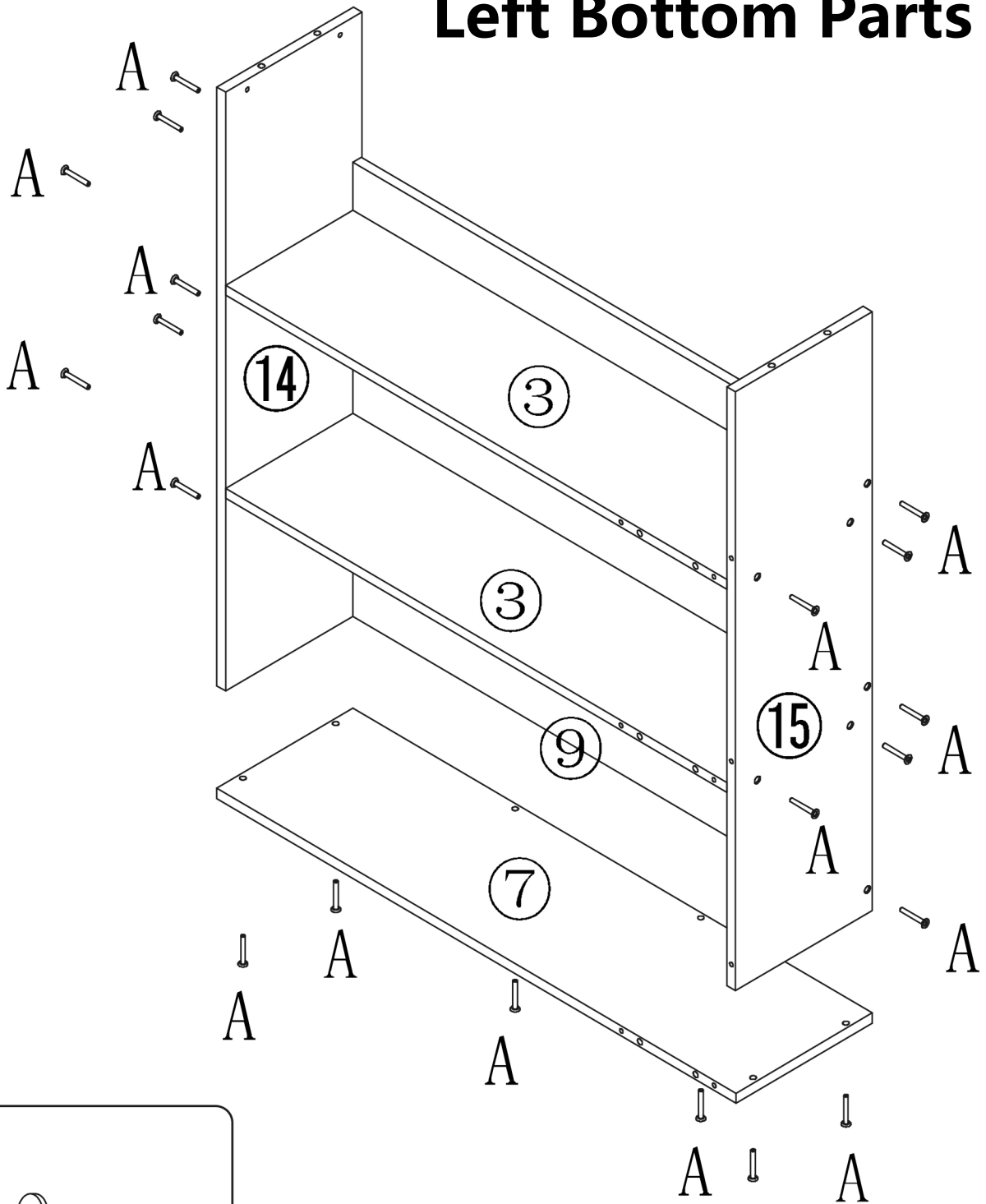
16PCS



Attach Part (3) into Part (9) through Screw A.
Attach Part (4) into Part (10) through Screw A.

Step 2 :

Assemble Left Bottom Parts



A



7X40mm

20PCS

Attach Part (14,15) into Part (3,9) through Screw A.
Attach Part (7) into Part (14,15) through Screw A.

Step 3 :

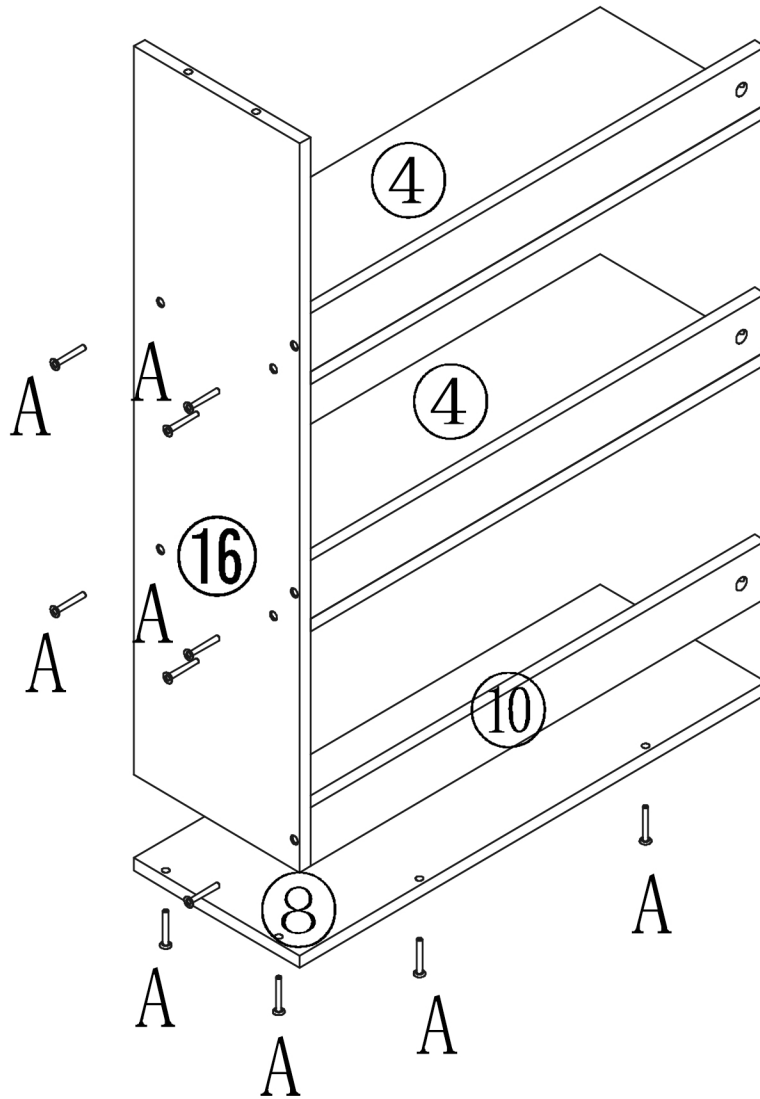
A



7X40mm

11PCS

Assemble Right Bottom Parts



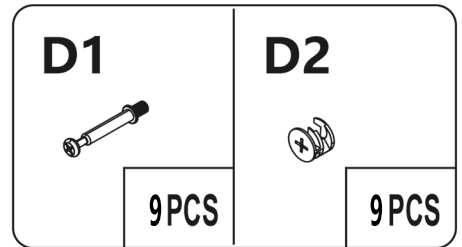
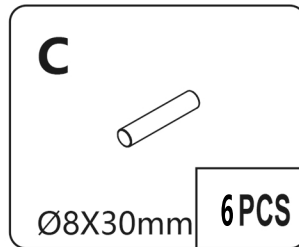
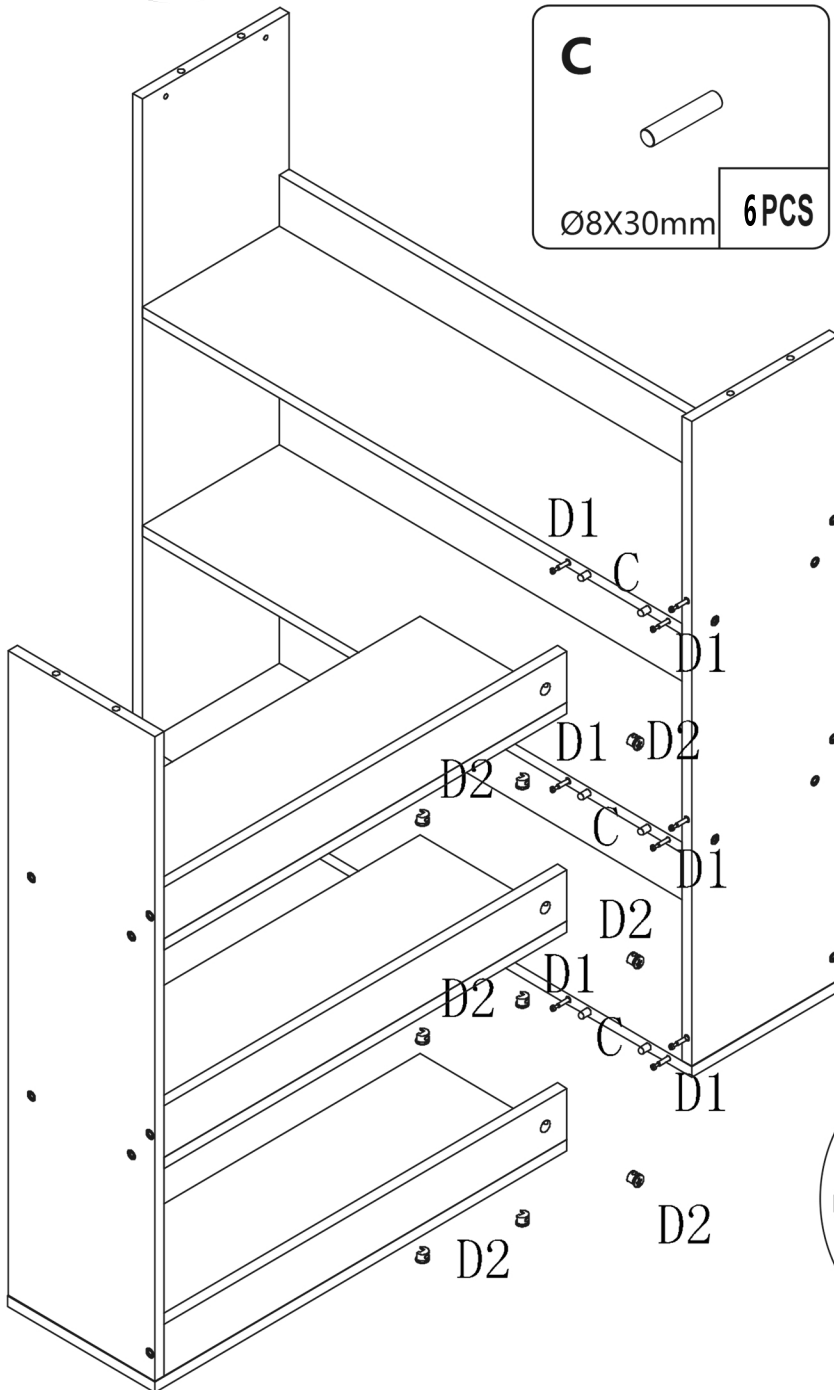
Attach Part (16) into Part (4,10) and Part (10) through Screw A.
Attach Part (8) into Part (10,16) through Screw A.

Step 4 :

Connect Left Bottom Parts and Right Bottom Parts



Arrow on lock (D2) should point in the direction of bolt (D1)
Be careful not to over tighten.

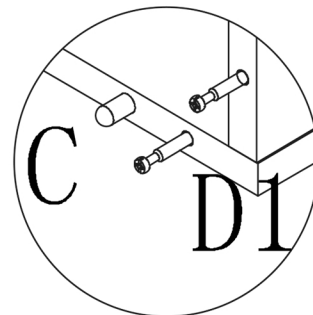


Insert cam bolt (D1) to part (3,7,15) with screwdriver.

Insert dowel (C) into part (3,7).

Attach part (4,8,10) into part (3,7,15) through bolt (D1) and dowel (C).

Insert and secure cam lock (D2) to part (4,8,10) to lock the bolt (D1).



Step 5 :

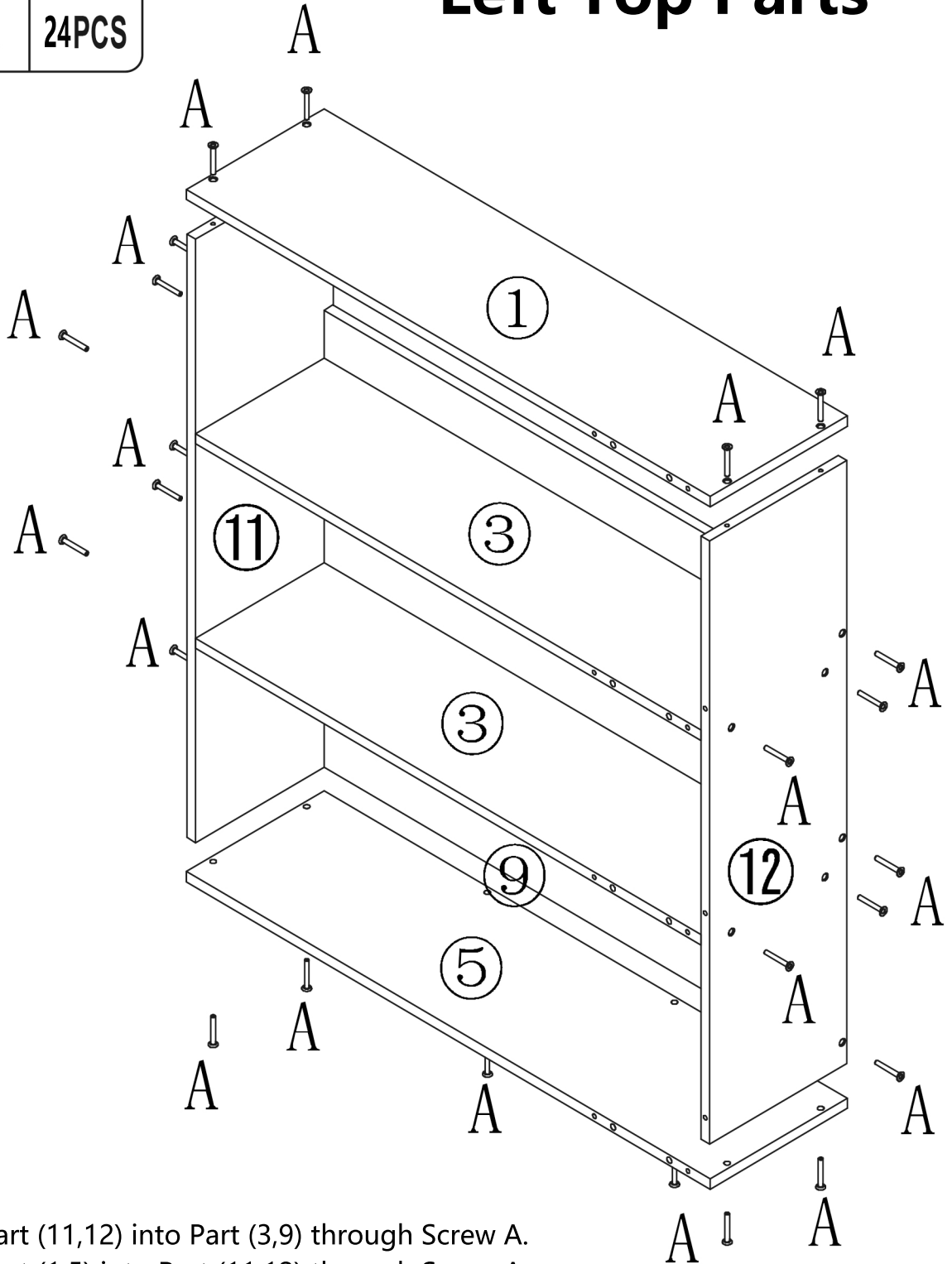
A



7X40mm

24PCS

Assemble Left Top Parts



Attach Part (11,12) into Part (3,9) through Screw A.
Attach Part (1,5) into Part (11,12) through Screw A.

Step 6 :

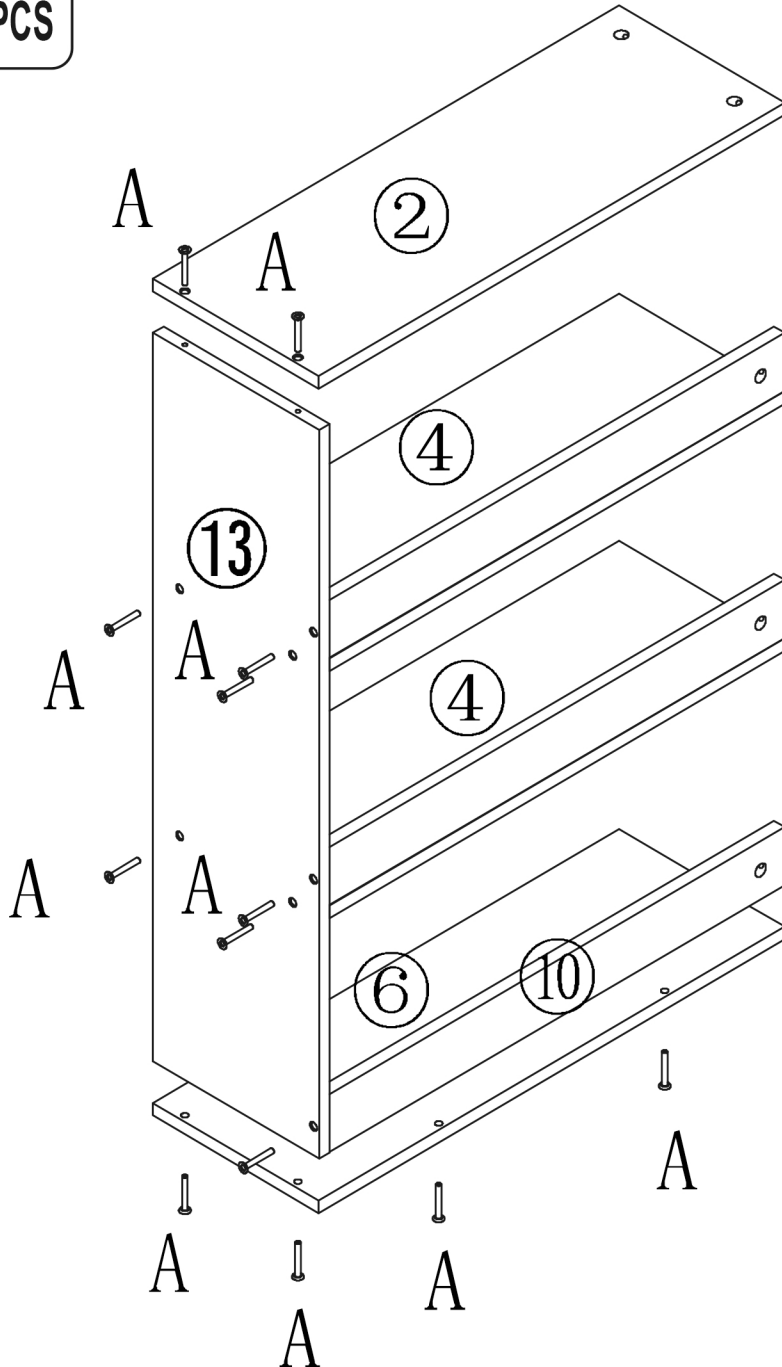
A



7X40mm

13PCS

Assemble Right Top Parts



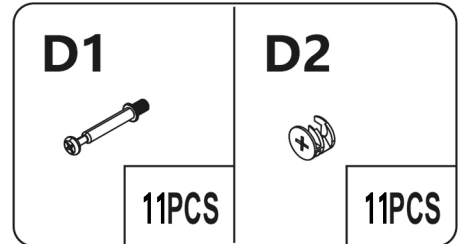
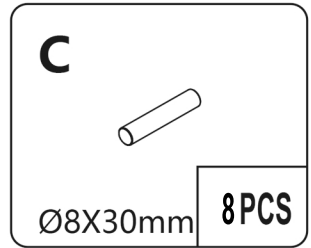
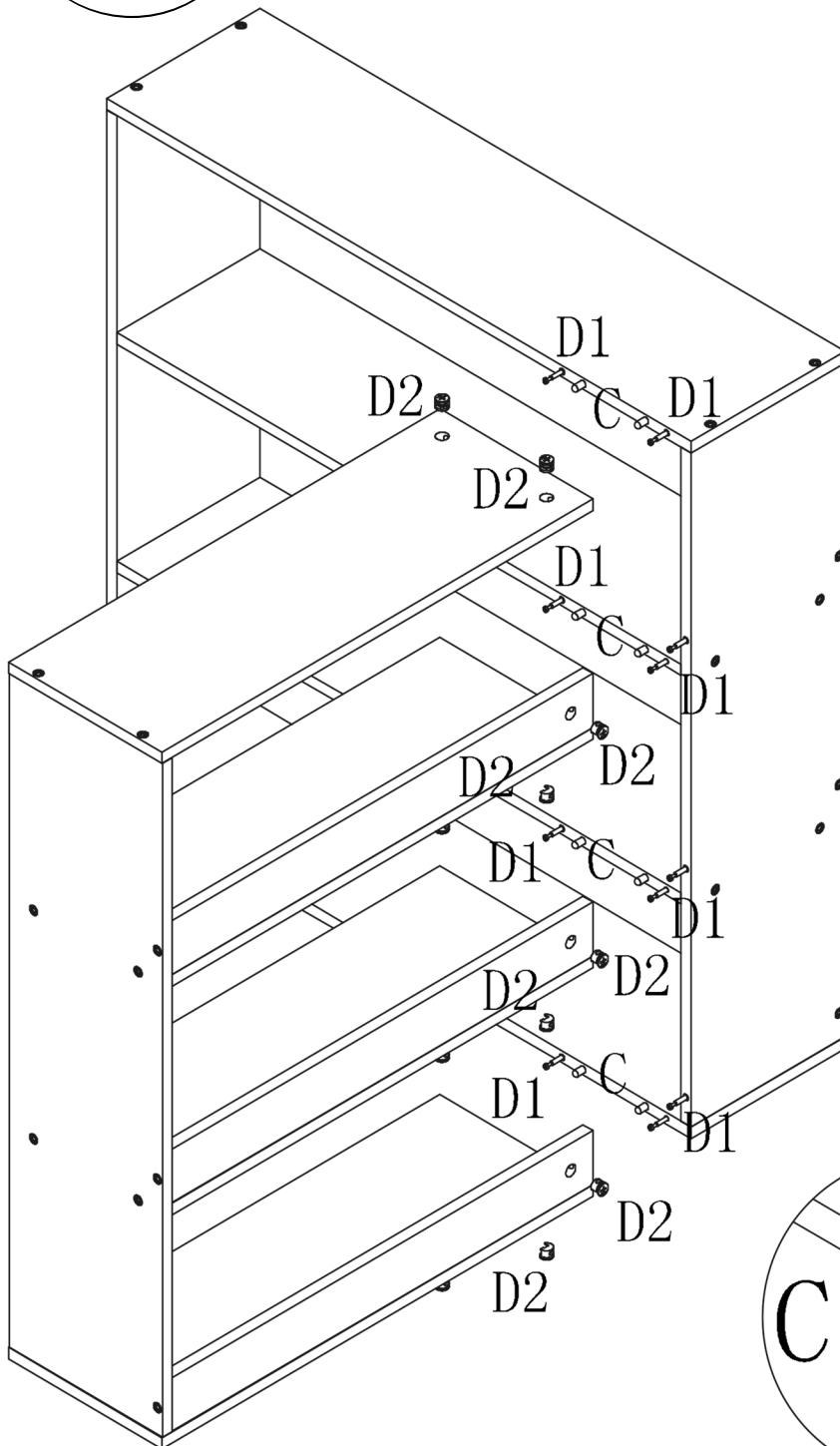
Attach Part (4,10) into Part (13) through Screw A.
Attach Part (2,6) into Part (13) through Screw A.

Step 7 :

Connect Left Top Parts and Right Top Parts



Arrow on lock (D2) should point in the direction of bolt (D1) Be careful not to over tighten.

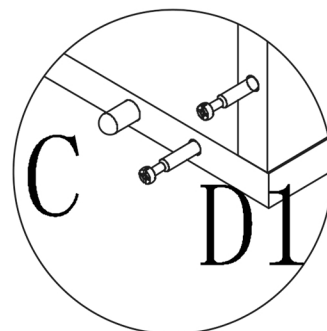


Insert cam bolt (D1) to part (1,3,5,12) with screwdriver.

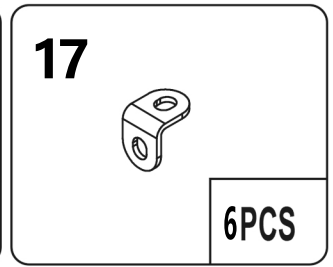
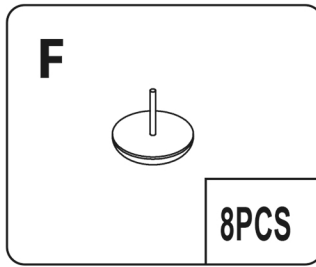
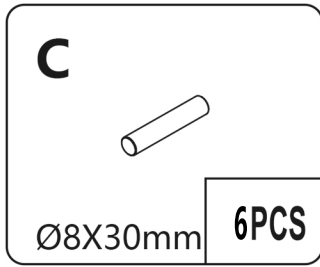
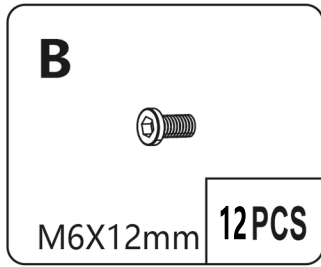
Insert dowel (C) to part (1,3,5).

Attach part (2,4,10) into part (1,3,5,12) through bolt (D1) and dowel (C).

Insert and secure cam lock (D2) to part (2,4,10) to lock the bolt (D1).



Step 8 :

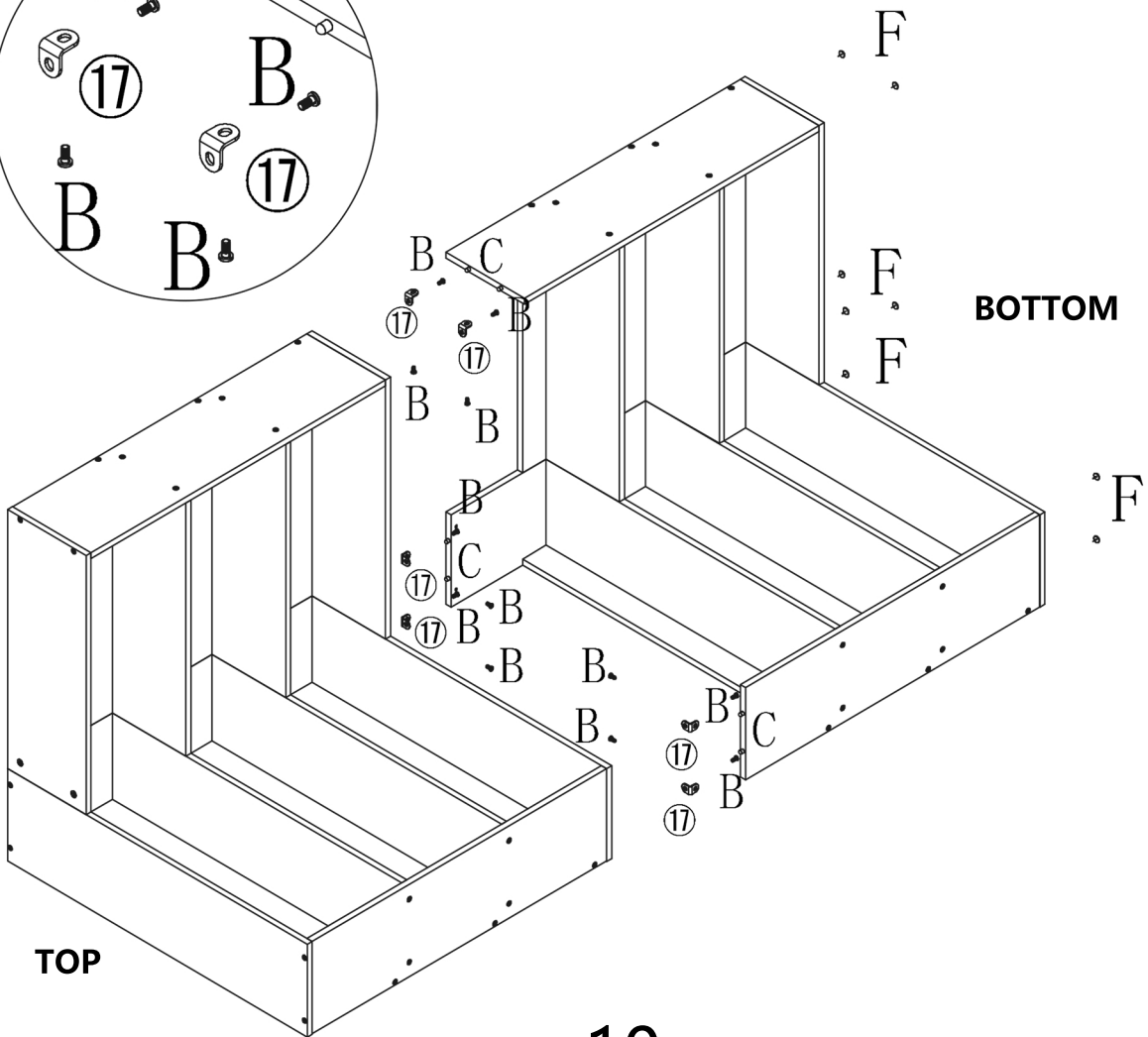
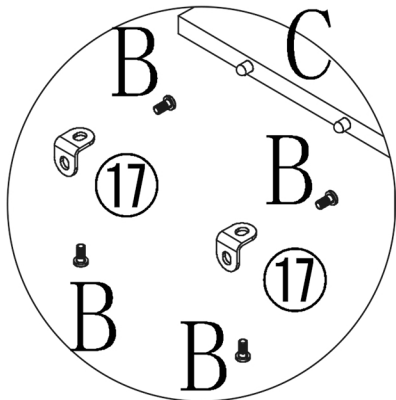


Connect Top Parts and Bottom Parts

Insert dowel (C) to part (14,15,16).

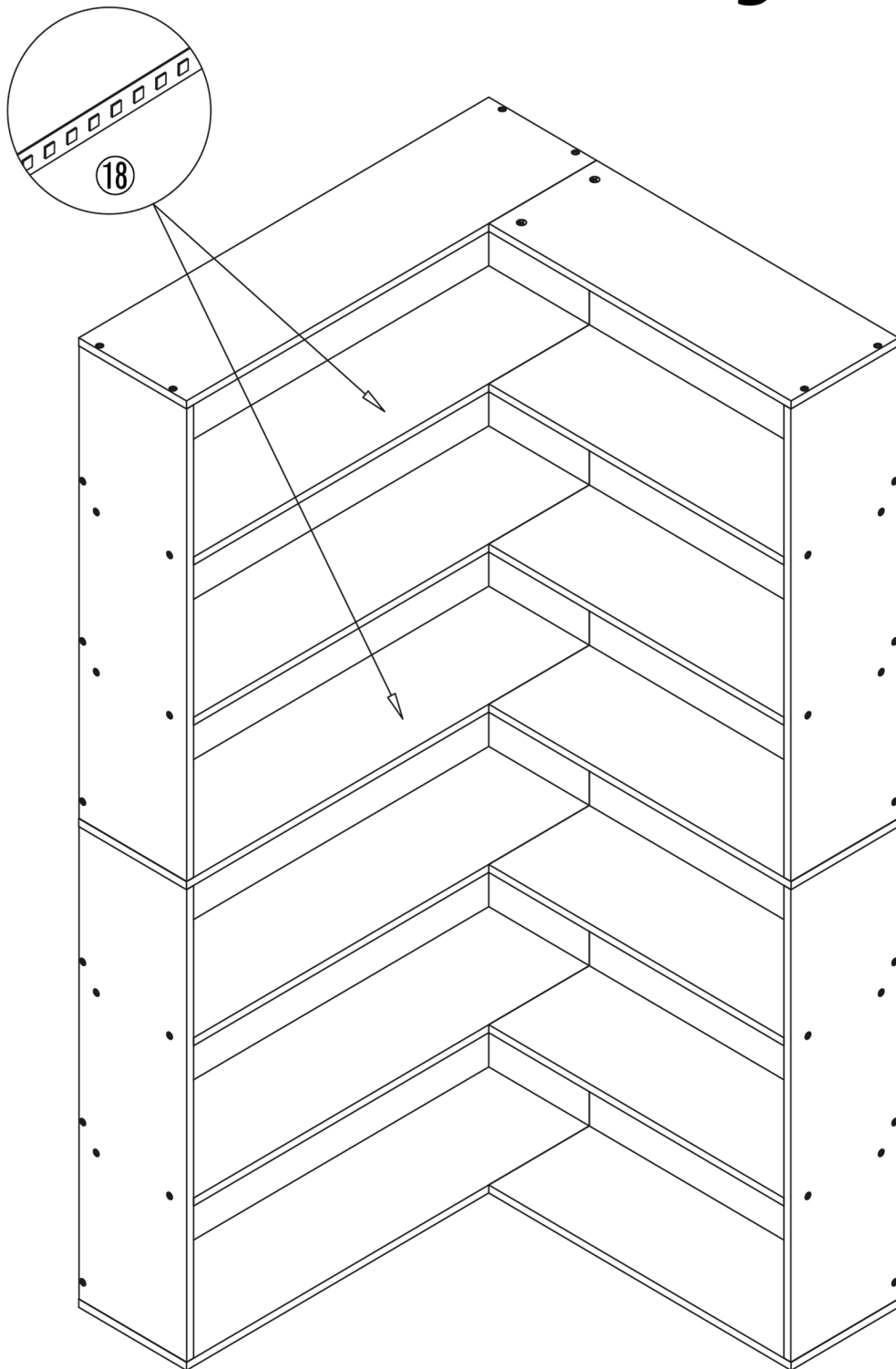
Connect Part (5,6) and Part (14,15,16) through screw B and 17.

Insert bottom pad (F) to parts (7,8).



Step 9 :

Attach LED Light Strips



The LED light strips (18) can be attached to any layer of the board according to your preference. We recommend that you stick on the 2nd and 4th floors.