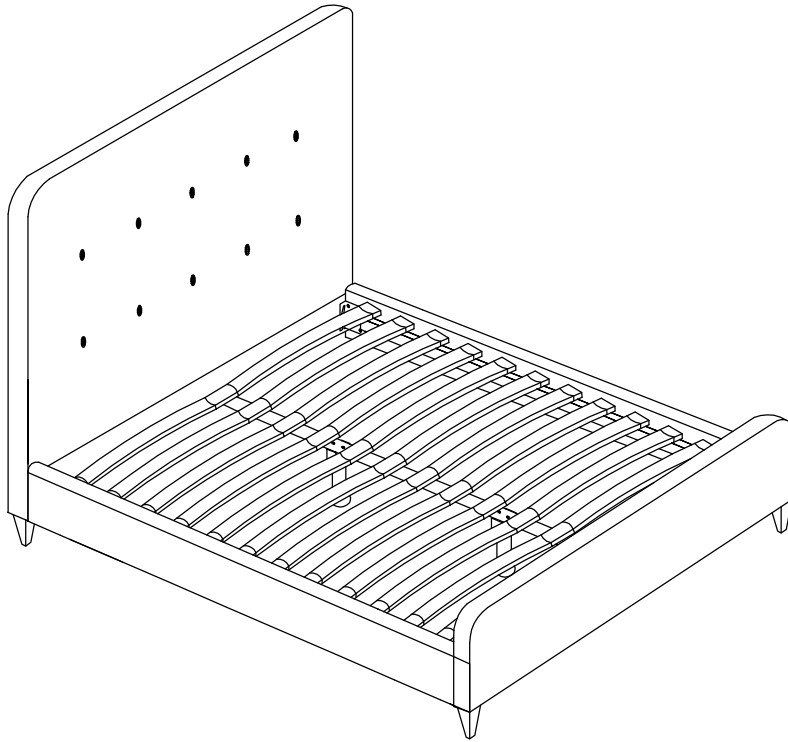


BED

Thank you for purchasing the bed. Please read the instructions carefully to ensure safe operation product.



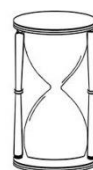
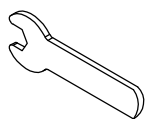
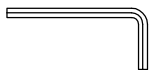
Size : 4FT6IN 2070MM X 1450MM X 1040MM
5FT 2140MM X 1610MM X 1040MM
Colour : Dark Grey / Light Grey / Mustard

PLEASE READ this sheet prior to assembly to familiarise yourself with the various stages of construction.

Carefully open the pack supplied and check the contents against the parts and fittings check list. Do not destroy any of the packaging until you are certain that you have all the necessary parts for the assembly.

CAUTION: There are small components used in the construction of this unit. These loose items should be kept away from young children whilst assembling your unit to avoid the danger of choking hazards.

Tools Required



0.5 Hour
Set Up

BED

IMPORTANT - READ CAREFULLY - RETAIN THESE INSTRUCTIONS FOR FUTURE REFERENCE.

INFORMATION

- This product is intended for a maximum person's weight of 130kg per side. Do not exceed this weight
- Incorrect installation could lead to injury, take care following instructions.
- Due to the size of this product we recommend that it is assembled in the room intended for use
- When you are ready to start, make sure that you have the right tools, plenty of space and a clean, dry area for assembly
- Unwrap all packaging materials and place the components on top of the carton box or on a clean floor to prevent it from scratching
- Check the pack and make sure you have all the parts listed
- Ensure that this product is fully assembled and secured as illustrated before use
- Check all screws or bolts are tightened and inspect regularly.
- This product should only be used on firm, level ground.
- Dismantle for transportation.
- Only use recommended accessories.
- Tools are included.

WARNINGS

- When moving the bed Always lift Carefully into position NEVER DRAG OR PULL YOUR BED OTHERWISE THIS COULD DAMAGE ESSENTIAL COMPONENTS.
- DO make sure the legs remain in contact with the ground.
- DO keep small parts out of reach of children.
- DO NOT use power tools to construct this product.
- DO NOT tighten screws until fully assembled.
- DO NOT over tighten screws or bolts.
- DO NOT use this product if parts are missing, damaged or worn. DO NOT stand on the product.

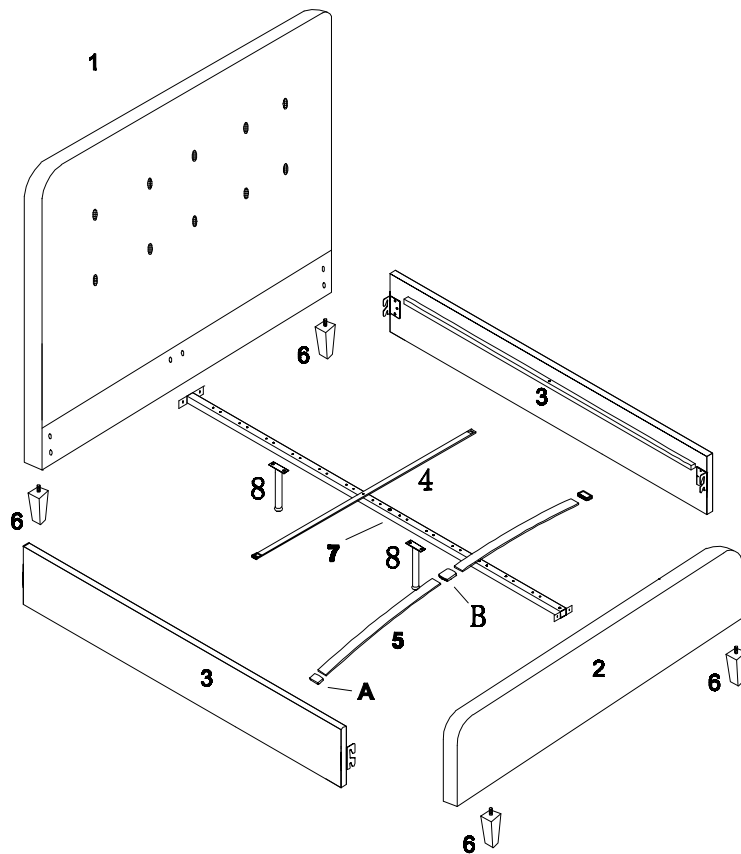
CARE INFORMATION

- Never use scourers, abrasives or chemical cleaners
- To clean wipe with a sponge and warm soapy water. Do not use solvent based cleaners or detergents as they can bleach or damage the product

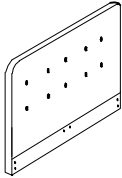
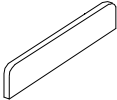
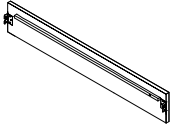
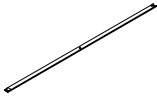
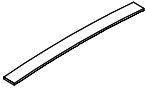



BED

Parts

Please check the pack contents before assembling this product. If any components are missing, please contact your retailer. The fittings pack contains small items that should be kept away from small children.



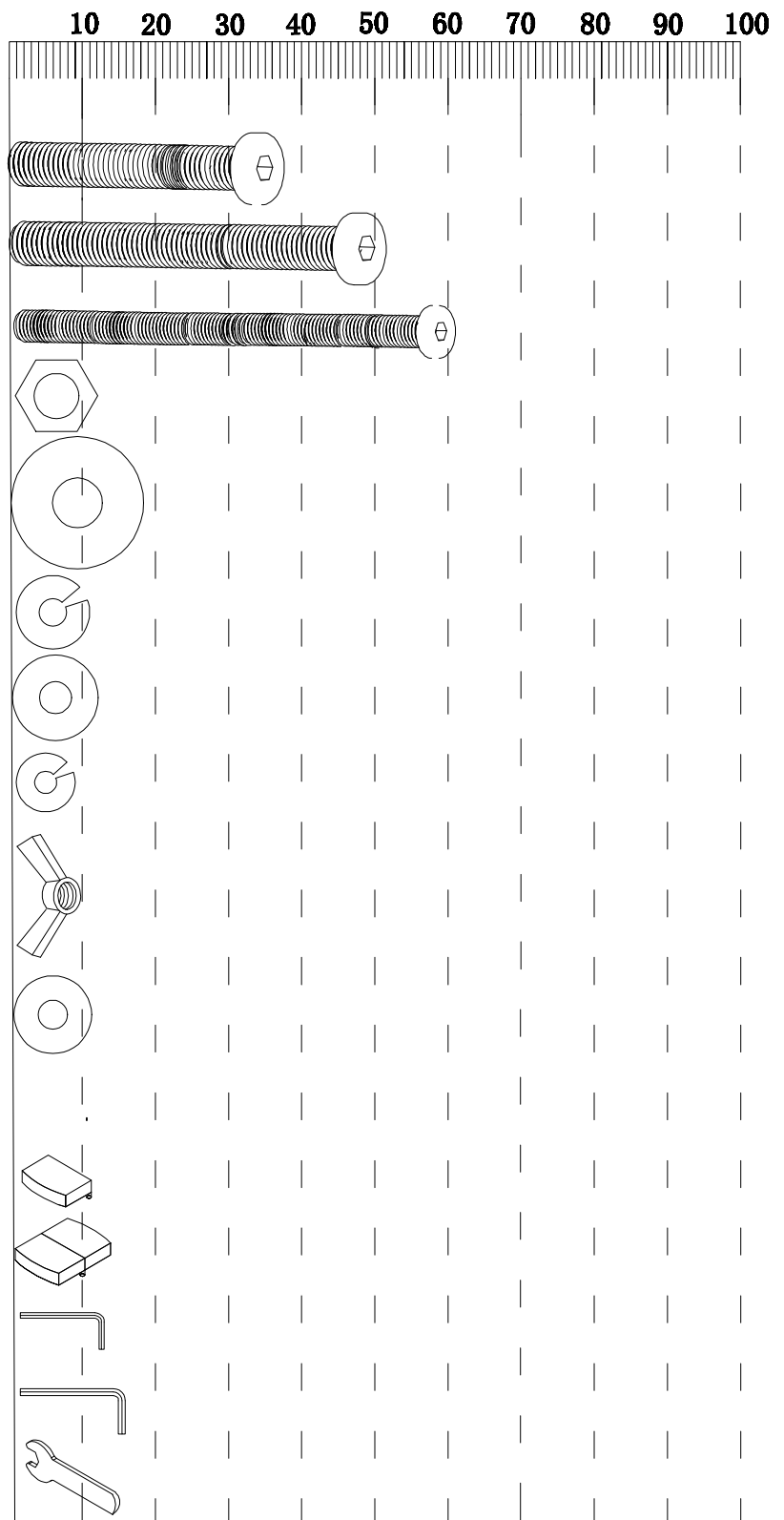
BED

<p>1</p> 	<p>2</p> 	<p>3</p> 
<p>Description:HEADBOARD Qty:1 PC Carton NO: 1</p>	<p>Description:FOOTBOARD Qty:1 PC Carton NO:2</p>	<p>Description:SIDE RAIL LEFT & RIGHT PANEL Qty:2 PCS Carton NO: 3</p>
<p>4</p> 	<p>5</p> 	<p>6</p> 
<p>Description: BED'S CROSS RAIL Qty:1 PC Carton NO: 3</p>	<p>Description:WOODEN SLAT Qty: 4FT6IN:X 28. 5FT:X 30 Carton NO: 2</p>	<p>Description: WOODEN LEGS Qty:4 PCS Carton NO: 2</p>
<p>7</p> 	<p>8</p> 	
<p>Description:CENTRE RAIL Qty:1 PC Carton NO: 3</p>	<p>Description:LONG SUPPORT LEG Qty:2 PCS Carton NO: 3</p>	

BED

Fixings(to scale)

Ref	Dimennsions	Qty
C	Bolt-5/16*30mm	12
D	Bolt-5/16*45mm	4
E	Bolt-1/4*57mm	3
I	Nut-5/16	4
J	Washer*5/16	20
K	Spring Washer*5/16	20
L	Washer*1/4	6
M	Spring Washer*1/4	6
N	Butterfly Nut	3
O	Plastic Washer	3
(Not to scale)		
A	End Slat Cap 4ft6in: 28pcs. 5ft:30pcs	28/30
B	Centre Slat Cap 4ft6in: 14pcs. 5ft:15pcs	14/15
F	4MM Allen Key	1
G	5MM Allen Key	1
H	Spanner	1

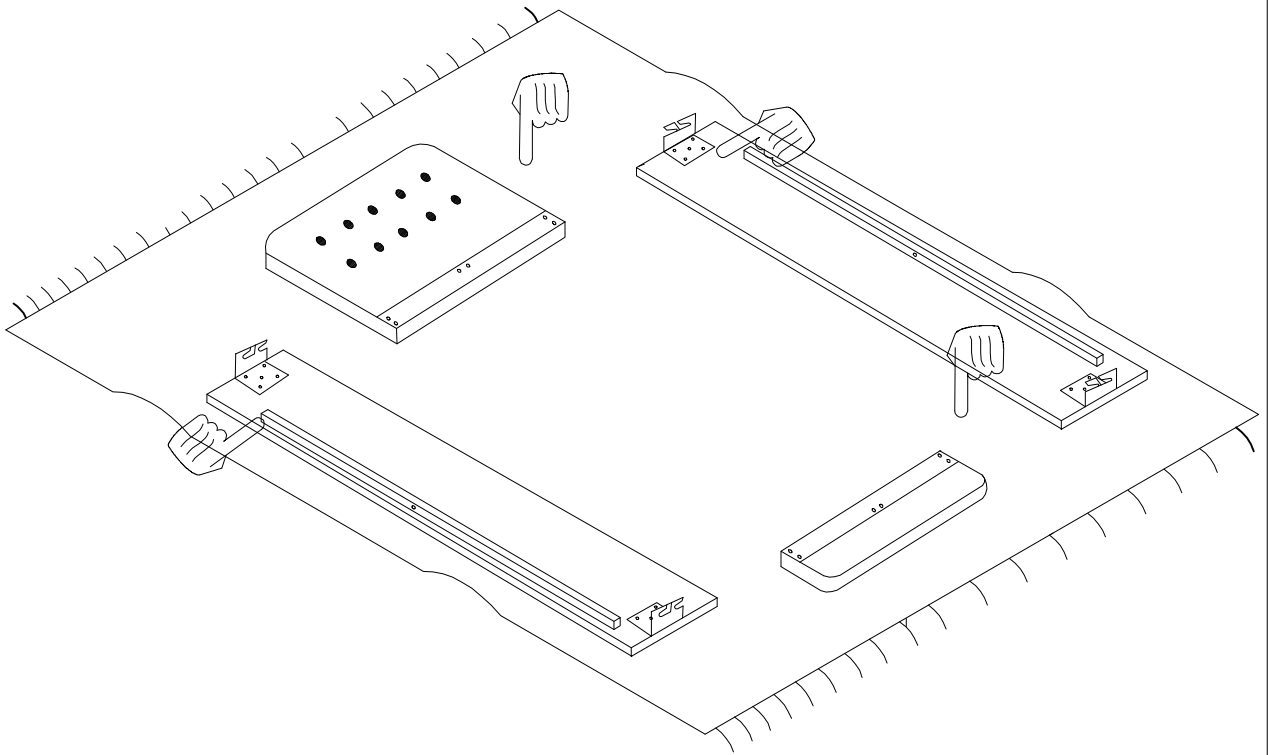


CAUTION: There are many small components used in the construction of this product. Please keep these components away from young children whilst assembling this product. If you keep the fittings in a bowl during assembly you will be less likely to lose them!

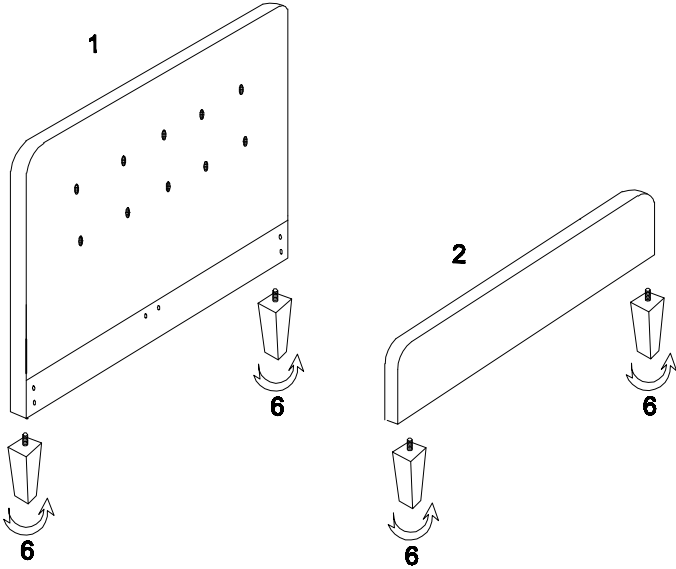
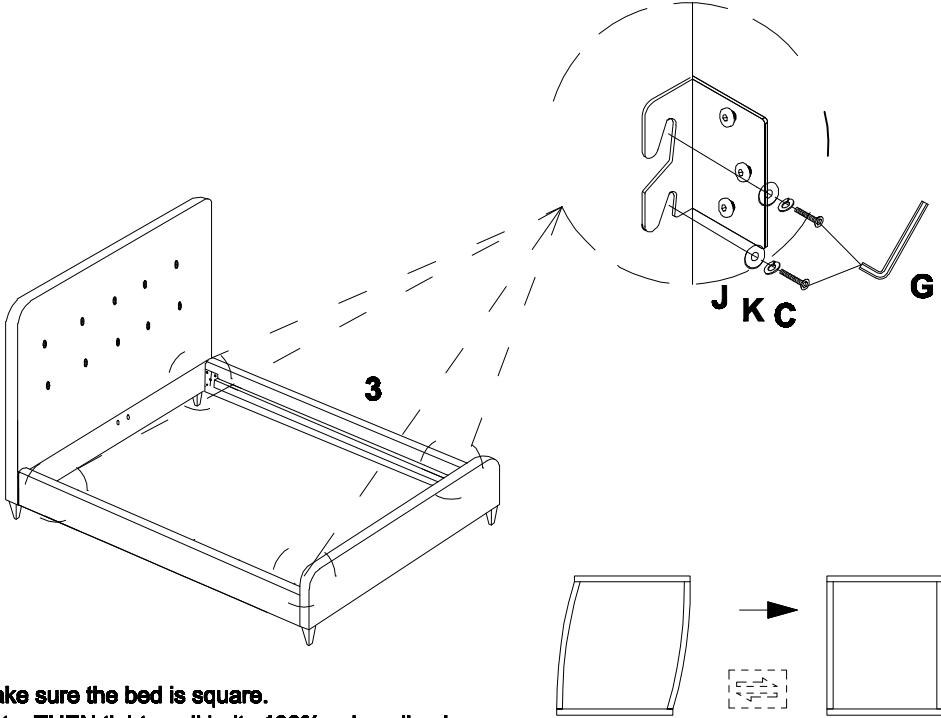
BED

Layout Parts on Soft Surface

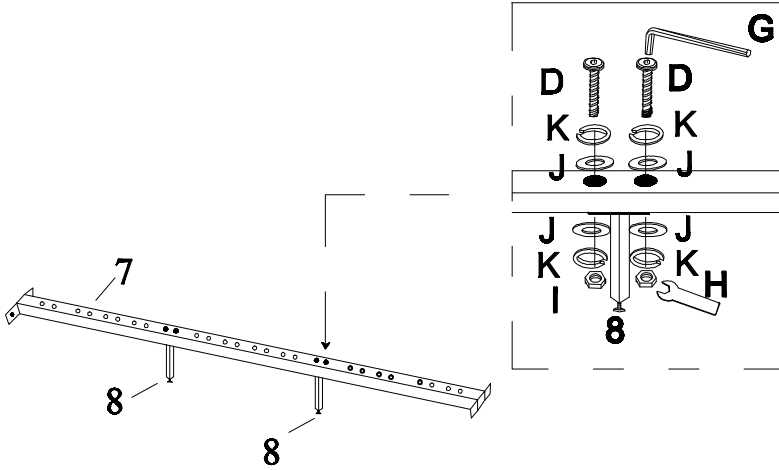
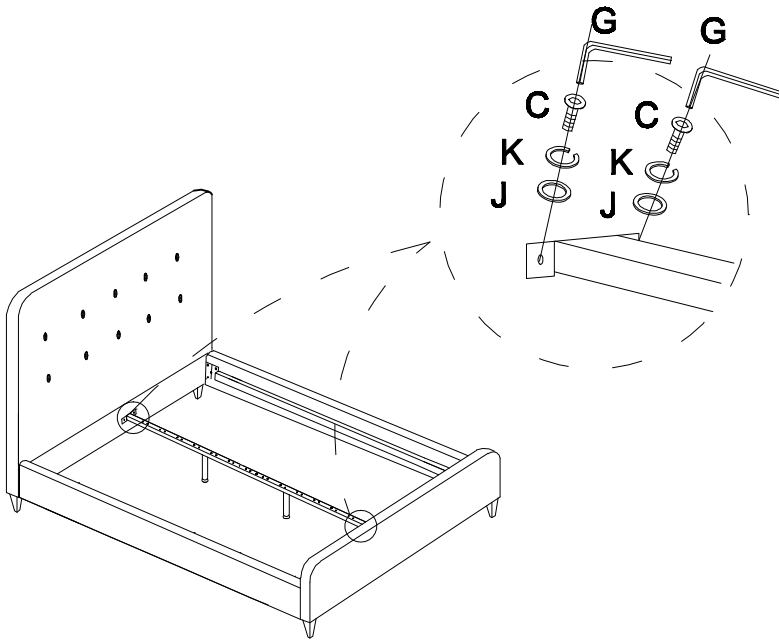
Lay out all 4 sides on a soft surface i.e. Rug, Carpet or Packing Carton



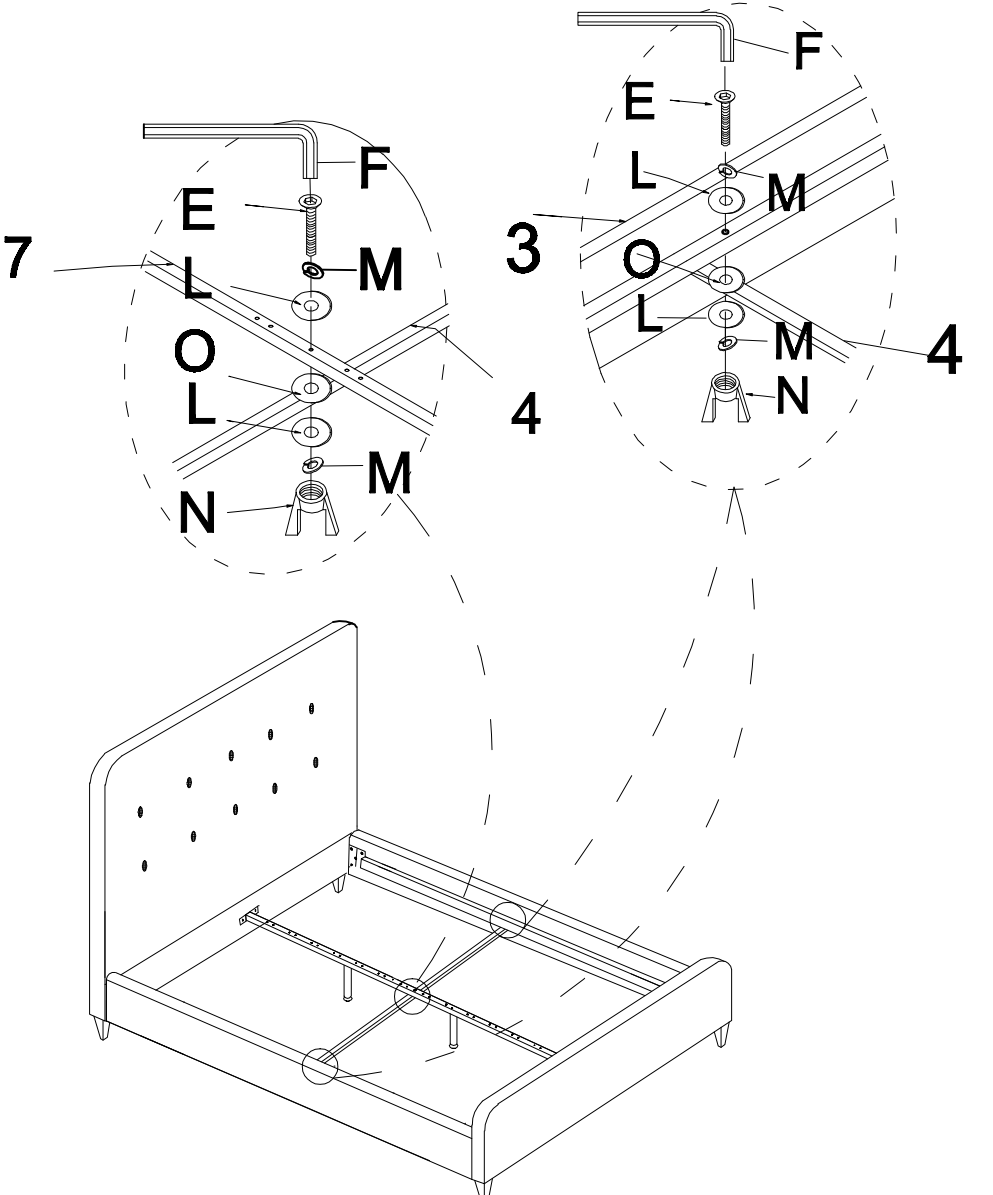
BED

STEP 1	Parts Required
	<p>1.HEADBOARD X 1 2.FOOTBOARD X 1 6.LEG X 4</p>
STEP 2	Parts Required
 <p>Make sure the bed is square. Note: THEN tighten all bolts 100% using allen key</p>	<p>3.Side Rails X 2 G X 1 C X 8 K X 8 J X 8</p>

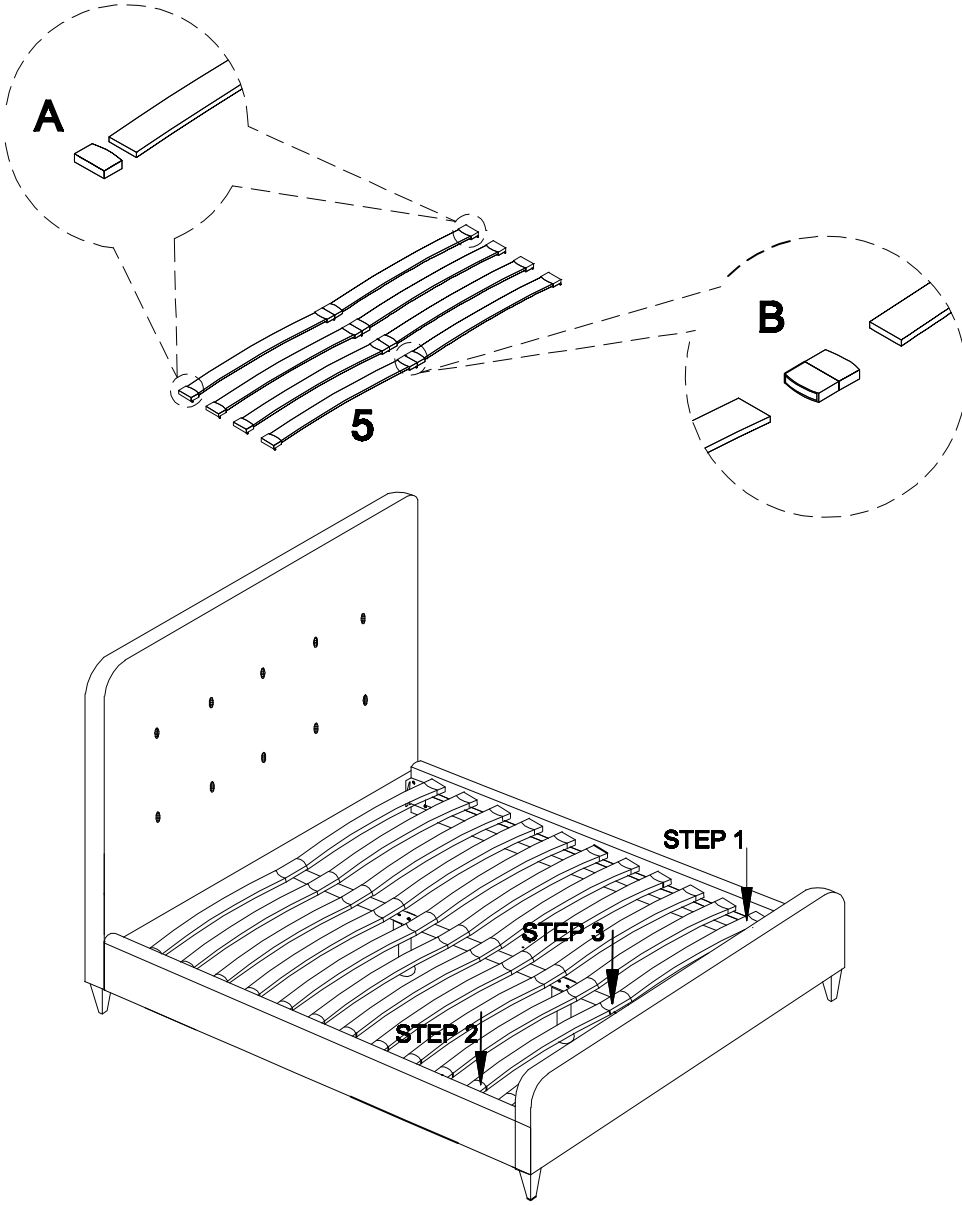
BED

STEP 3	Parts Required
	<p>7.CENTRE RAIL X 1 8.LONG SUPPORT LEG X 2 DX 4 GX 1 KX 8 JX 8 HX 1 IX 4</p>
STEP 4	Parts Required
	<p>7.Centre Rail X 1 GX 1 KX 4 JX 4 CX 4</p>

BED

STEP 5	Parts Required
 <p>7</p> <p>3</p> <p>4</p> <p>4</p>	<p>4. BED'S CROSS RAIL X 1 FX 1 EX 3 L X 6 MX 6 OX 3 NX 3</p>

BED

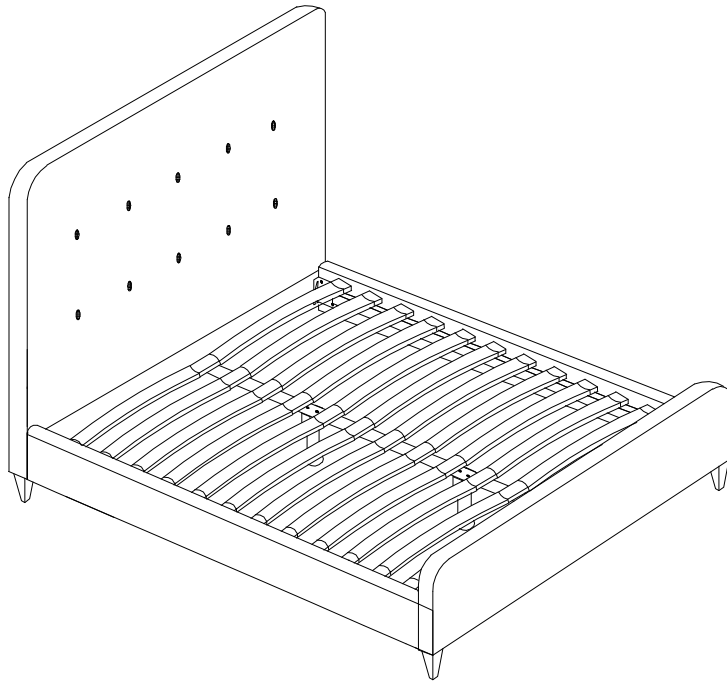
STEP 6	Parts Required
 <p>The diagram illustrates the final step of assembling the bed's base. It shows five wooden slats being inserted into the side rails of the bed frame. Callout 'A' shows a slat being inserted into a notch on the left side rail, and callout 'B' shows a slat being inserted into a notch on the right side rail. A larger view of the bed frame below shows the slats in place, with arrows labeled STEP 1, STEP 2, and STEP 3 indicating the assembly process.</p>	<p>5. WOODEN SLAT 4FT6IN:X 28 5FT:X 30 A 4FT6IN:X 28 5FT:X 30 B 4FT6IN:X 14 5FT:X 15</p>

BED

Complete Assembly

Your bed frame is now completely assembled.

Periodically check to ensure that the components are in their proper position, free from damage. Also, make sure the connectors are tight and secure.



Keep instructions for future reference

