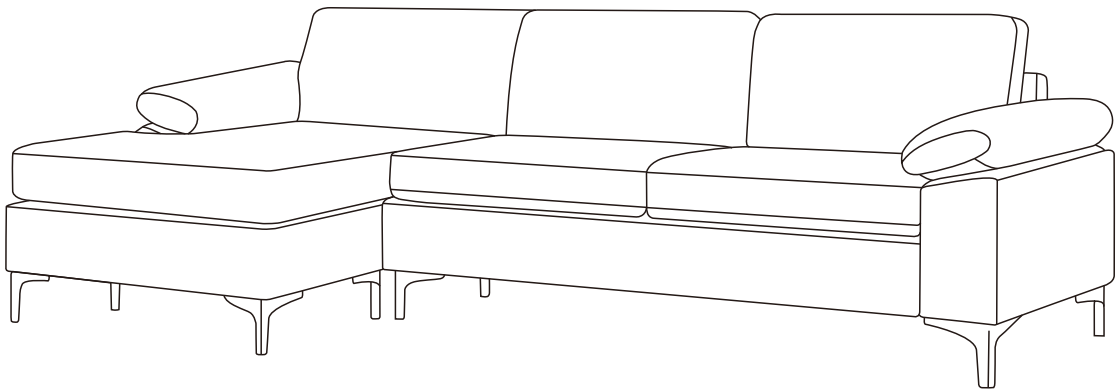
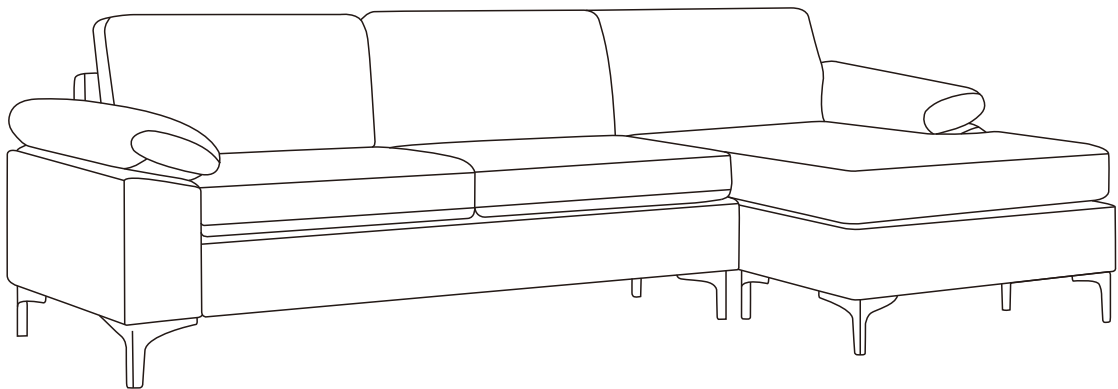


INSTRUCTIONS



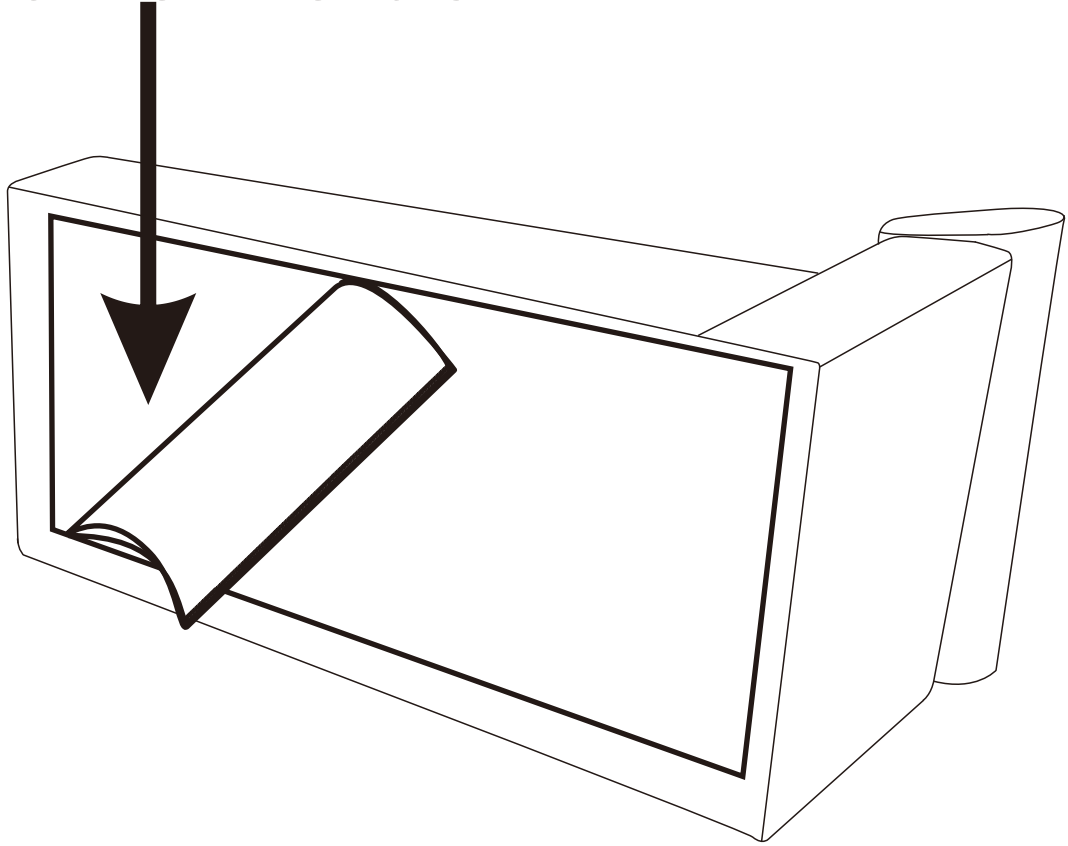
This extended ottoman is not fixed to the sofa by hardware. It can be moved from left to right. To change the chaise direction, the reversible one-piece L-shaped cushion should be flipped to fit on the chaise top.



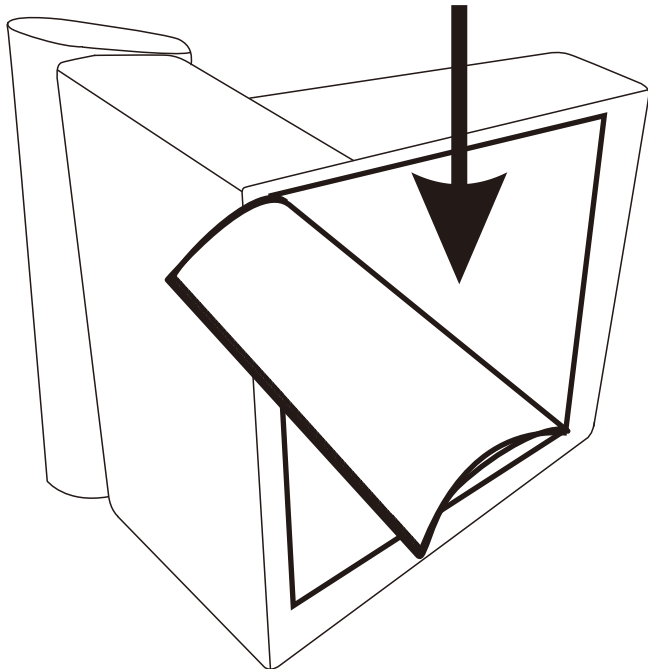
Notes: Sofa might be a little hard due to being compressed in package and long-time transport, but it will soften over time in use.

Assembly Preparation

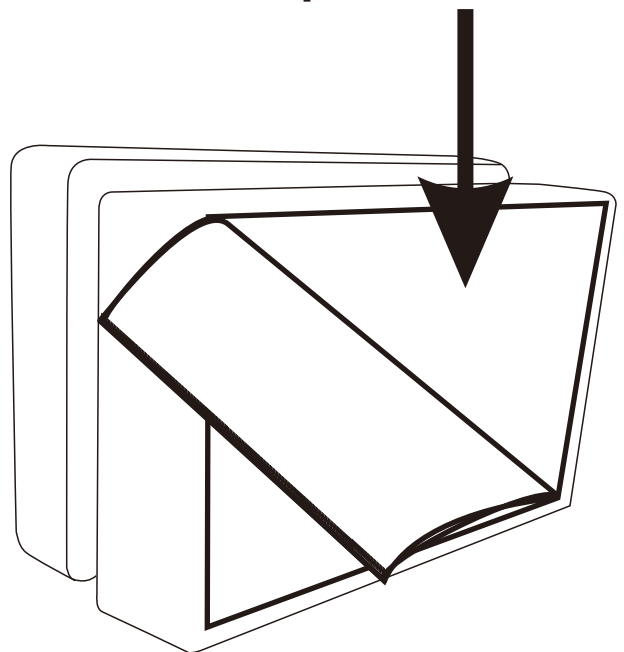
The parts inside



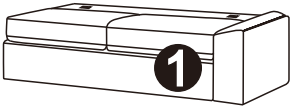
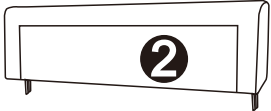



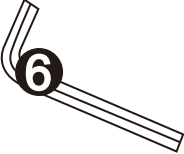

The parts inside



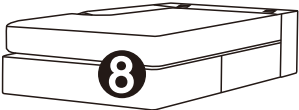

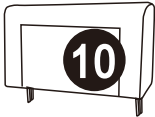


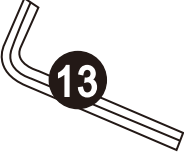


The parts inside

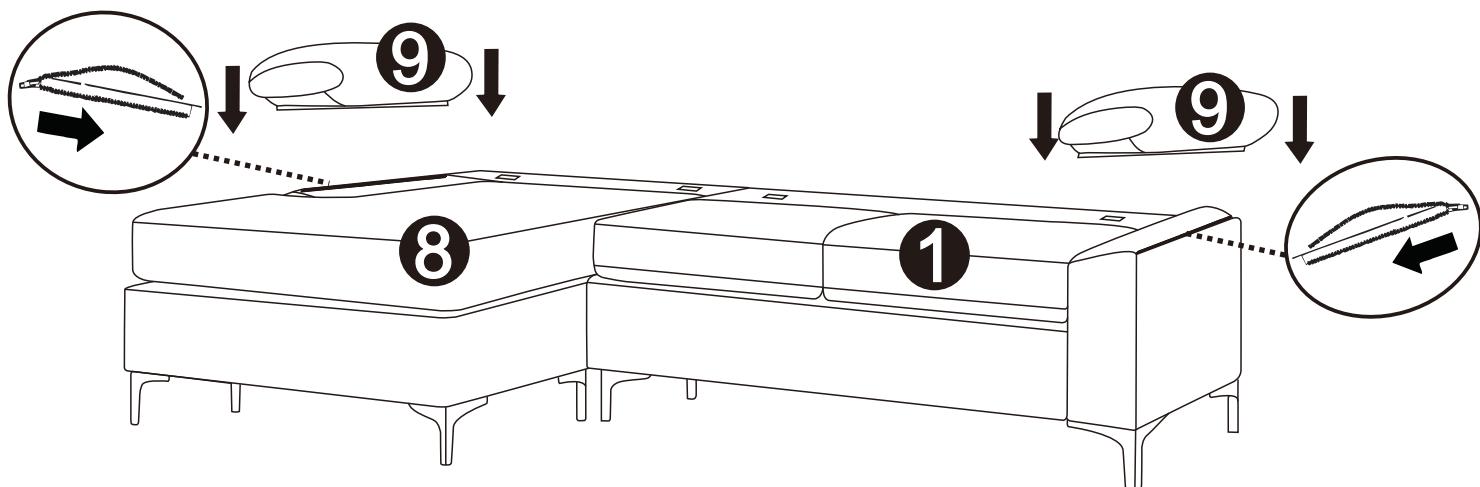
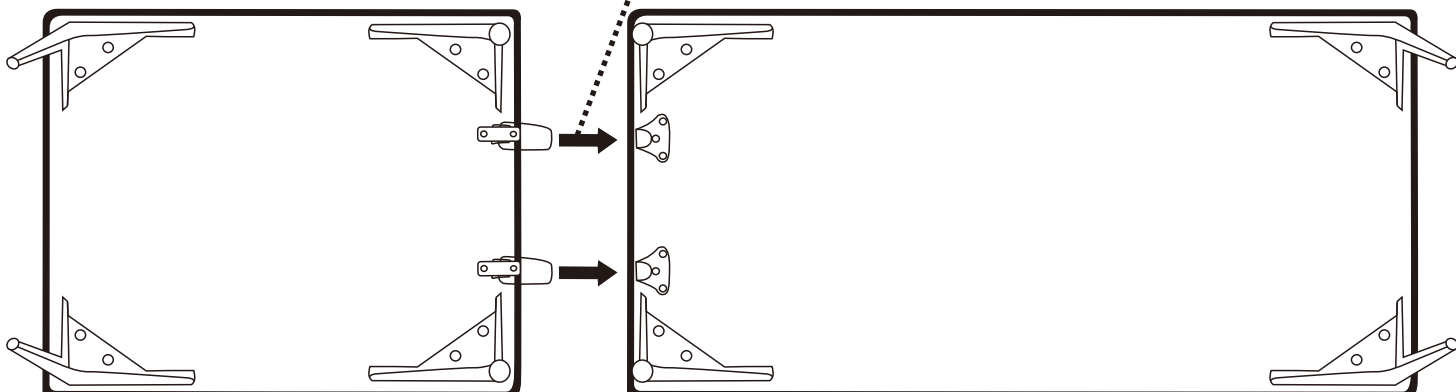
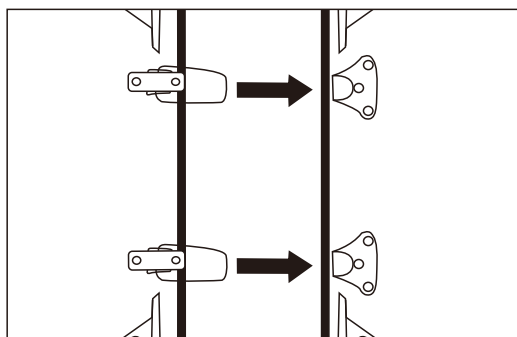
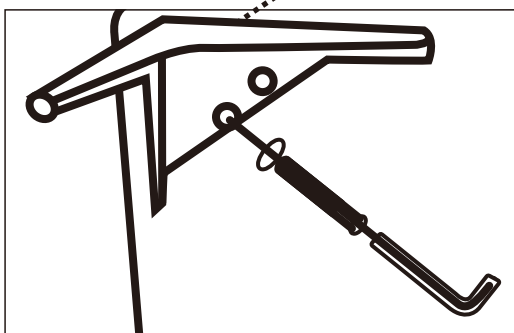
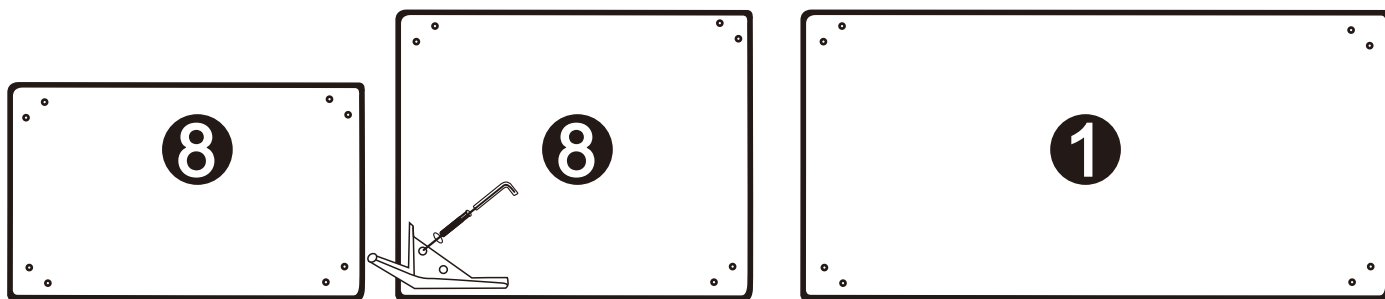


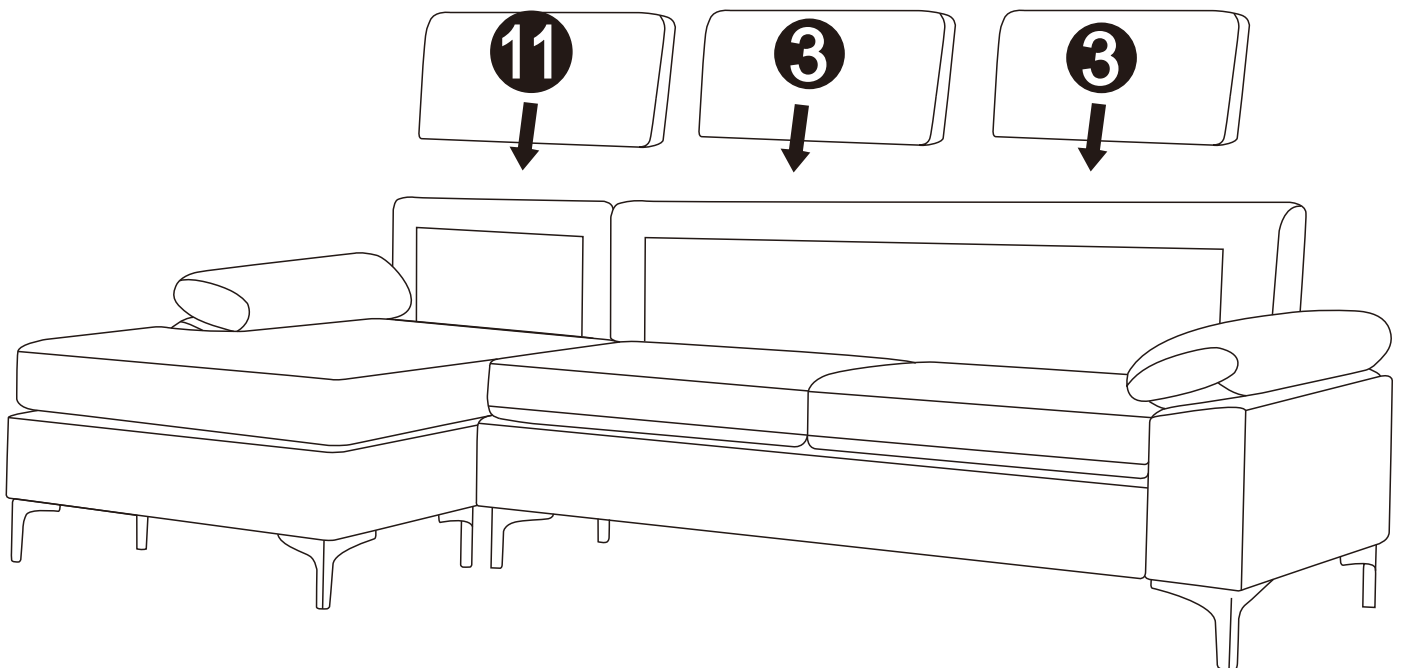
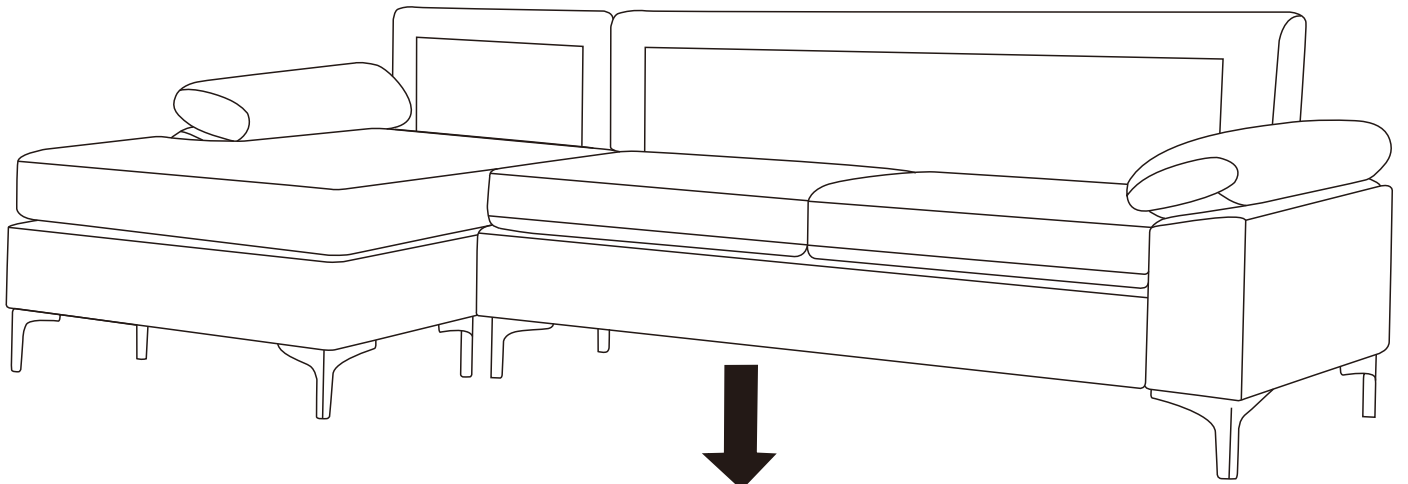
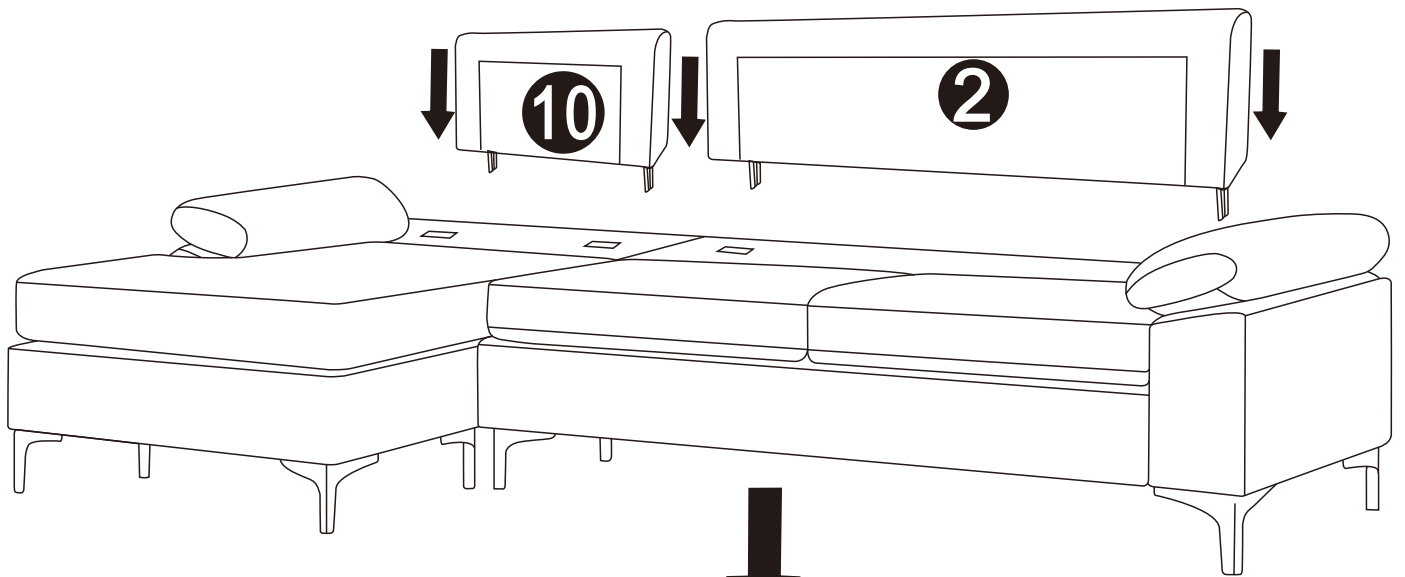
BOX-1 PARTS LIST

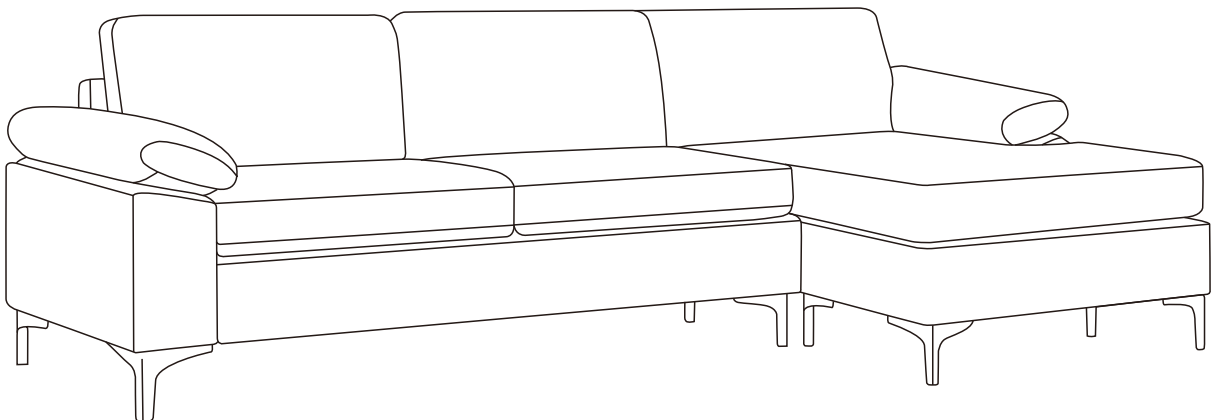
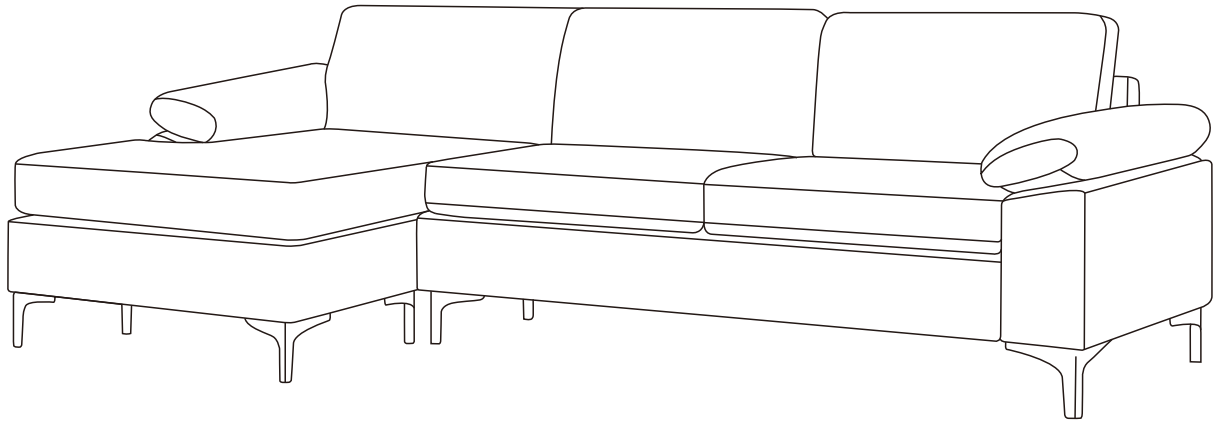
 Love seat*1	 Backrest*1	 Back cushion*2	 Washer*8
 Leg*4	 Allen key*1	 Bolt*8	

BOX-2 PARTS LIST

 CHAISE*1	 Arm cushion*2	 Backrest*1	 Back cushion*1
 Leg*8	 Allen key*1	 Bolt*16	 Love seat*16







Completed

Sofa might be a little hard due to being compressed in package and long-time transport, but it will soften over time in use.