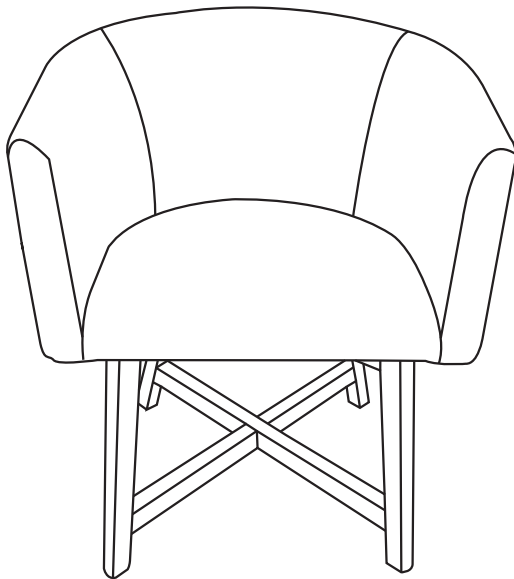


Instruction manual
Magnus Dining Chair



CONTENTS

Safety and care advice	1
Components	2
Assembly instructions	3
Copyright	7

⚠ SAFETY AND CARE ADVICE ⚠

PLEASE READ THESE INSTRUCTIONS CAREFULLY AND KEEP FOR FUTURE REFERENCE

- **Warning:** Please lift with care.
- Check you have all the components and tools listed on pages 2 and 3.
- Remove all fittings from the plastic bags and separate them into their groups.
- Keep children and animals away from the work area, small parts could choke if swallowed.
- Make sure you have enough space to lay out the parts before starting.
- Do not stand or put weight on the product, this could cause damage.
- Assemble the item as close to its final position (in the same room) as possible.

- Assemble on a soft level surface to avoid damaging the unit or your floor (use opened out unit carton).



- We do not recommend the use of power drill/drivers **for inserting screws**, as this could damage the unit. Only use hand screwdrivers.
- Dispose of all packaging carefully and responsibly.

CARE AND MAINTENANCE

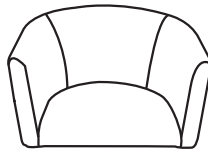
- Only clean using a damp cloth and mild detergent, do not use bleach or abrasive cleaners.
- From time to time check that there are no loose screws on this unit.

- This product should not be discarded with household waste. Take to your local authority waste disposal center.

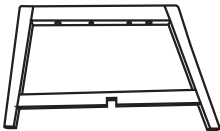
Note *If required the next page can be cut out and used as reference throughout the assembly. Keep this page with these instructions for future reference.*

COMPONENTS

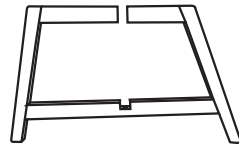
Ensure the following components are in the box before proceeding with assembly:



1 x 1



2 x 1



3 x 1

PART LIST

1	Seat	x1	2	Top leg	x1
3	Bottom leg	x1			



COMPONENTS — FITTINGS

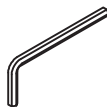
Please check you have all the fittings listed below:

A x1



6x25

F x1



B x4



6x55

C x4



6x16

D x1

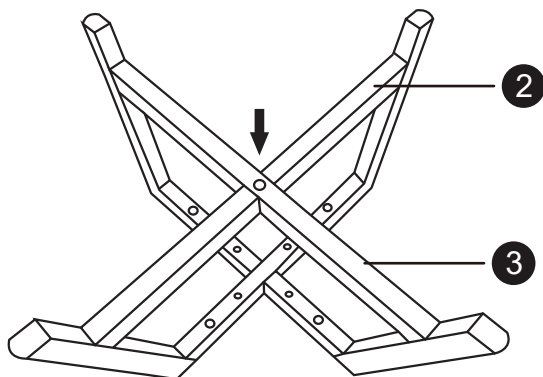


E x4

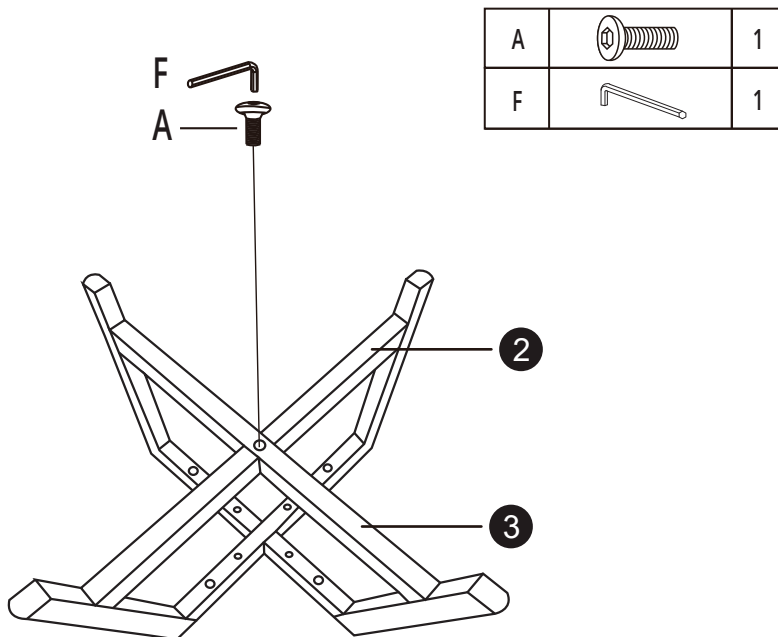


ASSEMBLY INSTRUCTIONS

Step 1

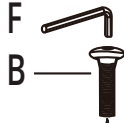




Step 2



ASSEMBLY INSTRUCTIONS

Step 3






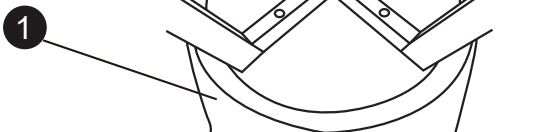
B		4
F		1



Step 4



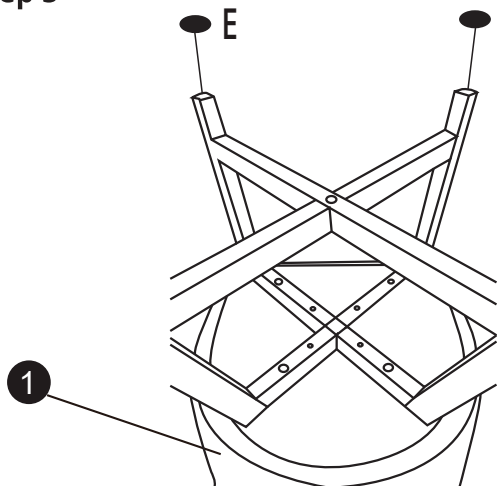
C		4
D		1
F		1



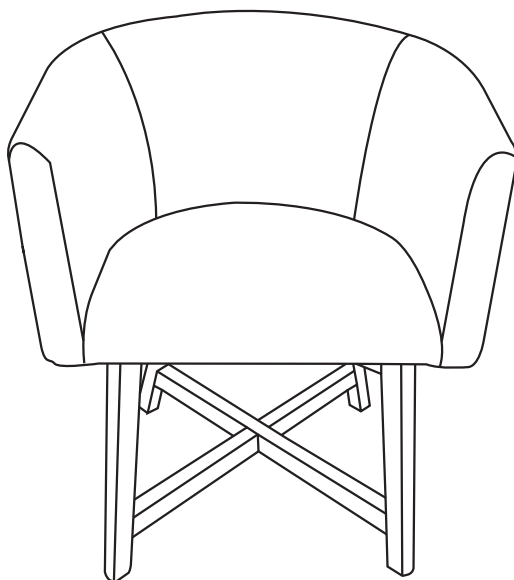
ASSEMBLY INSTRUCTIONS

Step 5

E		4
---	---	---



Step 6



IF YOU FIND A DEFECTIVE PART

We fully stock all parts and components. Any defective part can be quickly replaced. Take note of the defective part number in manual and we will arrange a replacement. You can email our team

COPYRIGHT

All material in this instruction manual is copyrighted by AGTC Ltd.

Any unauthorised use may violate worldwide copyright, trademark and other laws.