










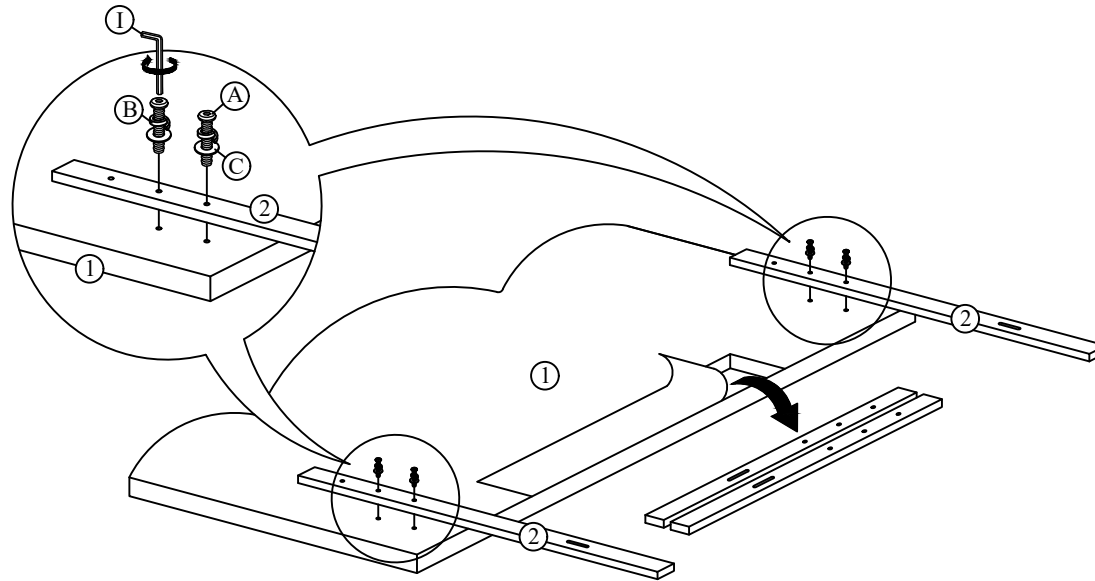


ASSEMBLY INSTRUCTION

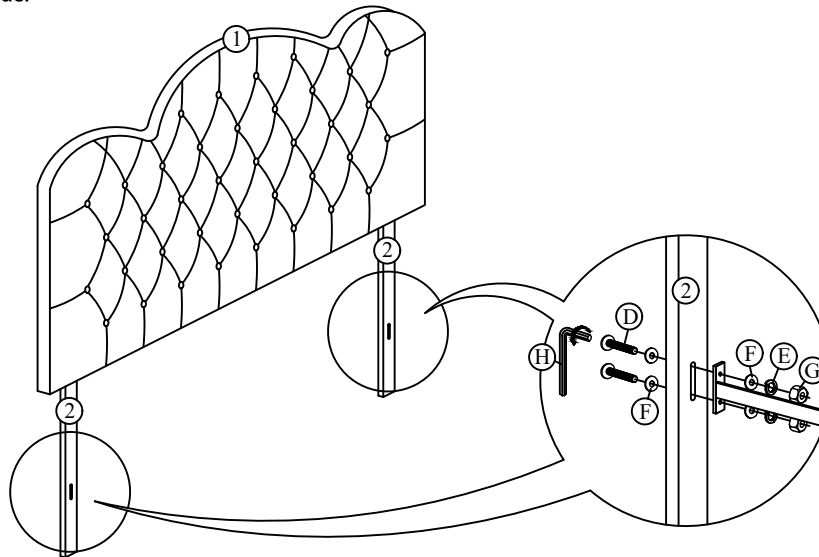
ITEM		HEADBOARD	
NO	PARTLIST		QTY
1	 HEADBOARD		1PC
2	 HEADBOARD LEG		2PCS
ITEM	HARDWARE		QTY
A	 JCBB SCREW M8 x 35MM		4PCS
B	 SPRING WASHER M8 x 14MM		4PCS
C	 FLAT WASHER M8 x 22MM		4PCS
D	 JCBC SCREW M6 x 50MM		4PCS
E	 SPRING WASHER M6 x 12MM		4PCS
F	 FLAT WASHER M6 x 19MM		8PCS
G	 HEX NUT		4PCS
H	 L - KEY M4 x 65MM		1PC
I	 L - KEY M5 x 65MM		1PC

STEP 1 : Begin assembly by attaching each headboard leg (2) to the bottom of headboard (1) by aligning the holes and securing with 2 Allen Bolts (A),2 Spring Washer (B),2 Flat Washer (C) per leg using L-Key (I)



STEP 2 : Assembly completed and the headboard is ready to use now.

NOTE : Extra screw were provided for attaching the headboard to your bed frame (use is optional). Attach the bed frame (not included) to each headboard leg (2) by using 2 Allen Bolts (D),Flat Washer (F) from the back and 2 Flat Washer (F),2 Spring Washer (E) and 2 Hex Nut (G) from the front with L-Key (H) provided. repeat the same step for the other side.



**ASSEMBLY
COMPLETED**