

Vessel Sink Installation Instructions

- * drain assembly, mounting ring and the faucet needs to be purchased separately
- * all vessel sinks do not have an overflow and require pop-up or twist drain assembly
- * follow the steps below to install your new vessel

SUGGESTED TOOLS AND MATERIALS



Adjustable Wrench



Channel Lock

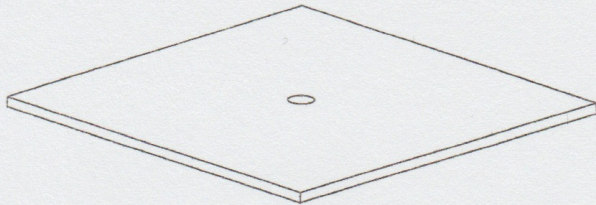


Tape Measure



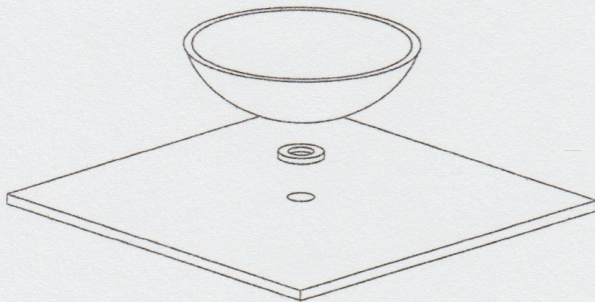
Safety Glasses

ABOVE COUNTER INSTALLATION



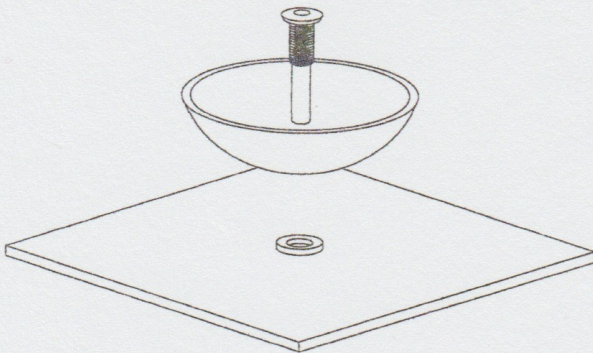
STEP 1

Cut out 1 3/4" hole on the counter-top for the drain.



STEP 2

Carefully, position the sink in the cutout opening on the mounting ring. **NOTE:** Mounting ring needs to be purchased separately with your drain assembly and the faucet.



STEP 3

Tighten the drain assembly lock nut by hand until it stops turning, make sure all the washers are used and in their proper places. Washers should be included with your drain assembly. Carefully tighten the nut with a wrench for final tightening.

CAUTION! Do not overtighten drain assembly as this may cause the vessel to chip or crack.

CARE INSTRUCTIONS

- * never use strong abrasive cleaner
- * use a soft, dampened cloth
- * never use brush or scouring pads they will scratch the glass
- * always rinse and wipe the sink to prevent soap buildup