

# **CEILING FAN INSTALLATION AND OPERATION MANUAL**

**READ AND SAVE THESE INSTRUCTIONS**

# TABLE OF CONTENTS

<b>Safety Tips</b>	<b>2</b>
<b>Unpacking Your Fan</b>	<b>3</b>
<b>Material Required</b>	<b>4</b>
<b>Electrical Outlet box</b>	<b>4</b>
<b>Install Mounting Bracket</b>	<b>5</b>
<b>Installing the Fan</b>	<b>6</b>
<b>Electrical connections</b>	<b>9</b>
<b>Blade Attachment</b>	<b>10</b>
<b>Installing Light kit</b>	<b>11-14</b>
<b>Operation</b>	<b>15</b>
<b>Maintenance</b>	<b>16</b>
<b>Trouble Shooting</b>	<b>17</b>
<b>Part List</b>	<b>18</b>

# SAFETY TIPS

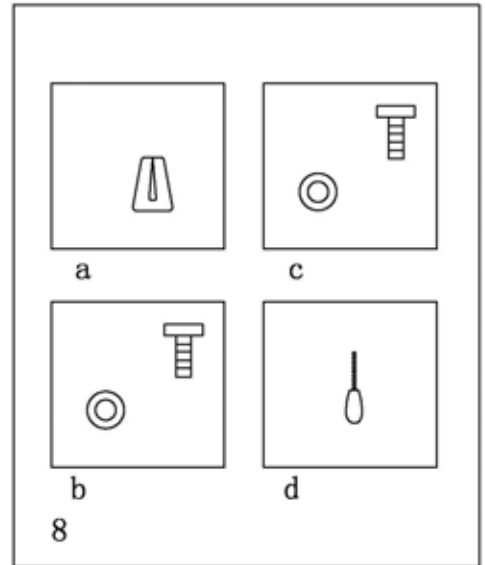
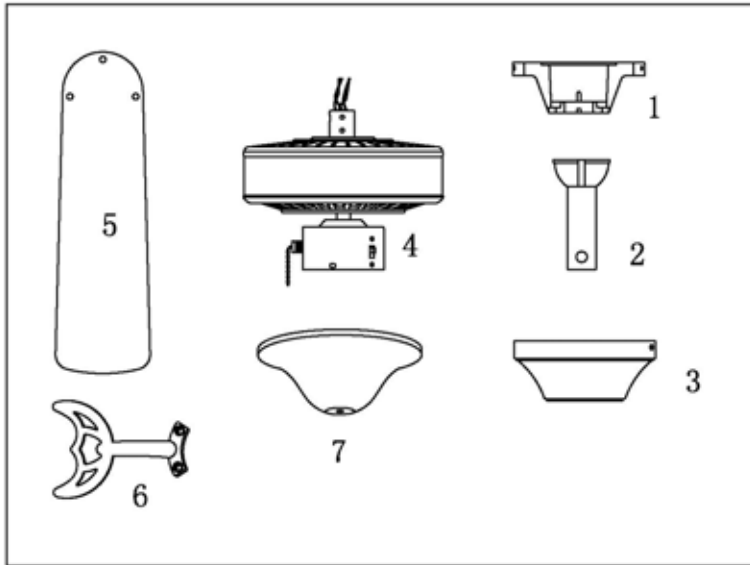
1. To avoid possible electric shock, turn off the electricity at the main fuse box or circuit panel before you begin the fan installation or before servicing the fan or installing accessories.
2. **CAUTION: READ ALL INSTRUCTIONS AND SAFETY INFORMATION CAREFULLY BEFORE INSTALLING YOUR FAN AND SAVE THESE INSTRUCTIONS.**
3. Make sure all electrical connections comply with local codes or ordinances and the national electrical code. If you are unfamiliar with electrical wiring, please use a qualified and licensed electrician.
4. Make sure you have a location selected for your fan that allows clear space for the blades to rotate, and at least seven (7) feet of clearance between the floor and the fan blade tips. The fan should be mounted at least thirty (30) inches from walls or other upright structures.
5. **WARNING:** The outlet box and ceiling support joist used must be securely mounted, and capable of supporting a minimum of 50 pounds.
6. **WARNING:** To reduce the risk of fire, electric shock or personal injury, mount to outlet box marked acceptable for fan support of 15.9 kg(35 lbs) or less and use mounting screws provided with the outlet box. Most outlet boxes commonly used for the support of luminaires are not acceptable for fan support and may need to be replaced. Consult a qualified electrician if in doubt.
7. Electrical diagrams are for reference only. Light kits that are not packed with the fan must be UL listed and marked suitable for use with the model fan you are installing.
8. After installation is complete, check that all connections are absolutely secured.
9. After making electrical connections, spliced conductors should be turned upward and pushed carefully up into outlet box. The wires should be turned spread apart with the grounded conductor and the equipment-grounding conductor on one side of the outlet box.
10. **WARNING:** To reduce the risk of fire, electrical shock. Do not use this fan with any solid-state fan speed control device, or rheostat.
11. Do not insert anything into the fan blades while they are rotating.
12. **WARNING:** To reduce the risk of personal injury, do not bend the blade brackets when installing the brackets, balancing the blades, or cleaning the fan. Do not insert foreign objects in between rotating fan blades.
13. To avoid personal injury or damage to the fan and other items, be cautious when working around or cleaning the fan.
14. Do not use water or detergents when cleaning the fan or fan blades. A dry dust cloth or lightly dampened cloth will be suitable for most cleaning.
15. Instructions for supply connections: conductor of a fan identified as grounded conductor to be connected to a grounded conductor of power supply, conductor of fan identified as ungrounded conductor to be connected to an ungrounded conductor of power supply, conductor of fan identified for equipment grounding to be connected to an equipment-grounding conductor.

**NOTE:** The important safety precautions and instructions appearing in this manual are not meant to cover all possible conditions and situations that may occur. It must be understood that common sense and caution are necessary factors in the installation and operation of this fan.

**CAUTION:** To reduce the risk of injury to person, install fan so that the blade is at least 2.1 Meters (7 Feet) above the floor.

# UNPACKING YOUR FAN

1. Unpack your fan and check the contents. Do not discard the carton. If warranty replacement or repair is ever necessary the fan should be returned in original packaging. Remove all parts and hardware. Do not lay motor housing on its side: the decorative casting may shift.
2. Examine all parts. You should have the following:



1. Mounting Bracket
2. Downrod/Ball assembly
3. Ceiling canopy
4. Fan Housing Motor, and switch housing. Remove rubber shipping spacers from motor. Keep them in case you need to return fan.
5. Set of Blades
6. Blade Arms
7. Light Kit (or different light)
8. Parts Pack Containing:
  - A/ Mounting bracket hardware (wire nuts)
  - B/ Blade attachment hardware (screws with washers for each blade).
  - C/ Blade arm attachment hardware (motor screws and lock washers may already be in fan motor)
  - D/ Pull chain/Ball

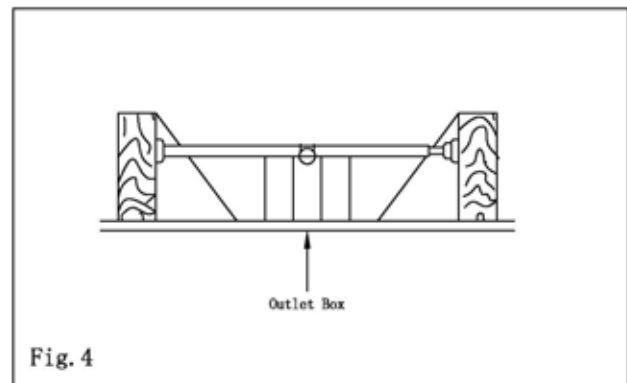
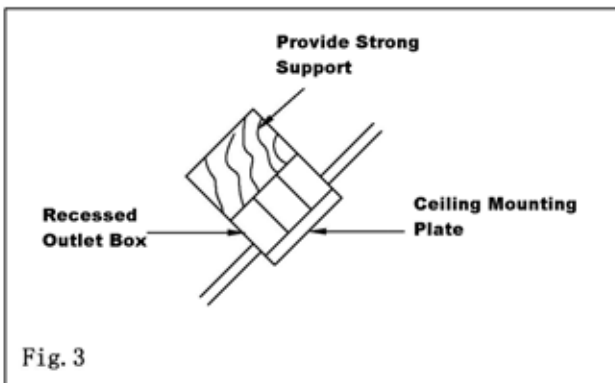
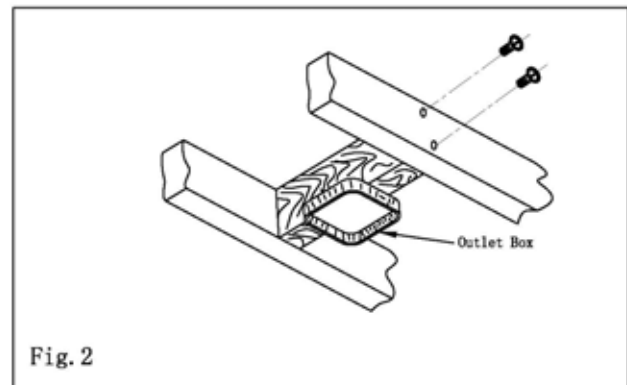
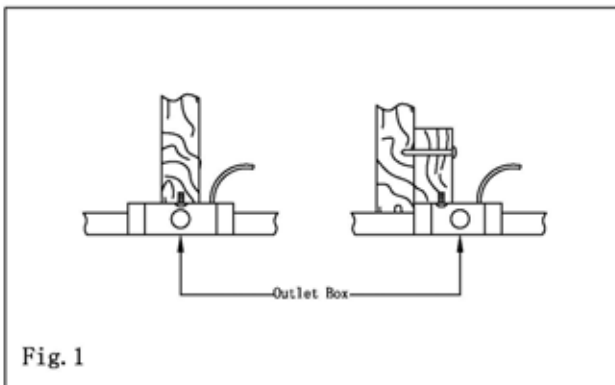
# TOOLS AND MATERIALS REQUIRED

- Phillips screw driver
- Blade screw driver
- Adjustable pliers or wrench
- Step Ladder
- Wire cutter
- Electrical tape



## ELECTRICAL OUTLET BOX

1. If there is an existing outlet box, ensure it is clearly marked "Suitable For Fan Support". If not, it must be replaced with an approved one.
2. Secure the outlet box (or make sure the existing box is secured) directly to the building structure. Use appropriate fasteners and building materials. Wood joist and outlet box must be able to support a minimum of 50 pounds.
3. Figure 1,2 and 3 are examples of different ways to mount the outlet box in different situations. A longer down rod may be required in sloped ceiling situations to maintain proper blade clearance.
4. To hang the fan in locations where no ceiling joists is available. A hanger support bar may be required (Fig. 4)

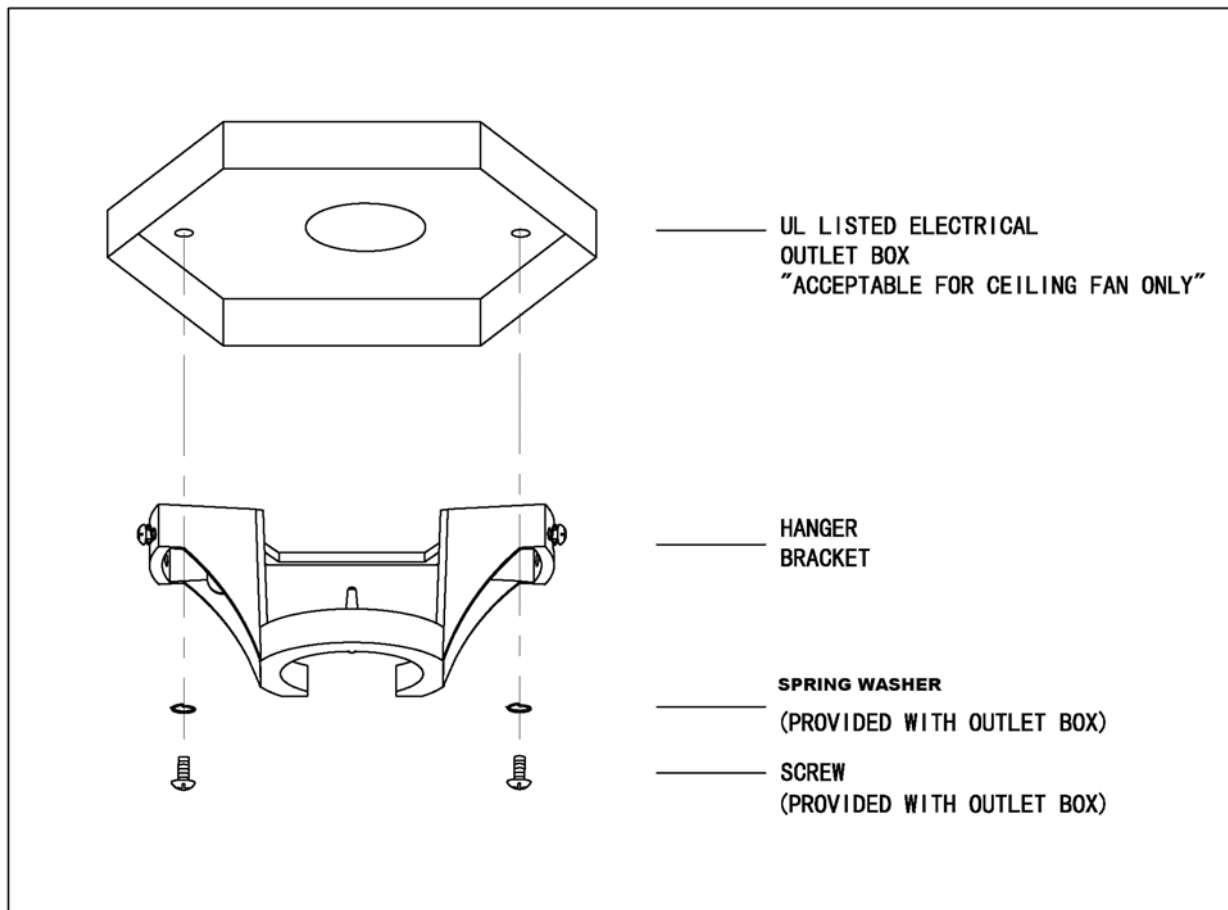


# INSTALL MOUNTING BRACKET

1. To avoid possible electrical shock, be sure electricity is turned off at the main power panel before wiring.

All wiring must be in accordance with National and Local Electrical Codes, and the ceiling fan must be grounded as a precaution against possible electrical shock.

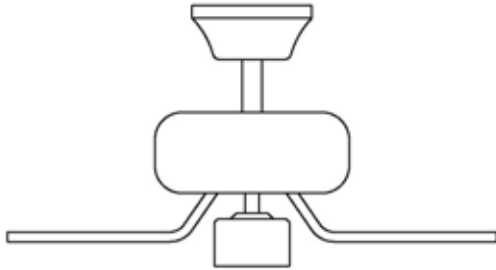
2. Attach hanger bracket to outlet, box using screws provided with the outlet box (Fig. 5)



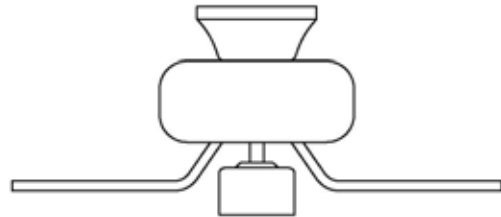
# INSTALLING THE FAN

## SELECT TYPE OF INSTALLATION

### HANG DOWN

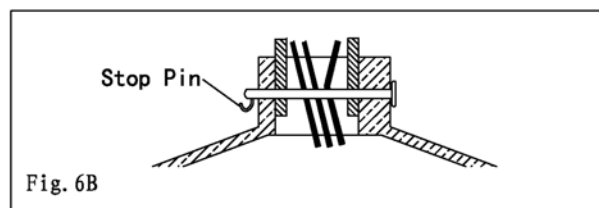
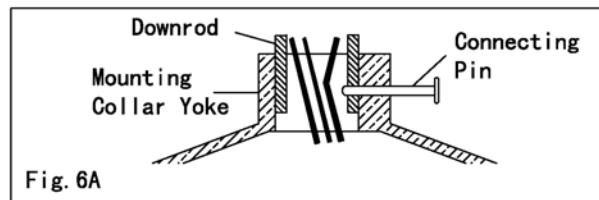
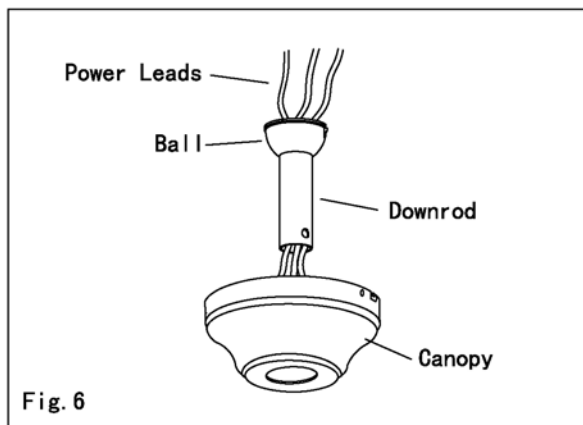


### HUGGER



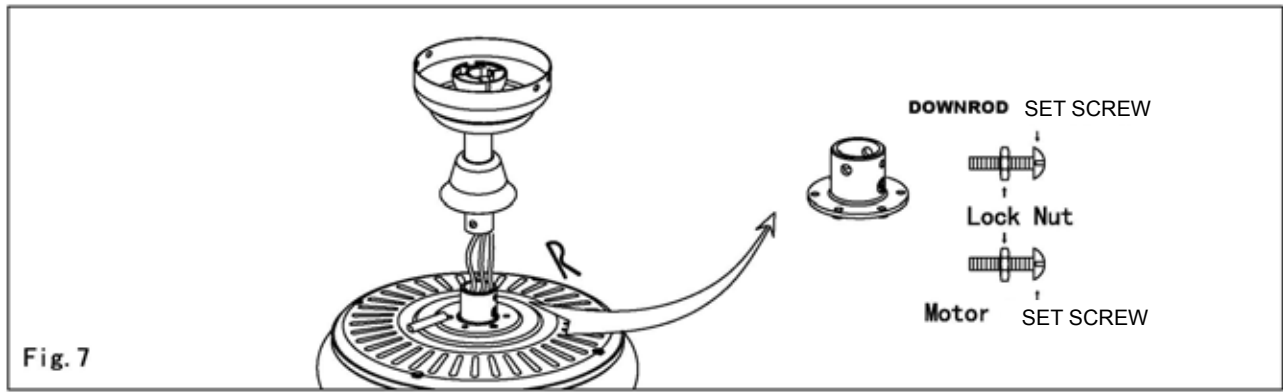
## HANG DOWN STYLE

1 Slide the canopy on the downrod(Fig.6) Thread the power leads from the fan through the canopy and downrod. Take extra care not to pull on power wires. Damage and loose connections could result from any abnormal pressure on these wires. Set downrod into downrod collar yoke. Route until the holes match. Being careful not to damage wiring, insert connector pin through the holes (See Fig. 6A. 6B). Secure the pin by inserting the stop pin through the connector pin.

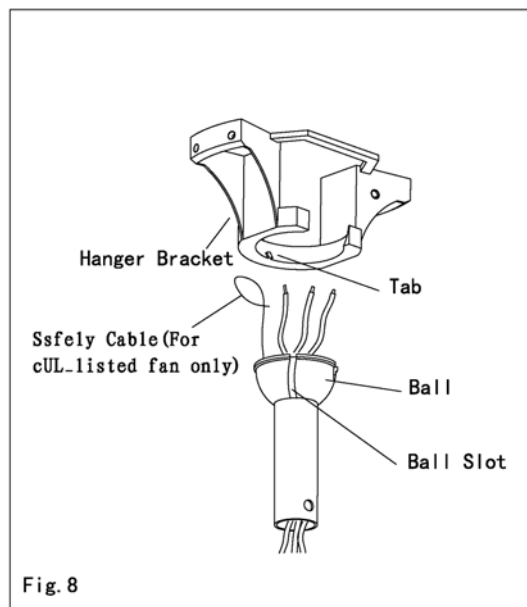


**WARNING:** Do not force connector pin through downrod. Use of force could cause damage to wires inside. Make sure the stop pin is properly engaged to prevent it from falling out.

2 Tighten downrod setscrew. Some models have a locknut for the setscrew. To insure the setscrew fully seats against the downrod. It is necessary to back off the locknut until it contact the setscrew head prior to tightened the setscrew. When setscrew is tightened against downrod.locknut should then be tightened against connector yoke. Some models have 2 downrod setscrews. Repeat for both (Fig.7)



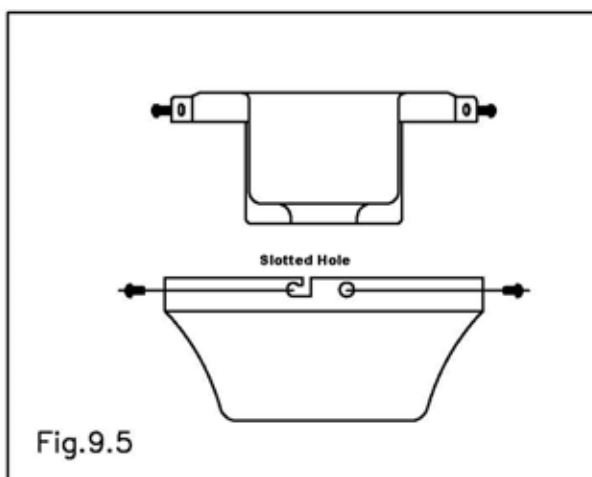
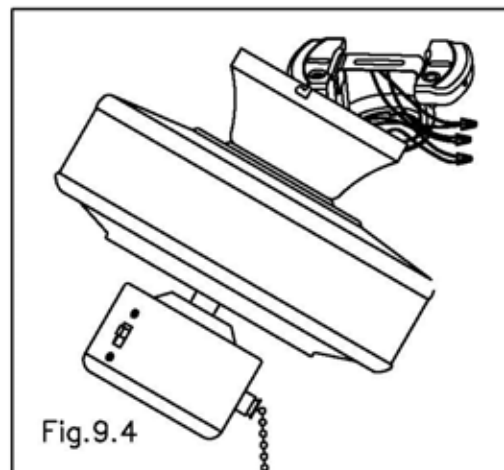
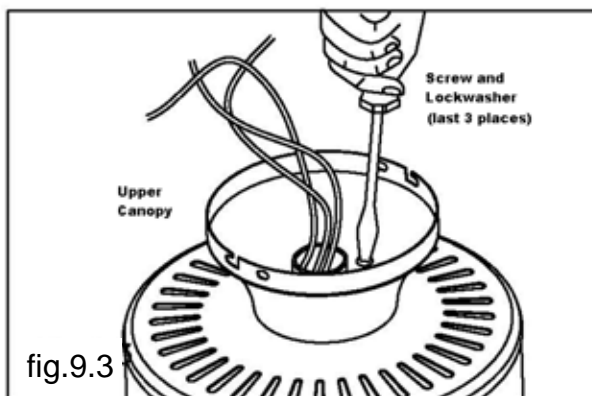
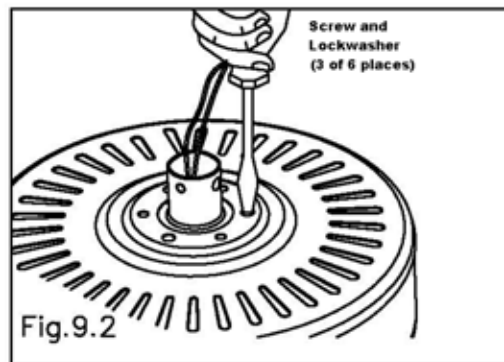
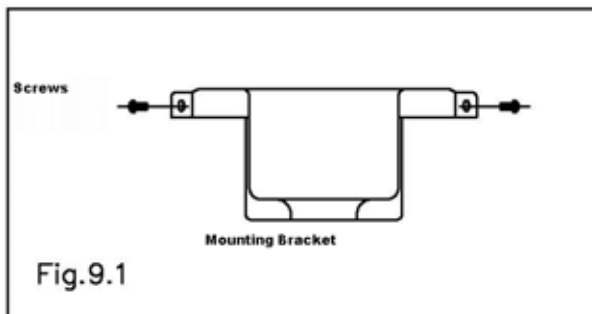
3. Tighten motor set screw. Check the strength of this connection (pre-tightened at factory) by holding the motor housing in position and turning the downrod counter clockwise. If this connection slips, retighten motor setscrew and locknut. Follow the same procedures as mentioned above for downrod setscrew.
4. Install ball into hanger bracket opening. The tab opposite of the hanger bracket opening should fit in slot on ball (Fig 8) .



5. Make wire connections (refer to section titled” Electrical Connections”) **For cUL-listed fan, please secure the safety cable to the junction box.**
6. Slide canopy up, and fasten to hanger bracket with the 4 screws provided.  
**WARNING:** To avoid damaging the blade arms and blades, do not install either until fan is fastened to ceiling. To avoid motor shift, handle fan by downrod or switch housing only.

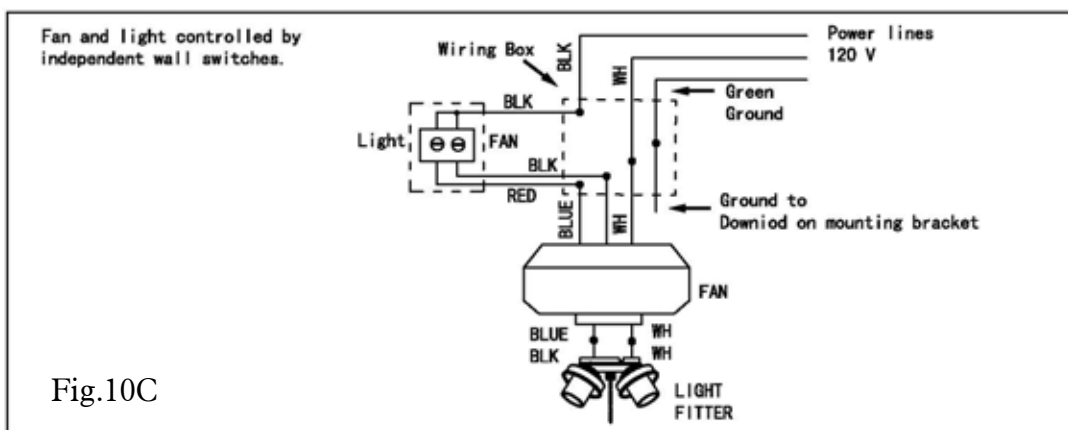
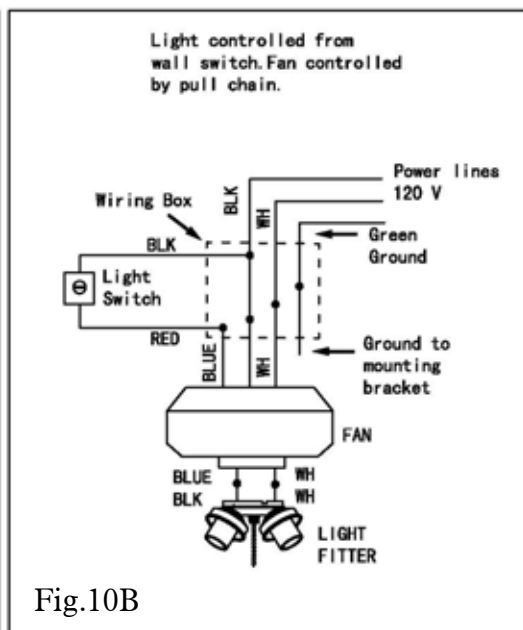
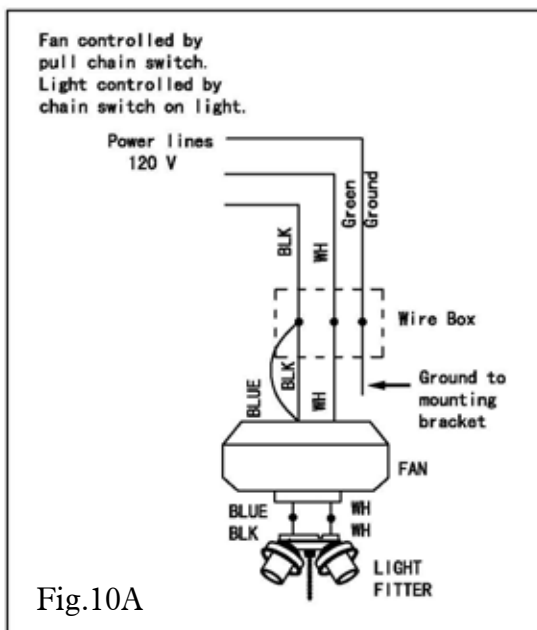
# HUGGER STYLE

1. Put 2 screws in the hanger bracket. Leaving them partially out. (Fig. 9.1).
2. Remove three of the six screws and lock washers (every other one) from the top housing (Fig. 9.2)
3. Place the ceiling canopy over the collar on the top of the motor housing. Align the mounting holes with the holes in the motor and fasten, using the three screws and lock washers which are removed in Step 2 (Fig. 9.3)
4. Move the fan assembly up and connect the wires from fan to the wires from ceiling. (Fig. 9.4)
5. Make wire connections (refer to section titled" ELECTRICAL CONNECTIONS") For cUL-listed fan, please secure the safety cable to the junction box.
6. Place the canopy up on the hanger bracket by inserting the slotted opening of the canopy on the screws. (Fig.9.5)
7. Insert the remaining screws through the remaining canopy holes and tighten all 4 screws.



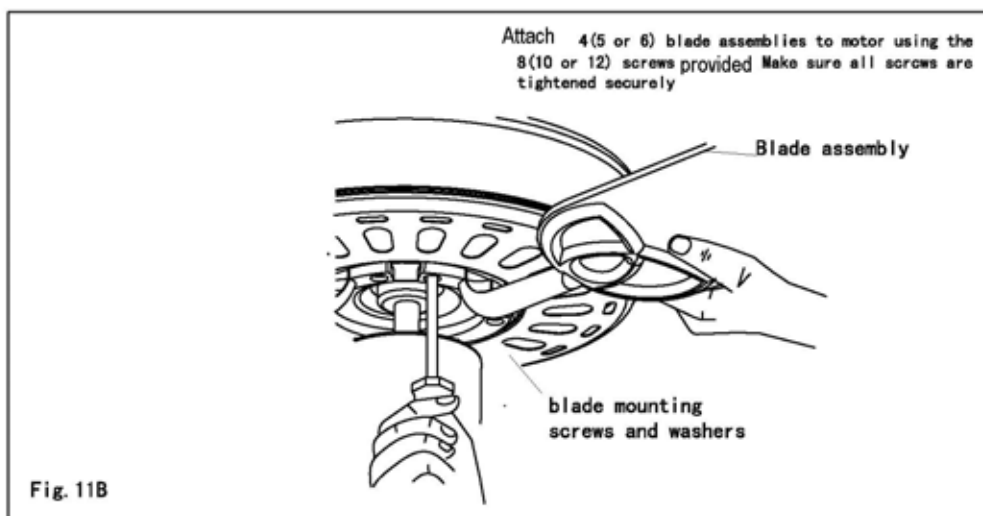
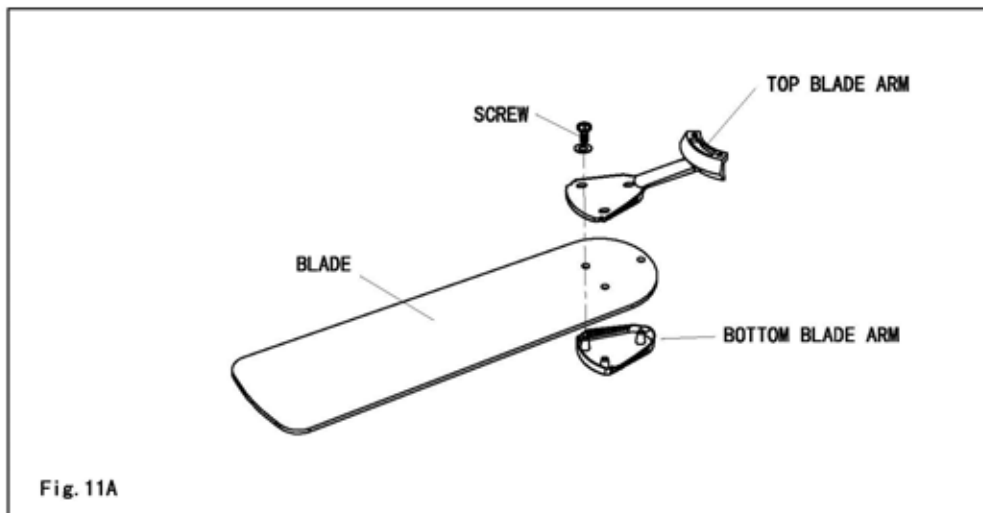
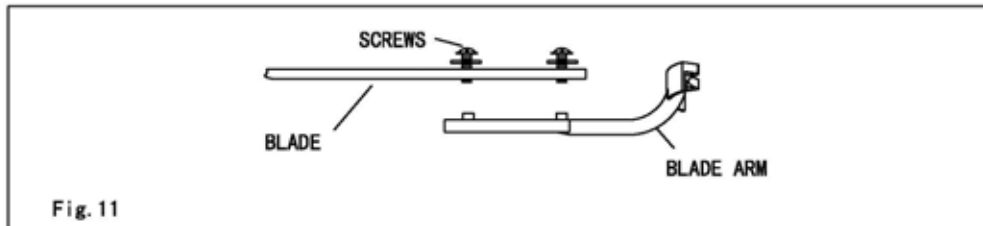
# ELECTRICAL CONNECTIONS

1. Four wires are connected to the top of the fan.
  - Black: " Hot" Power/Live for the fan
  - Blue: " Hot" Power/ Live for the light kit
  - White: "Common"/Neutral for the fan and the light kit
  - Green/Green & Yellow: "Ground" /Earth wire
2. If the fan and light are connected to the same circuit, the black and blue wires should be connected together to the black wire in the ceiling using a wire nut to make the connection.
3. The white wire from the fan should be connected to the white wire in the ceiling, using a wire nut to make the connection.
4. The green wire from the fan should be connected to the ground wire in the ceiling, using a wire nut to make the connection.



# BLADE ATTACHMENT

1. Place screw through the blade and start the screw into the blade arm repeat this procedure without tightening the screw until all 3 screws have been started into the blade arm (Fig.11). As most fan use concealed screw blades arms, screws may not go through the whole blade arms.
2. Tighten each screw starting with center screw.
3. Fasten blade assembly to motor with provided screws. Repeat procedure for remaining blades. (Fig. 11B)
4. Make sure the blades are more than /at least 7 feet from the floor, avoid any object in the path of the blades.

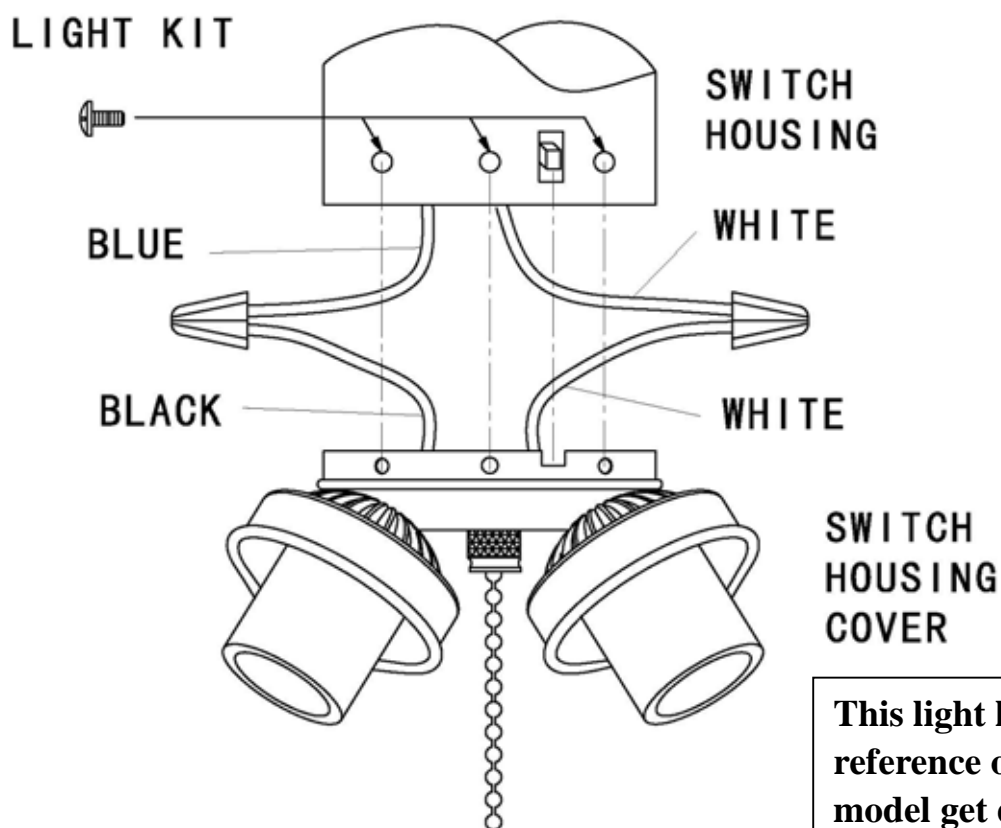


## INSTALLING GENERAL TURTLE LIGHT KIT (OPTIONAL)

1. Locate two wires in the switch housing (white and blue labeled "for light").
2. Connect them to the light kit wire connectors (Fig. 12)
  - White to white
  - Blue to blueSecure all splices with electrical tape to prevent connectors from vibrating loose during fan operation.
3. Carefully push all wires back into the switch housing. Then attach housing cover plate to switch housing with the 3 screws provided.
4. Attach the glass shades to the light kit, using 3 thumb screws per shade (provided). Do not over-tighten the thumb screws as glass may break. Install light bulbs. Glass shade & thumb screws are not provided on the spot light fan.
5. Restore power and your light kit is ready for operation.
6. If the light kit does not work, turn off the electricity and lower the canopy on your ceiling fan. Make sure the blue wire is connected to black household wires (please refer to electrical connections section in this manual).

### WARNING:

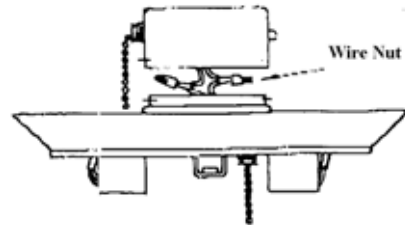
All suspended fan (not hugger) with 190W light limiter. If the total wattage of the light bulb(s) is more than 190W, the light is OFF until the total wattage reduce to below 190W.



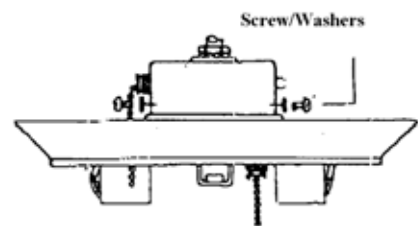
**This light kit is for reference only, some model get different light kit, but they are installed in similar way**

# INSTALLING DISC BOWL LIGHT KIT(OPTIONAL)

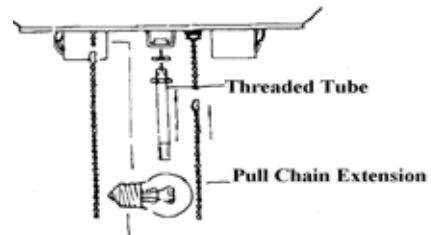
1. Remove switch housing screws and then remove bottom cap of switch housing shell on fan.
2. Locate two wires in the switch housing (white and blue labeled "for light"). Connect them to the light kit wire connectors.
  - White to white
  - Blue to blueSecure those wires with wire nuts in the fan.



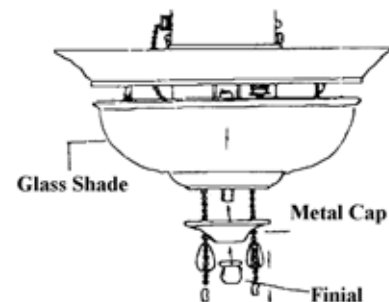
3. Carefully push all wires back into the switch housing. Then attach housing cover plate to switch housing with the 3 screws provided.



4. Install light bulbs to the lampholder.



5. Attach the glass shades to the light kit, and screw up the finial. Do not over-tighten the finial, glass may break. Slide the bowl glass over the threaded nipple, followed by the cap, and then finial. Twist finial clockwise until snug (see figure).
6. Lower chains thru hole in bowl and glass cap.
7. Attach chain extension.



8. Restore power and your light kit is ready for operation.
9. If the light kit does not work, turn off the electricity and lower the canopy on your ceiling fan. Make sure the blue wire is connected to black household wires (please refer to electrical connections section in this manual).

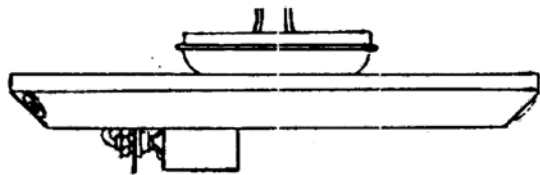
## WARNING:

All suspended fan (not hugger) with 190W light limiter. If the total wattage of the light bulb(s) is more than 190W, the light is OFF until the total wattage reduce to below 190W.

# INSTALLING DISC LIGHT KIT (OPTIONAL)

1. You may purchase a fan with Light Pan instead of cluster light kit mentioned above. For any kind of light kit, you should complete the blade installation before attaching this light kit assembly. REMEMBER to discount the main power before installing the light kit by removing the fuse or circuit at the electrical panel box

## Parts Identification



Light pan



Glass shade

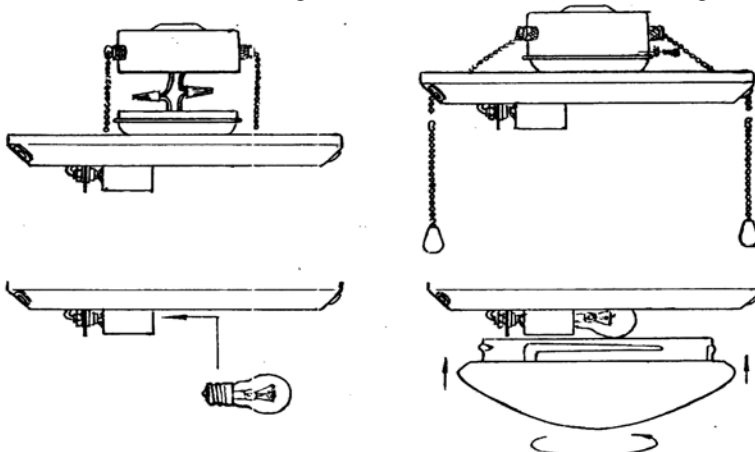


Pull chain

2. The whole light kit assembly includes the above parts. Locate these parts from the package and be careful not to damage the glass shade.
3. Locate the two light kit wires from the switch housing of the fan assembly. Attach the light kit wires from the light pan to the light kit wires of the switch housing, White to White, Black to Blue of the switch housing using the wire nuts provided.
4. Align the three holes on the light pan with the three holes on the switch housing rim. Secure the light pan onto the switch housing with the three screws and washers provided.
5. Install the light bulb onto the lampholder sockets.
6. The glass shade belongs to the twist-and-lock type. The rim of the glass shade comes with two grooves. Align the openings of the two grooves with the two notches of the light pan.
7. Turn the glass shade under the light pan along the grooves until the glass is completely in place. When it is locked in place, it cannot be loosened just by counter-rotating the glass. Try this to make sure that the glass is safely locked.
8. Route the two pull chains through the two holes on the side of the light pan.
9. Attach the pull chain extensions at this stage by passing the extension chains.
10. Check that all assemblies are firmly secured. Your light kit is now ready for use.

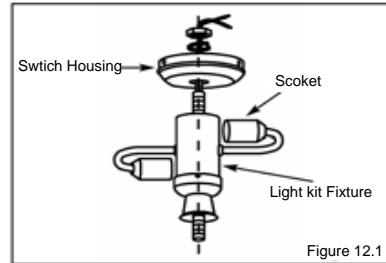
## WARNING:

All suspended fan (not hugger) with 190W light limiter. If the total wattage of the light bulb(s) is more than 190W, the light is OFF until the total wattage reduce to below 190W.



# INSTALLING BOWL LIGHT KIT (OPTIONAL)

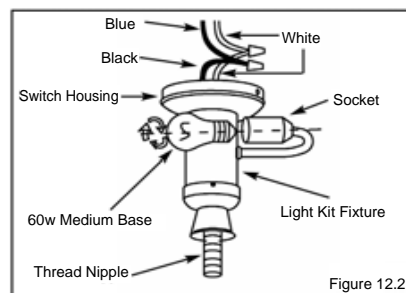
1. Remove switch housing screws and then remove bottom cap of switch housing shell on fan.



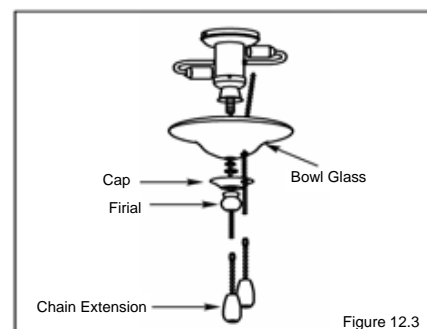
2. Locate two wires in the switch housing (white and blue labeled "for light"). Connect them to the light kit wire connectors (Fig. 12-2).

- White to white
- Blue to blue

Secure those wires with wire nuts in the fan.



3. Carefully push all wires back into the switch housing. Then attach housing cover plate to switch housing with the 3 screws provided.
4. Attach the glass shades to the light kit, using 3 thumb screws per shade (provided). Do not over-tighten the thumb screws as glass may break. Install light bulbs.
5. Slide the bowl glass over the threaded nipple, followed by the cap, and then finial.
6. Lower chains thru hole in bowl and glass cap.
7. Attach chain extension (see figure 12-3).



8. Restore power and your light kit is ready for operation.
9. If the light kit does not work, turn off the electricity and lower the canopy on your ceiling fan. Make sure the blue wire is connected to black household wires (please refer to electrical connections section in this manual).

## WARNING:

All suspended fan (not hugger) with 190W light limiter. If the total wattage of the light bulb(s) is more than 190W, the light is OFF until the total wattage reduce to below 190W.

# OPERATION

1. Restore electrical power by turning on the electricity at the main fuse box.
2. Turn on the wall switch.
3. Your fan has two controls on the switch housing

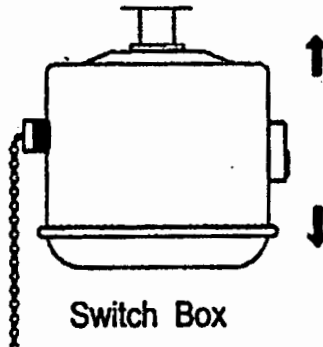
## SPEED CONTROL

Pull Chain Switch

(Tug gently)

Pull Speed

- 1 High
- 2 Medium
- 3 Low
- 4 Off



Switch Box

## DIRECTION CONTROL

Reverse Slide Switch

(Up and down)

Up for upward air flow  
to recirculate air

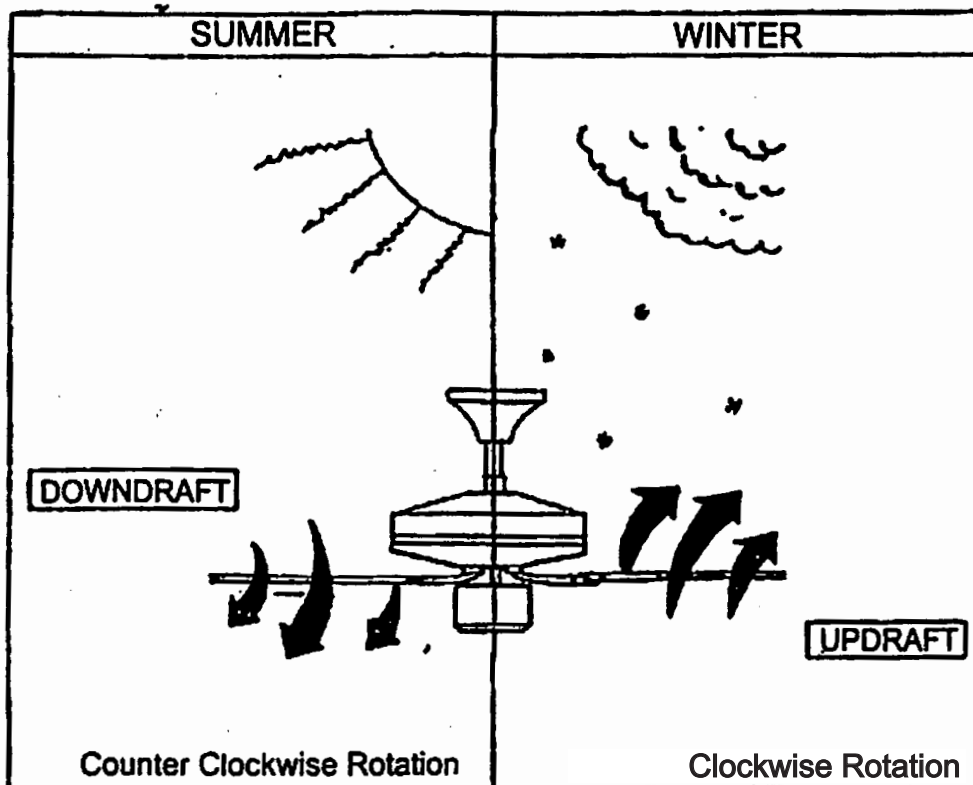
upward

Down for downward air  
flow for a cooling effect

**NOTE: ON FANS WITH 3 SPEEDS:** 1 Pull-High 2. Pull-Medium 3. Pull-Low 4 .Pull-Off

Turn off and let fan stop before changing setting of the reverse slide switch.

Your ceiling fan is a sensible choice to cool as well as help you warm your living area. You will have a reduction in both heating and cooling costs by regular use of your fan. In summer, put the reverse switch in the forward position so air is blown down, producing a cooling breeze. In winter, reverse the fan so an upward airflow will push warm air off the ceiling and balance the temperature in the room. In winter, run the fan at lower speed than in the summer.



# MAINTENANCE

1. The fan natural movements may cause some connections to work loose. A clicking or rattling noise is a certain sign of loosening screws. Check the support connections, brackets and blade attachment twice a year, and tighten all screws as necessary. Make sure all screws attaching the glass screws are tightened.
2. Clean your fan periodically. Use only a cloth dampened with a mild detergent solution. Never use solvents. Dust with a soft cloth or brush. Metal finishes are finished with a lacquer to prevent tarnishing.
3. You will never need to oil your fan. Its permanently sealed bearing will prevent silent, trouble free operation for many years.
4. Make sure the power is turned off at the main fuse or circuit panel before you attempt any repairs.

# TROUBLE SHOOTING

## **FAN DOES NOT START**

1. Check all fuses or circuit breakers. Replace if MISSING.
2. Turn off electrical power and check all wire connections to fan and in switch housing.
3. Make sure pull chain switch is on, and reverse slide switch is up or down, not in the middle.
4. Unscrew the switch box cover and check all wire connectors, if the wire connectors are loose, tighten it firmly.

## **FAN FOUND NOISY**

1. Always take a few days' break in' time for any new fan at medium or high speed. Try to diagnose the exact location of the noise by listening carefully from several sides (blades, motor, light kit, etc). Fan noise can come from a light kit.
2. Make sure all screws in the fan assembly and light kit are tight and properly threaded. If not, back out and retighten. Tighten these screws at least once a year because they may loosen slowly over time and cause clicking noise.
3. Make sure the light kit is securely fastened to the fan, and all glass screws are finger tightened only. Do not tighten with pliers or a screwdriver.
4. Make sure mounting bracket is installed snugly to junction box.
5. Make sure wire nuts in switch housing or canopy are not rattling against each other or against wall of housing. Wrap with electrical tape if necessary.
6. Use of standard light rheostat or unapproved wall control will always cause harmonic distortions, or a humming noise. Many fan motors do not work quietly with solid-state variable controls. If a quiet wall control is desired, use only approved wall controls.
7. Make sure the canopy is not touching the ceiling.
8. Assure that the screws fastening blade holders to motor are tight
9. Make sure all light bulbs are fully screwed in.

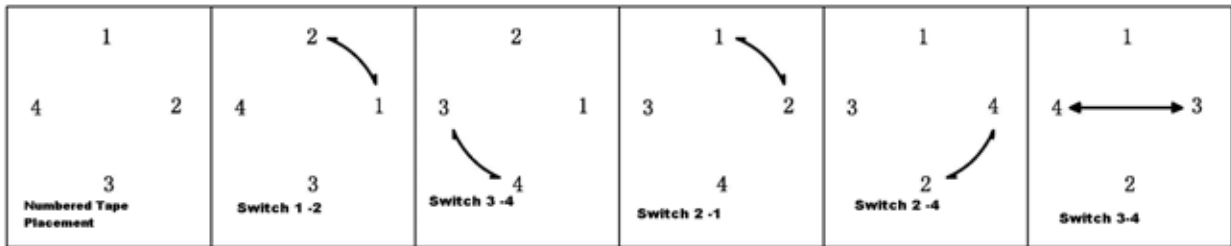
## **FAN TURNS BUT DOES NOT MOVE MUCH AIR**

1. The fan may be running in reverse, so air is directed upward.
2. The room may contain items that obstruct the airflow.
3. The fan may be too small for the size of the room.

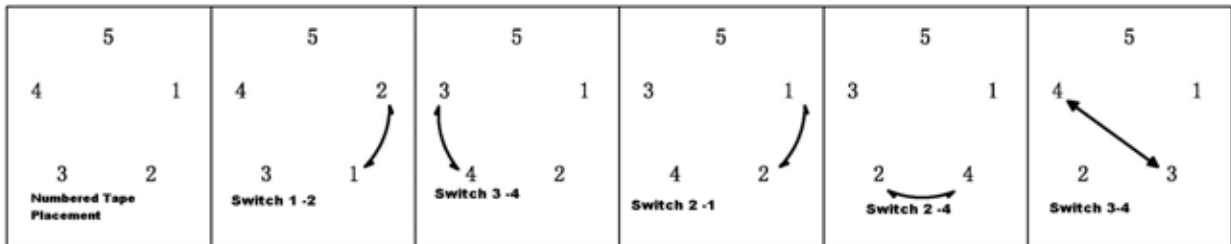
## **FAN SHAKES OR WOBBLER**

1. A small amount of wobble is considered acceptable and should not be considered a defect. Use of any light kit, especially a large 4 or 5 light kit, will usually induce some wobble.
2. Make sure mounting bracket is tight at junction box/ceiling with no movement at all. Tighten screws if necessary.
3. Make sure all screws holding the blades to the blade arm and blade arm to motor are tight. Also, make sure light/glass screws are tight
4. Some fan movement is normal. However, interchanging an adjacent (side by side) blade pair may redistribute the weight and result in smoother operation, as next page

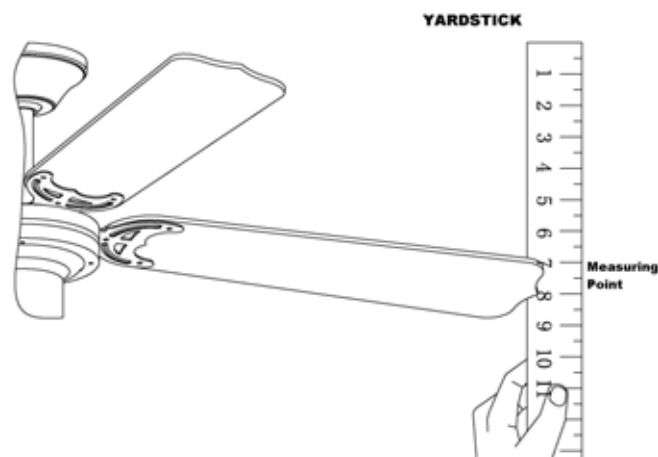
**For 4 BLADES MODELS**



**For 5 BLADES MODELS**



5. If the above does not eliminate the wobble, clip a balancing kit on any one of blade about the middle of blade edge. Let fan run. If it is still wobbling, stop the fan, and change the location. Repeating this procedure on the remaining blades until the wobble is removed.
6. You can also look up at the fan from below, make sure that none of the blade holders are bent so that a blade is out of position. Correction may be made by GENTLY bending the blade holder back into position.
7. Blade tracking may be checked simply by use of a household yardstick as shown in below Figure. Place the yardstick vertically against the ceiling and even with the outside leading edge of a blade. Note the distance of the edge of a blade same as others. Turn the blade slowly by hand to check the remaining blades. If a blade us in an alignment, the blade holder may be gently bent up or down to be in line with the other blades.



# MANUEL D'INSTALLATION ET D'UTILISATION DU VENTILATEUR DE PLAFOND

**VEUILLEZ LIRE ET CONSERVER CES INSTRUCTIONS**

# TABLE DES MATIERES

Conseils de securite .....	2
Deballage de votre ventilateur .....	3
Materiel necessaire .....	4
Coffret de sortie de courant .....	4
Installation du support de montage .....	5
Installation du ventilateur .....	6
Branchements electriques .....	9
Fixation de la pale .....	10
Installation du kit d'eclairage .....	11-14
Fonctionnement .....	15
Entretien .....	16
Depannage .....	17
Liste des pieces .....	18

# CONSEILS DE SECURITE

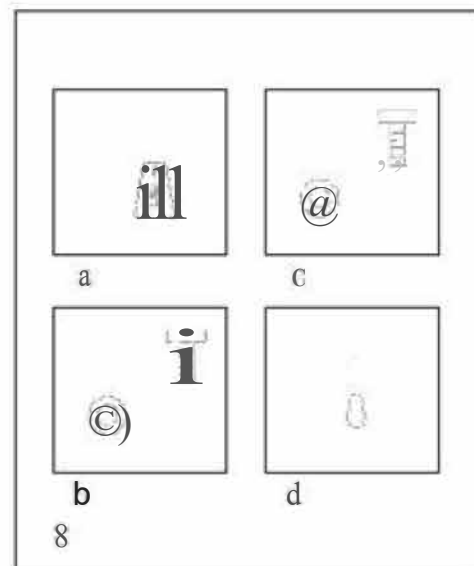
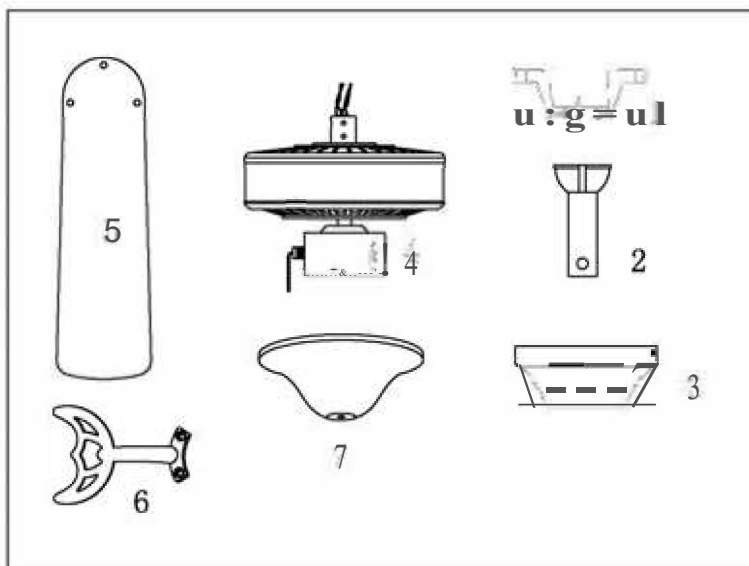
1. Pour éviter tout risque de choc électrique, coupez l'électricité au niveau de la boîte à fusibles ou du panneau électrique avant de commencer l'installation du ventilateur ou avant toute réparation du ventilateur ou installation d'accessoires.
2. **ATTENTION :LISEZ ATTENTIVEMENT TOUTES LES INSTRUCTIONS LES INFORMATIONS DE SECURITE AVANT D'INSTALLER VOTRE VENTILATEUR ET CONSERVEZ CES INSTRUCTIONS.**
3. Assurez-vous que tous les branchements électriques sont conformes aux codes ou aux ordonnances locaux et au code national de l'électricité. Si vous n'êtes pas familier avec les câblages électriques, veuillez faire appel à un électricien qualifié et agréé.
4. Assurez-vous d'avoir un emplacement spécifique pour votre ventilateur offrant suffisamment d'espace pour permettre aux pales de tourner et au moins sept (7) pieds (2 mètres) de dégagement entre le sol et l'extrémité des pales du ventilateur. Le ventilateur doit être monté à au moins trente (30) pouces (76 cm) des murs ou de toute autre structure verticale.
5. **ATTENTION :**Le coffret de sortie de courant et les solives de plafond doivent être fermement montés et doivent pouvoir soutenir un minimum de 50 livres (23 kg).
6. **ATTENTION :** Afin de réduire les risques de feu, de décharge électrique ou de blessure, fixez l'appareil à une boîte de sortie pouvant supporter un ventilateur de 15,9 kg (35 lb) ou moins, et utilisez les vis d'installation fournies avec la boîte de sortie. La plupart des boîtes de sortie utilisées pour l'installation d'un luminaire ne sont pas conçues pour supporter un ventilateur et doivent être remplacées. Dans le doute, demandez l'aide d'un électricien qualifié.
7. Les diagrammes électriques servent à des fins de référence uniquement. Les kits d'éclairage qui ne sont pas emballés avec le ventilateur doivent être classé UL et conçus pour une utilisation avec le modèle de ventilateur que vous installez.
8. Après l'installation, vérifiez que tous les branchements sont complètement sécurisés.
9. Après les branchements électriques, les raccords doivent être tournés vers le haut et délicatement poussés dans le coffret de sortie de courant. Les fils devront être écartés du conducteur de terre, et le conducteur de mise à la terre doit être placé d'un côté du coffret de sortie de courant.
10. **ATTENTION :**Pour réduire les risques d'incendie et d'électrocution. N'utilisez pas ce ventilateur avec un dispositif de réglage de vitesse à semi-conducteurs, ni un rhéostat.
11. N'insérez rien dans les pales du ventilateur quand elles sont en rotation.
12. **ATTENTION :** Pour réduire les risques de blessure corporelle, ne pliez pas les supports de pale lors de l'installation des supports, de l'équilibrage des pales ou du nettoyage du ventilateur.N'insérez aucun corps étranger dans les pales du ventilateur en rotation.
13. Pour éviter toute blessure corporelle ou endommagement du ventilateur, soyez prudent lorsque vous installez ou nettoyez le ventilateur.
14. N'utilisez pas d'eau ou de détergents lors du nettoyage du ventilateur ou des pales du ventilateur.Un chiffon à poussière sec ou légèrement humidifié conviendra pour la majeure partie du nettoyage.
15. Instructions pour les branchements d'alimentation : conducteur de ventilateur identifié comme conducteur de terre à raccorder à un conducteur mis à la terre d'une source d'alimentation, conducteur de ventilateur identifié comme conducteur non mis à la terre à connecter à un conducteur non mis à la terre d'une source d'alimentation, conducteur de ventilateur identifié comme servant à la mise à la terre de l'équipement à connecter à un conducteur de mise à la terre de l'équipement.

**REMARQUE:**Les précautions et les instructions de sécurité importantes de ce manuel ne visent pas à couvrir toutes les conditions et situations possibles pouvant survenir.Il est entendu que bon sens et prudence sont des facteurs nécessaires pour l'installation et l'utilisation de ce ventilateur.

**ATTENTION :**Pour réduire les risques de blessure corporelle, installez le ventilateur de façon à ce que la pale soit à au moins de 2,1 mètres (7 pieds) du sol.

# DEBALLAGE DE VOTRE VENTILATEUR

1. Deballez votre ventilateur et vérifiez le contenu. Ne mettez pas le carton au rebut. Si la garantie de réparation ou de remplacement venait à s'avérer nécessaire, le ventilateur devrait être retourné dans son emballage d'origine. Retirez toutes les pièces et le matériel. Ne placez jamais le logement du moteur sur son côté: les motifs décoratifs pourraient en être affectés.
2. Examinez toutes les pièces. Vous devez avoir les pièces suivantes:



1. Support de montage
2. Tige descendante/Assemblage à boule
3. Couvercle de plafond
4. Logement du moteur du ventilateur et coffret des interrupteurs. Retirez les pièces intercalaires de transport en caoutchouc du moteur. Conservez-les au cas où vous devriez retourner le ventilateur.
5. Ensemble de pales
6. Bras de pale
7. Kit d'éclairage (ou lampe différente)
8. Pack de pièces comprenant:
  - A/Matériel de support de fixation (serre-fils)
  - B/Matériaux de fixation des pales (vis avec rondelles pour chaque pale).
  - C/Matériau de fixation de bras de pale (les vis moteur et les rondelles de blocage peuvent déjà se trouver dans le moteur du ventilateur)
  - D/Chainette/Boule

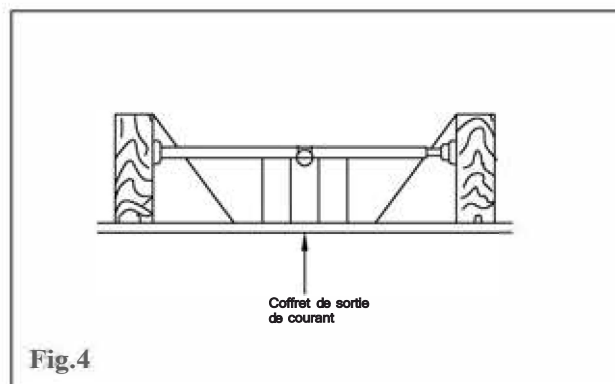
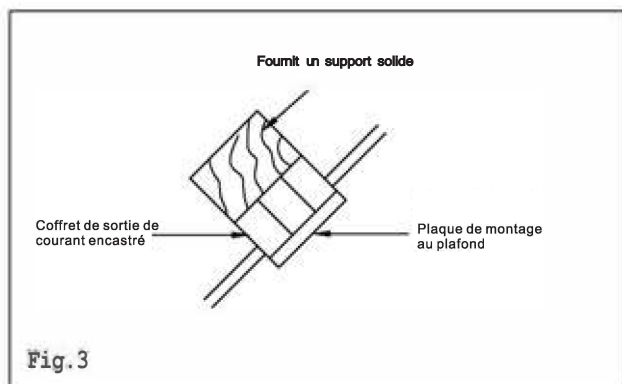
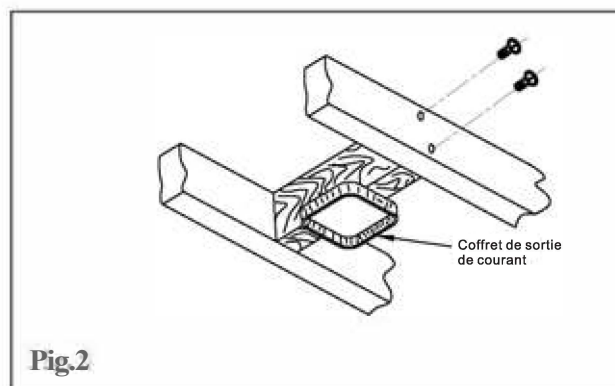
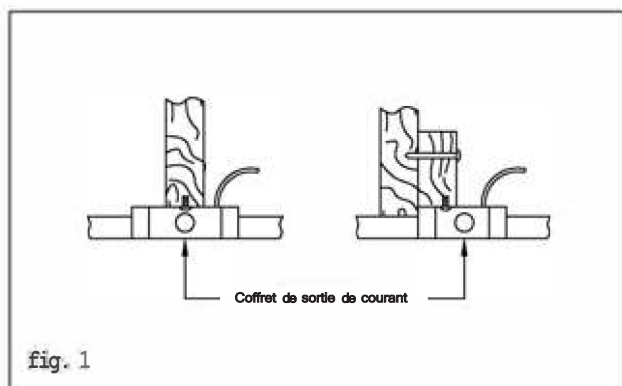
# OUTILS ET MATERIEL REQUIS

- Tournevis Phillips
- Tournevis pour pale
- pinces ou cle réglable
- Escabeau
- Coupe-cable
- Ruban isolant



## COFFRET DE SORTIE ELECTRIQUE

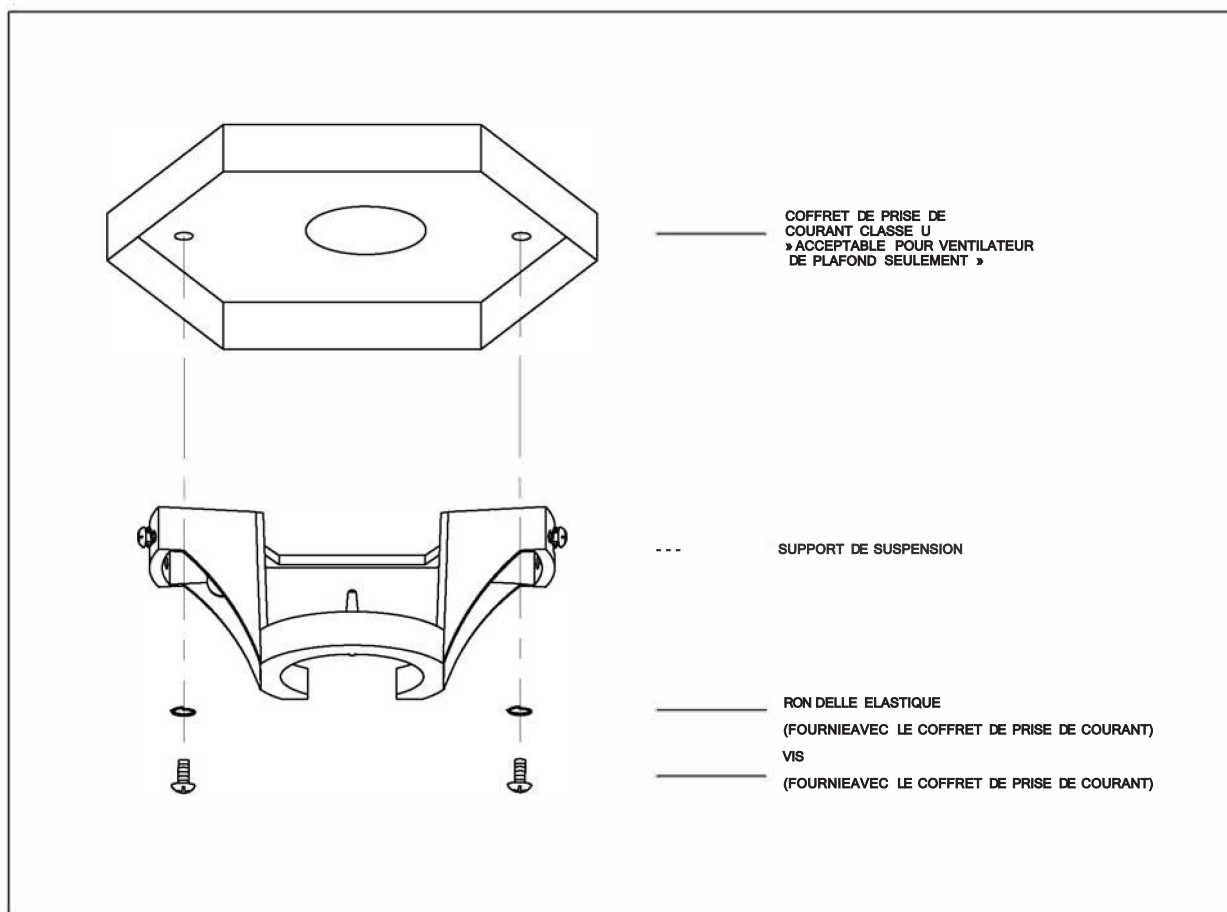
1. S'il y a un coffret de sortie de courant, assurez-vous qu'il soit clairement marqué « Convient pour les ventilateurs ». Si ce n'est pas le cas, il doit être remplacé par un coffret approuvé.
2. Sécurisez le coffret de sortie de courant (ou assurez-vous que le coffret existant est sécurisé) directement sur la structure de construction. Utilisez les fixations et les matériaux de construction appropriés. La solive et le coffret de sortie de courant doivent pouvoir supporter un minimum de 50 livres (23kg).
3. Les figures 1, 2 et 3 sont des exemples de différentes manières de monter le coffret de sortie de courant dans différentes situations. Une tige descendante plus longue peut être requise pour les plafonds inclinés, afin de maintenir un espace propre à la pale.
4. Pour accrocher le ventilateur sur des emplacements où il n'y a aucune solive. Une barre d'appui pour suspension peut être nécessaire (Fig. 4)



# INSTALLATION DU SUPPORT DE MONTAGE

1. Pour éviter toute électrocution éventuelle, assurez-vous de couper l'électricité au niveau panneau électrique principal avant de procéder au câblage. Tout câblage doit répondre aux codes électriques locaux et nationaux, et le ventilateur de plafond doit être mis à la terre comme précaution contre d'éventuels chocs électriques.

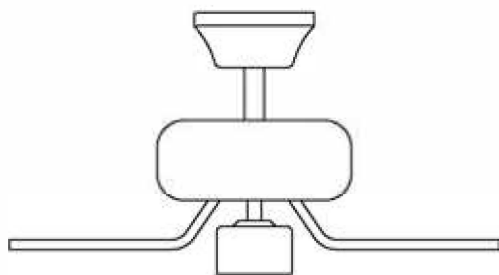
2. Fixez le support de suspension au coffret de sortie de courant à l'aide des vis fournies avec le coffret de sortie de courant (Fig. 5)



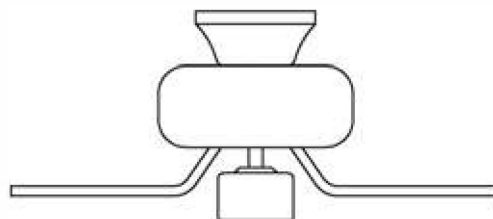
# INSTALLATION DU VENTILATEUR

## SELECTIONNEZ LE TYPE D'INSTALLATION

### SUSPENDRE

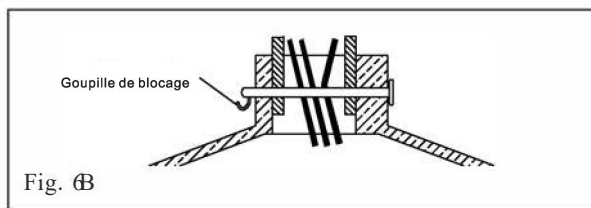
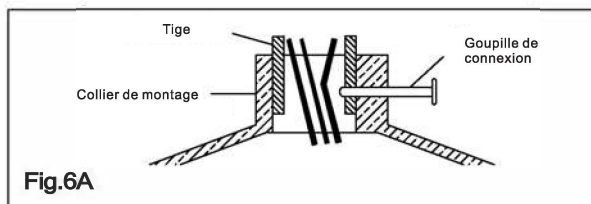
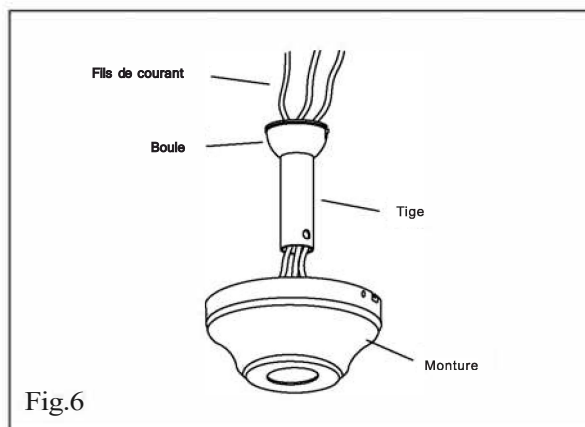


### COURROIE



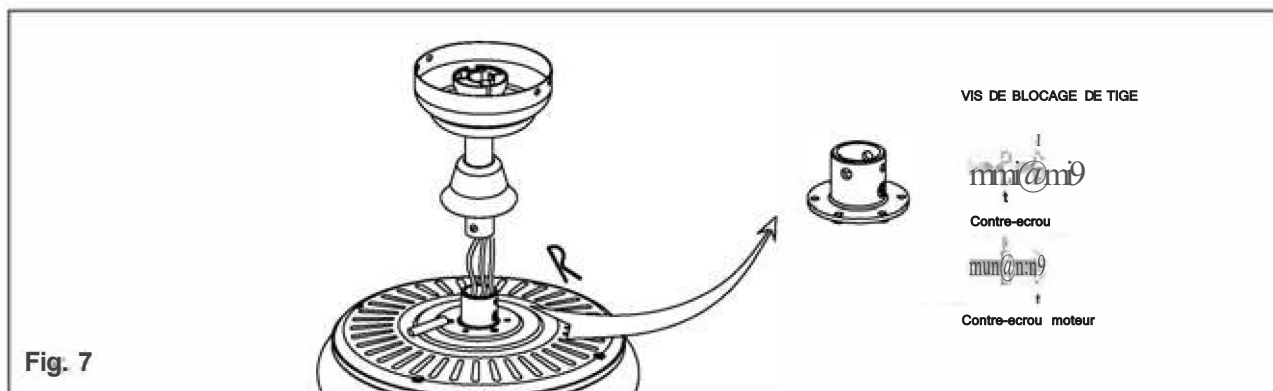
## STYLE DE SUSPENSION

1. Faites glisser le couvercle sur la tige (Fig.6). Filetez les fils electriques du ventilateur a travers le couvercle et la tige descendante. Faites tres attention de ne pas tirer sur les fils electriques. Des dommages et branchements laches peuvent entrainer des pressions anormales sur ces cables. Mettez la tige descendante dans le collier de la tige. Descendez jusqu'a ce que les trous correspondent. Soyez prudent de ne pas endommager le cablage, inserez la goupille de connexion dans les trous (Vair Fig. 6A. 6B). Securisez la broche en inserant la goupille de blocage dans la broche connecteur.



**ATTENTION** : N'inserez pas de force la goupille de connexion dans la tige descendante. L'utilisation de la force pourrait endommager les cables a l'interieur. Assurez-vous que la goupille de blocage est correctement engagee pour eviter qu'elle ne sorte et tombe.

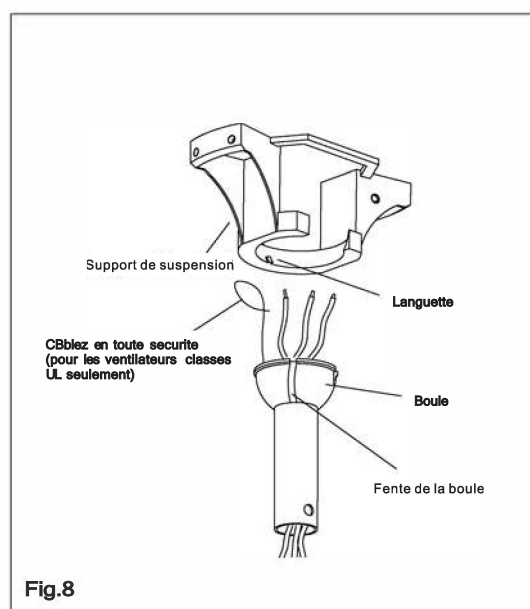
2. Serrez la vis de blocage de la tige descendante. Certains modeles disposent d'un contre-ecrou pour la vis de blocage. Pour s'assurer que la vis de blocage est bien installee sur la tige, il faut devisser le contre-ecrou jusqu'a ce qu'il entre en contact avec la tete de vis de blocage avant de serrer la vis de blocage. Lorsque la vis de blocage est serree contre la tige descendante, le contre-ecrou devrait etre serre contre collier. Certains modeles comportent 2 vis de blocage de tige descendante. Repetez ces etapes pour les deux (Fig. 7)



3. Serrez le contre-ecrou du moteur. Verifiez la solidite de cette connexion (pre-serree en usine) en tenant le logement du moteur en position et en tournant la tige descendante dans le sens contraire des aiguilles d'une montre. Si cette connexion glisse, resserrez la vis de blocage et le contre-ecrou moteur. Suivez les memes procedures mentionnees ci-dessus pour la vis de blocage de la tige.

4. Installez la boule dans l'ouverture du support de suspension.

La languette opposee à l'ouverture du support de suspension doit s'adapter à la fente sur la boule (Fig 8).



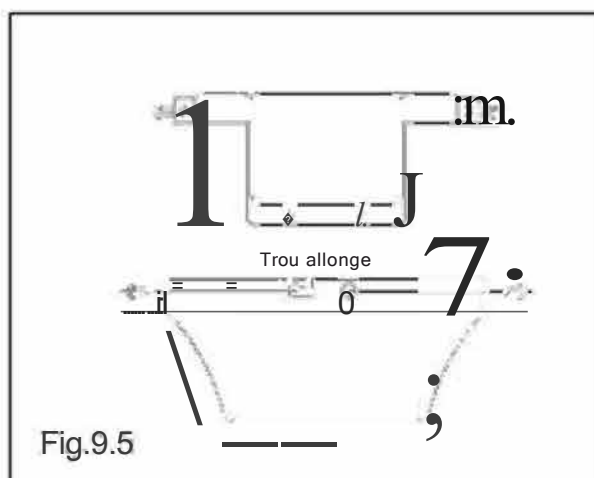
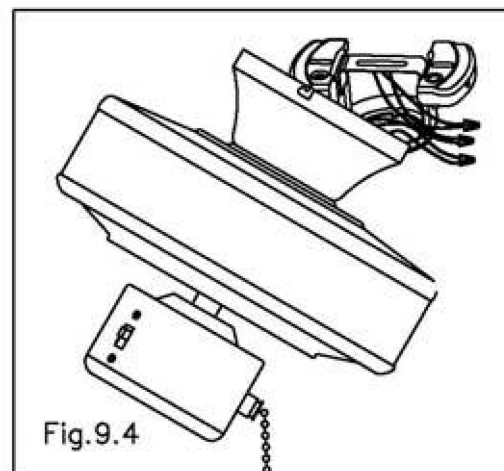
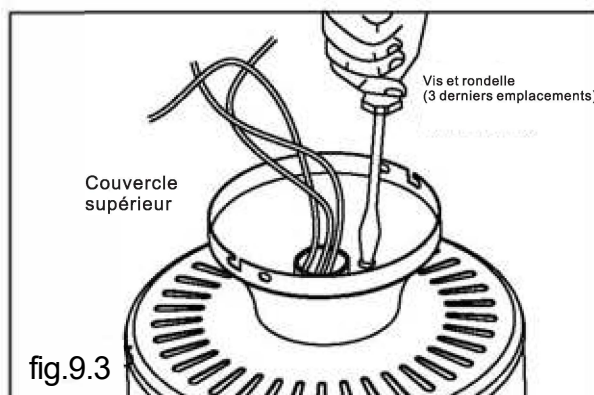
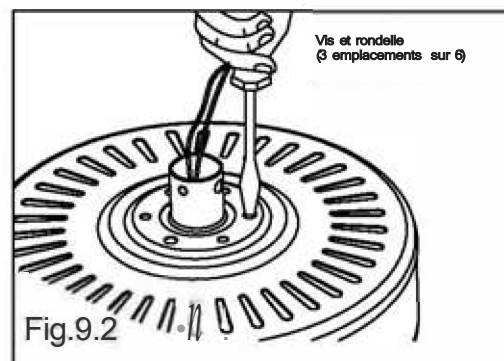
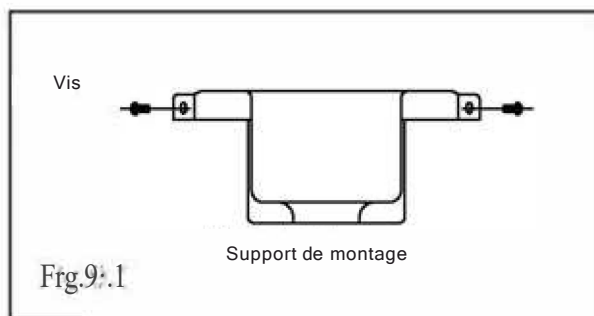
5. Faites les branchements de cable (veuillez vous reporter à la section intitulee « Branchements electriques ») **Pour les ventilateurs classes cUL, assurez-vous de securiser le cable de securite à la boite de raccordement.**

6. Faites glisser le couvercle vers le haut, puis serrez-le sur le support de suspension à l'aide des 4 vis fournies.

ATTENTION : Pour eviter d'endommager les bras de pale et les pales, ne les installez pas tant que le ventilateur n'est pas fixe au plafond. Pour eviter que le moteur se decale, manipulez le ventilateur par la tige ou par le coffret des interrupteurs seulement.

# STYLE DE COURROIE

1. Placez 2 vis dans le support de suspension, en les laissant partiellement sorties. (Fig. 9.1).
2. Retirez trois des six vis et des rondelles (une sur deux) du couvercle supérieur (Fig. 9.2)
3. Placez le couvercle du plafond sur le col sur le haut du logement du moteur. Alignez les trous de montage avec les trous du moteur et serrez à l'aide des trois vis et rondelles retirées à l'étape 2 (Fig. 9.3)
4. Déplacez l'ensemble ventilateur et connectez les câbles du ventilateur aux câbles du plafond. (Fig. 9.4)
5. Faites les branchements de câble (veuillez vous reporter à la section intitulée « BRANCHEMENTS ELECTRIQUES »). Pour les ventilateurs classés cUL, assurez-vous de sécuriser le câble de sécurité à la boîte de raccordement.
6. Placez le couvercle sur le support de suspension en insérant l'ouverture à fentes du couvercle sur les vis. (Fig.9.5)
7. Insérez les vis restantes dans les trous restants du couvercle et serrez les 4 vis



# BRANCHEMENT ELECTRIQUES

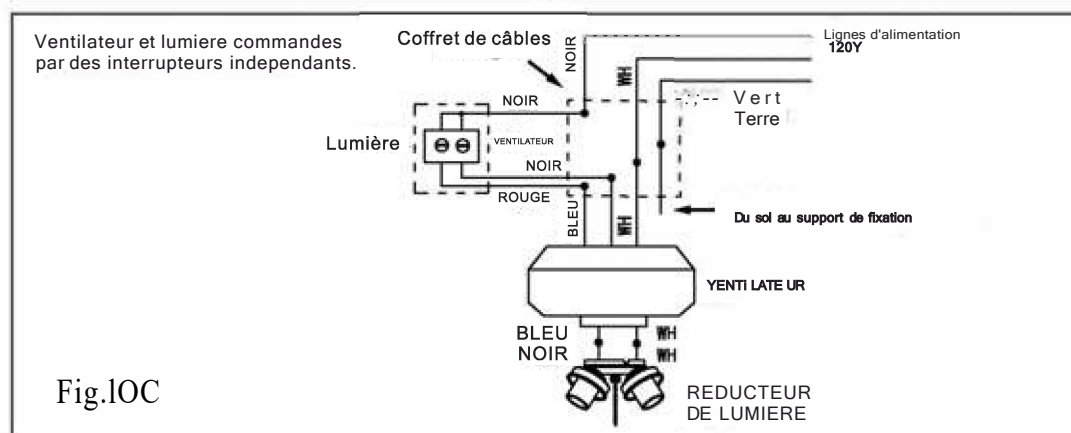
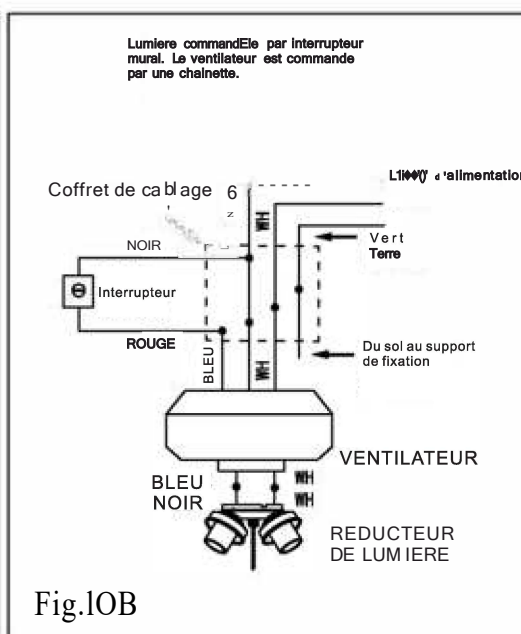
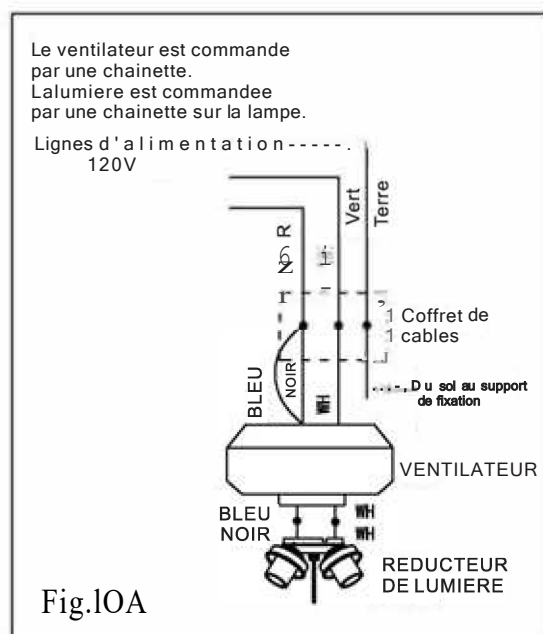
1. Quatre cables sont connectés en haut du ventilateur.

- Noir: phase du ventilateur
- Bleu: phase du kit d'éclairage
- Blanc: neutre du ventilateur et le kit d'éclairage
- Vert/Vert et Jaune : terre

2. Si le ventilateur et la lumière sont branchés sur le même circuit, les câbles noir et bleu doivent être branchés ensemble au câble noir du plafond à l'aide d'un serre-fils.

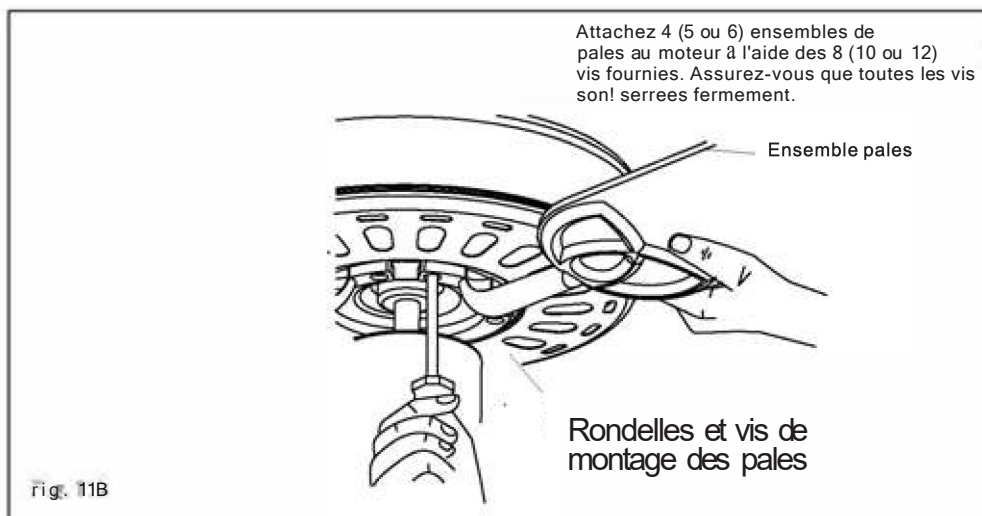
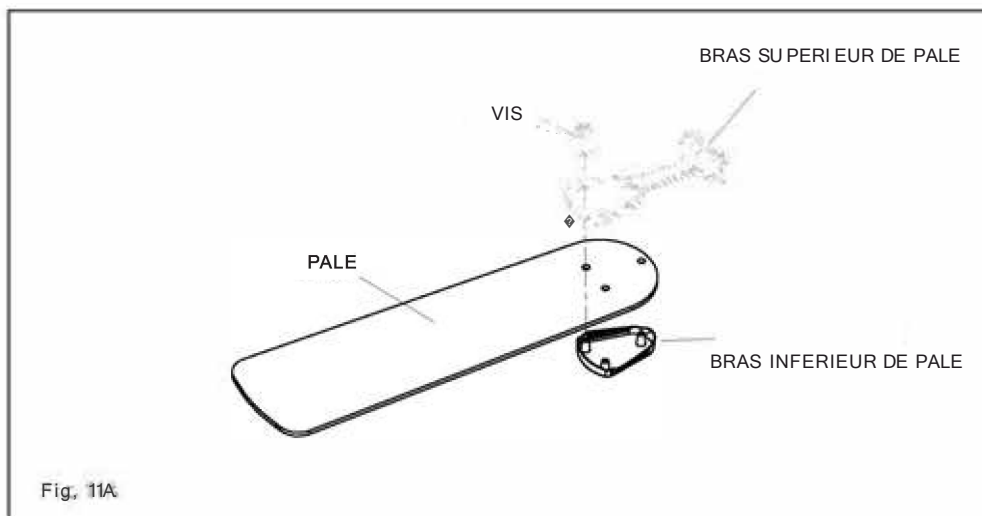
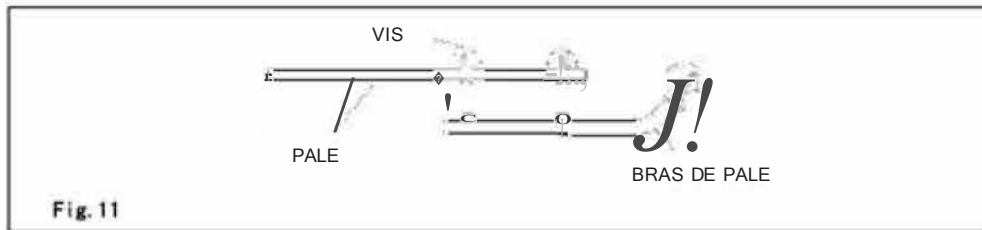
3. Le câble blanc du ventilateur doit être connecté au câble blanc du plafond à l'aide d'un serre-fils.

4. Le câble vert du ventilateur doit être connecté au câble de mise à la terre du plafond à l'aide d'un serre-fils.



# FIXATION DE LA PALE

1. Placez la vis dans la pale et insérez-la dans la pale. Répétez cette procédure sans serrez la vis tant que les 3 vis ne sont pas insérées dans le bras de la pale (Fig.11 ). Etant donné que la plupart des ventilateurs utilise des bras de pale avec des vis dissimulés, les vis peuvent ne pas rentrer entièrement dans les bras de pale.
2. Serrez chaque vis en commençant par la vis centrale.
3. Serrez l'ensemble des pales au moteur avec les vis fournies. Répétez la procédure pour les pales restantes. (Fig. 11 B).
4. Assurez-vous que les pales sont à plus de/au moins à 7 pieds (2 metres) du sol, évitez de placer des objets à portée des pales.

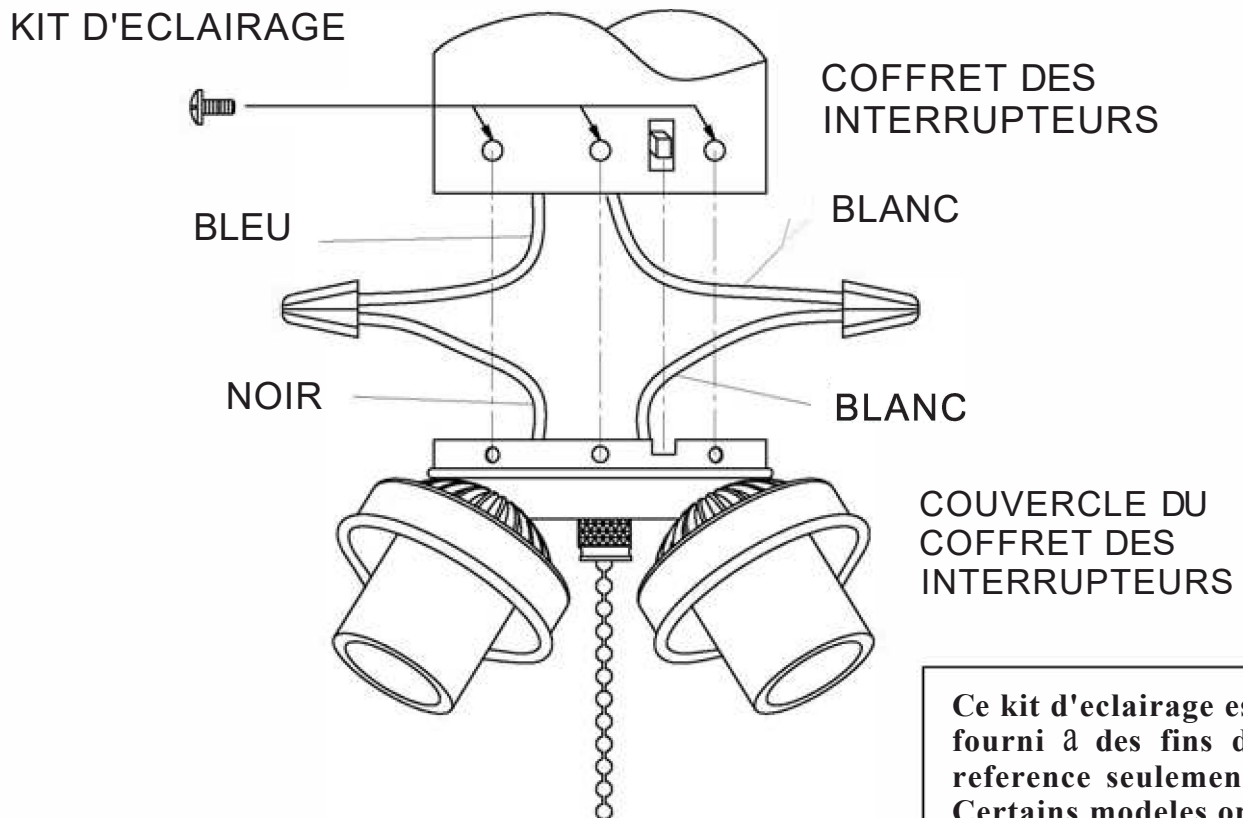


## INSTALLATION GENERALE DU KIT D'ECLAIRAGE TORTUE (FACULTATIVE)

1. Localisez deux cables dans le coffret des interrupteurs (etiquete en blanc et bleu « pour l'eclairage »).
2. Connectez-les aux cables de branchement du kit d'eclairage (Fig.12)
  - Le blanc au blanc
  - Le bleu au bleu
- Securisez toutes les jonctions de fils avec du ruban isolant pour empecher les connecteurs de vibrer et de se desserer pendant le fonctionnement du ventilateur.
3. Poussez avec precaution tous les cables dans le coffret des interrupteurs. Ensuite, attachez le couvercle au coffret des interrupteurs avec les 3 vis fournies.
4. Attachez la vasque en verre au kit d'eclairage a l'aide des 3 vis a oreilles par abat-jour (fournies). Ne serrez pas trop fort les vis a oreilles car vous pourriez briser le verre. Installez les ampoules. La vasque en verre et les vis a oreilles ne sont pas fournis avec les ventilateurs a spots.
5. Retablissez le courant et votre kit d'eclairage est pret a etre utilise.
6. Si le kit d'eclairage ne fonctionne pas, coupez l'electricite et baissez le couvercle sur votre ventilateur de plafond. Assurez-vous que le cable bleu est connecte aux cables noirs du secteur (veuillez vous reporter a la section de ce manuel portant sur les branchements electriques).

### ATTENTION:

Tous les ventilateurs suspendus (sans courroie) avec limiteur de lumiere a 190 W. Si la puissance totale de la ou les ampoules est superieure a 190 W, la lumiere est eteinte jusqu'a ce que la puissance totale soit inferieure a 190 W.



Ce kit d'eclairage est fourni à des fins de reference seulement. Certains modeles ont des kits de lumiere differents, mais ils s'installent de la meme maniere

## INSTALLATION D'UN KIT D'ECLAIRAGE A APPLIQUE EN FORME DE DISQUE (EN OPTION)

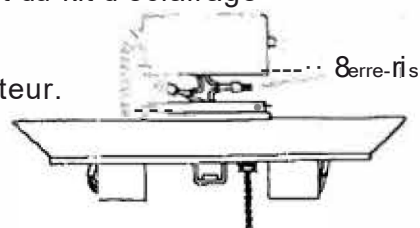
1. Retirez les vis du coffret des interrupteurs, puis retirez le couvercle inférieur du coffret des interrupteurs du ventilateur.

2. Localisez deux câbles dans le coffret des interrupteurs (étiquette en blanc et bleu « pour la lumière »). Connectez-les aux câbles de branchement du kit d'éclairage

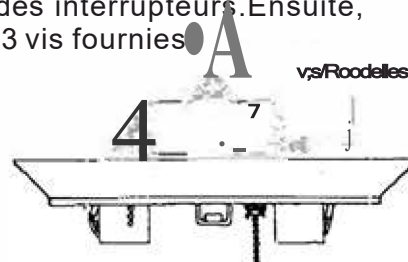
- Le blanc au blanc

- Le bleu au bleu

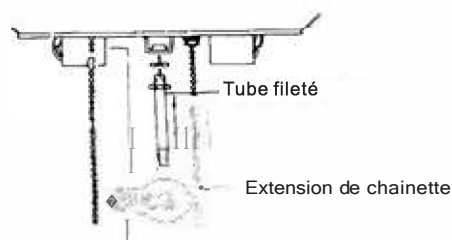
Securisez ces câbles à l'aide de serre-fils au ventilateur.



3. Poussez avec précaution tous les câbles dans le coffret des interrupteurs. Ensuite, attachez le couvercle au coffret des interrupteurs avec les 3 vis fournies.



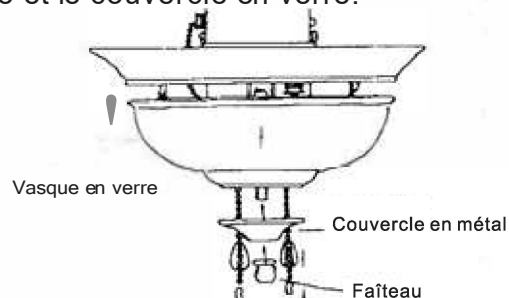
4. Mettez les ampoules sur la douille.



5. Attachez les vasques en verre au kit d'éclairage et vissez le faiteau. Ne serrez pas trop fort le faiteau car vous pourriez briser le verre. Faites glisser l'applique en verre sur le manchon fileté, suivi par le couvercle puis le faiteau. Tournez le faiteau dans le sens des aiguilles d'une montre jusqu'à ajustement (voir la figure).

6. Faites descendre les chaînes par le trou dans l'applique et le couvercle en verre.

7. Attachez l'extension de la chaîne.



8. Rétablissez le courant et votre kit d'éclairage est prêt à fonctionner.

9. Si le kit d'éclairage ne fonctionne pas, fermez l'électricité et baissez le couvercle sur votre ventilateur de plafond. Assurez-vous que le câble bleu est connecté aux câbles noirs du secteur (veuillez vous reporter à la section de ce manuel sur les branchements électriques).

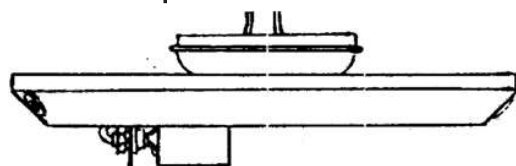
### ATTENTION:

Tous les ventilateurs suspendus (sans courroie) avec limiteur de lumière à 190 W. Si la puissance totale de la ou les ampoules est supérieure à 190 W, la lumière est éteinte jusqu'à ce que la puissance totale soit inférieure à 190 W.

## INSTALLATION D'UN KIT D'ECLAIRAGE A APPLIQUE EN FORME DE DISQUE (EN OPTION)

1. Vous pouvez acheter un ventilateur avec un anneau de lumière au lieu d'un ensemble de lumière comme mentionné ci-dessus. Pour toutes les sortes de kit d'éclairage, vous devrez faire l'installation des pales avant d'attacher ce kit d'éclairage. N'OUBLIEZ PAS de déconnecter l'alimentation principale avant d'installer le kit d'éclairage en coupant le fusible ou le circuit au niveau du panneau électrique

### Identification des pièces



Anneau de lumière



Vasque en verre

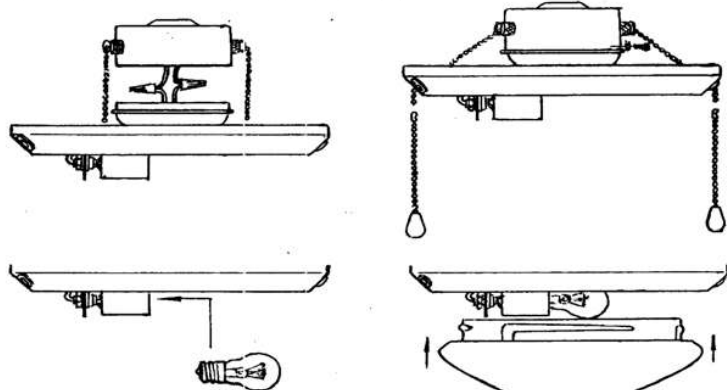


Chaînette

2. L'ensemble kit d'éclairage comprend les pièces mentionnées ci-dessus. Récupérez ces pièces du carton d'emballage et faites attention de ne pas endommager la vasque en verre
3. Localisez les deux câbles du kit d'éclairage du coffret des interrupteurs de l'ensemble ventilateur. Attachez les câbles du kit d'éclairage du couvercle de lumière aux câbles du kit d'éclairage du coffret des interrupteurs, Blanc sur Blanc, Noir sur Bleu to Blue du coffret des interrupteurs à l'aide des serre-fils fournis.
4. Alignez les trois trous dans le couvercle de la lumière avec les trois trous au bord du coffret des interrupteurs. Sécurisez l'anneau de lumière sur le coffret des interrupteurs avec les trois vis et rondelles fournies.
5. Installez l'ampoule sur les douilles de la lampe.
6. La vasque en verre est de type emboîtement à baïonnette. Le bord de la vasque en verre comporte deux stries. Alignez les ouvertures des deux stries sur les deux encoches de l'anneau de lumière.
7. Tournez la vasque en verre sous l'anneau de lumière le long des stries jusqu'à ce que la vasque soit complètement en place. Quand elle est verrouillée en place, il n'est pas possible de la défaire en la tournant dans l'autre sens. Essayez de le faire pour vous assurer du verrouillage correct de la vasque.
8. Aiguillez les deux interrupteurs à tirage dans les deux trous sur le côté de l'anneau de lumière.
9. Attachez les extensions de chaînette à ce niveau en passant les chaînes d'extension.
10. Vérifiez que tous les ensembles sont fermement sécurisés. Votre kit d'éclairage est maintenant prêt à être utilisé.

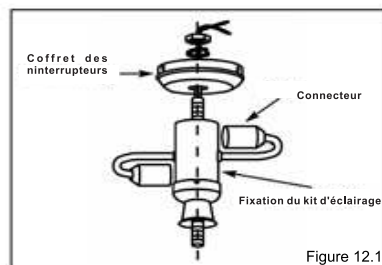
### ATTENTION :

Tous les ventilateurs suspendus (sans courroie) avec limiteur de lumière à 190 W. Si la puissance totale de la ou les ampoules est supérieure à 190 W, la lumière est éteinte jusqu'à ce que la puissance totale soit inférieure à 190 W.



# INSTALLATION D'UN KIT D'ÉCLAIRAGE A APPLIQUE EN FORME DE BOL (FACULTATIVE)

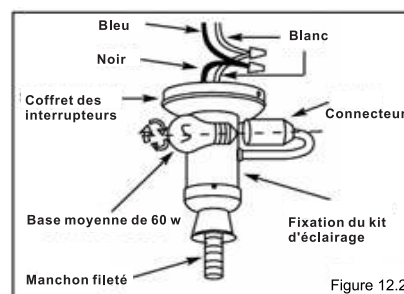
1. Retirez les vis du coffret des interrupteurs, puis retirez le couvercle inférieur du coffret des interrupteurs du ventilateur.



2. Localisez deux câbles dans le coffret des interrupteurs (étiqueté en blanc et bleu « pour l'éclairage »). Connectez-les aux câbles de branchement du kit de lumière (Fig. 12-2).

- Le blanc au blanc
- Le bleu au bleu

Sécurisez ces câbles à l'aide de serre-fils au ventilateur.

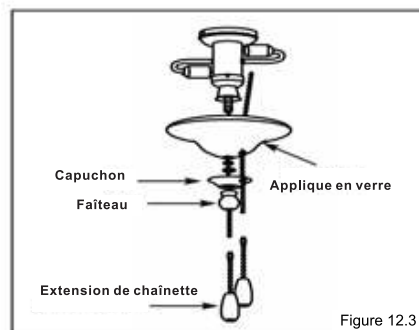


3. Poussez avec précaution tous les câbles dans le coffret des interrupteurs. Ensuite, attachez le couvercle au coffret des interrupteurs avec les 3 vis fournies.

4. Attachez la vasque en verre au kit de lumière à l'aide des 3 vis à oreilles par lumière (fournies). Ne serrez pas trop fort les vis à oreilles car vous pourriez briser le verre. Installez les ampoules. 5. Faites glisser l'applique en verre sur le manchon fileté, suivi par le couvercle, puis le faîteau. Tournez le faîteau dans le sens des aiguilles d'une montre jusqu'à ajustement (voir la figure 12-2).

6. Faites descendre les chaînes par le trou dans l'applique et le couvercle en verre.

7. Attachez l'extension de la chaîne (voir figure 12-3).



8. Rétablissez le courant et votre lumière

9. Si le kit de lumière ne fonctionne pas, coupez l'électricité et baissez le couvercle sur votre ventilateur de plafond. Assurez-vous que le câble bleu est connecté aux câbles noirs du secteur (veuillez vous reporter à la section de ce manuel sur les branchements électriques).

## ATTENTION :

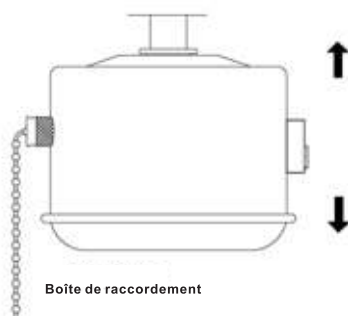
Tous les ventilateurs suspendus (sans courroie) sont équipés d'un limiteur de lumière à 190 W. Si la puissance totale de la ou les ampoules est supérieure à 190 W, la lumière est éteinte jusqu'à ce que la puissance totale soit inférieure à 190 W.

# FONCTIONNEMENT

1. Rétablissez le courant au niveau panneau à fusibles principal.
2. Allumez avec l'interrupteur mural.
3. Votre ventilateur dispose de deux commandes sur le coffret des interrupteurs

## CONTROLE DE VITESSE Chaînette (tirez doucement)]

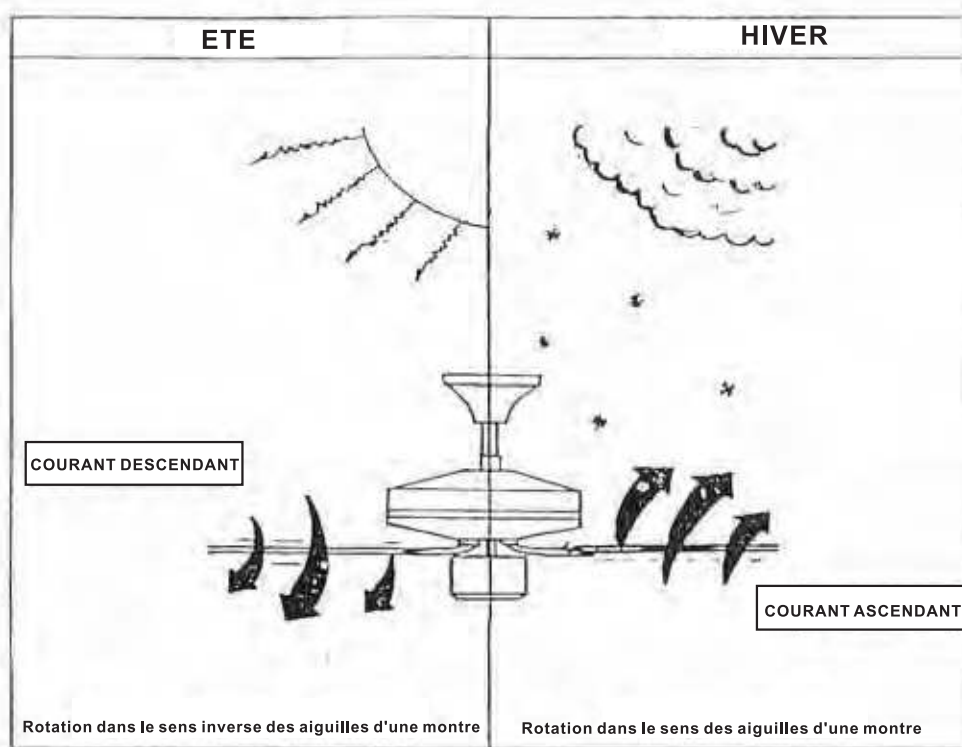
Tirer	Vitesse
1	Élevée
2	Moyenne
3	Faible
4	Off (Arrêt)



**COMMANDE DE DIRECTION**  
Interrupteur inverse (haut ou bas).  
Haut pour le flux d'air ascendant en hiver.  
Bas pour le flux d'air descendant en été.

**REMARQUE : SUR LES VENTILATEURS A 3 VITESSES : 1--Tirez-haut 2--Tirez-Moyen 3--Tirez-Bas 4--Tirez-Off (Arrêt)**

Coupez et laissez le ventilateur s'arrêter avant de modifier le réglage de l'interrupteur à glissière inverse. Votre ventilateur de plafond est un choix judicieux tant pour rafraîchir qu'aider à réchauffer votre habitation. Vous aurez une réduction à la fois sur les coûts de refroidissement et de chauffage grâce à une utilisation régulière de votre ventilateur. En été, positionnez l'interrupteur vers l'avant pour que l'air soit soufflé vers le bas, produisant un air rafraîchissant. En hiver, inversez le ventilateur afin qu'un air ascendant pousse l'air chaud du plafond et équilibre la température de la pièce. En hiver, faites fonctionner le ventilateur à une vitesse plus basse qu'en été.



# ENTRETIEN

1. Les mouvements naturels du ventilateur peuvent entraîner un desserrement des branchements. Un bruit de cliquetis ou de ballotement est un signe de desserrement des vis. Vérifiez les branchements de support, les supports et la fixation des pales deux fois par an, et serrez les vis si nécessaire. Assurez-vous que toutes les vis de la vasque en verre sont serrées.
2. Nettoyez périodiquement votre ventilateur. Utilisez seulement un chiffon humide avec une solution avec un détergent doux. N'utilisez jamais de solvants. Dépoussiérez à l'aide d'un chiffon doux ou d'une brosse. Les finitions en métal sont vernies pour empêcher le ternissement.
3. Vous n'avez pas besoin d'huiler votre ventilateur. Son roulement scellé de manière permanente assurera le silence et le fonctionnement fiable pendant plusieurs années.
4. Assurez-vous que le courant est coupé au niveau du panneau à fusibles ou du circuit avant de procéder à toute réparation.

# DEPANNAGE

## LE VENTILATEUR NE DEMARRE PAS

1. Vérifiez les fusibles ou le disjoncteur Remplacez s'il en MANQUE.
2. Coupez le courant et vérifiez tous les câbles de branchement au ventilateur et au coffret des interrupteurs.
3. Assurez-vous que la chaîne est éteint et que l'interrupteur à glissière inverse est en haut ou en bas, pas au milieu.
4. Dévissez le couvercle de la boîte de raccordement et vérifiez tous les câbles de branchement, si les câbles de branchement sont lâches, serrez-les fermement.

## VENTILATEUR BRUYANT

1. Il y a toujours un temps de « rodage » pour les ventilateurs à vitesse moyenne ou rapide. Essayez de diagnostiquer l'emplacement exact du bruit en écoutant attentivement depuis plusieurs côtés (pales, moteur, kit d'éclairage, etc). Le bruit du ventilateur peut venir du kit d'éclairage.
2. Assurez-vous que toutes les vis de l'ensemble ventilateur et du kit d'éclairage sont serrés et soigneusement filetés. Si ce n'est pas le cas, sortez-les et serrez à nouveau. Serrez les vis au moins une fois par an parce qu'elles peuvent se desserrer doucement avec le temps et entraîner un cliquetis.
3. Assurez-vous que le kit d'éclairage est serré fermement au ventilateur et que les vis de la vasque en verre sont serrées à la main seulement. Ne serrez pas à l'aide de pinces ou d'un tournevis.
4. Assurez-vous que le support de montage est installé correctement sur la boîte de raccordement.
5. Assurez-vous que les serre-fils du coffret des interrupteurs ou du couvercle ne ballottent pas les uns contre les autres ou contre le mur. Enveloppez de ruban isolant si nécessaire.
6. L'utilisation d'un rhéostat de lumière standard ou d'une commande au mur non approuvée entraînera toujours des distortions harmoniques ou un bruit de souffle. De nombreux moteurs de ventilateur ne fonctionnent pas sans bruit avec des commandes variables à semi-conducteurs. Si vous souhaitez une commande silencieuse au mur, utilisez seulement des commandes approuvées.
7. Assurez-vous que le couvercle ne touche pas le plafond.
8. Assurez-vous que les vis serrant les bras de pales au moteur sont serrées
9. Assurez-vous que les ampoules sont complètement vissées.

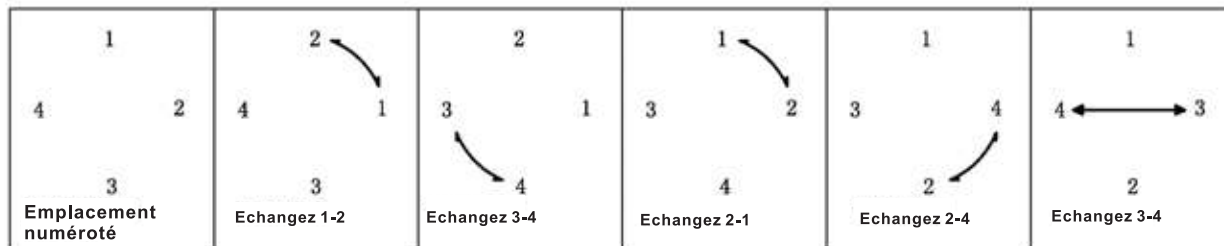
## LE VENTILATEUR TOURNE MAIS NE DEPLACE PAS BEAUCOUP D'AIR

1. Le ventilateur fonctionne peut-être à l'envers, et l'air part vers le haut.
2. La pièce contient des objets qui obstruent le courant d'air.
3. Le ventilateur est peut-être trop petit pour le volume de la pièce.

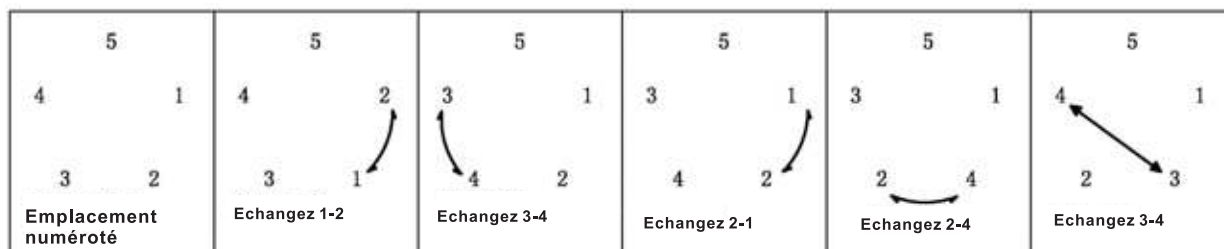
## LE VENTILATEUR BOUGE ET OSCILLE

1. Une petite quantité d'oscillation est acceptable et ne devrait pas être considérée comme un défaut. L'utilisation de n'importe quel kit d'éclairage, surtout les kits d'éclairage à 4 ou 5 ampoules, crée généralement un peu d'oscillation.
2. Assurez-vous que le support de montage est fermement fixé à la boîte de raccordement/plafond. Serrez les vis si nécessaire.
3. Assurez-vous que toutes les vis maintenant les pales au bras de pale et les bras de pale au moteur sont serrées. Assurez-vous également que les vis de la lumière/vasque en verre sont serrées
4. Un peu de jeu dans le ventilateur est normal. Cependant, interchanger une paire de pales adjacente (côte à côte) peut redistribuer le poids et permettre un meilleur fonctionnement.

Pour LES MODELES A 4 PALES



Pour LES MODELES A 5 PALES



5. Si l'oscillation n'est pas résolue, fixez un kit d'équilibrage sur n'importe quelle pale à peu près au milieu du bord de la pale. Laissez le ventilateur fonctionner. S'il continue à osciller, arrêtez le ventilateur et changez l'emplacement. En répétant cette procédure sur les pales restantes jusqu'à ce qu'il n'y ait plus d'oscillation.

6. Vous pouvez également vérifier le ventilateur par en-dessous. Assurez-vous qu'aucune des pales est hors de sa position en raison de la torsion d'un des bras. La correction peut se faire en pliant **DOUCEMENT** le bras de pale pour le remettre en position.

7. Le rail de la pale peut être vérifié simplement à l'aide d'une règle domestique comme illustré dans la figure ci-dessous. Placez la règle verticalement au plafond et alignez-la sur le bord d'une pale. Laissez le même espace entre chaque pale. Tournez la pale doucement à la main pour vérifier les pales restantes. Si une pale n'est plus alignée, vous pouvez doucement plier le bras de pale vers le haut ou le bas pour qu'il soit en ligne avec les autres pales.

