

To be installed by a certified electrician!

Ensure that the power has been disconnected at the source.

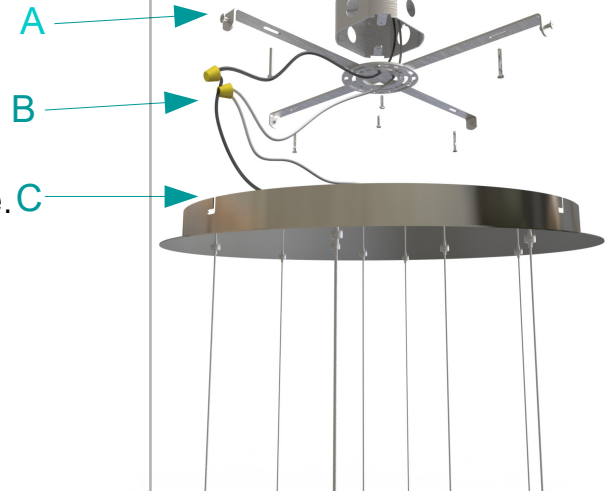
**A** Connect the mounting bracket to the junction box (required!). Add screws as needed.

**B** Connect the wires.

**C** Align the canopy with the screws push up and rotate.



**D** Tighten all the screws.



NOTE: do not release the canopy until the screws have been tightened.

## Pendant Installation

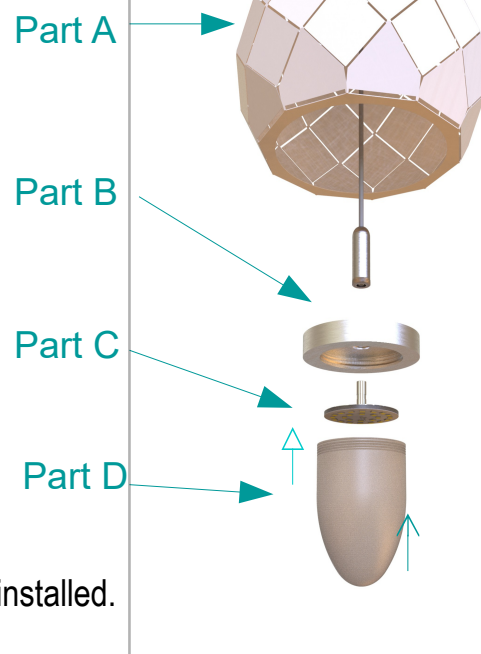
Do not attach pendants until canopy installation is completed.

**A** Slide part A up the wire.

**B** thread part B

**C** Insert the LED bulb(C) into part B.

**D** Thread part D (acrylic)



Please note that the bulbs run in series, so they will only function with all LED bulbs correctly installed.

Turn on the light 💡