

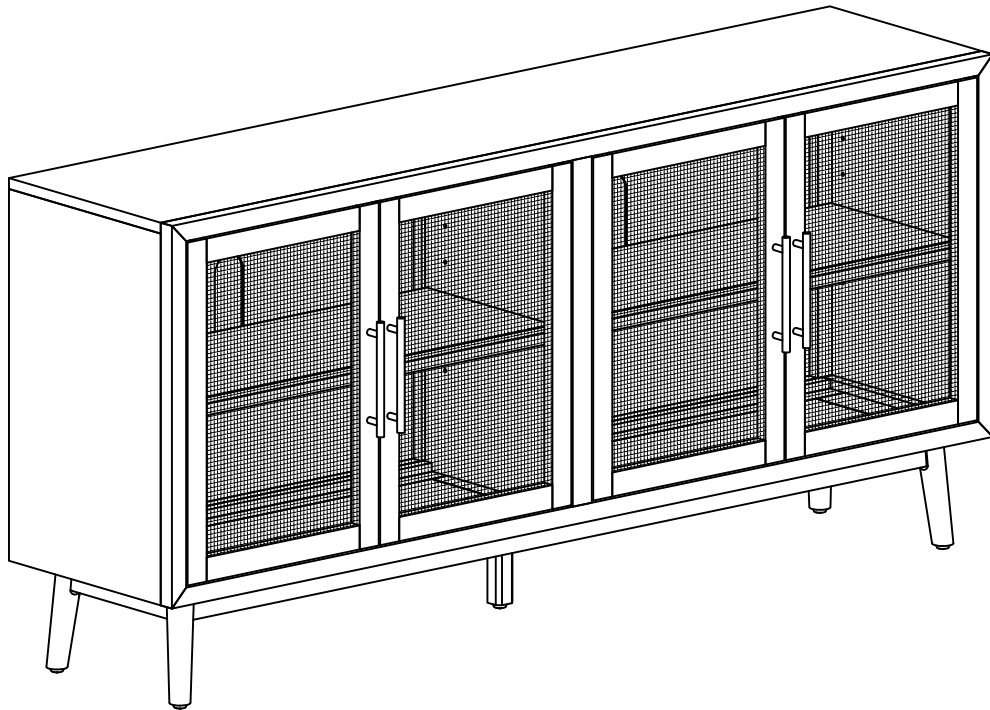
Assembly Instructions

909444 TV STAND - CINNAMON

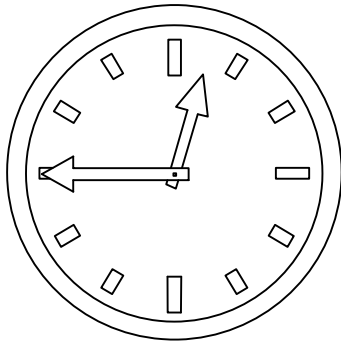
Product Issues? Please Call Us Before Contacting Your Retailer At 1-800-549-3300

Email customerservice@mshome.co, or visit www.mshome.co

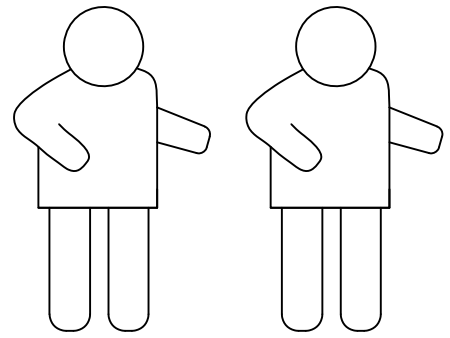
We can help with Assembly Issues, Part Requests, Damages, & All Other Product Related Questions



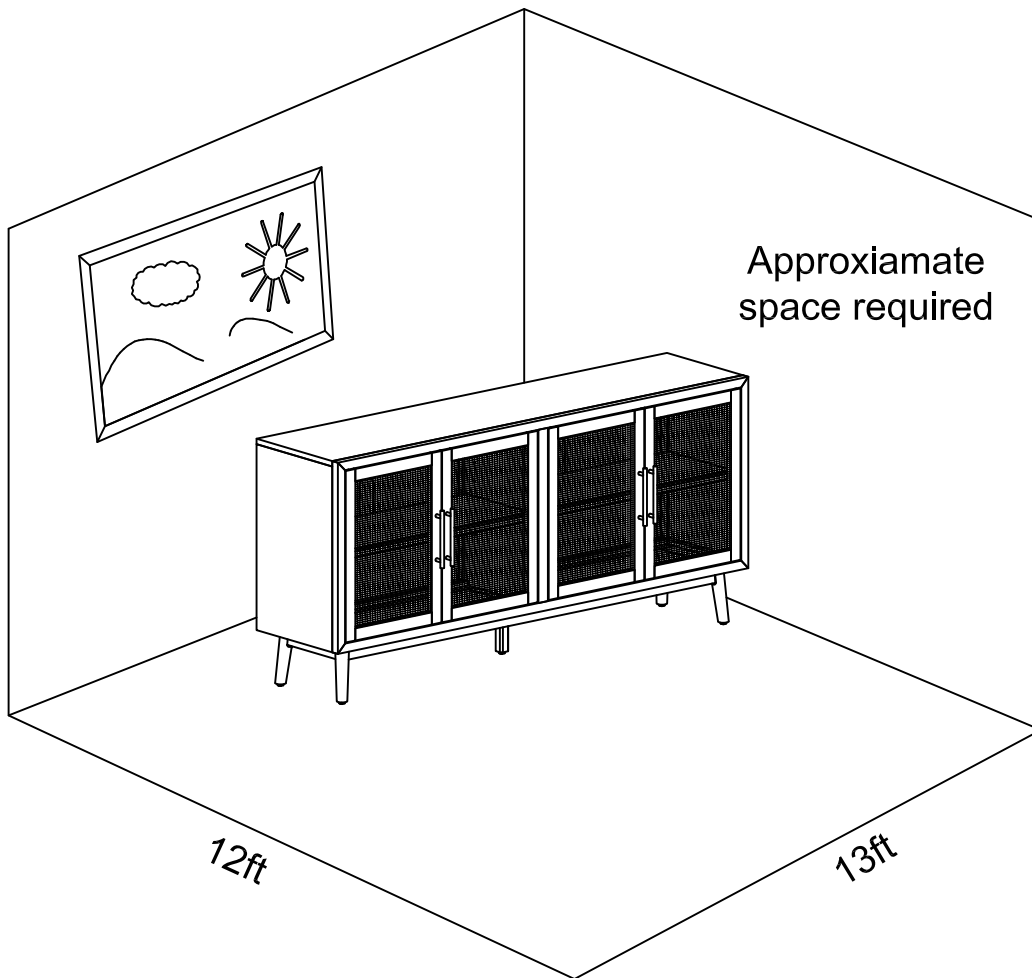
MSH-USA



15 min



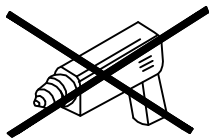
Two People Required



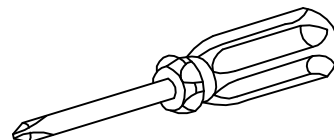
Approximate
space required

12ft

13ft



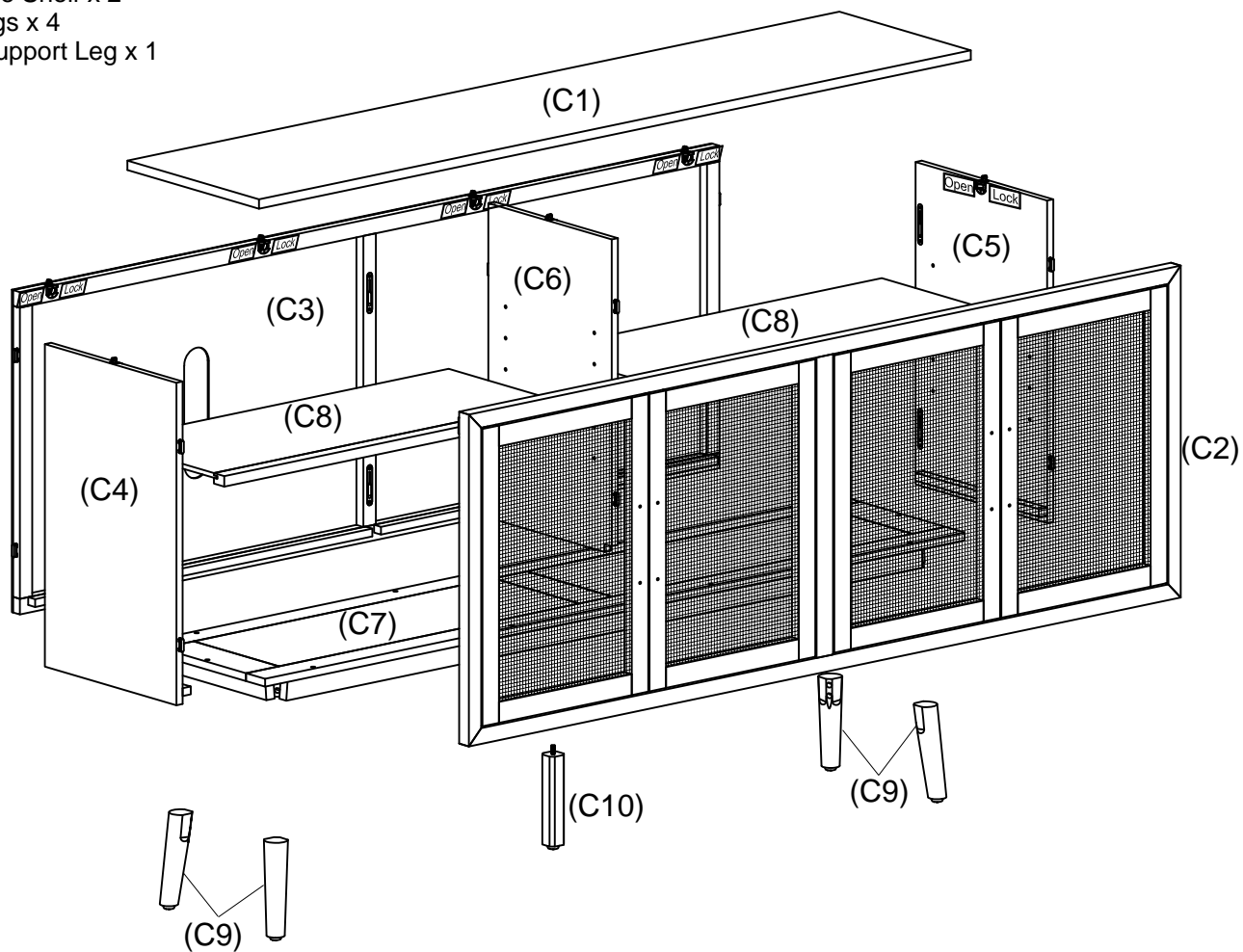
Do not use power tools




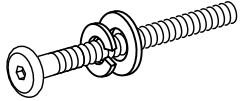
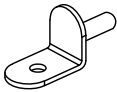

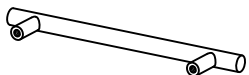
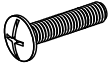

Phillips Head (Not provided)

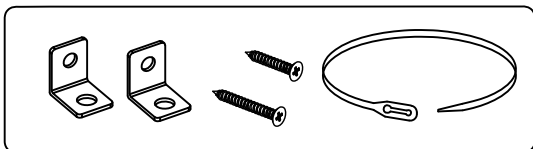
PARTS INCLUDED: 909444

- (C1) Top Panel x 1
- (C2) Front Frame x 1
- (C3) Back Panel x 1
- (C4) Left Side Panel x 1
- (C5) Right Side Panel x 1
- (C6) Middle Panel x 1
- (C7) Bottom Frame x 1
- (C8) Side Shelf x 2
- (C9) Legs x 4
- (C10) Support Leg x 1



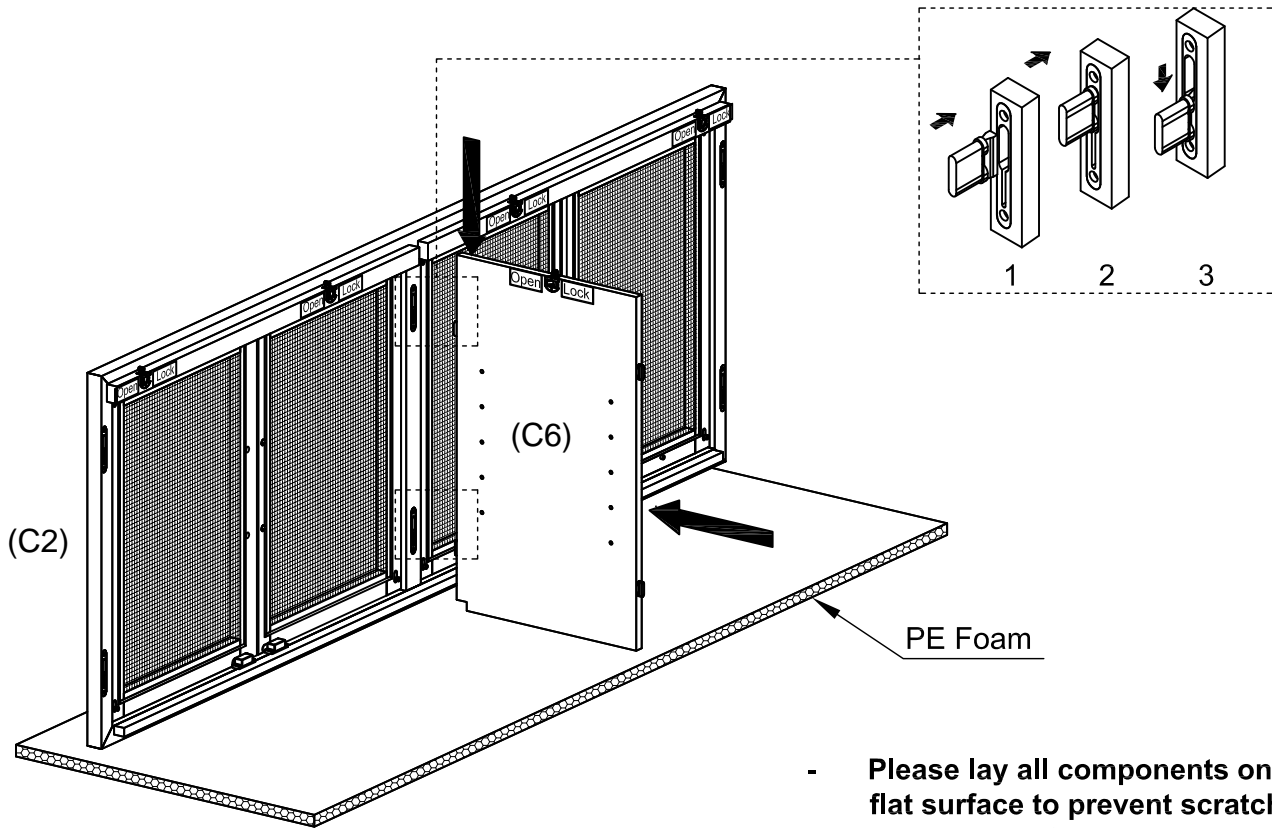
✓ Hardware Pack

<p>A</p>  <p>Ø6.3x25 (mm). 10pcs</p>	<p>B</p>  <p>Ø6.3x60 (mm). 8pcs</p>	<p>C</p>  <p>8pcs</p>	<p>D</p>  <p>Ø3.5x9 (mm). 8pcs</p>
<p>E</p>  <p>4pcs</p>	<p>F</p>  <p>Ø4x20 (mm). 8 pcs</p>	<p>G</p>  <p>1pc</p>	



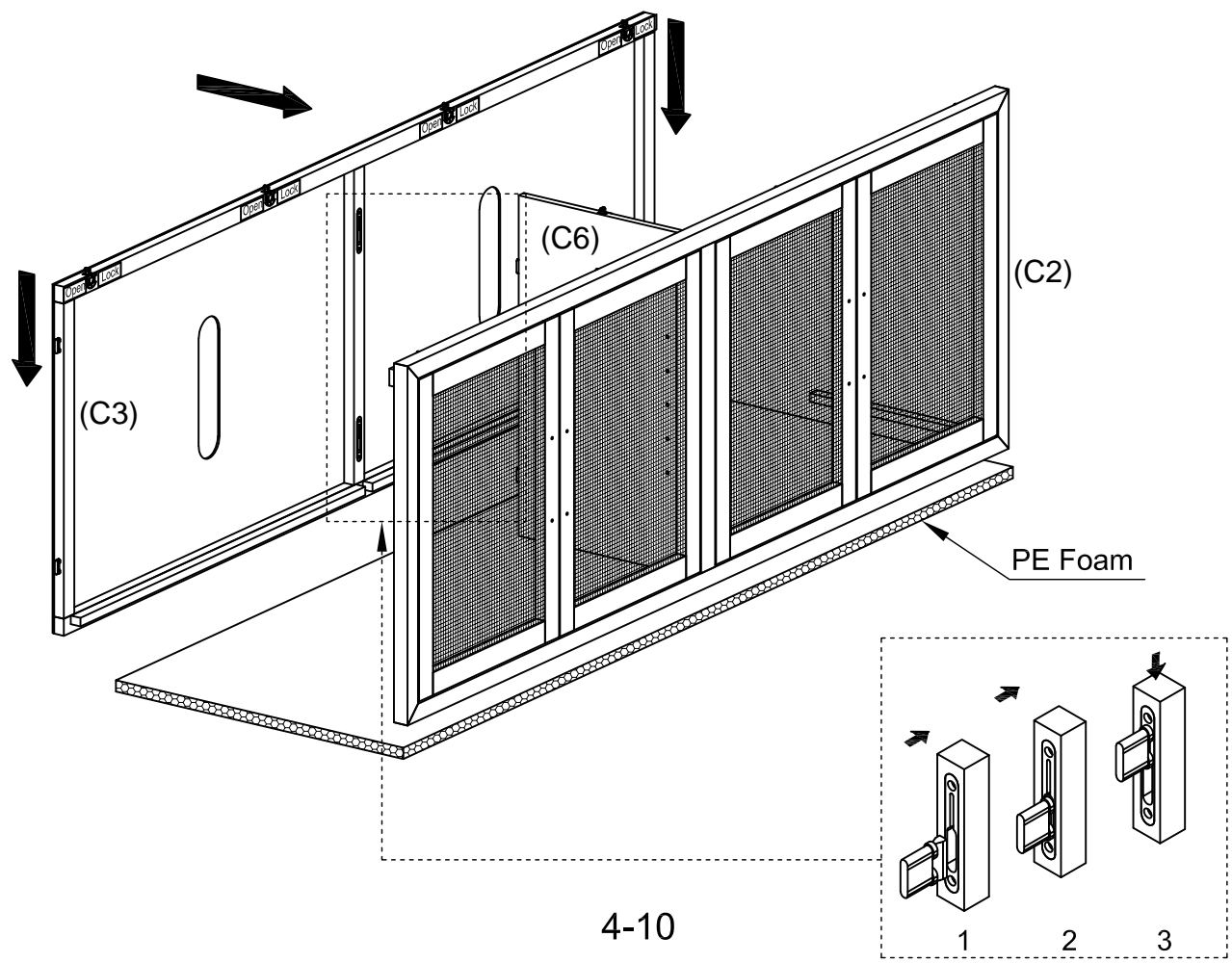
ANTI-TIP SET

1



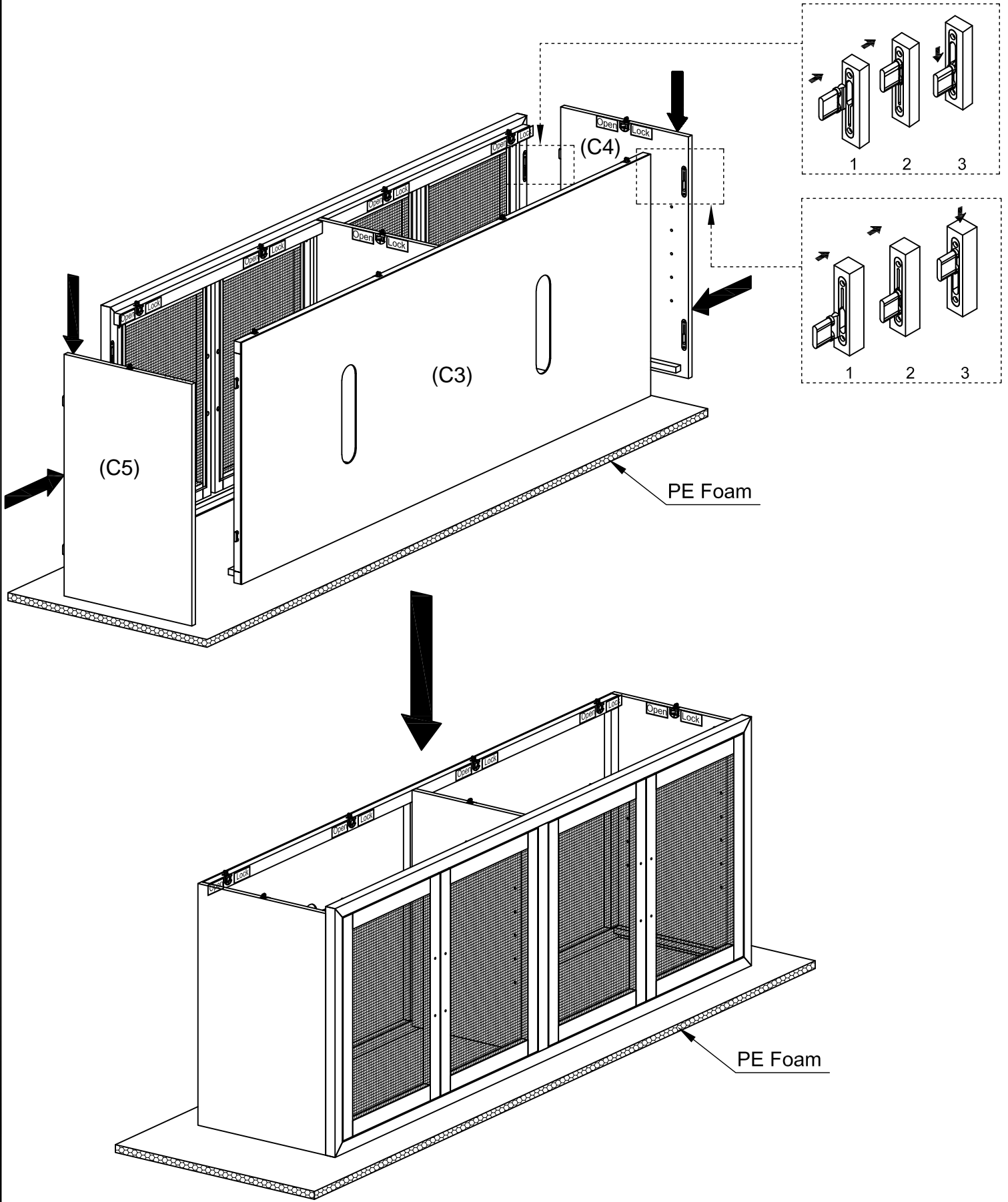
- Please lay all components on smooth flat surface to prevent scratches
- Use the EPE foam to protect the plastic hardware before assembly

2

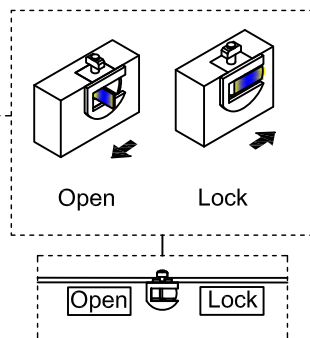
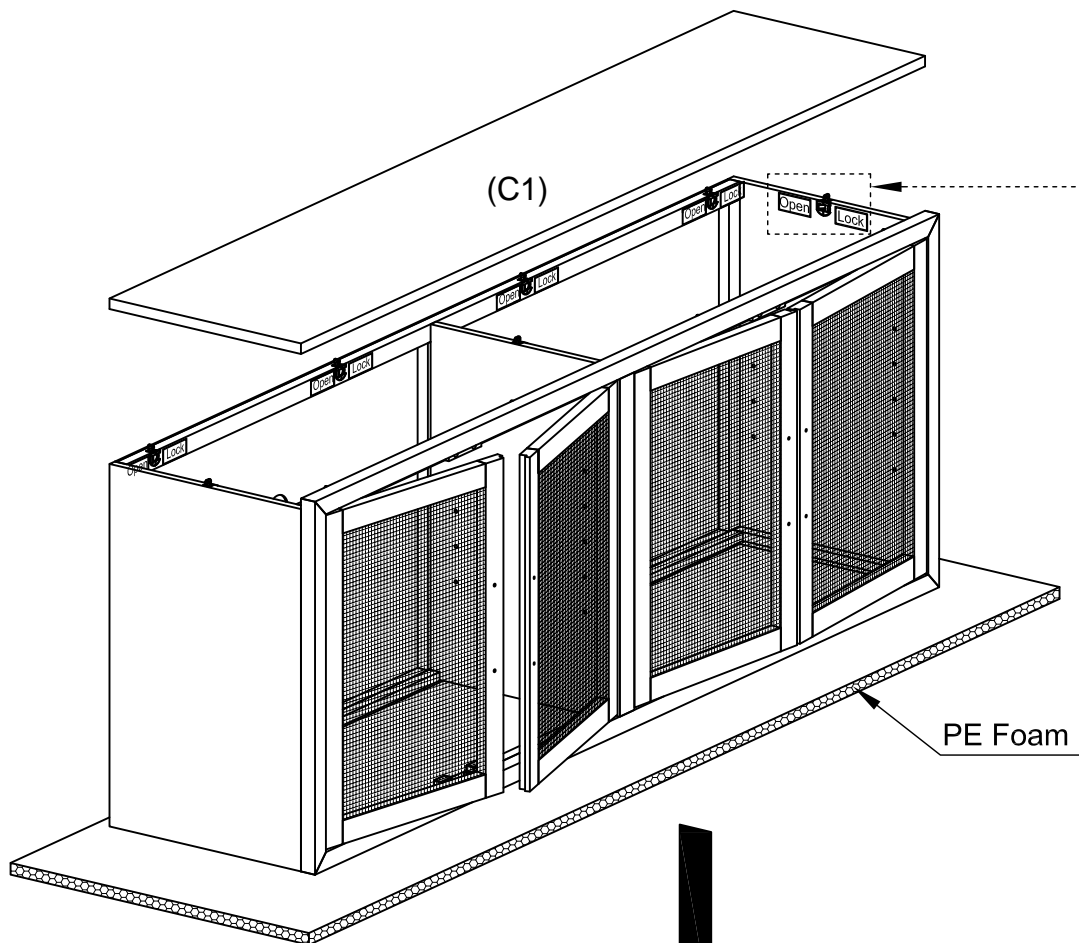


4-10

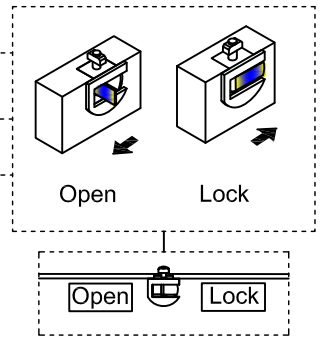
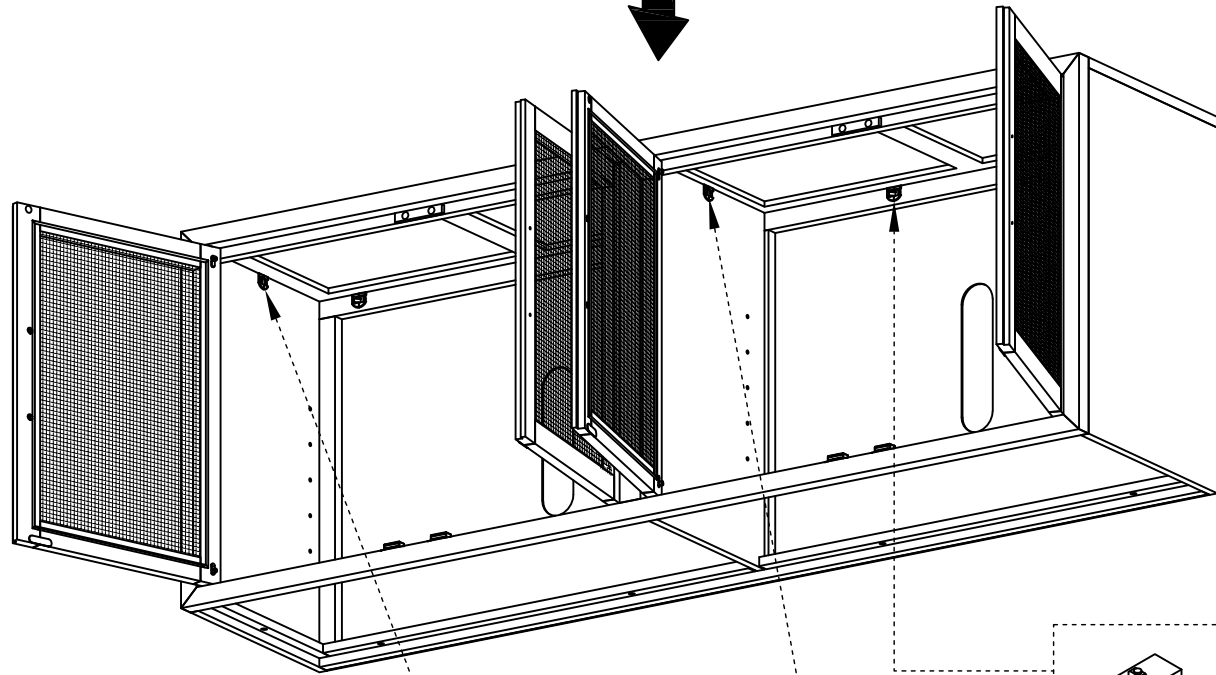
3



4



Make sure all latches are in the open position before installing Top Panel (a)



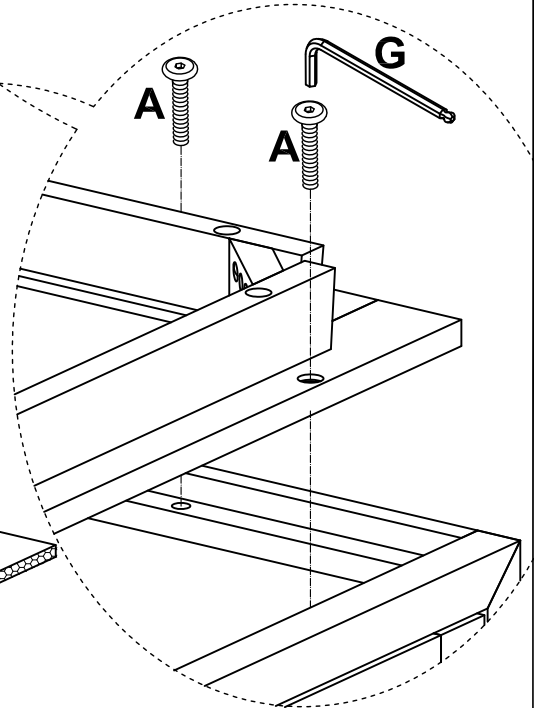
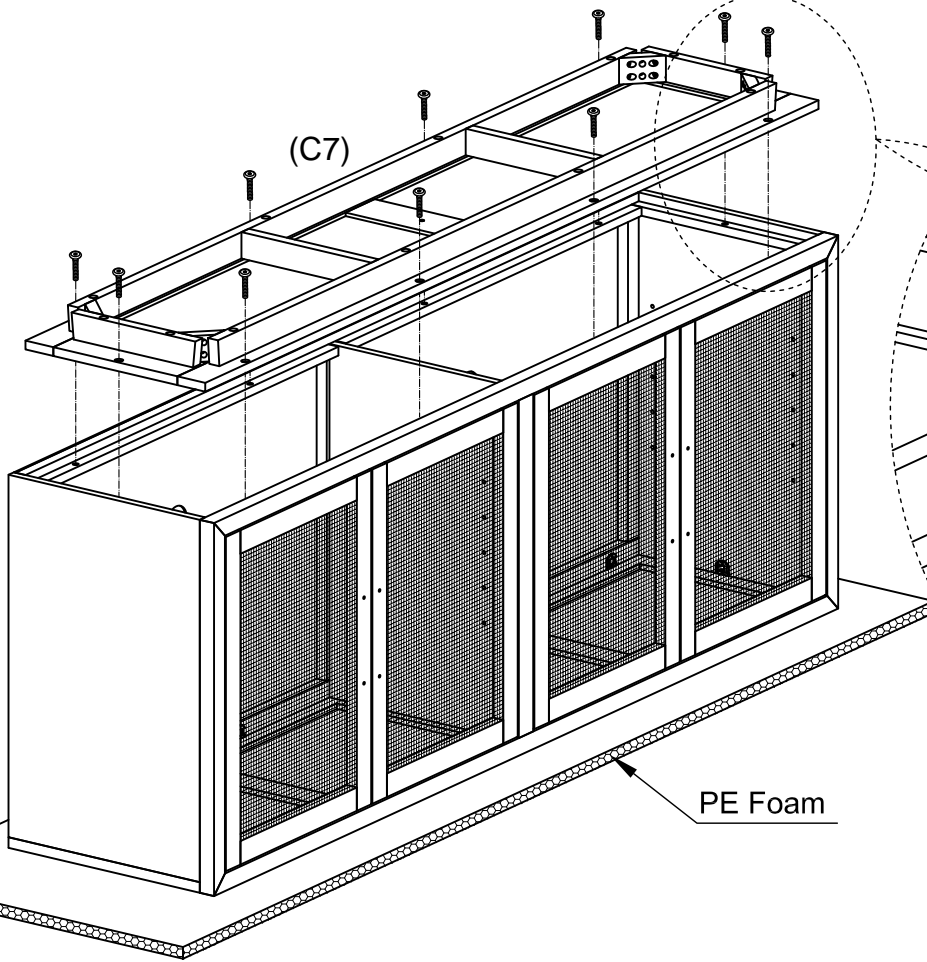
Make sure all latches are in the locked position

5

A x 10

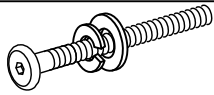


G x 1

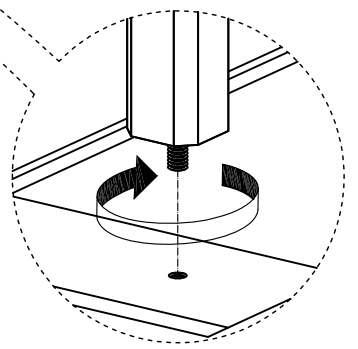
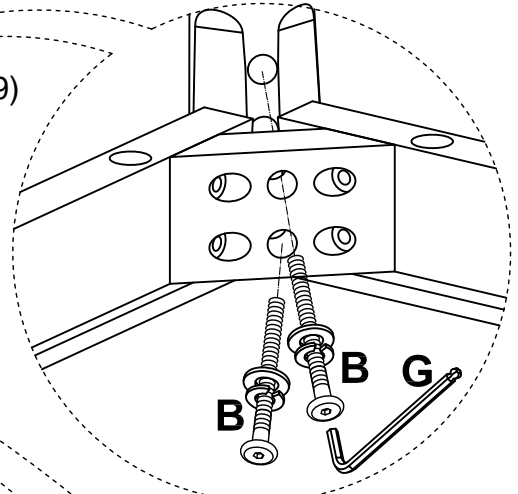
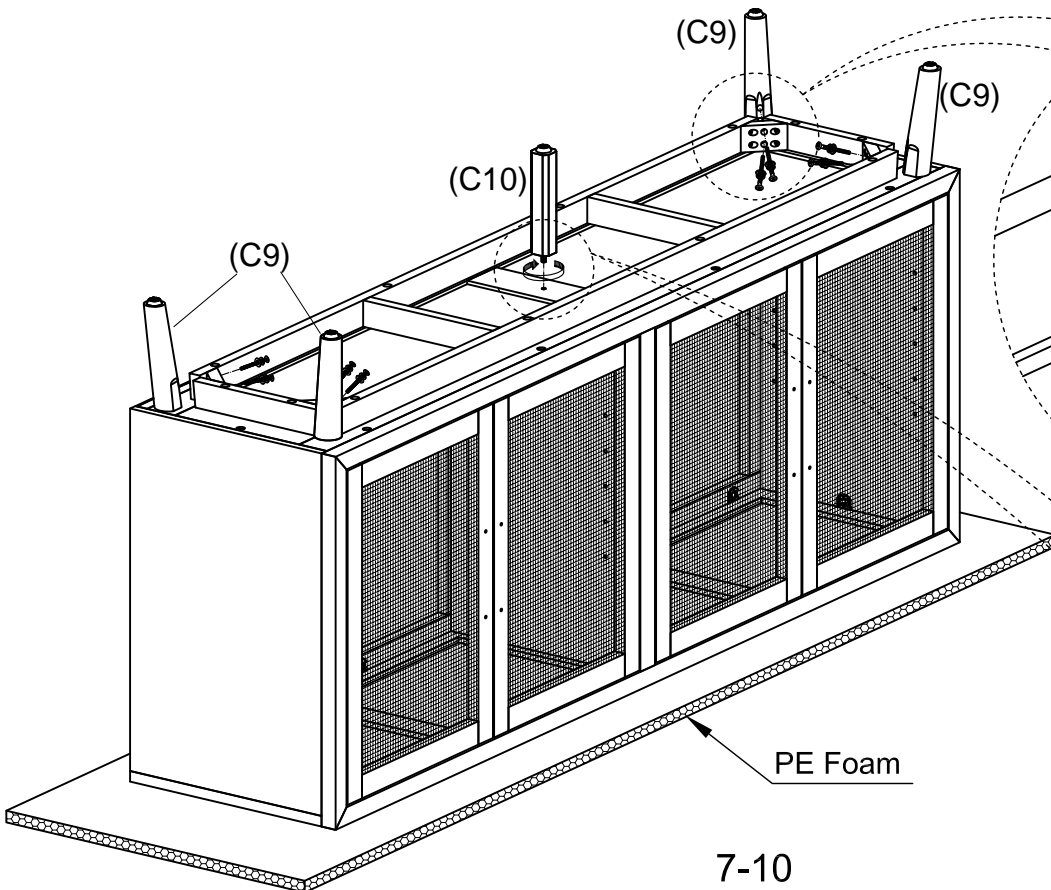


6

B x 8



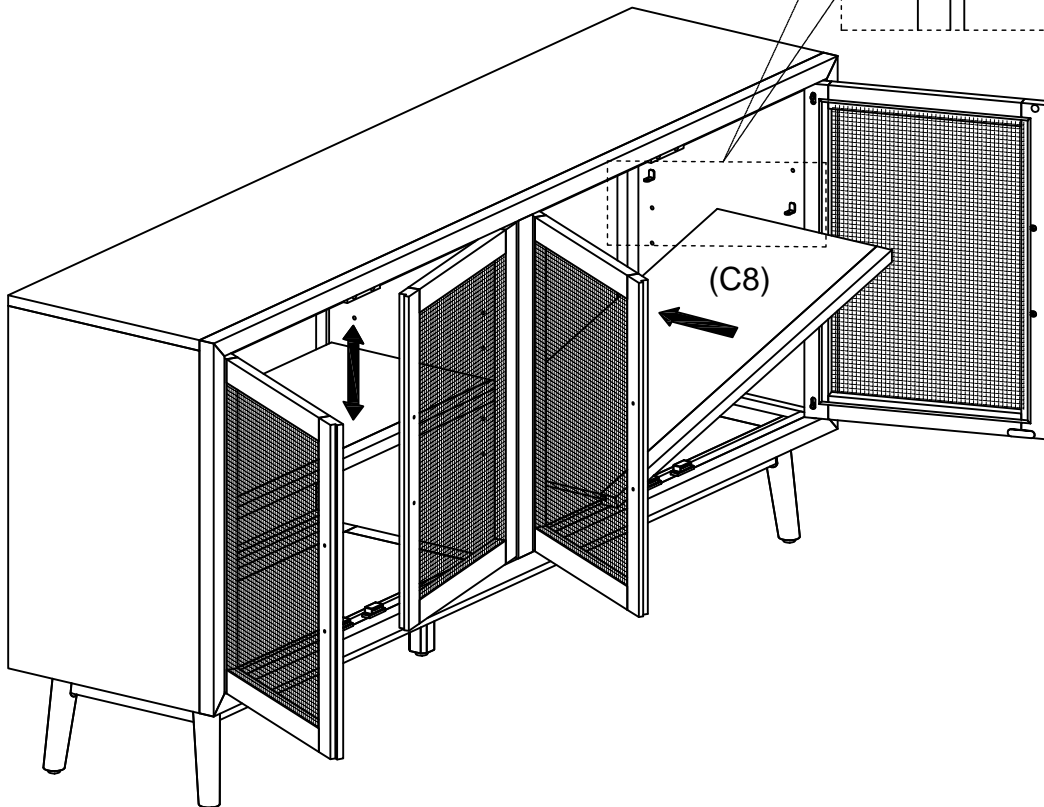
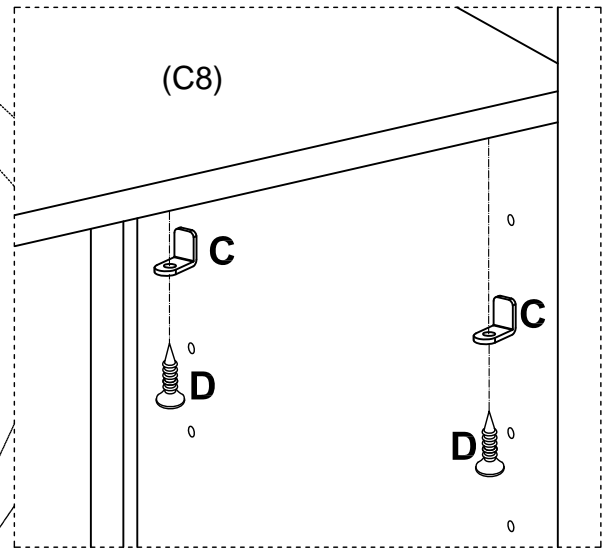
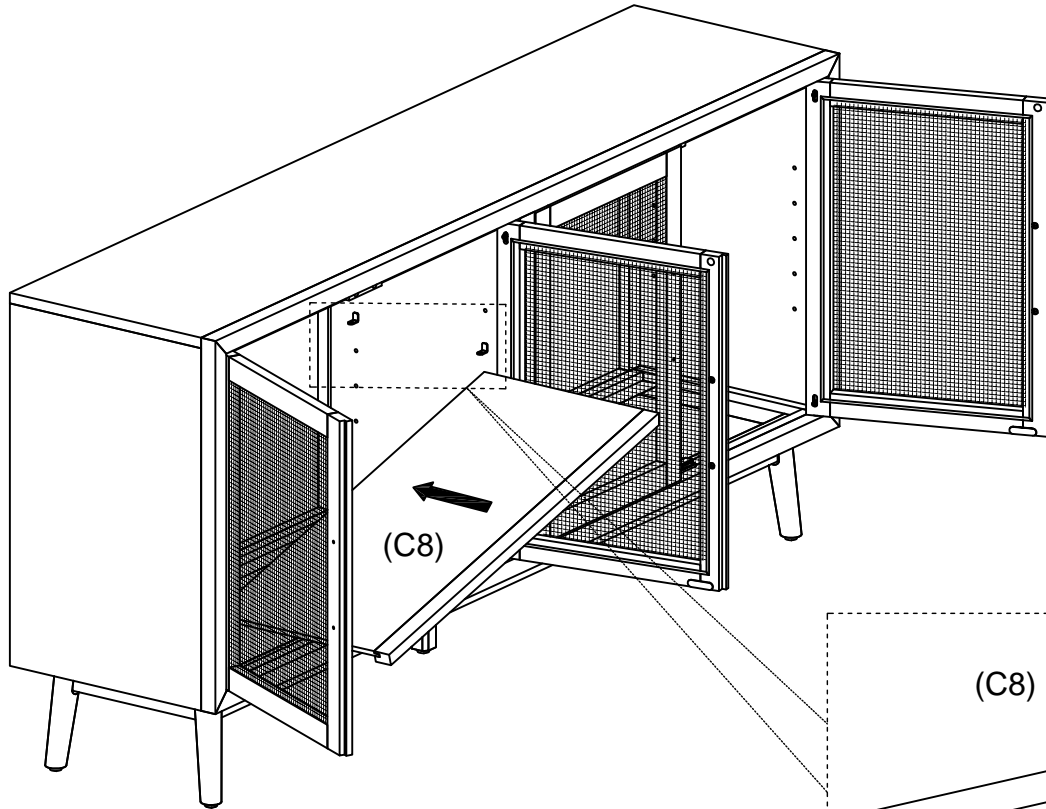
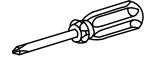
G x 1



7 C x 8

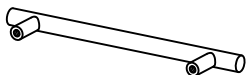


D x 8

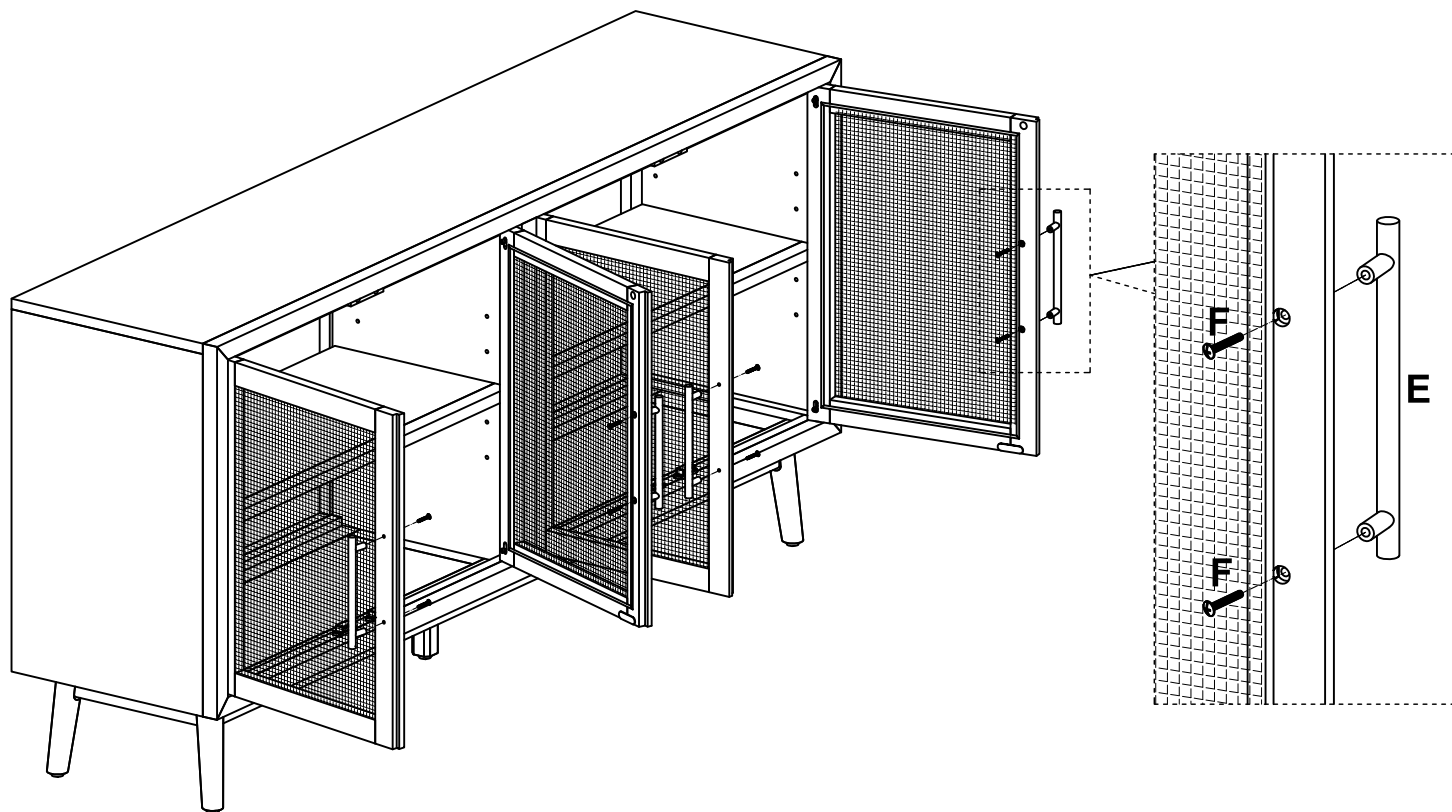
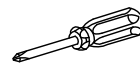
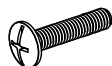


8

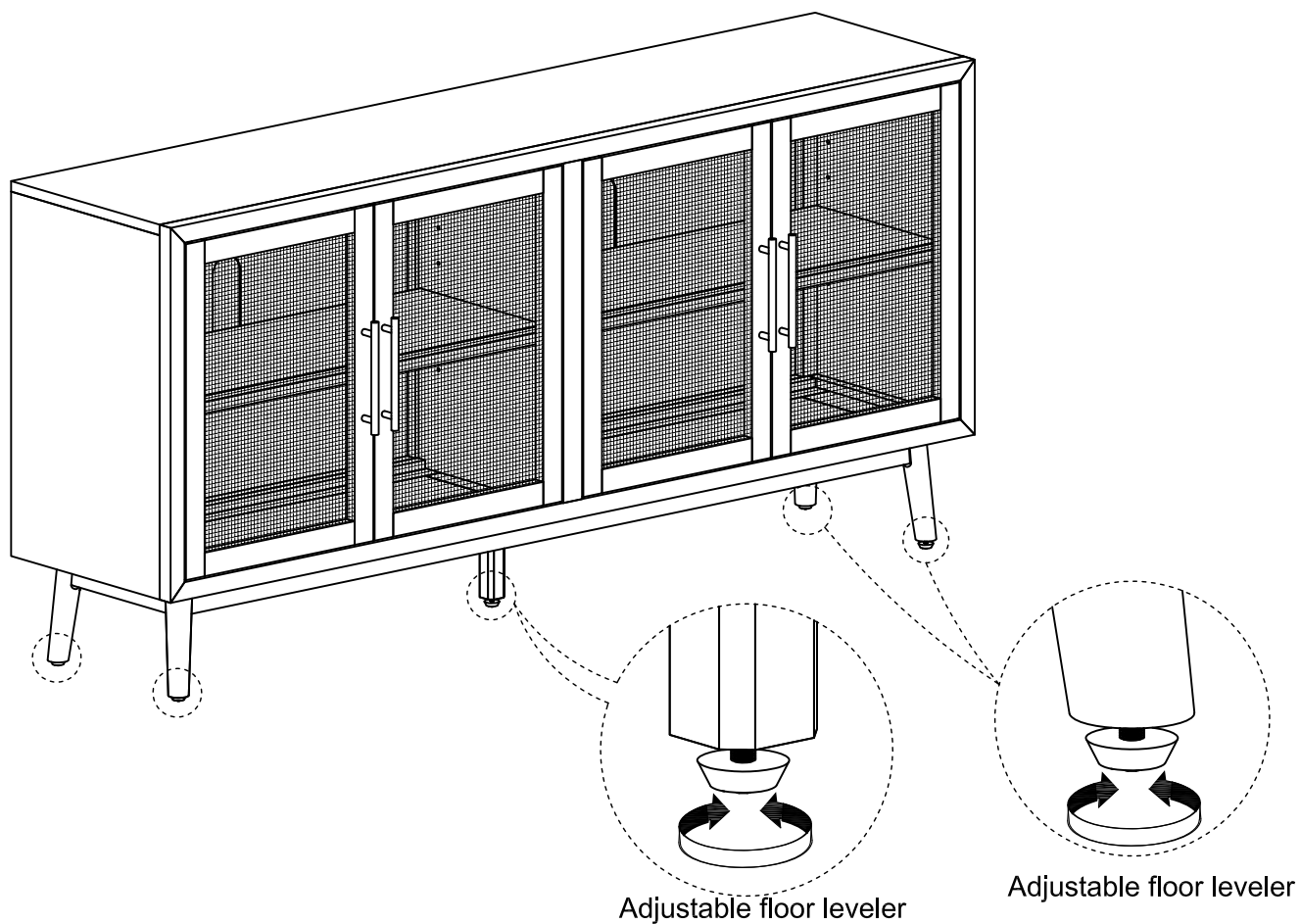
Ex 4



F x 8



9



Adjustable floor leveler

Adjustable floor leveler

10

