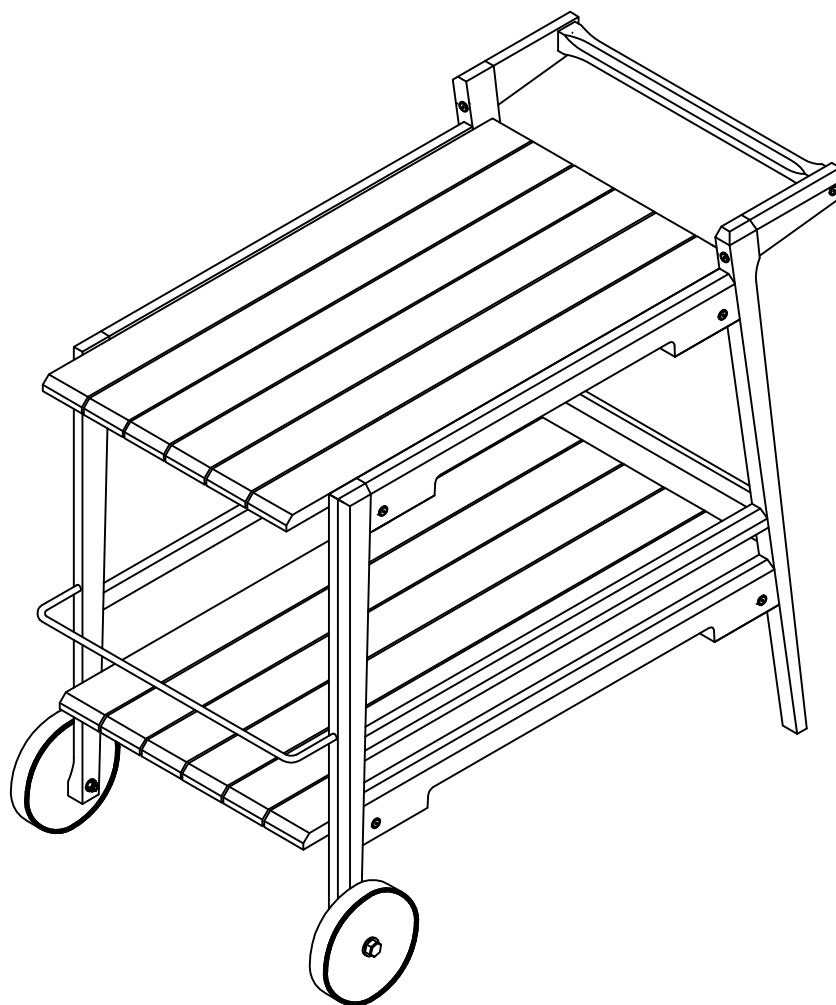
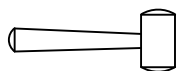


ASSEMBLY INSTRUCTIONS

BAR TROLLEY



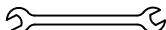
Tools Required (Not Included)



Rubber Hammer



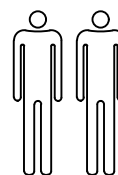
Phillips Screwdriver



Wrench

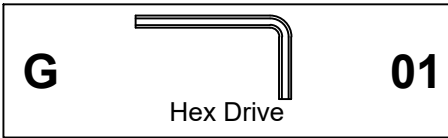
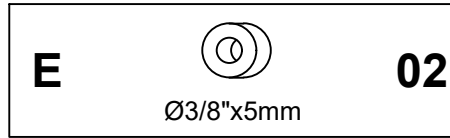
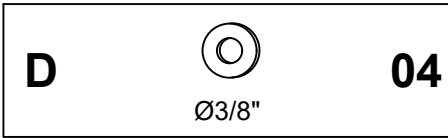
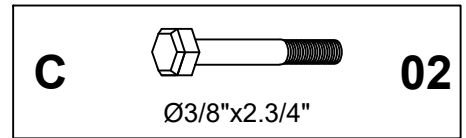
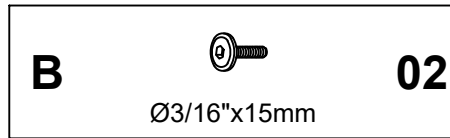
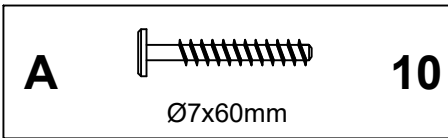


Cordless Drive (*)

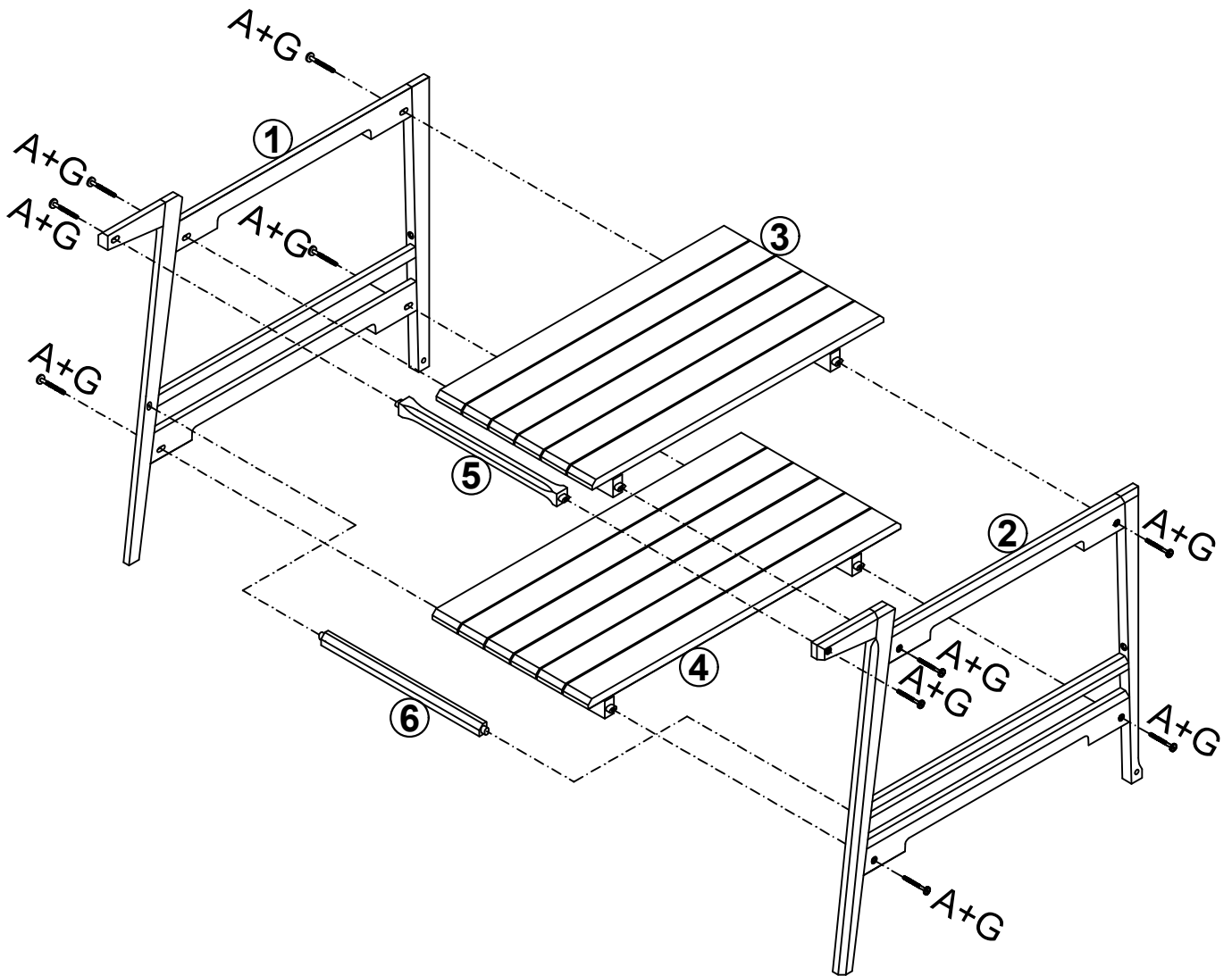
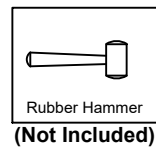
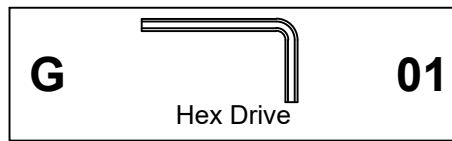
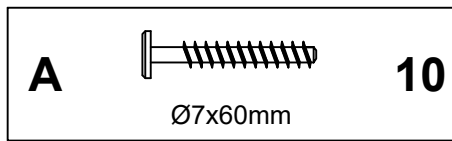


(*) NOTE: Optional - use in place of hex drive.

Identifying the Hardware-Identify the hardware using the illustrations below.



01



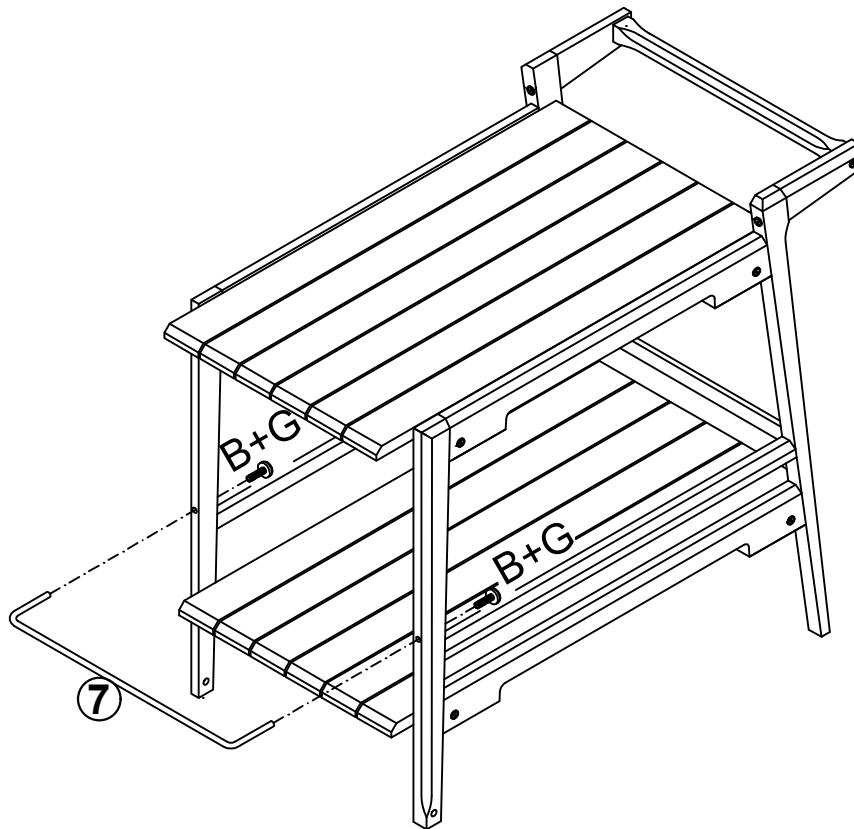
02

B

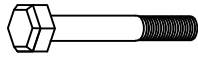
Ø3/16"x15mm

02**G**

Hex Drive

01Rubber Hammer
(Not Included)

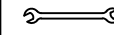
03

C

Ø3/8"x2.3/4"

02**D**

Ø3/8"

04Wrench
(Not Included)**E**

Ø3/8"x5mm

02**F**

Ø3/8"

02**2x**