

ASSEMBLY INSTRUCTIONS

SKU: XVT

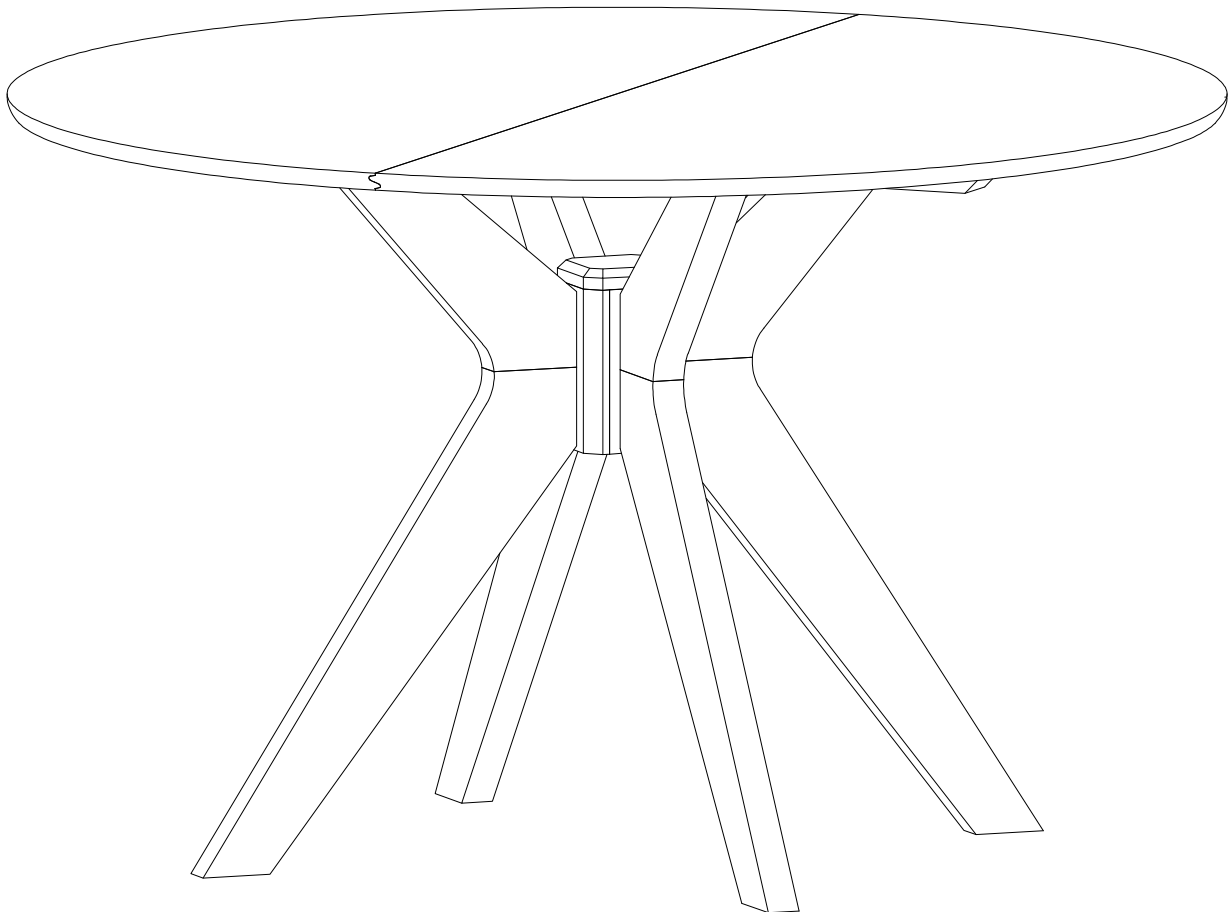


Factory2Home

FROM OUR FACTORY TO YOUR HOME

14800 Almeda School Road,
Houston, TX 77047

Email: sales@factory2home.net



Description : XAVION 48-INCH ROUND DINING TABLE
Product Dimension : 48"W x48"D x30"H
Cube Size : 51"x 27"x 6.7"

NW: 49.5 LBS

GW: 56.1 LBS

Xavion 48-inch Round Dining Table

BEFORE ASSEMBLY

Thank you for purchasing this quality product. This product has been designed for easy assembly and constructed for durability. Please take the time to read and follow the assembly instructions carefully.

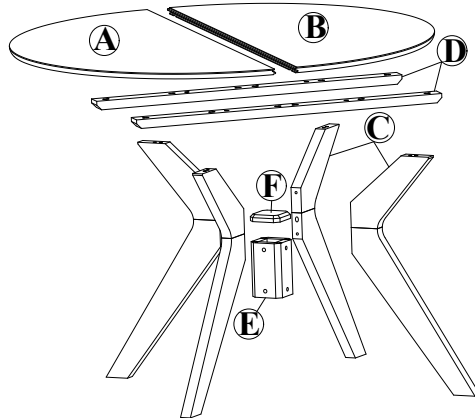
Be sure to check all packing material carefully for small parts which may have come loose inside the carton during shipment. Please separate, identify, and count all parts and metal hardware. Compare with part list to be sure all parts are present. If hardware is missing or you have difficulty assembling this product, please call for us at sales@factory2home.net.

IMPORTANT NOTE:

- Place all wooden parts on a clean and smooth surface such as a rug or carpet to avoid the parts from being scratched.
- Remove all wrapping material, including staples & packing straps before you start to assemble.
- DO NOT tighten all screws and bolts until completely assembled.
- Keep all hardware parts out of reach of children.

PART LIST

When unpacking, please be careful not to discard any parts with the packaging. Before continuing, please make sure you have the following parts:



NO	Description	Qty	Sketch	NO	Description	Qty	Sketch
A	Table top	1		B	Table top	1	
C	Table legs	4		D	Cross piece	2	
E	Pedestal	1		F	Cap	1	

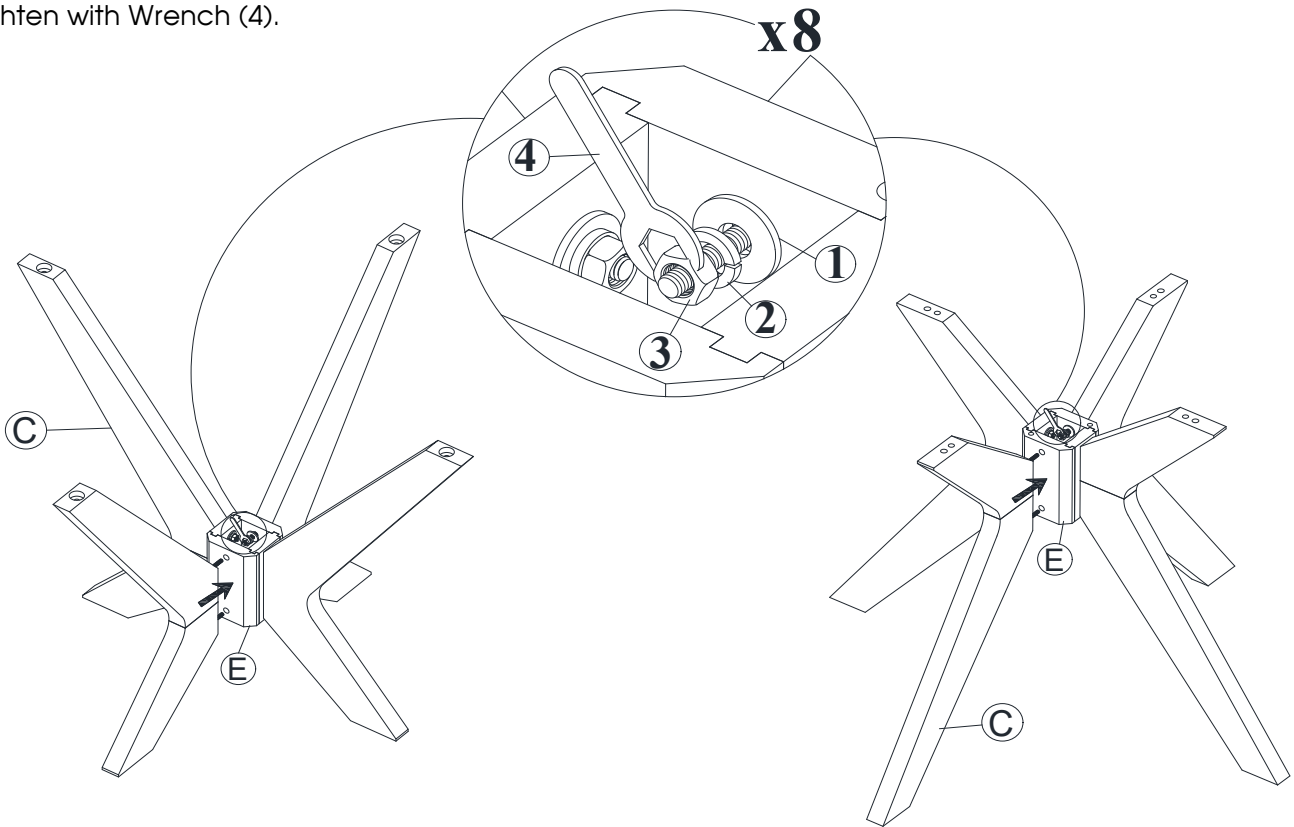
HARDWARE LIST

When unpacking, please be careful not to discard any parts with the packaging. Before continuing, please make sure you have all of the following hardware:

NO	Description	Qty	Sketch	NO	Description	Qty	Sketch
1	Flat washer ($\Phi 8.5 \times \Phi 19 \text{mm}$)	8		2	Lock washer ($\Phi 8.5 \times \Phi 13 \text{mm}$)	8	
3	Hexagon nut (M8x13mm)	8		4	Wrench (M13mm)	1	
5	Bolt (M6x40mm)	12		6	Flat washer ($\Phi 6.5 \times \Phi 19 \text{mm}$)	12	
7	Bolt (M8x50mm)	4		8	Bolt (M6x12mm)	4	
9	Allen key (M4)	1		10	Oval Mending Plate	2	

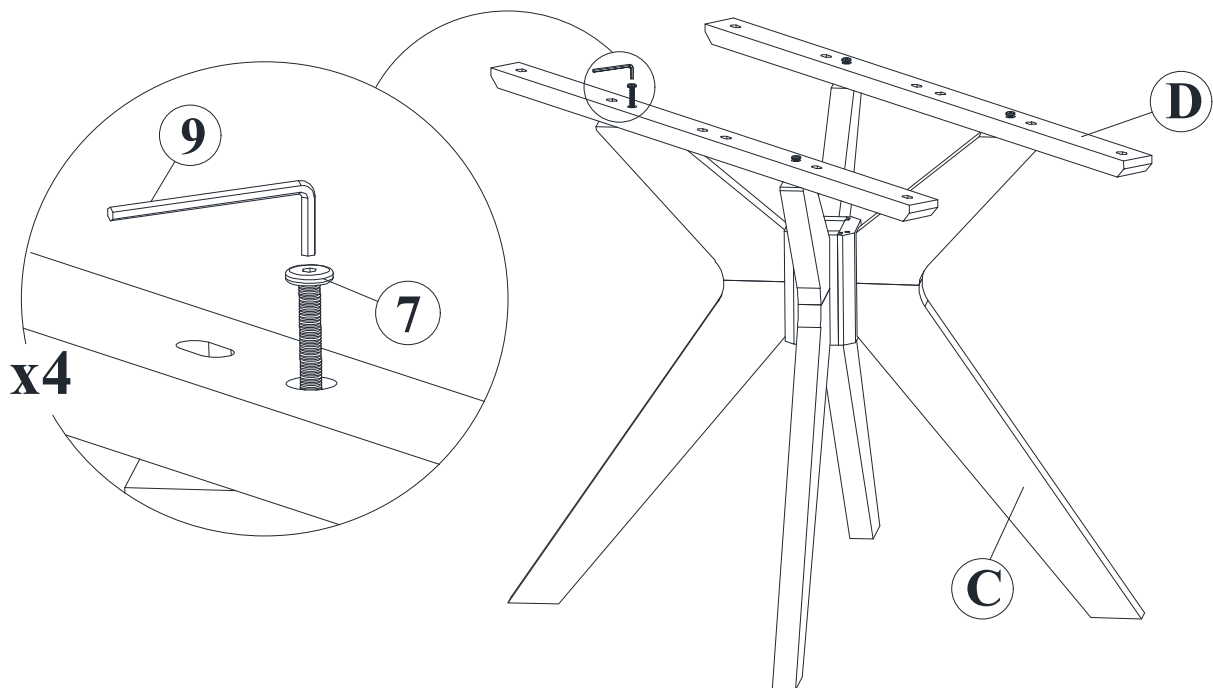
STEP 1

- Attach Table legs (C) to Pedestal (E) with Hexagon nuts (3), Flat washers (1) and Lock washers (2). Tighten with Wrench (4).



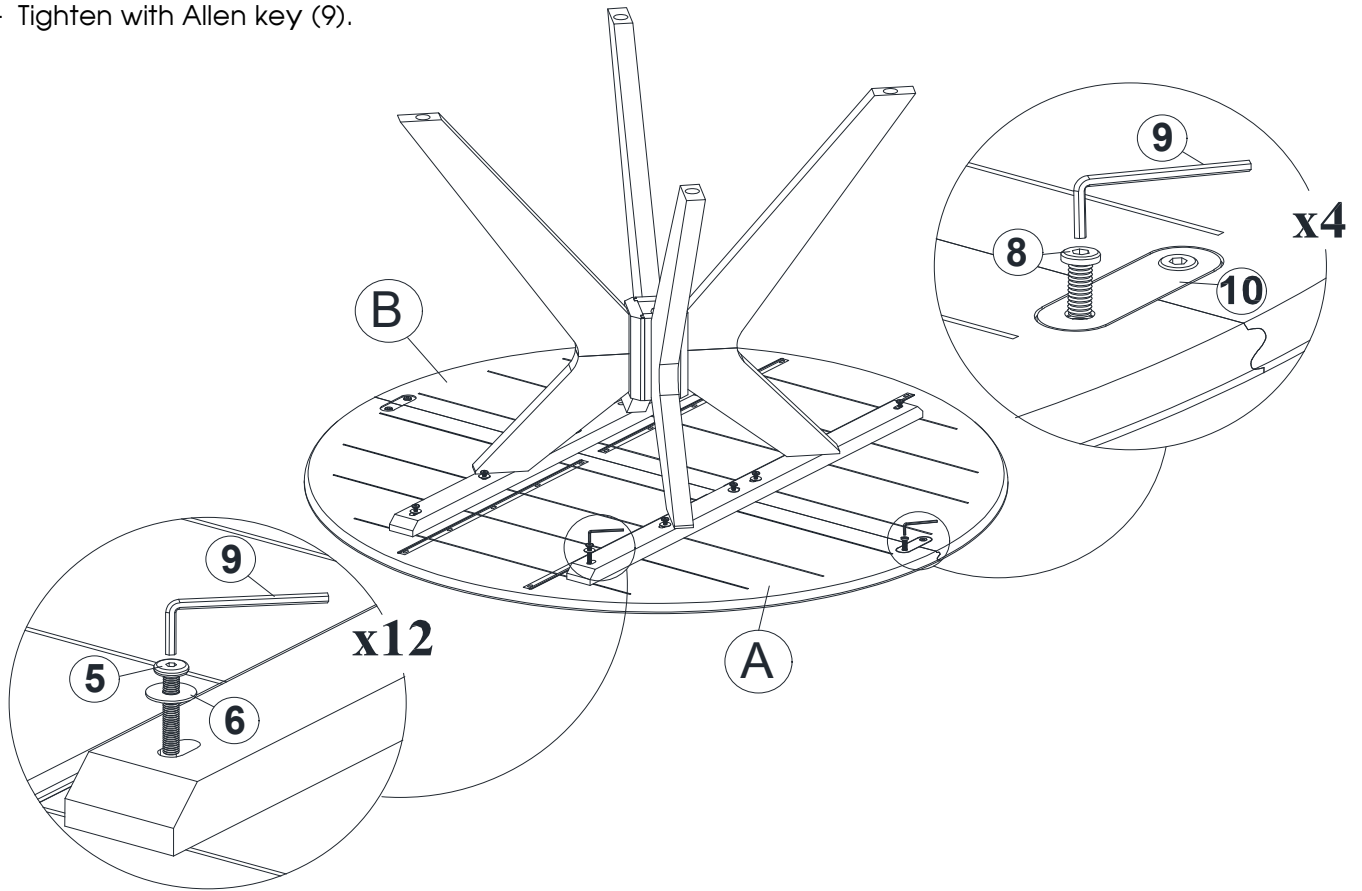
STEP 2

- Attach Cross piece (D) to the Table legs (C) with Bolts (7). Tighten with Allen key (9).



STEP 3

- Attach the Oval mending plate (10) on Table top (A), (B) using Bolts (8).
- Attach the Cross Piece (from Step 2) to Table top (A), (B) using Bolts (5) and Flat washers (6).
- Tighten with Allen key (9).



STEP 4

- Attach Cap (F) to the Pedestal (E). Complete the assembly.

