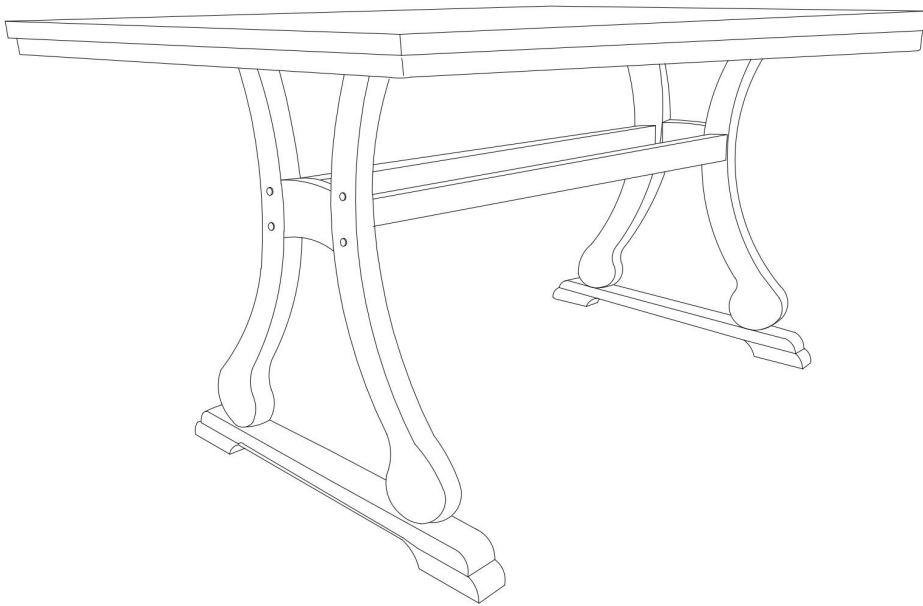


# ASSEMBLY INSTRUCTIONS

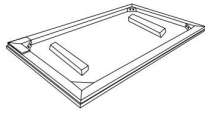
## DINING TABLE



### IMPORTANT NOTE:

- PLACE ALL PARTS ON A CLEAN AND SMOOTH SURFACE SUCH AS A RUG OR CARPET TO AVOID THE PARTS FROM BEING SCRATCHED.
- BEFORE YOU BEGIN, KINDLY FOLLOW THE ASSEMBLY INSTRUCTIONS STEP BY STEP.
- DO NOT TIGHTEN ALL SCREWS AND BOLTS UNTIL THE TABLE IS FULLY SET-UP.

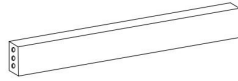
## CARTON CONTENT:



**1** x 1



**2** x 2



**3** x 2

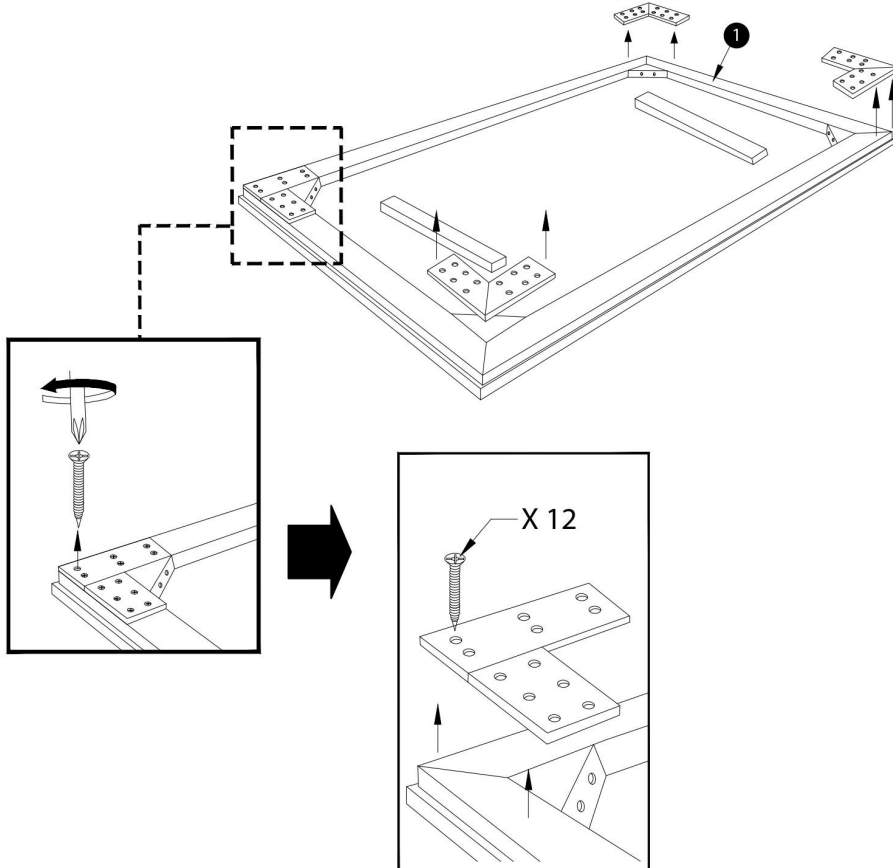
### TABLE PART LISTS

NO.	DESCRIPTION	SKETCH	QTY
1	TABLE TOP		1 PC
2	TABLE LEG		2 PCS
3	RAIL		2 PCS

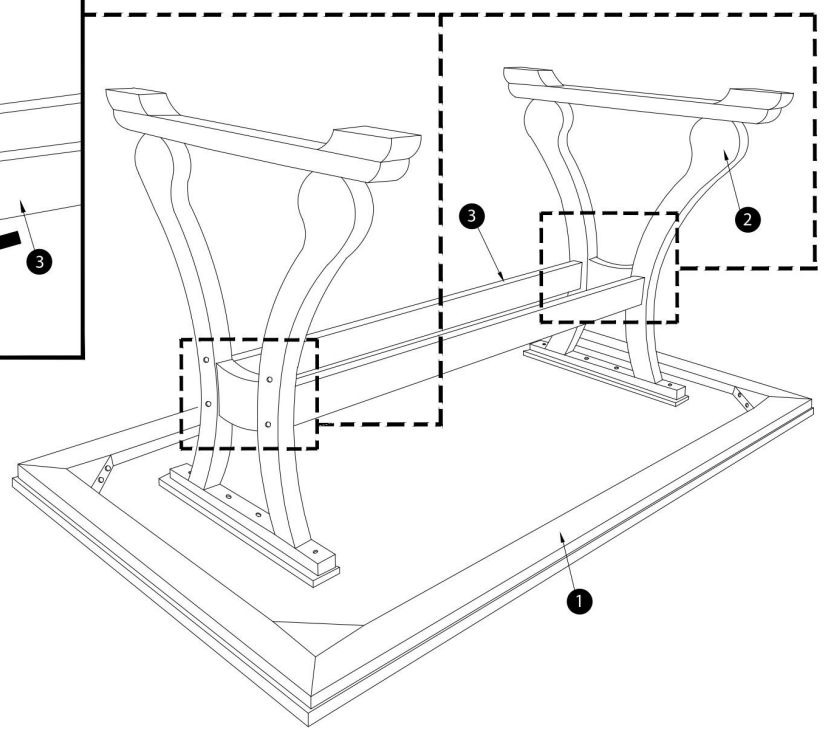
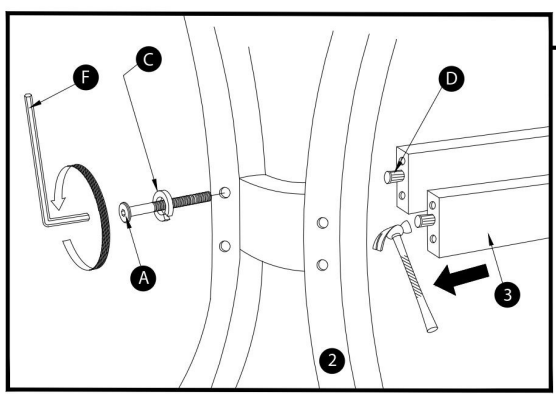
### TABLE HARDWARE LISTS

NO.	DESCRIPTION	SKETCH	QTY
A	JCBC BOLT M6 X 60 mm		8 PCS
B	CSK SCREW M4 X 38 mm		8 PCS
C	SPRING WASHER M6		8 PCS
D	DOWEL M8 X 35 mm		4 PCS
E	WOOD BUTTON M14.5		8 PCS
F	ALLEN KEY M4		1 PC
SCREW DRIVER			NOT INCLUDED
HAMMER			NOT INCLUDED

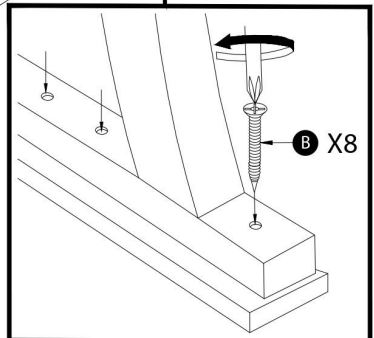
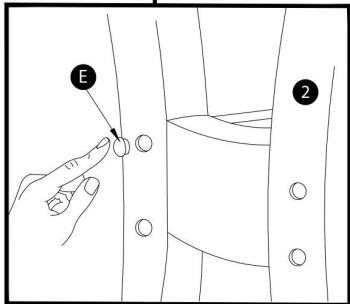
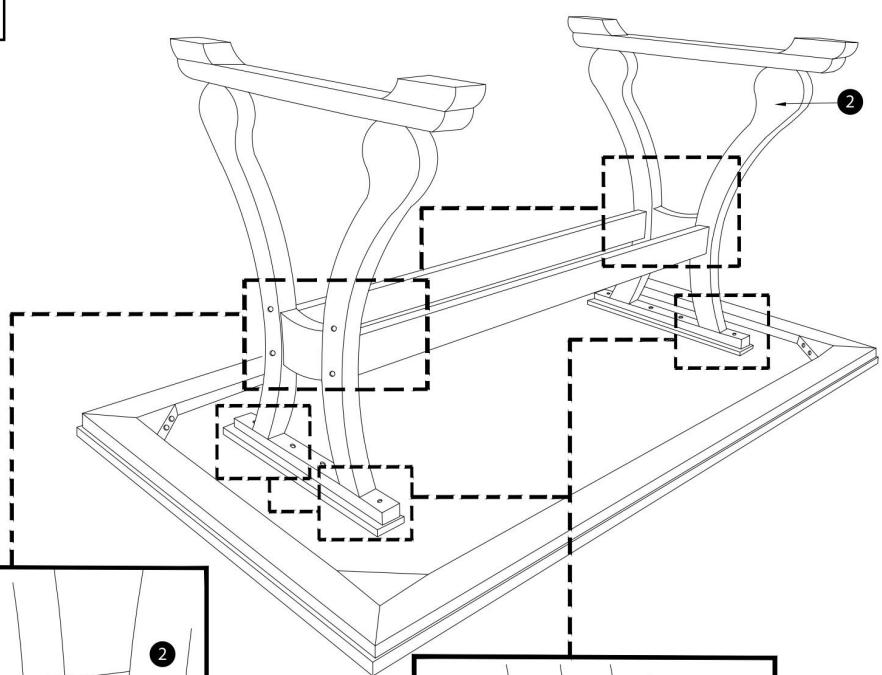
### STEP 1



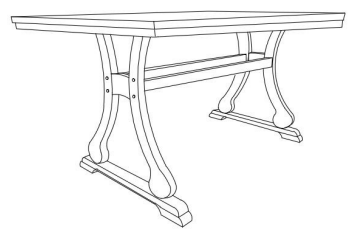
STEP 2



STEP 3

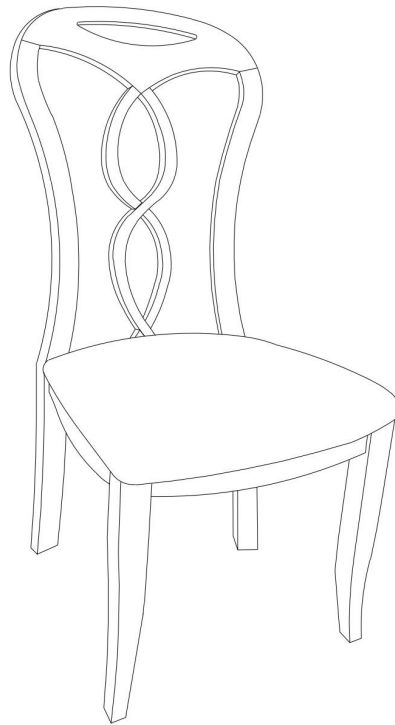


ASSEMBLY COMPLETE !



# ASSEMBLY INSTRUCTIONS

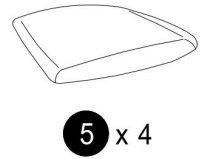
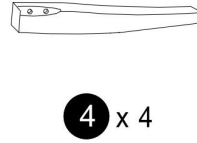
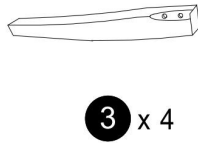
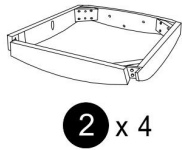
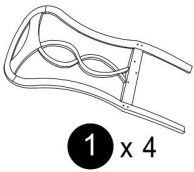
## DINING CHAIR



### **IMPORTANT NOTE:**

- PLACE ALL PARTS ON A CLEAN AND SMOOTH SURFACE SUCH AS A RUG OR CARPET TO AVOID THE PARTS FROM BEING SCRATCHED.
- BEFORE YOU BEGIN, KINDLY FOLLOW THE ASSEMBLY INSTRUCTIONS STEP BY STEP.
- DO NOT TIGHTEN ALL SCREWS AND BOLTS UNTIL THE CHAIR IS FULLY SET-UP.

### CARTON CONTENT:



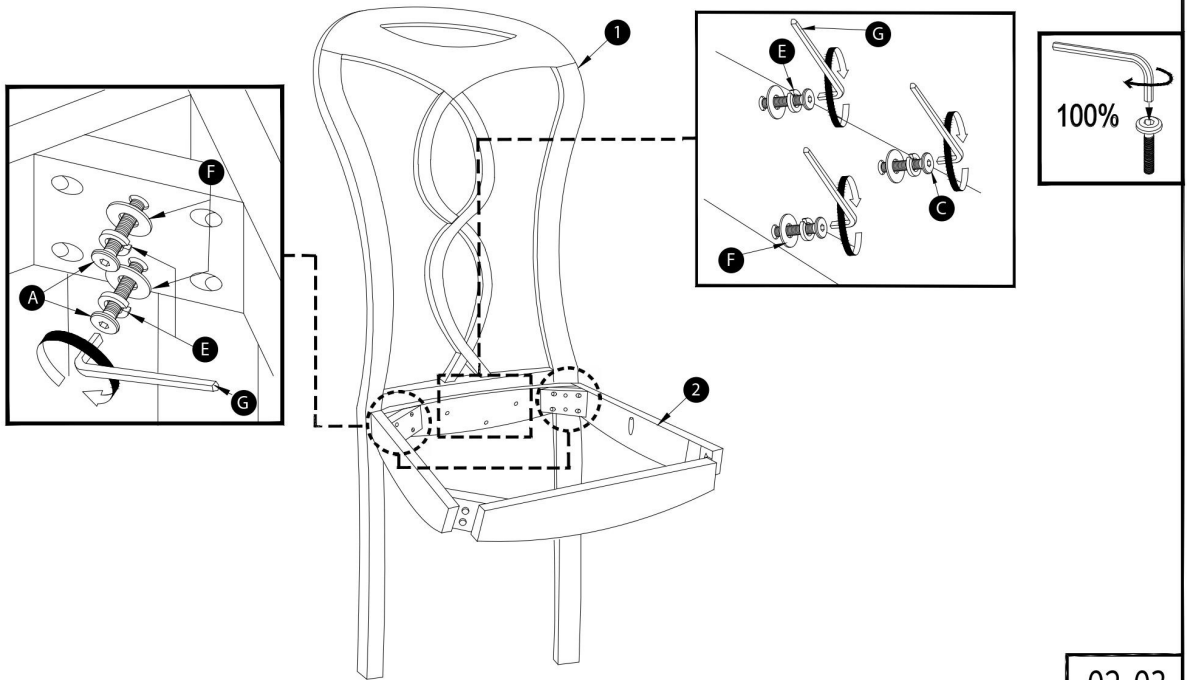
#### CHAIR PART LISTS

NO.	DESCRIPTION	SKETCH	QTY
1	CHAIR BACK		4 PCS
2	BOX SEAT		4 PCS
3	FRONT LEG - R		4 PCS
4	FRONT LEG - L		4 PCS
5	SEAT		4 PCS

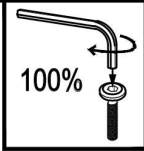
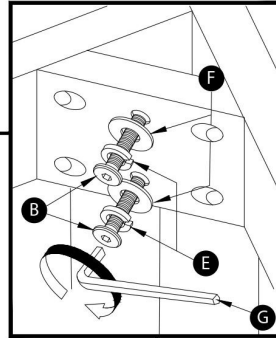
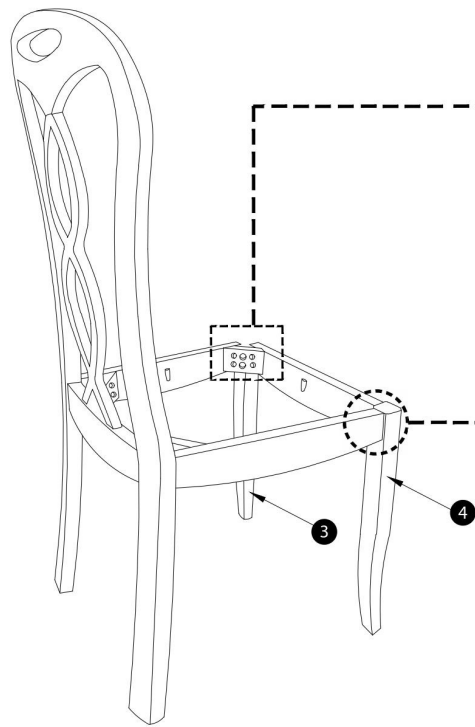
#### CHAIR HARDWARE LISTS

NO.	DESCRIPTION	SKETCH	QTY
A	JCBC BOLT M6 X 75 mm		16 PCS
B	JCBC BOLT M6 X 60 mm		16 PCS
C	JCBC BOLT M6 X 38 mm		12 PCS
D	CSK SCREW M4 X 32 mm		12 PCS
E	SPRING WASHER M6		44 PCS
F	FLAT WASHER M6		44 PCS
G	ALLEN KEY M4		1 PC
SCREW DRIVER			NOT INCLUDED

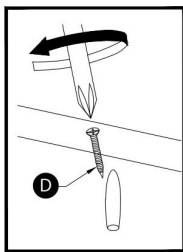
#### STEP 1



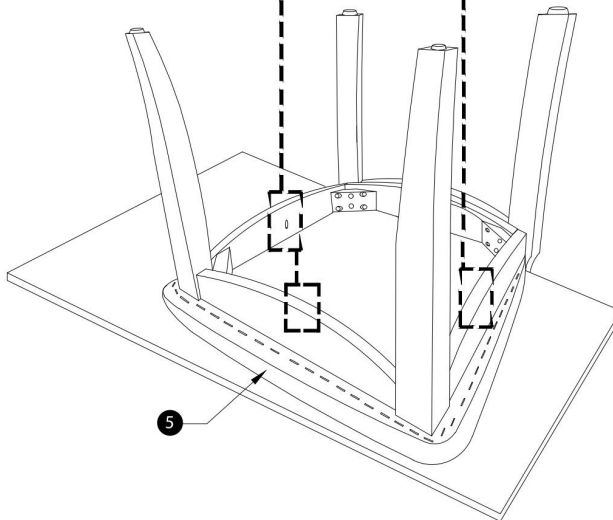
STEP 2



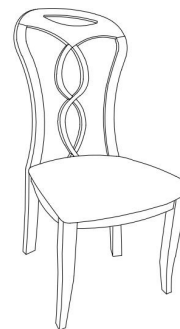
STEP 3



X3

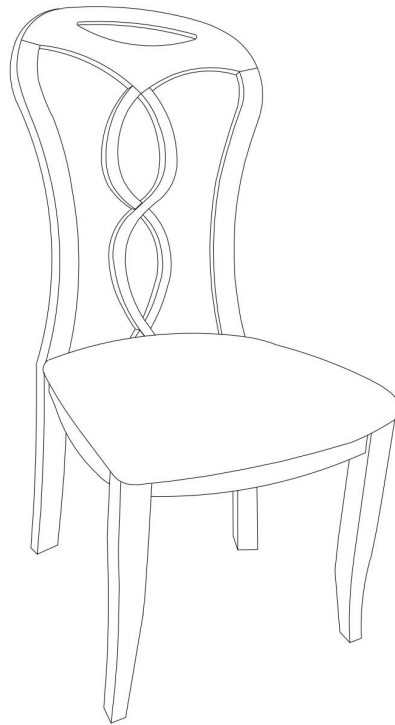


ASSEMBLY COMPLETE !



# ASSEMBLY INSTRUCTIONS

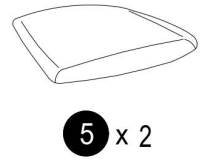
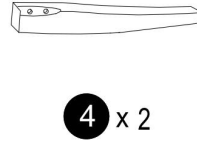
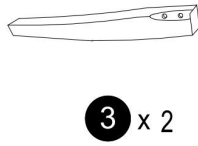
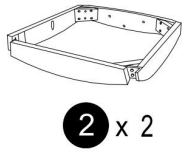
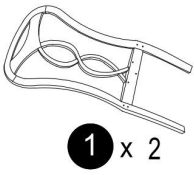
## DINING CHAIR



### **IMPORTANT NOTE:**

- PLACE ALL PARTS ON A CLEAN AND SMOOTH SURFACE SUCH AS A RUG OR CARPET TO AVOID THE PARTS FROM BEING SCRATCHED.
- BEFORE YOU BEGIN, KINDLY FOLLOW THE ASSEMBLY INSTRUCTIONS STEP BY STEP.
- DO NOT TIGHTEN ALL SCREWS AND BOLTS UNTIL THE CHAIR IS FULLY SET-UP.

### CARTON CONTENT:



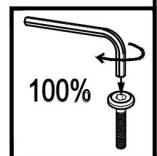
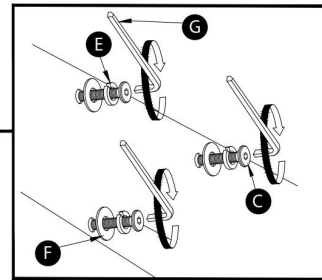
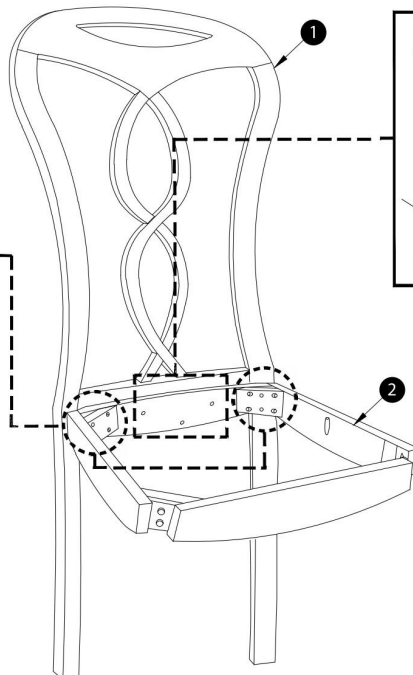
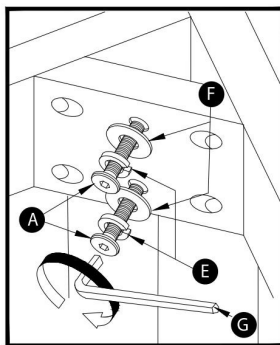
#### CHAIR PART LISTS

NO.	DESCRIPTION	SKETCH	QTY
1	CHAIR BACK		2 PCS
2	BOX SEAT		2 PCS
3	FRONT LEG - R		2 PCS
4	FRONT LEG - L		2 PCS
5	SEAT		2 PCS

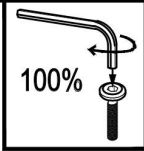
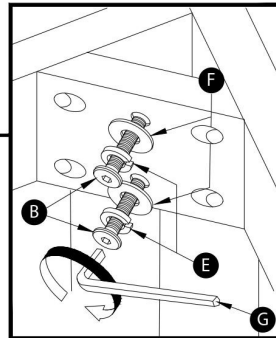
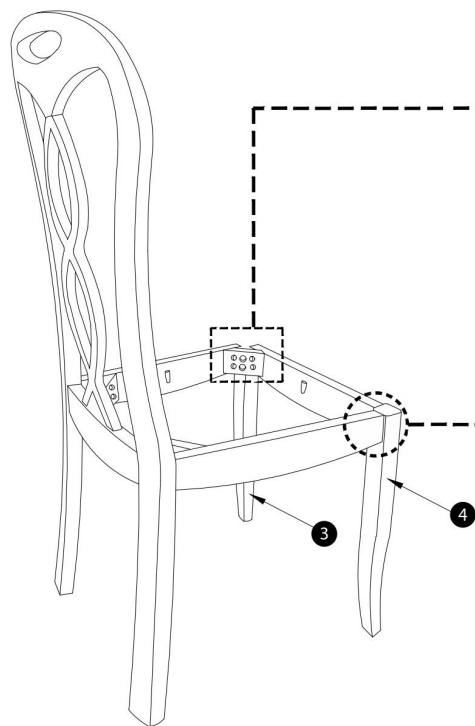
#### CHAIR HARDWARE LISTS

NO.	DESCRIPTION	SKETCH	QTY
A	JCBC BOLT M6 X 75 mm		8 PCS
B	JCBC BOLT M6 X 60 mm		8 PCS
C	JCBC BOLT M6 X 38 mm		6 PCS
D	CSK SCREW M4 X 32 mm		6 PCS
E	SPRING WASHER M6		22 PCS
F	FLAT WASHER M6		22 PCS
G	ALLEN KEY M4		1 PCS
SCREW DRIVER			NOT INCLUDED

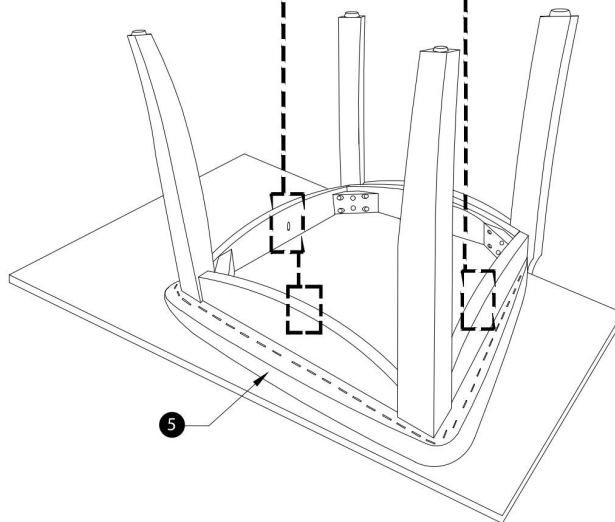
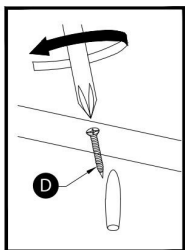
#### STEP 1



STEP 2



STEP 3



ASSEMBLY  
COMPLETE !

