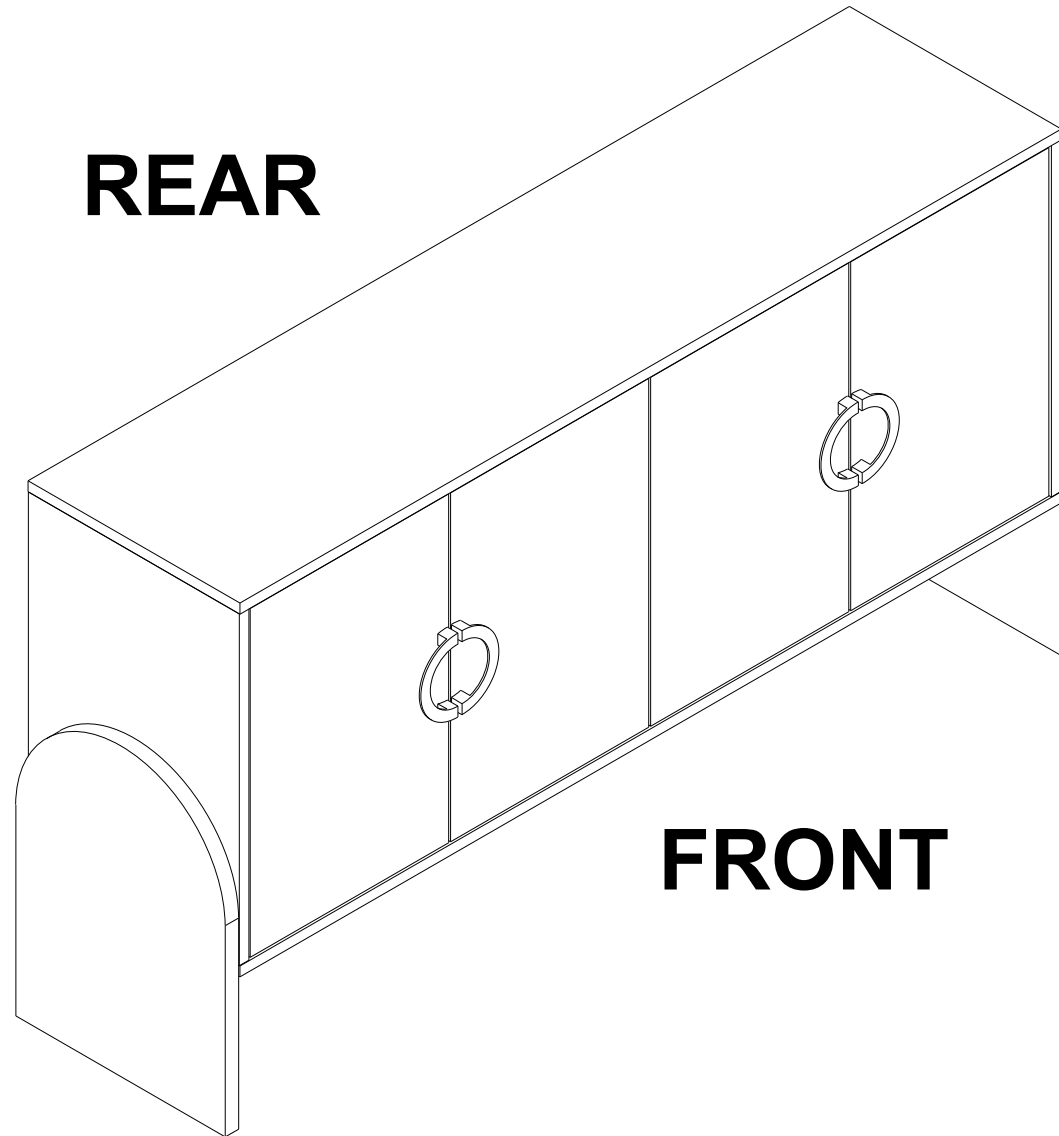


ASSEMBLY INSTRUCTION

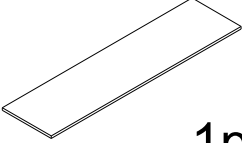
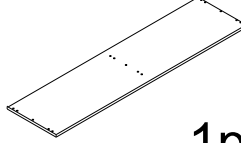
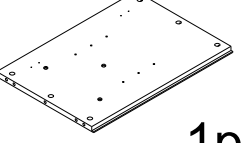
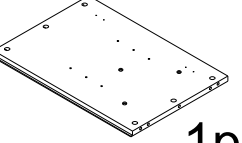
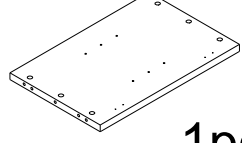
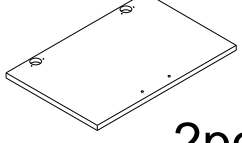
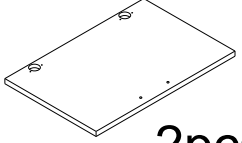
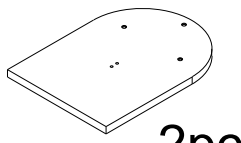
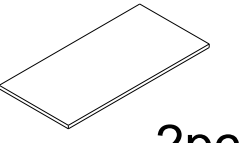
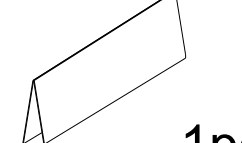
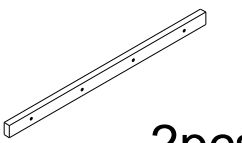
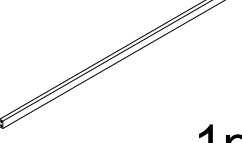
REAR



FRONT



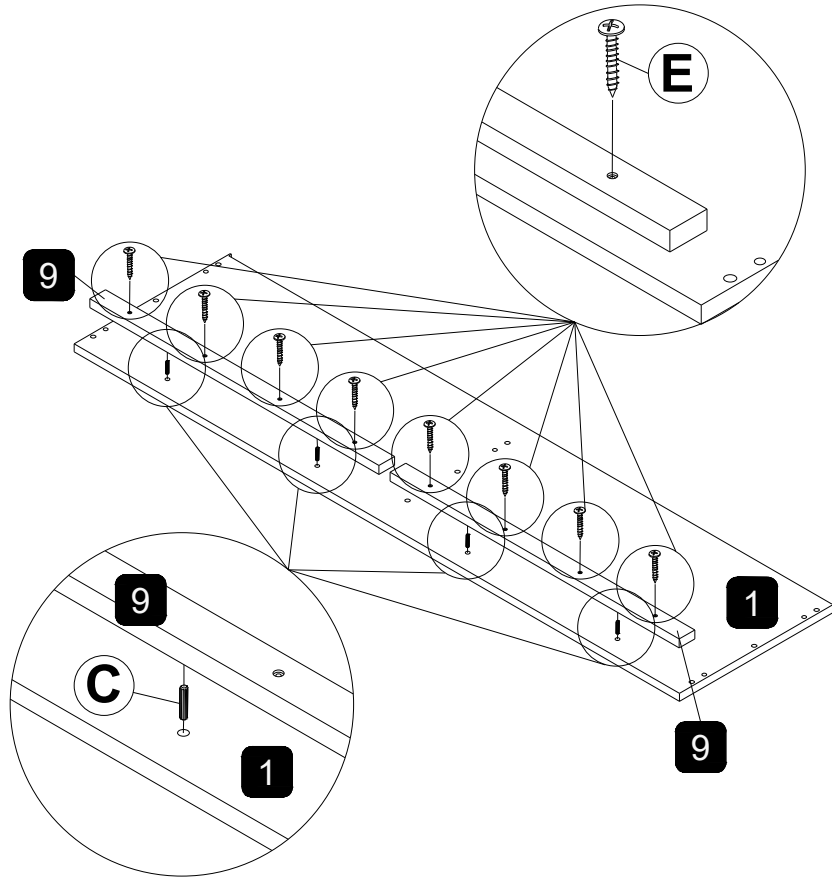
PART LIST

<p>1 Top Panel</p>  <p>1pc</p>	<p>2 Bottom Panel</p>  <p>1pc</p>	<p>3-L Side Panel (Left)</p>  <p>1pc</p>	<p>3-R Side Panel (Right)</p>  <p>1pc</p>	<p>4 Division Panel</p>  <p>1pc</p>	<p>5-A Door</p>  <p>2pcs</p>
<p>5-B Door</p>  <p>2pcs</p>	<p>6 Leg</p>  <p>2pcs</p>	<p>7 Shelf Panel</p>  <p>2pcs</p>	<p>8 Back Panel</p>  <p>1pc</p>	<p>9 Support Rail</p>  <p>2pcs</p>	<p>10 Bottom Rail</p>  <p>1pc</p>

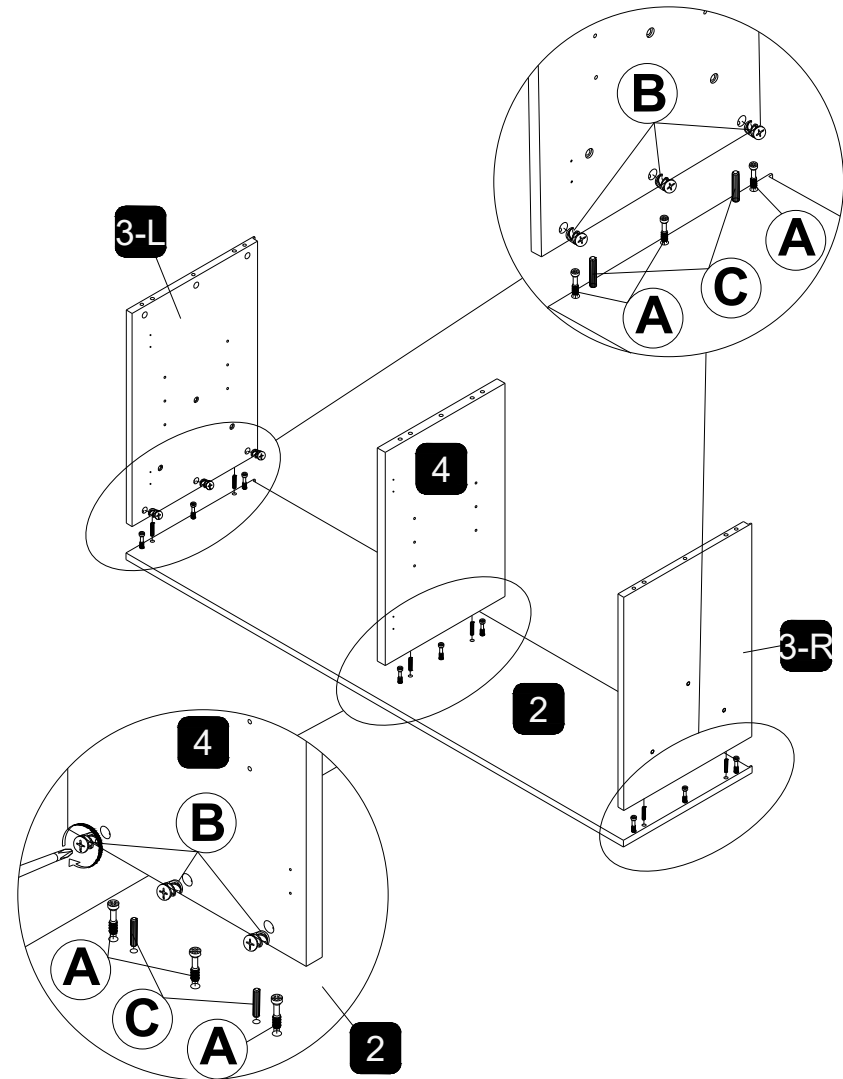
HARDWARE LIST


<p>A MINI FIX SPREADING BOLT 24MM</p>  <p>18pcs</p>	<p>B MINIFIX HOUSING Ø15*12MM</p>  <p>18pcs</p>	<p>C WOOD DOWEL M8*30MM</p>  <p>20pcs</p>	<p>D JCBC M6*30MM</p>  <p>6pcs</p>	<p>E SCREW M4*30MM</p>  <p>8pcs</p>	<p>F SCREW M3.5*16MM</p>  <p>48pcs</p>
<p>G PAN HEAD M3.5*16MM</p>  <p>20pcs</p>	<p>H SHELF SUPPORT</p>  <p>8pcs</p>	<p>I ALLEN KEY M4</p>  <p>1pc</p>	<p>J HINGES</p>  <p>4pcs</p>	<p>K HINGES</p>  <p>4pcs</p>	<p>L HANDLE</p>  <p>4sets</p>

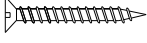
STEP 1



STEP 2





C X 4pcs


E X 8pcs

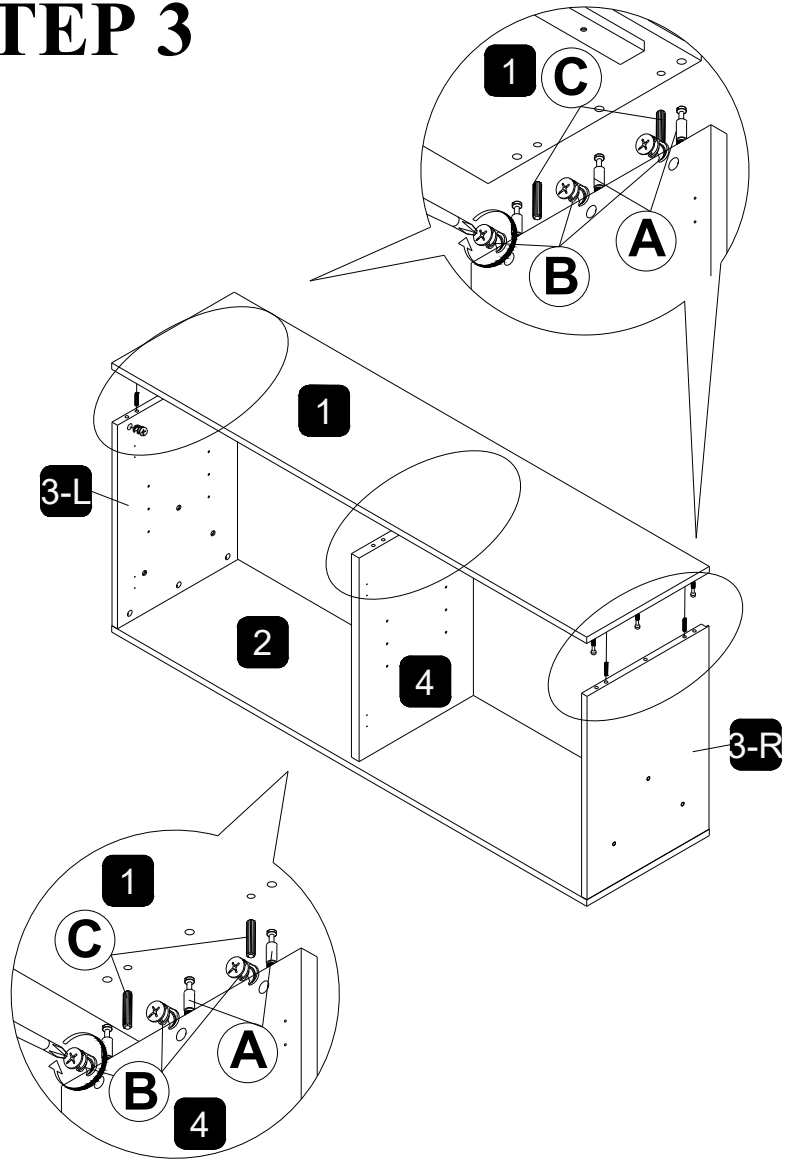

A X 9pcs


B X 9pcs

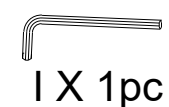
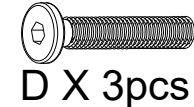
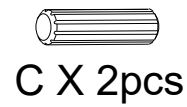
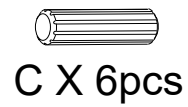
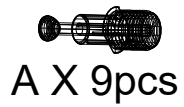
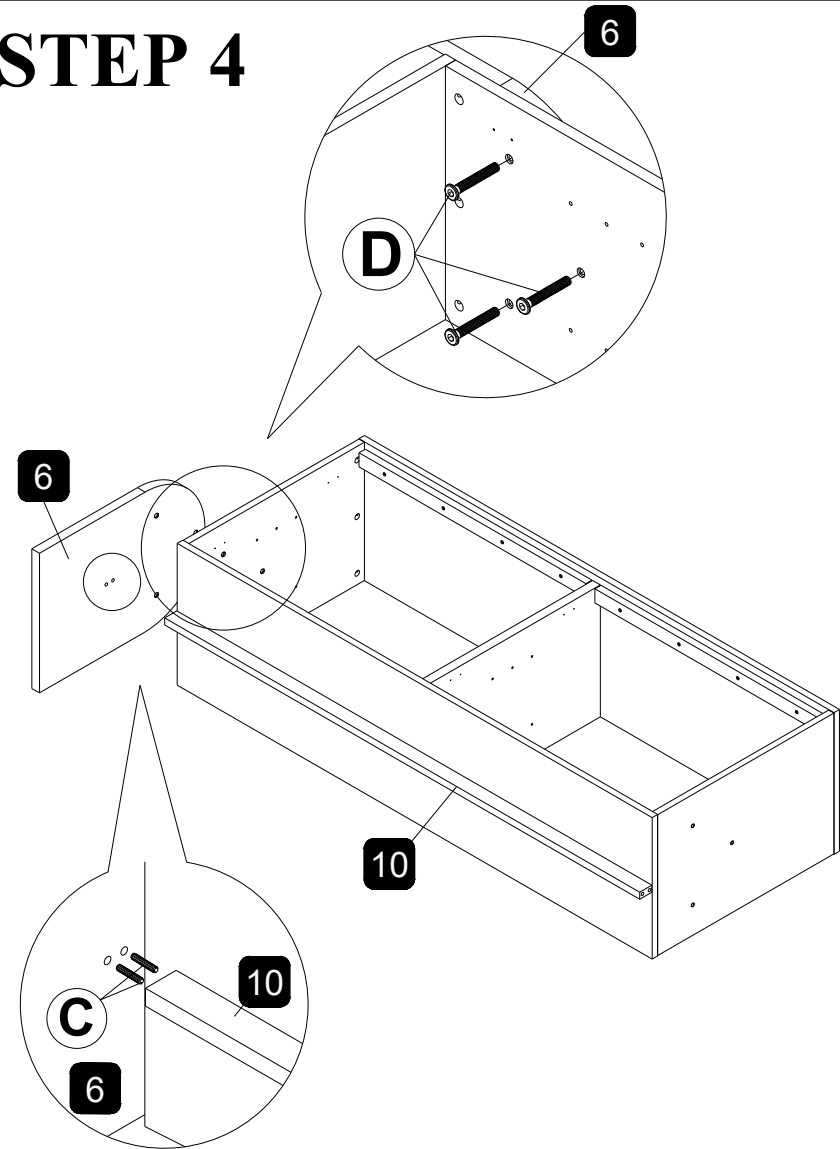

C X 6pcs



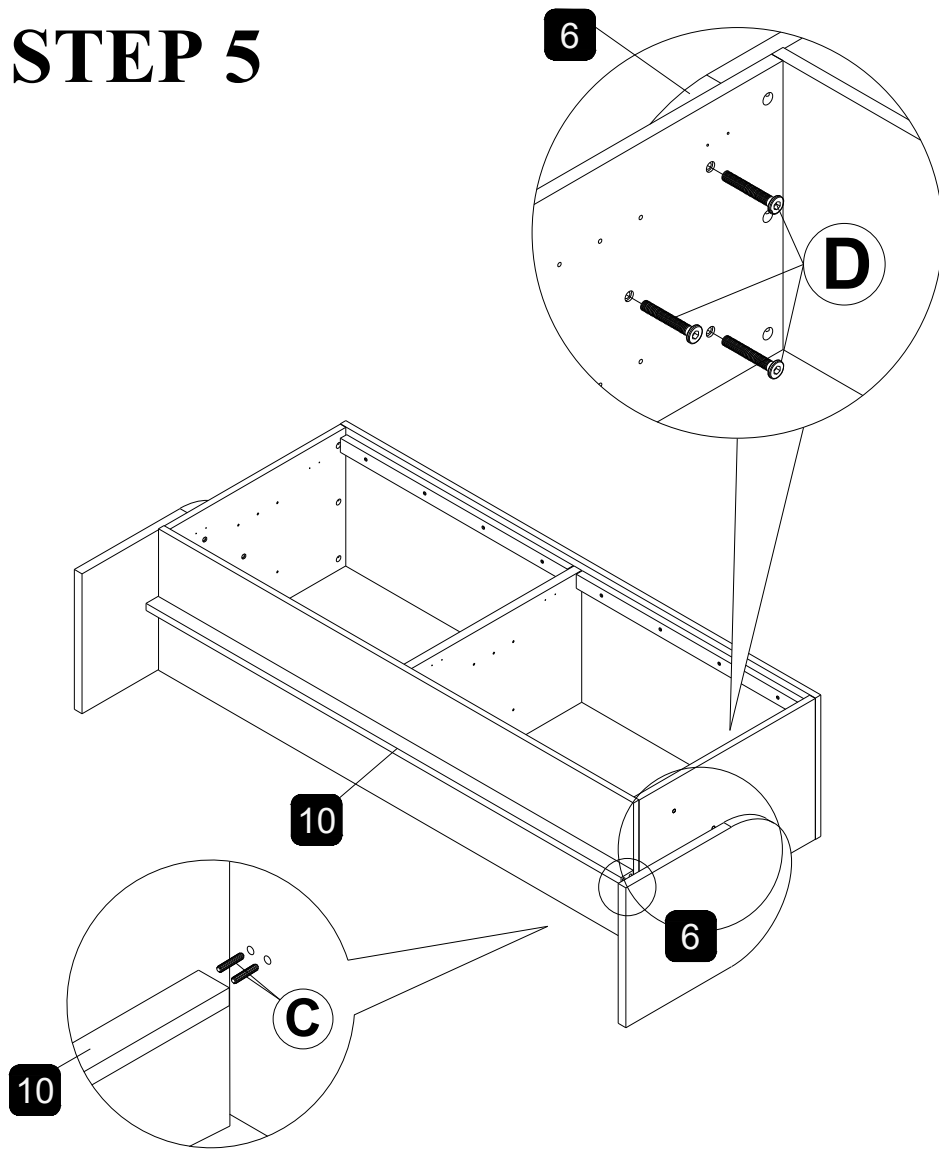
STEP 3



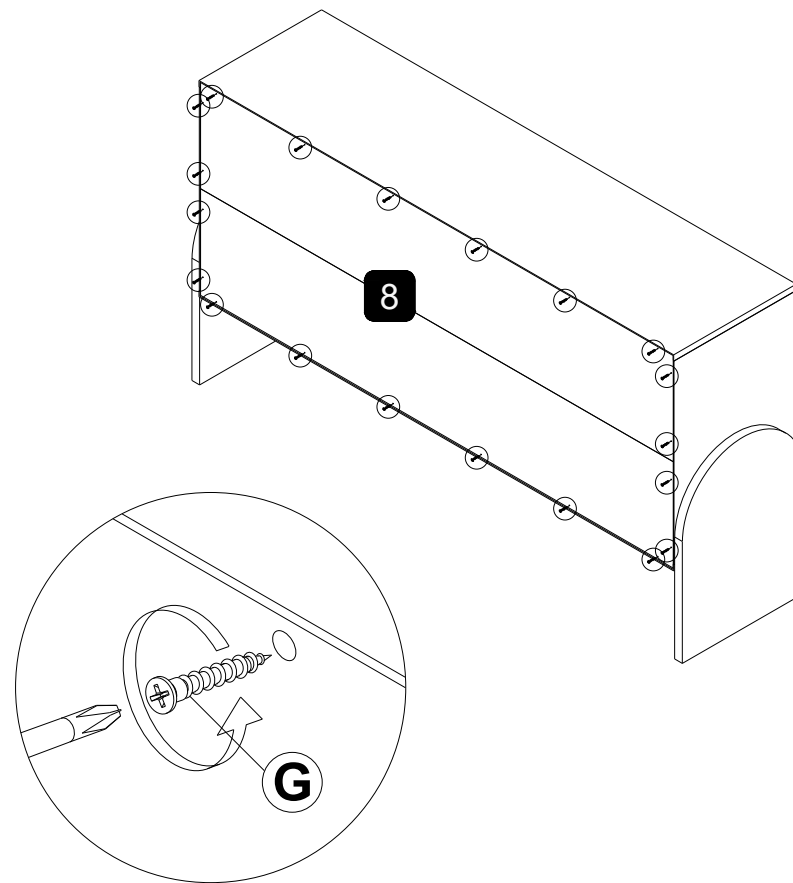
STEP 4




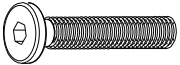
STEP 5





STEP 6




C X 2pcs

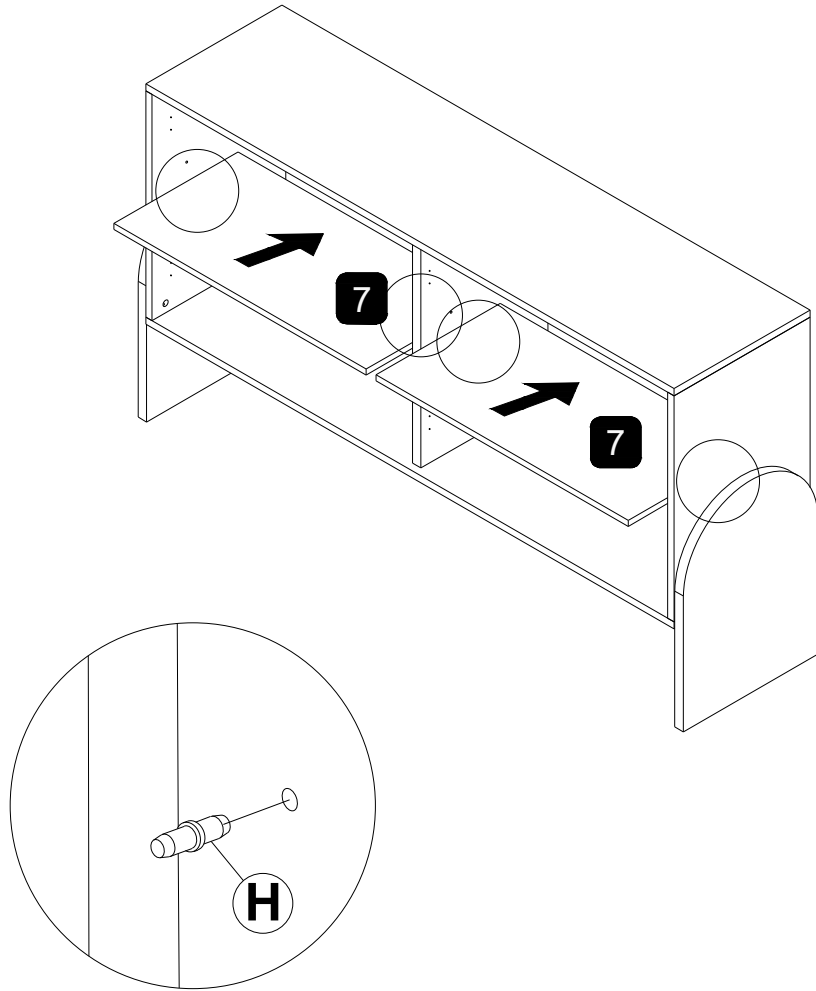

D X 3pcs


I X 1pc

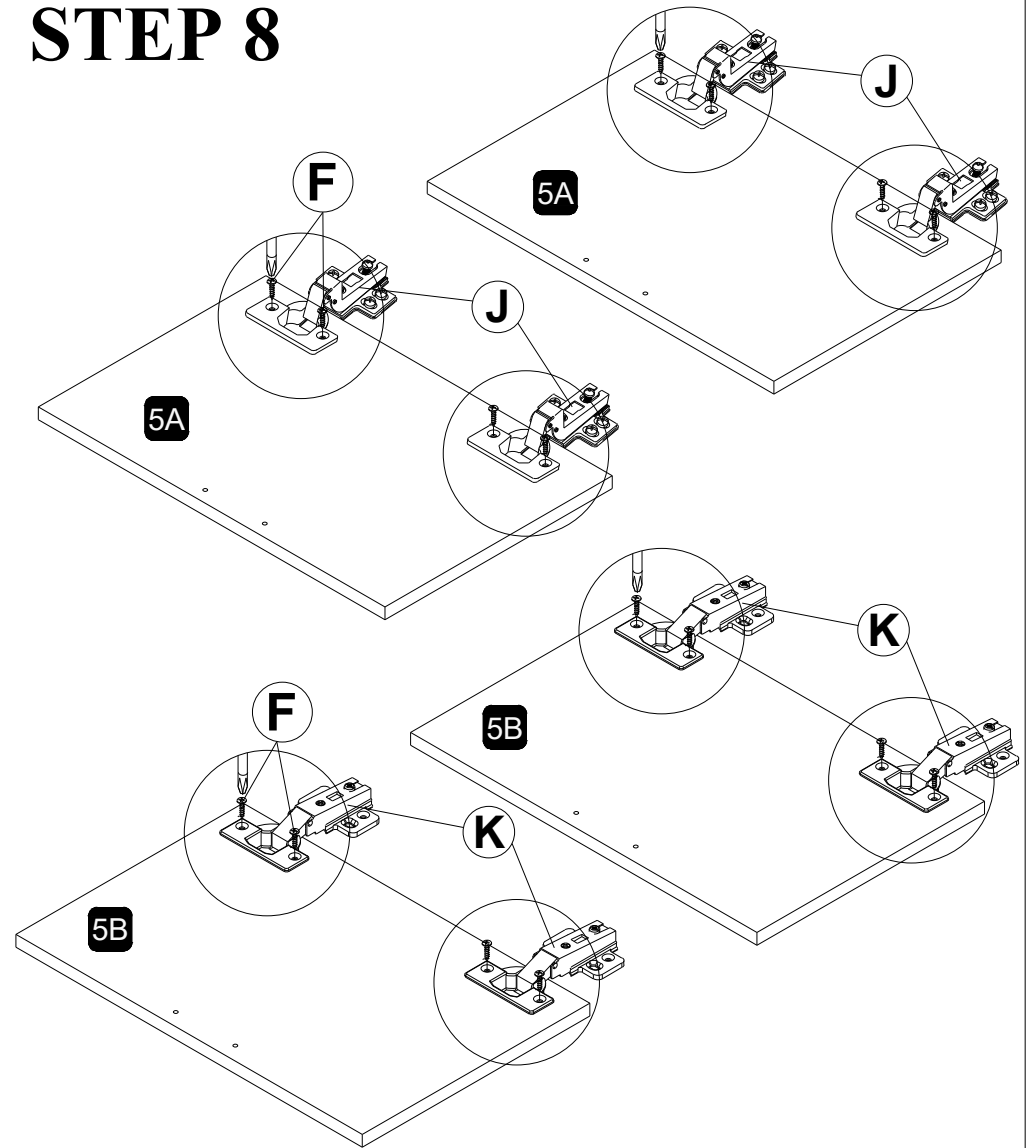

G X 20pcs




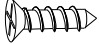
STEP 7

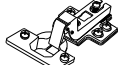


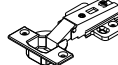
STEP 8

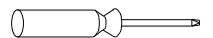



H X 8pcs

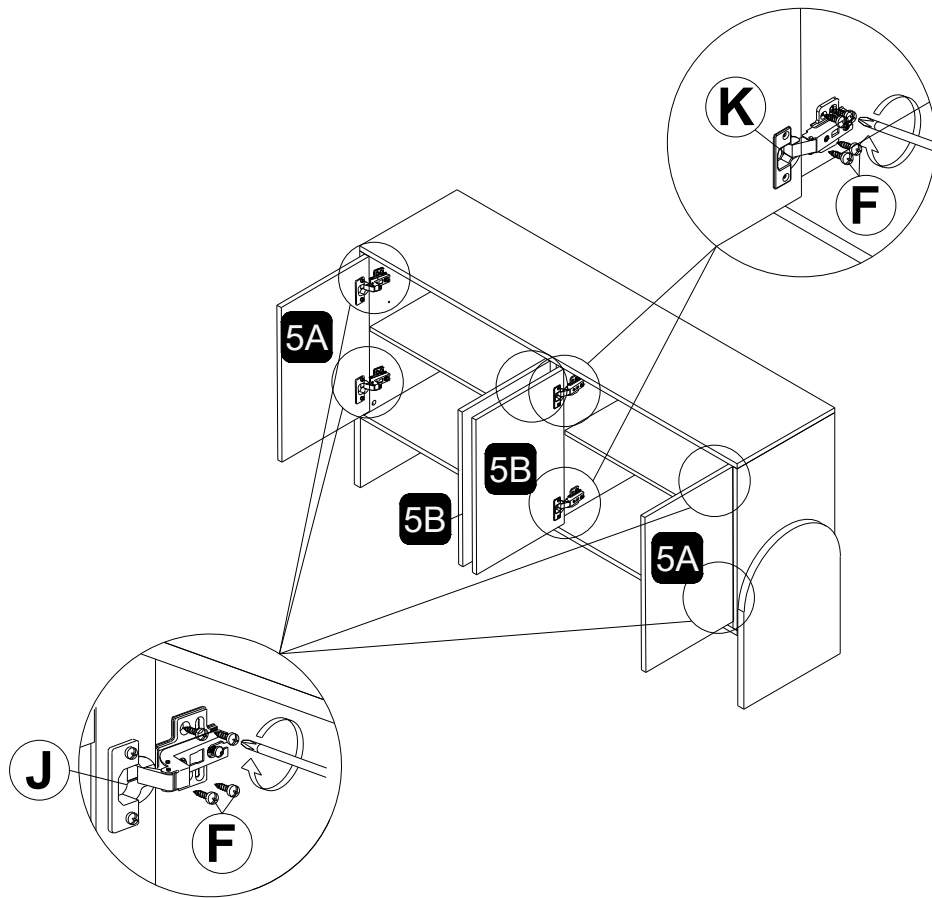

F X 16pcs


J X 4pcs

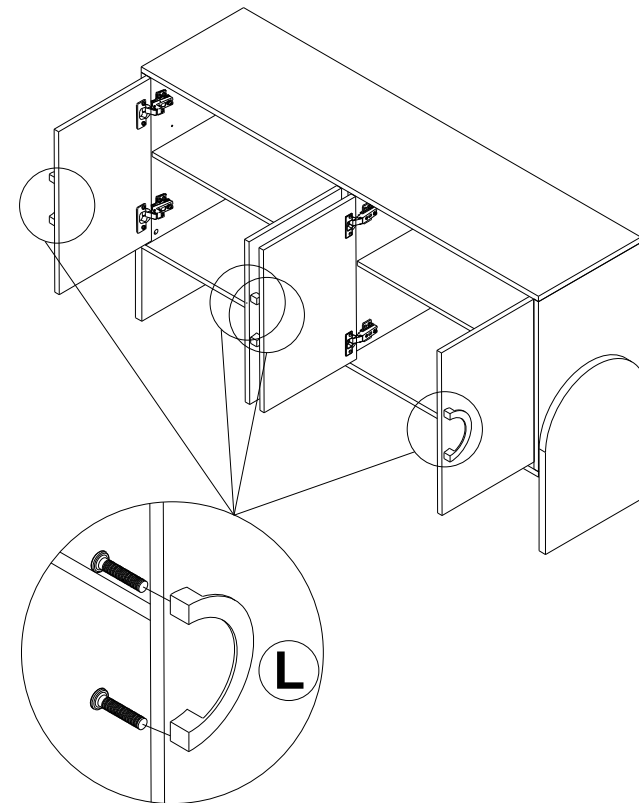

K X 4pcs



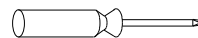
STEP 9



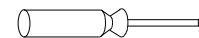
STEP 10



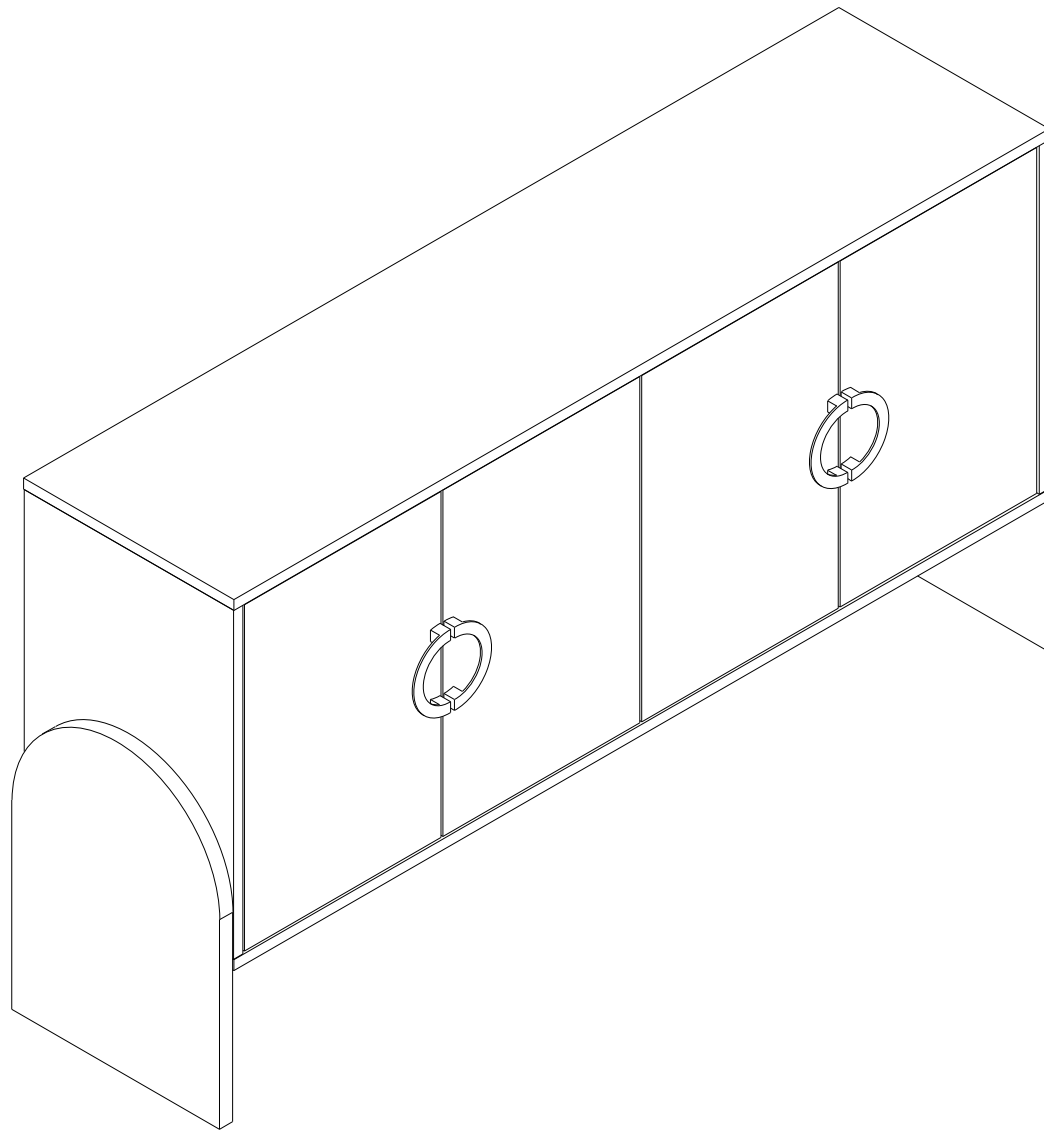

F X 32pcs




L X 4sets



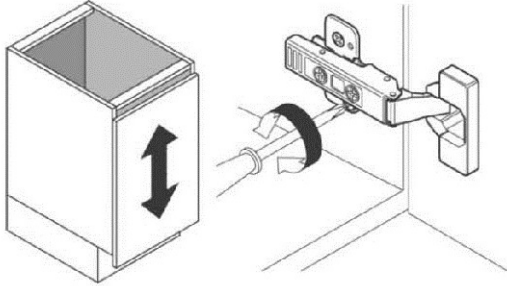
COMPLETED ASSEMBLY



ASSEMBLY INSTRUCTIONS

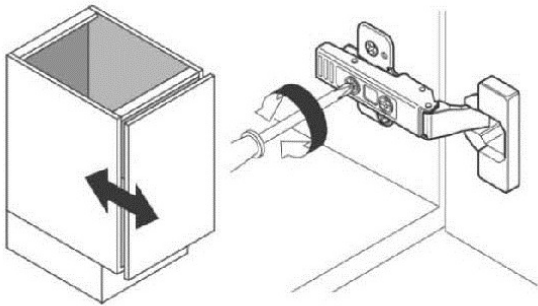
How to Concealed Hinges

Height Adjustment-helps you to adjust doors so they align at the top and bottom.



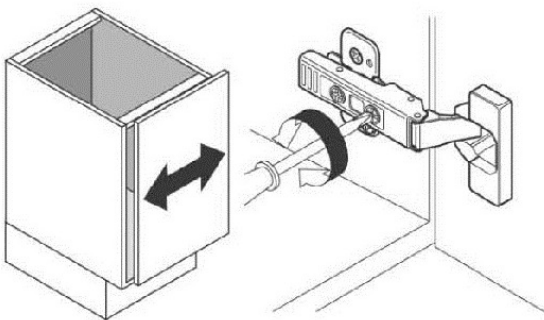
Note: Run your hand along the underside of the doors. You will easily feel which door are sitting lower than the others.

Depth Adjustment- Lets you bring a door into alignment with vertical surfaces such as drawers.



Note: Check to make sure you are not missing a door bumper. Missing door bumpers will cause your cabinet to look out of alignment.

Side Adjustment- adjusts gaps between doors and alleviates rubbing doors.



Note: Right Side Hinge: Clockwise moves door to RIGHT, CCW moves door to LEFT.
Left Side Hinge: Clockwise moves door to LEFT, CCW door to RIGHT.