

Assembly Instruction For 6-DRAWER DRESSER





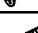










Caution: Please read instructions thoroughly before unpacking assembly parts. Sharp, exposed staple tips can cause injury, therefore, for your protection, please remove any exposed staples used in packing.

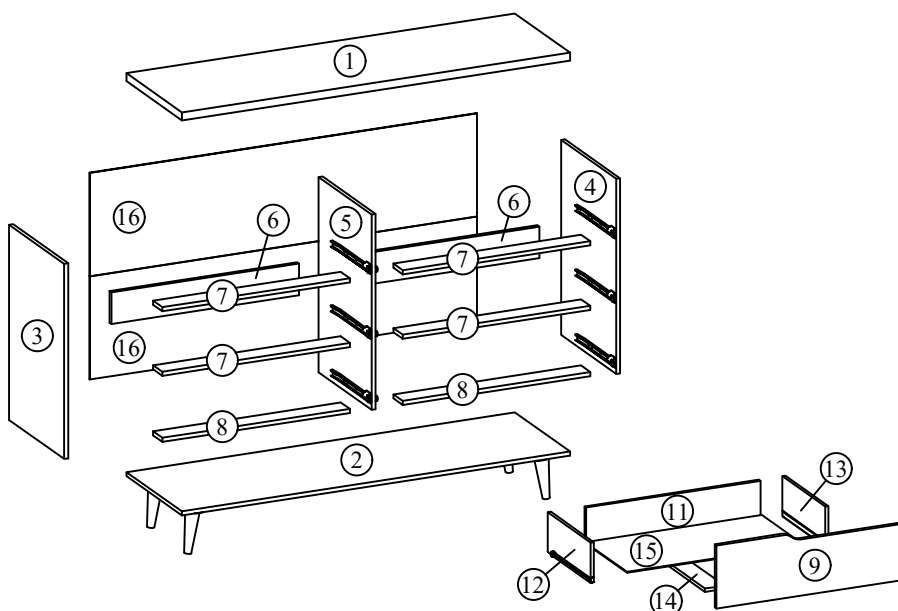
1. We recommend that you should assemble this product with the assistance of another person; this will make assembly easier, and will help to eliminate damage to the product or injury to persons during assembly.
2. Be sure to check all packing materials carefully for small parts that may have come loose inside the carton during shipment.
3. Please do not over tighten screws or bolts.
4. Please put all parts on a non-abrasive floor before assembly, and follow the assembly steps to assemble your newly purchased product correctly and efficiently.

PART LIST

Part	Part Desc.	Qty
1	Top	1
2	Bottom Panel	1
3	Side Panel Left w/Glide	1
4	Side Panel Right w/Glide	1
5	Center Panel w/Drawer Glide	1
6	Back Frame Center Support (L/R)	2
7	Front Drawer Frame Rail Top & Middle (L/R)	4
8	Front Drawer Frame Rail Bottom (L/R)	2
9	Drawer Head Panel Left	3
10	Drawer Head Panel Right	3
11	Drawer Back Panel	6
12	Drawer Side Panel Left with Glide	6
13	Drawer Side Panel Right with Glide	6
14	Drawer Support Rail	6
15	Drawer Bottom Panel 3mm	6
16	Back Panel	2

HARDWARE LIST

Part	Hardware Desc.	Qty
A	 CAM NUT 10mm	48
B	 CAM BOLT	42
C	 WOOD DOWEL M6 x 25mm	60
D	 DOUBLE END BOLT	3
E	 CSK SCREW M4 x 38 mm	30
F	 CSK SCREW M4 x 45 mm	6
G	 CSK SCREW M4 x 25 mm	16
H	 BACKPLY SCREW	36
I	 PVC NAIL 5/8"	4
J	 CSK SCREW M3.5 x 16mm	4
K	 GLUE	3
L	 PVC BLACK BRACKET	4
M	 RUBBER WOOD LEG 150mm	4
N	 METAL LEG 167mm	1
O	 ANTI TIP KIT	2



**** WARNING: THE USE OF POWER TOOLS TO ASSEMBLE THIS PRODUCT WILL INVALIDATE ANY CLAIM AND MAY DAMAGE THIS PRODUCT MAKING IT UNSAFE.**

** You will need a screwdriver and a small mallet (NOT provided)

Tools You Need:



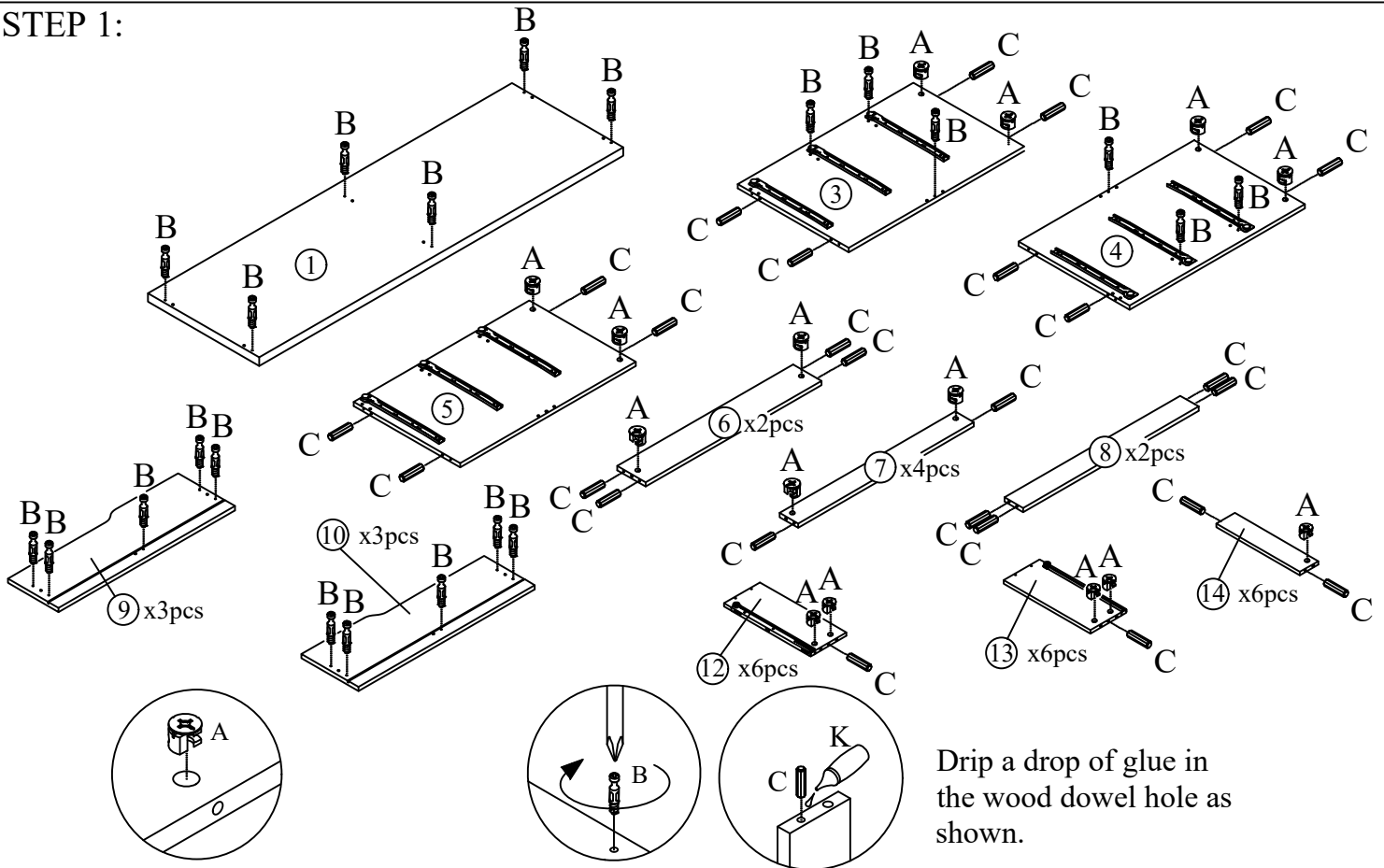
Philips Head Screwdriver



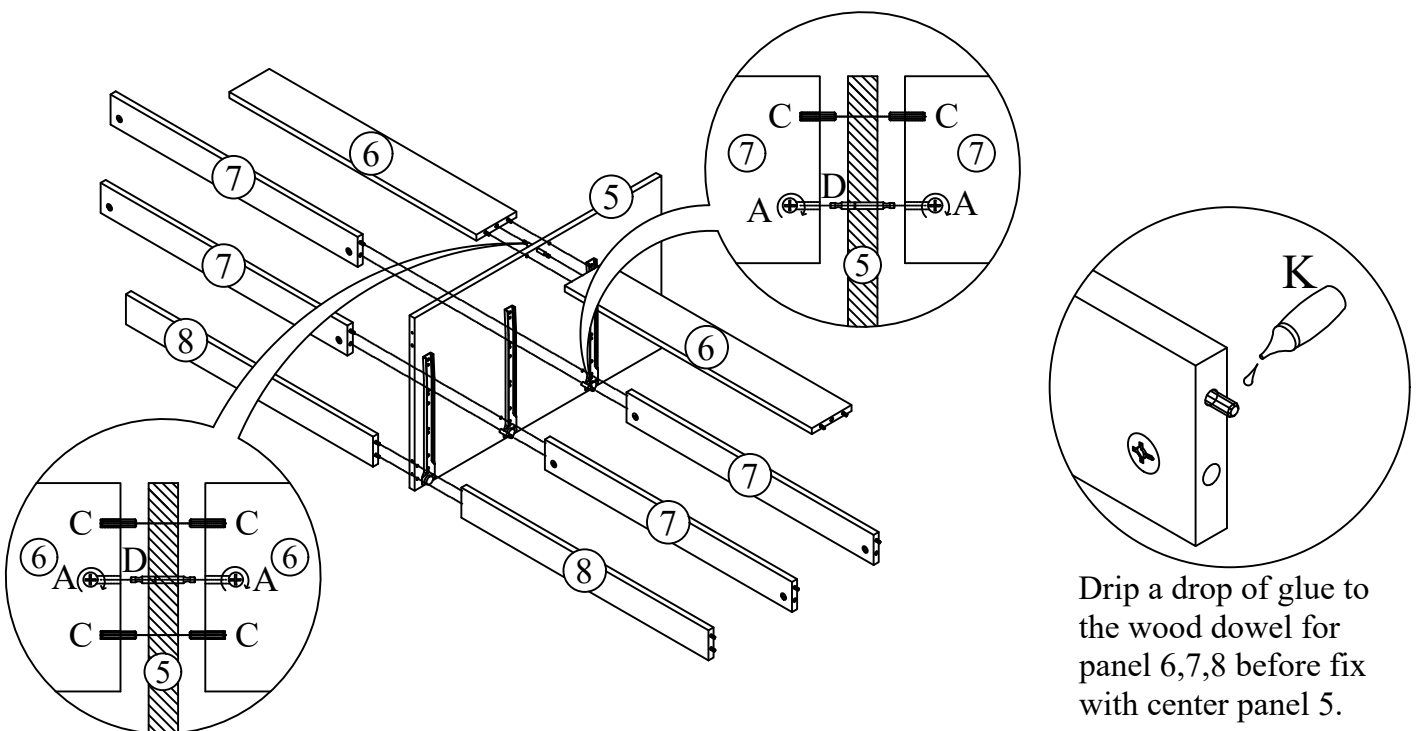
Soft Head Mallet

Assembly Instruction For 6-DRAWER DRESSER

STEP 1:

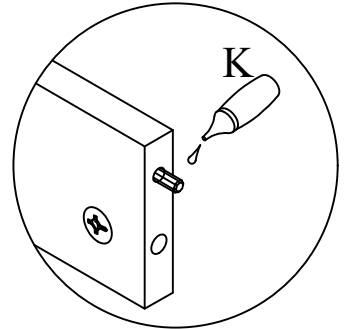
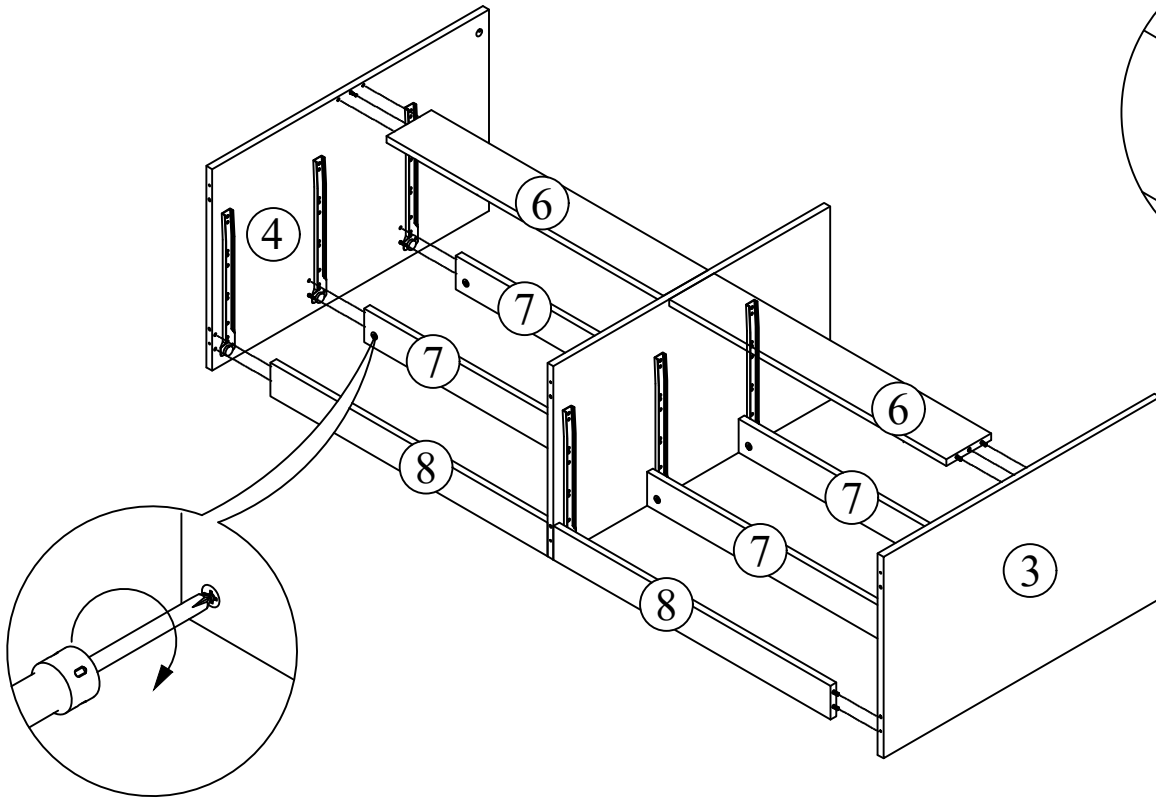


STEP 2:



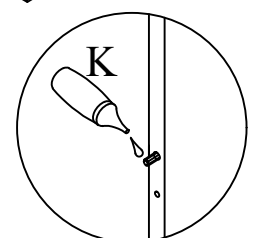
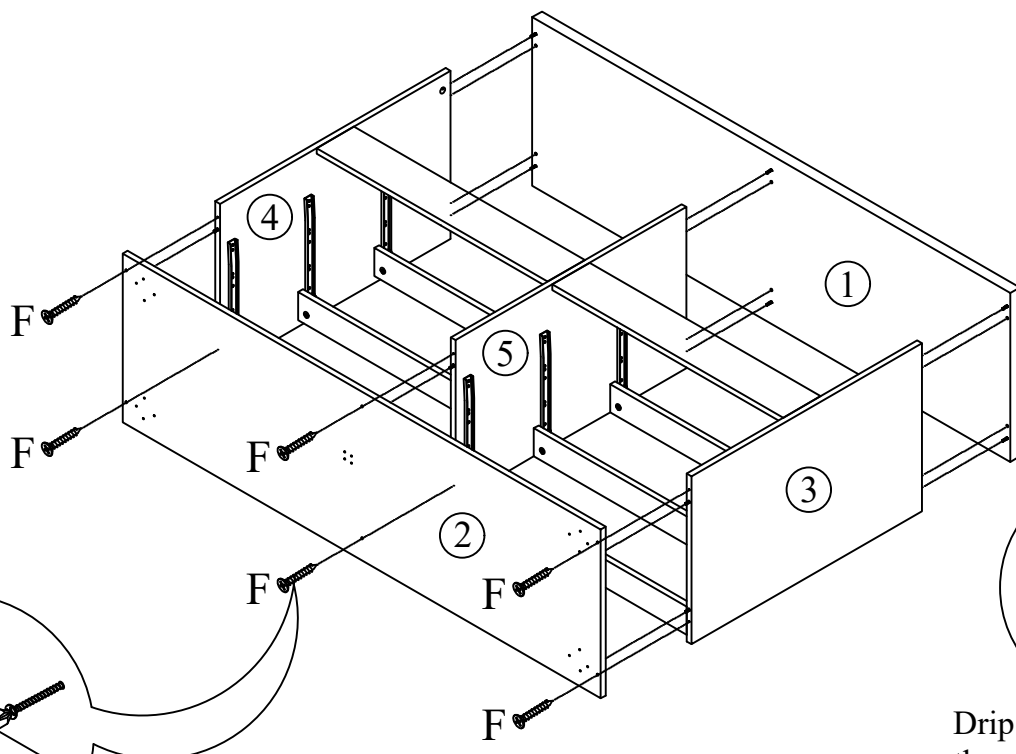
Assembly Instruction For 6-DRAWER DRESSER

STEP 3:



Drip a drop of glue to the wood dowel for panel 6,7,8 before fix with side panel 3,4.

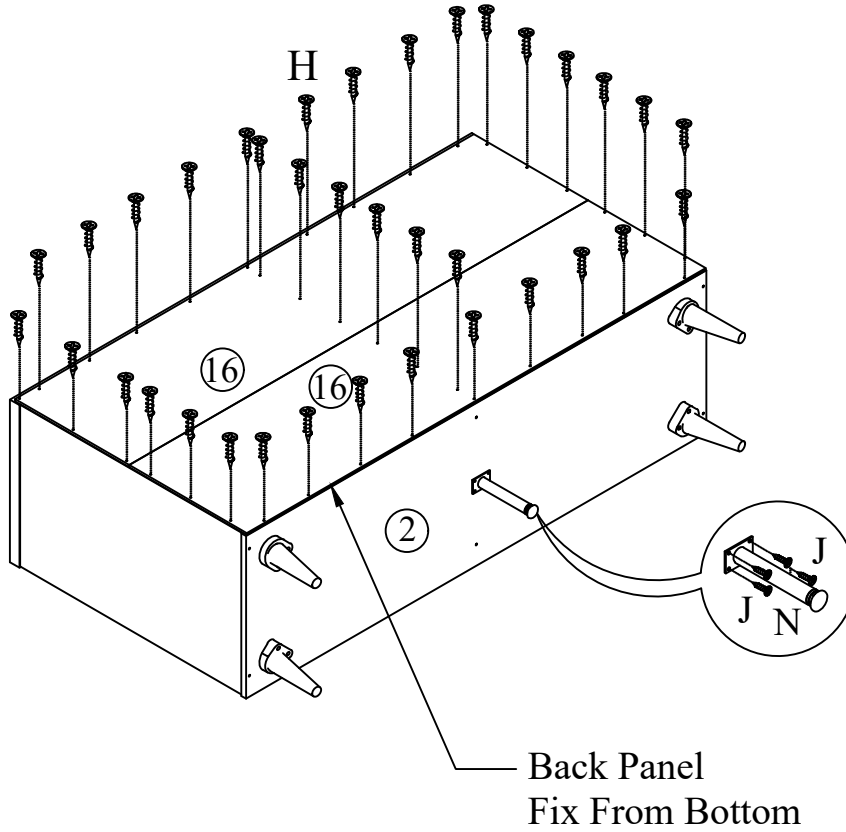
STEP 4:



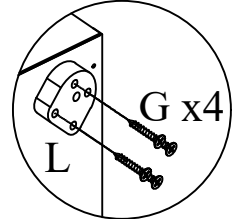
Drip a drop of glue to the wood dowel for panel 3,4,5 before fix with top panel 1 & bottom panel 2.

Assembly Instruction For 6-DRAWER DRESSER

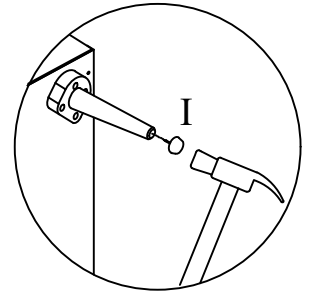
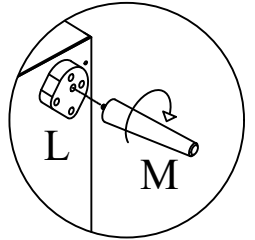
STEP 5:



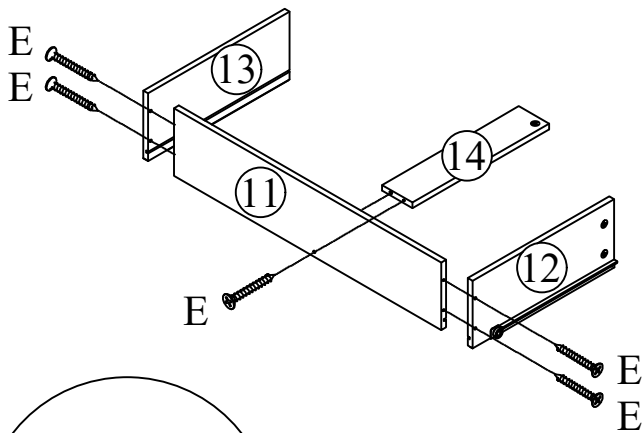
1st



2nd



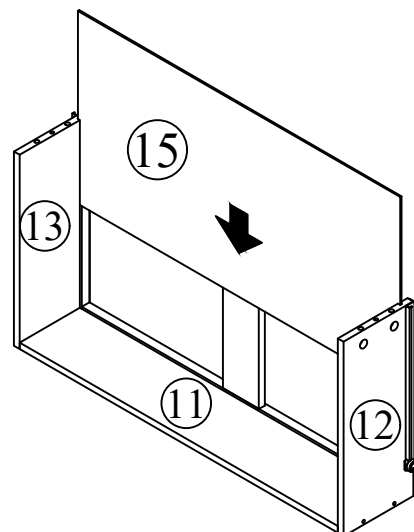
STEP 6:



Drip a drop of glue to the wood dowel for panel 14 before fix with drawer back panel 11.

x 6 sets

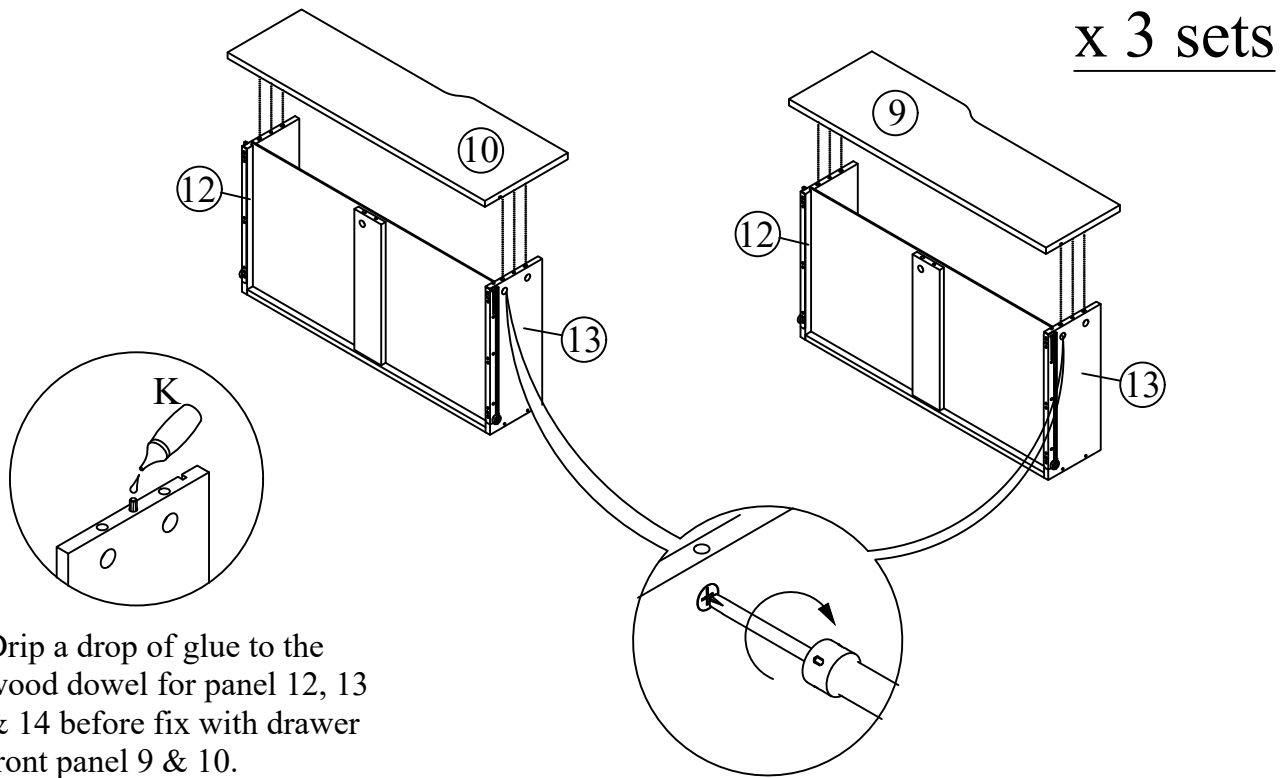
STEP 7:



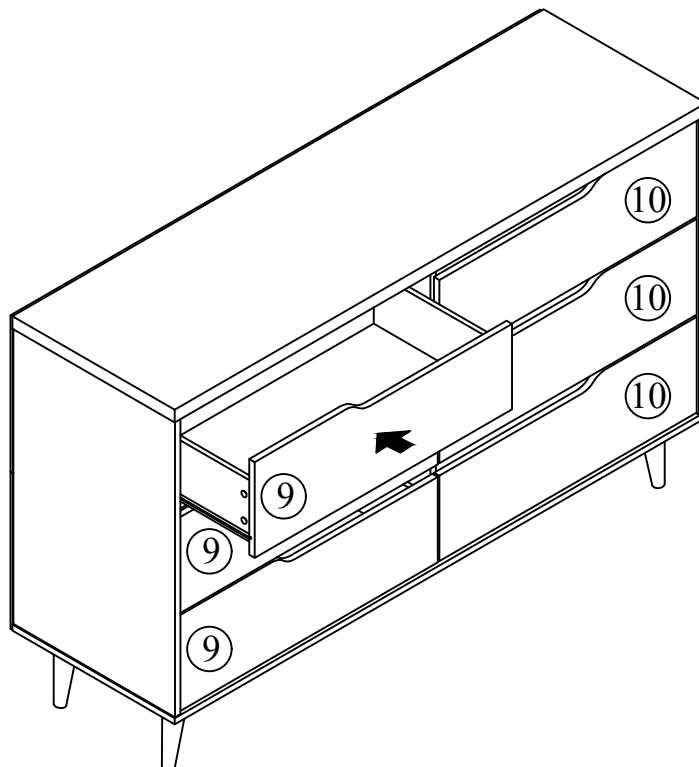
Assembly Instruction For 6-DRAWER DRESSER

STEP 8:

x 3 sets



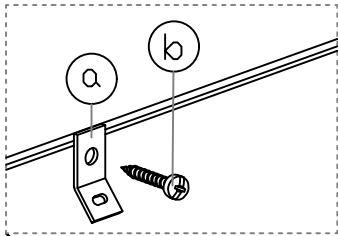
STEP 9:



**** Important Notice:** Leave the dresser for 3 minutes before put anything inside.

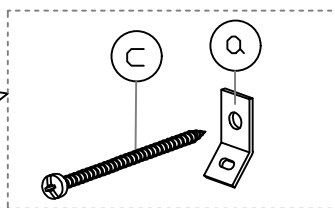
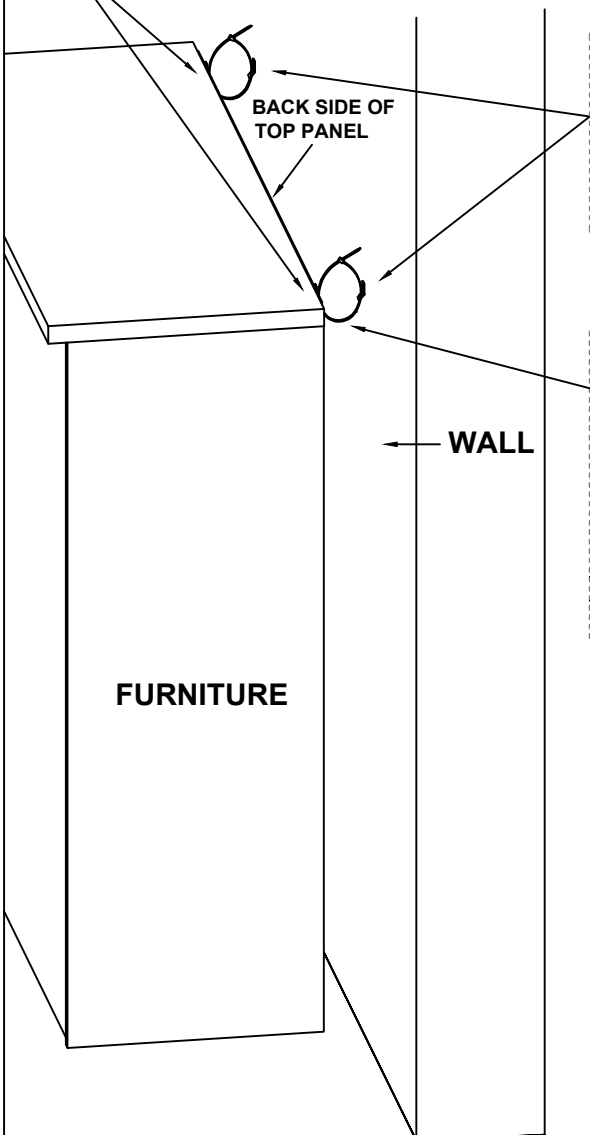
Assembly Instruction For 6-DRAWER DRESSER

FITTING OF ANTI-TIP SAFETY STRAP



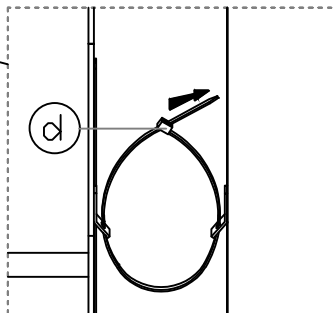
STEP 1:

- Attach the mounting bracket (a) to the furniture in the solid part below the top panel a few inches away from the side of the unit.
- Screw (b) through the smallest hole of (a).



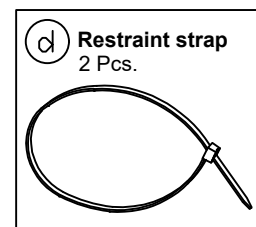
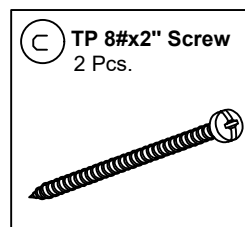
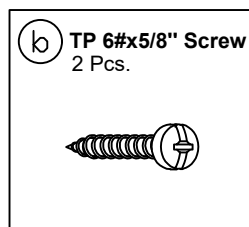
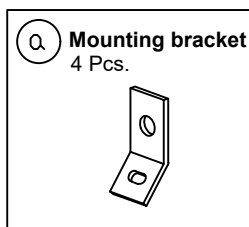
STEP 2:

- Locate a stud in the wall behind the unit, does not have to be centered.
- Place the other mounting bracket (a) on the wall stud 2 inches below the mounting bracket secured to the back of your unit.
- Attach to the wall stud using (c) through the smaller hole of (a).



STEP 3:

- Repeat the same step a few inches away from the other side of the unit.
- Place the furniture into position so both mounting brackets are vertically in line.
- Lace the end of the restraint strap through the larger holes in each mounting bracket.
- Secure the straps and lock into place.



Assembly Instruction For **6-DRAWER DRESSER**

COMPLETE

