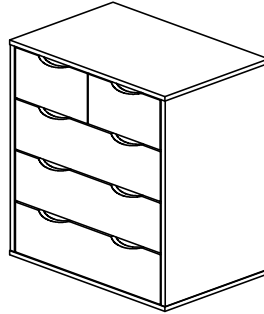


TIMBER ART DESIGN UK

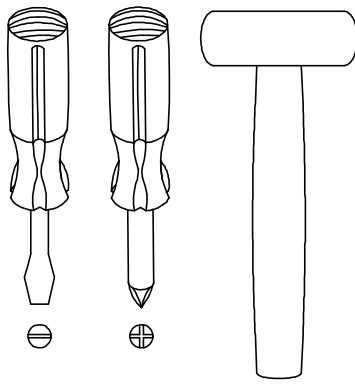
ASSEMBLY INSTRUCTIONS



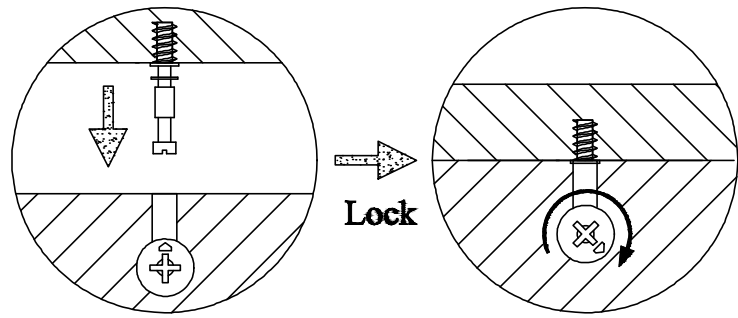
**IMPORTANT
PLEASE READ BEFORE YOU CONTINUE FURTHER**

WARNING AND INSTRUCTIONS

- PLEASE KEEP THE ORIGINAL PACKAGING UNTIL THE ITEM IS FULLY ASSEMBLED AND IN PLACE. IN THE UNLIKELY EVENT THAT YOU NEED TO RETURN YOUR PRODUCT, IT MUST BE RETURNED IN ITS ORIGINAL PACKAGING TO AVOID FURTHER DAMAGE. FAILURE TO COMPLY TO THESE PROCEDURES, NO RETURN'S WILL BE ACCEPTED.
- IMPORTANT: RETAIN THESE INSTRUCTIONS FOR FUTURE REFERENCE.
- DUE TO THE SIZE OF THIS PRODUCT WE RECOMMEND THAT IT IS ASSEMBLED IN THE ROOM INTENDED FOR USE.
- WHEN YOU ARE READY TO START, MAKE SURE THAT YOU HAVE THE RIGHT TOOLS, PLENTY OF SPACE AND A CLEAN, DRY AREA FOR ASSEMBLY.
- UNWRAP ALL PACKAGING MATERIALS AND PLACE THE COMPONENTS ON TOP OF THE CARTON BOX OR ON A CLEAN FLOOR TO PREVENT IT FROM SCRATCHING.
- CHECK THE PACK AND MAKE SURE YOU HAVE ALL THE PARTS LISTED.
- ENSURE THAT THIS PRODUCT IS FULLY ASSEMBLED AS ILLUSTRATED BEFORE USE.
- TOOLS NOT INCLUDED.
- CHECK ALL SCREWS OR BOLTS ARE TIGHTENED AND INSPECT REGULARLY.
- THIS PRODUCT SHOULD ONLY BE USED ON FIRM LEVEL GROUND.
- KEEP SMALL PART OUT OF REACH OF CHILDREN.
- MAKE SURE THE LEGS REMAIN IN CONTACT WITH THE GROUND.
- DO NOT USE POWER TOOLS TO CONSTRUCT THIS PRODUCT.
- DO NOT TIGHTENED SCREWS UNTIL FULLY ASSEMBLED.
- DO NOT OVER TIGHTENED SCREWS OR BOLTS.
- DO NOT USE THIS PRODUCT IF PARTS ARE MISSING, DAMAGE OR WORN.
- DO NOT SIT AND STAND ON THE PRODUCT.
- TO CLEAN WIPE WITH A SPONGE AND WARM SOAPY WATER. DO NOT USE SOLVENT BASED CLEANERS OR DETERGENTS AS THEY CAN BLEACH OR DAMAGE THE PRODUCT.
- NEVER USE SCOURERS, ABRASIVES OR CHEMICAL CLEANERS.

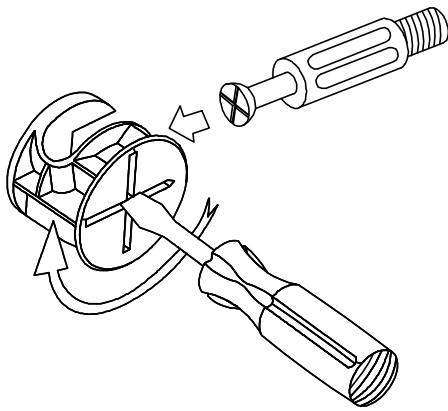


(Tools not provided)



Use a flat blade screwdriver to tighten the cam nuts. A quarter turn clockwise is all that is needed.

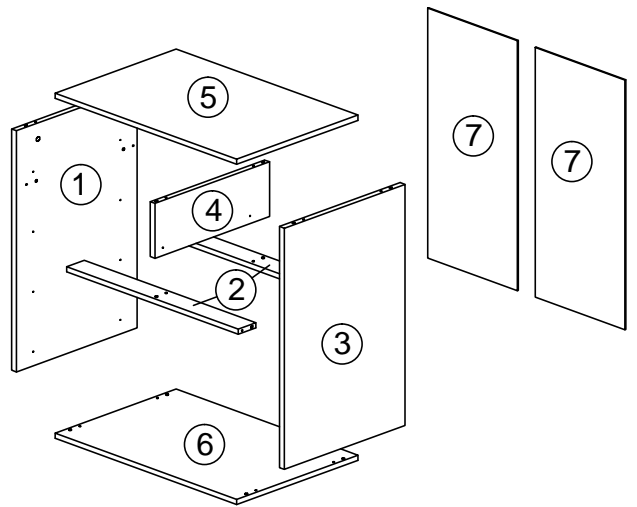
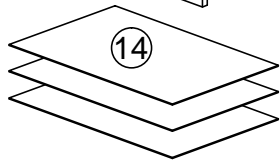
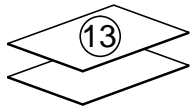
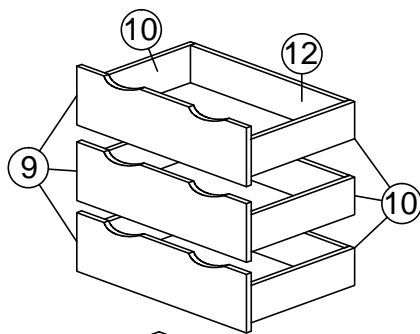
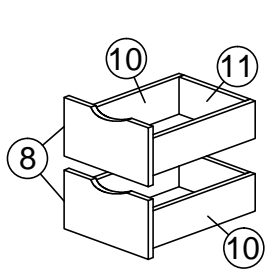
This is how a cam nut works.....



The head of the cam bolt goes into the open mouth of the cam nut. You then turn the cam nut so it tightens over the bolt.

TWO PERSONS REQUIRED TO ASSEMBLE THIS PRODUCT

1. Please check that you have all the parts listed before you start assembling. If you do find that something is missing, do not continue assembly. Please contact your supplier immediately.
2. Lay out all of the components on a soft surface as if you were preparing to do a jigsaw puzzle.
3. Separate and identify each component from the hardware pack and rest each one in its proper location before fastening.



PARTS LIST

NO.	PARTS					QTY
1	748	X	398	X	15	1 PCS
2	566	X	58	X	15	2 PCS
3	748	X	398	X	15	1 PCS
4	378	X	170	X	15	1 PCS
5	600	X	400	X	15	1 PCS
6	600	X	400	X	15	1 PCS
7	775	X	296	X	2.5	3 PCS
8	278	X	182	X	15	2 PCS
9	560	X	182	X	15	3 PCS
10	350	X	116	X	15	10 PCS
11	219	X	116	X	15	4 PCS
12	510	X	116	X	15	6 PCS
13	247	X	350	X	2.5	2 PCS
14	539	X	350	X	2.5	3 PCS

HARDWARE LIST

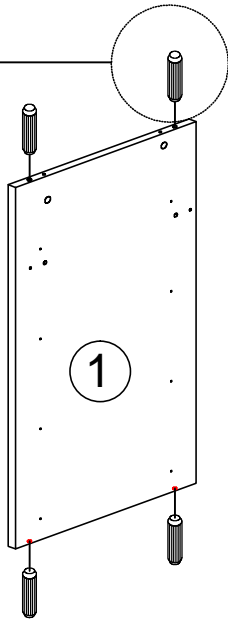
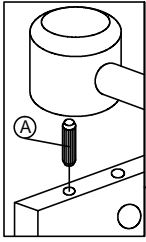
NO.	DESCRIPTION		QTY
A		CAM NUT	10
B		CAM BOLT	10
C		CAM CAP	10
D		WOOD DOWEL M8X25	16
E		CB SCREW M3.5X16MM	62
F		CB SCREW M4X38MM	42
G		NAIL 5/8	66
H		L KEY	1
I		CSK CAP WOOD M6 X 50 MM	6
J		PVC NAIL WITH PIN 5/8	4
K		SAFETY STRAP	2
L		PLASTIC WALL ANCHOR	2
M		WASHER	4
N		DRAWER SLIDE 14"	10
O		DRAWER SLIDE 14"	10

THE USE OF POWER TOOLS TO ASSEMBLE THIS PRODUCT WILL INVALIDATE ANY CLAIM AND MAY DAMAGE THIS PRODUCT MAKING IT UNSAFE.

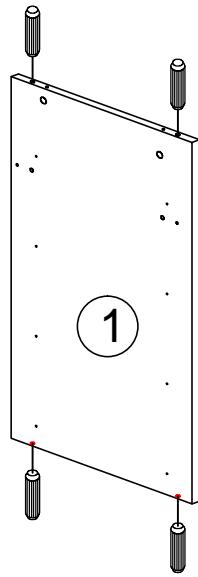


STEP 1

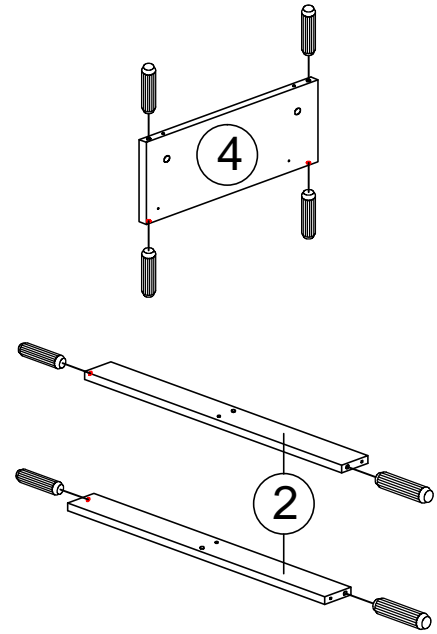
D		WOOD DOWEL M8X25	16
---	---	------------------	----



R VIEW

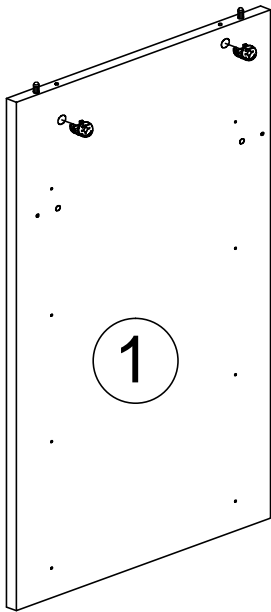


L VIEW

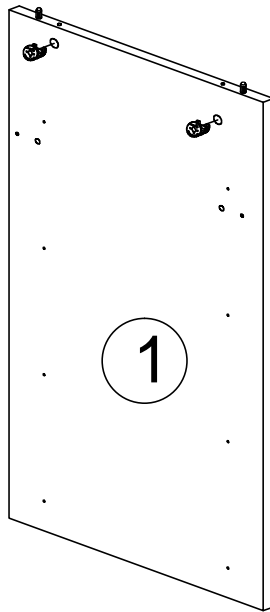


STEP 2

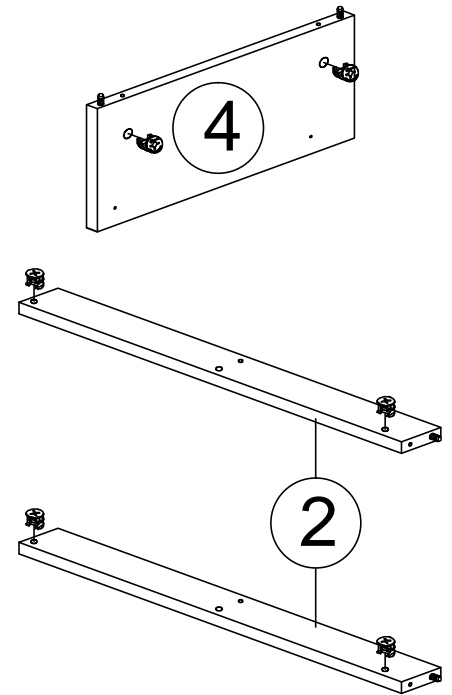
A		CAM NUT	10
---	---	---------	----



R VIEW




L VIEW

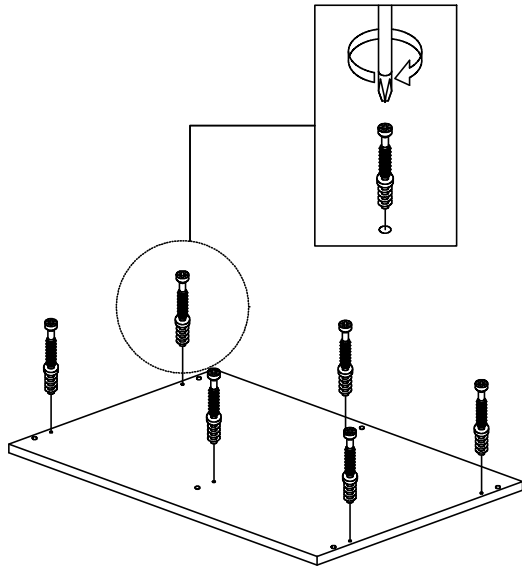


THE USE OF POWER TOOLS TO ASSEMBLE THIS PRODUCT WILL INVALIDATE ANY CLAIM AND MAY DAMAGE THIS PRODUCT MAKING IT UNSAFE.

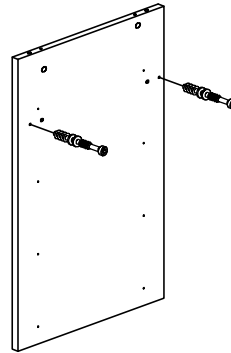


STEP 3

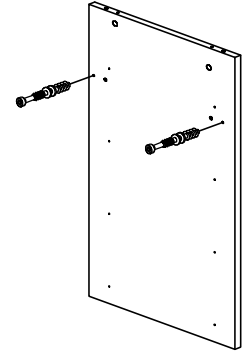
B	 CAM BOLT	10
---	---	----



5 BOTTOM VIEW

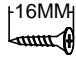
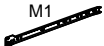


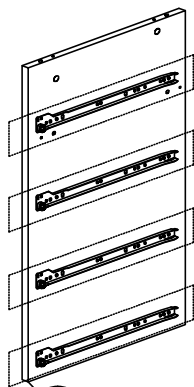
1 R VIEW



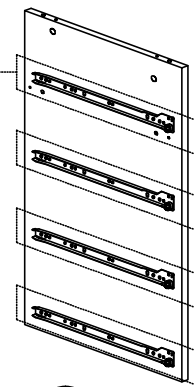
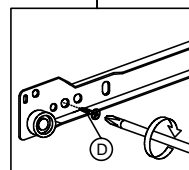
3 L VIEW

STEP 4

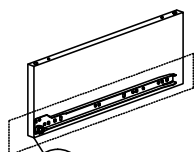
E	 CB SCREW M3.5X16MM	30
N	 DRAWER SLIDE 14"	10



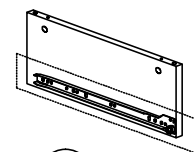
1 R VIEW



3 L VIEW



4 R VIEW



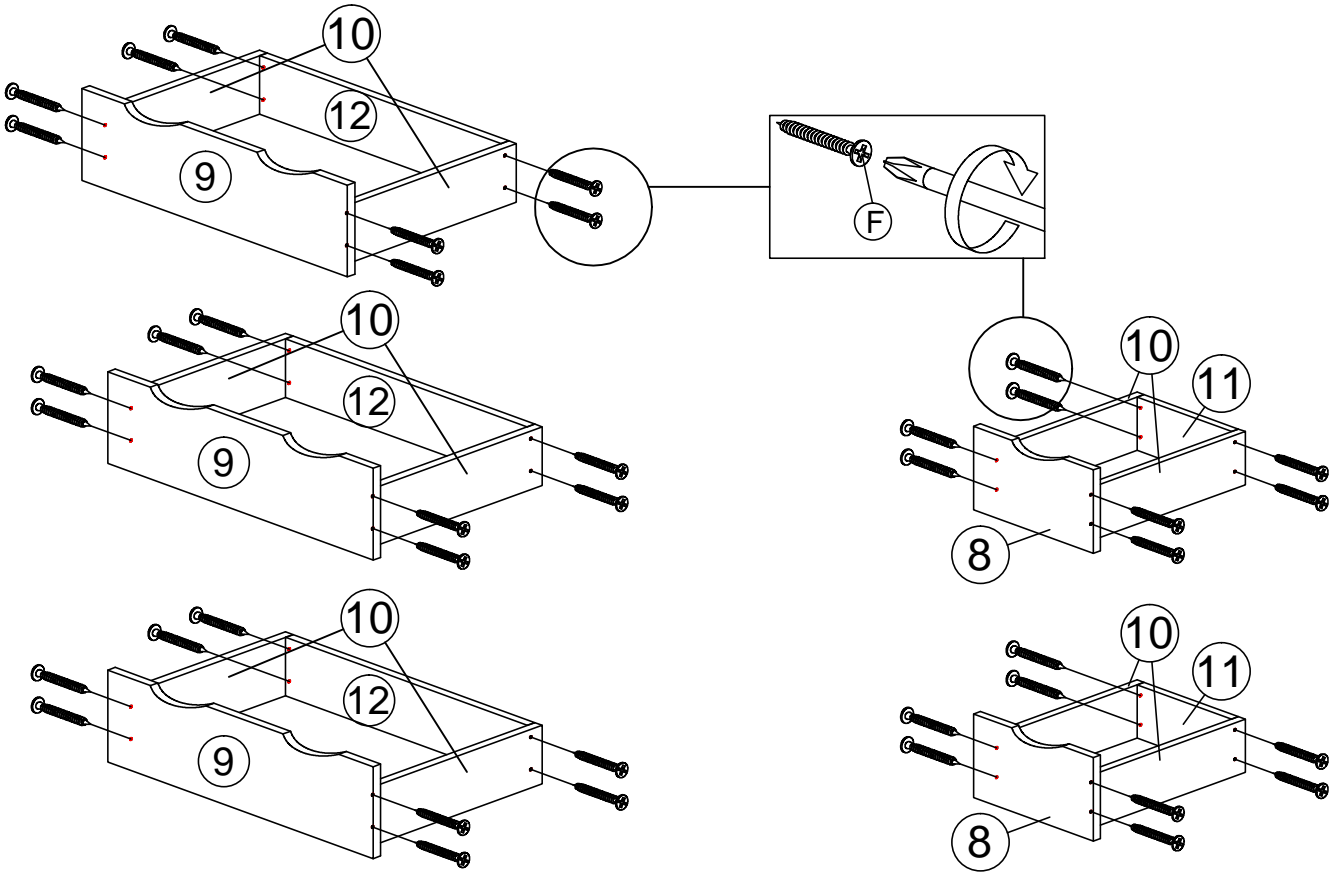
4 L VIEW

THE USE OF POWER TOOLS TO ASSEMBLE THIS PRODUCT WILL INVALIDATE ANY CLAIM AND MAY DAMAGE THIS PRODUCT MAKING IT UNSAFE.



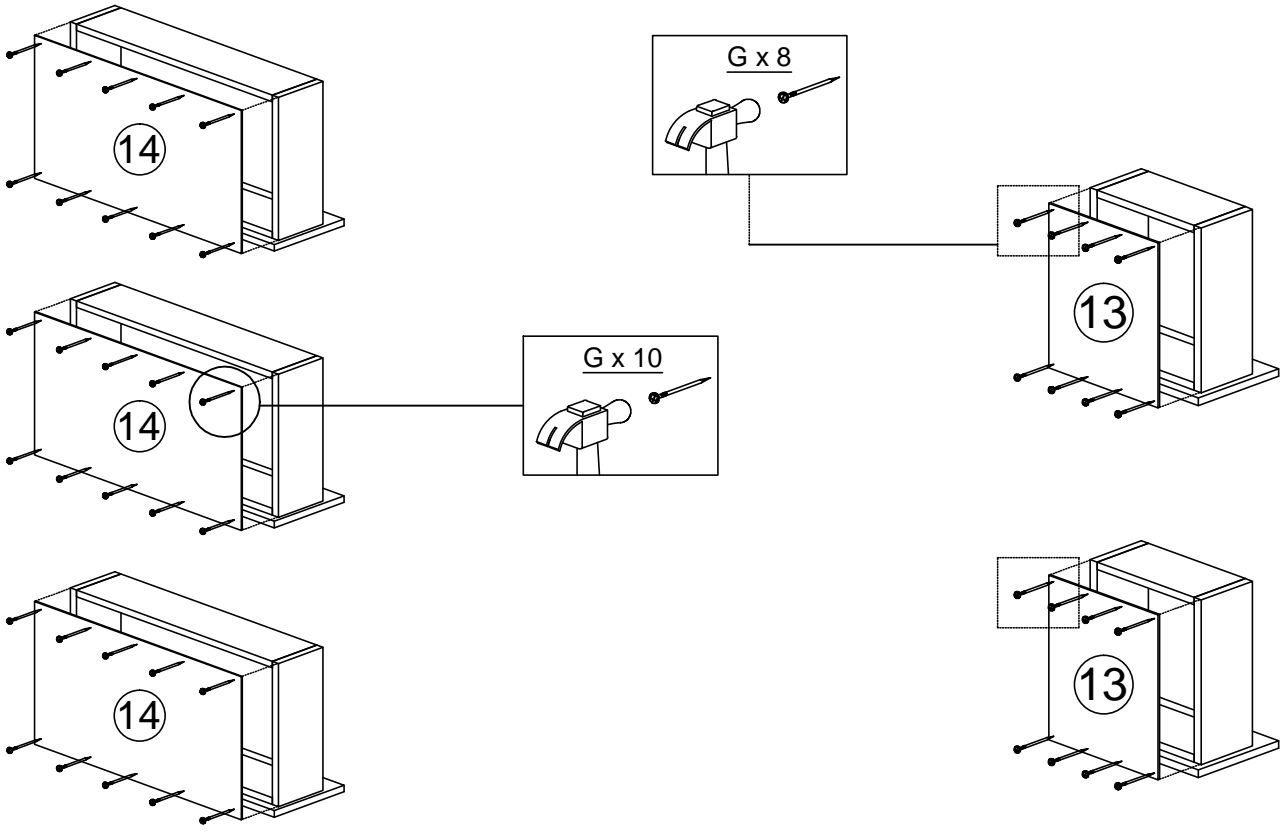
STEP 5

F		CB SCREW M4X38MM	40
---	--	------------------	----



STEP 6

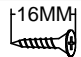

G		NAIL 5/8	46
---	---	----------	----

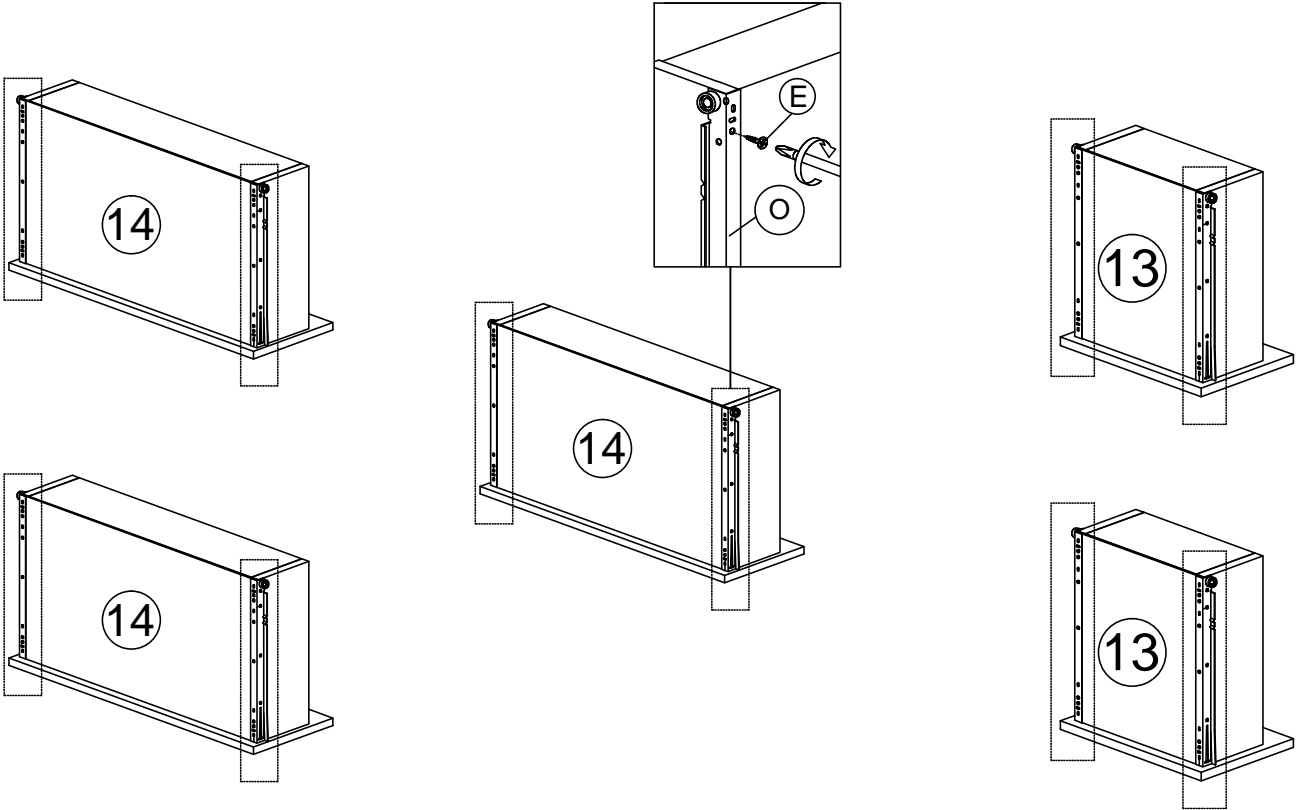


THE USE OF POWER TOOLS TO ASSEMBLE THIS PRODUCT WILL INVALIDATE ANY CLAIM AND MAY DAMAGE THIS PRODUCT MAKING IT UNSAFE.




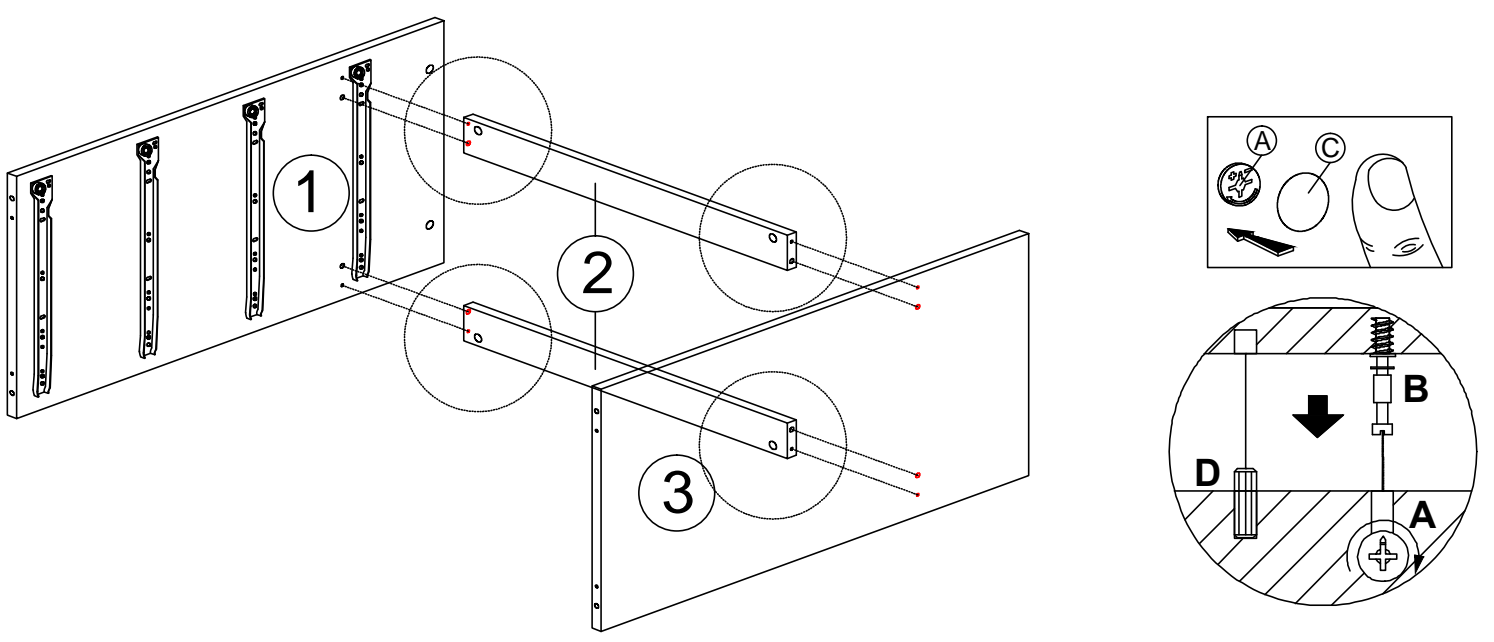
STEP 7

E		CB SCREW M3.5X16MM	30
O		DRAWER SLIDE 14"	10



STEP 8



C		CAM CAP	4
---	---	---------	---

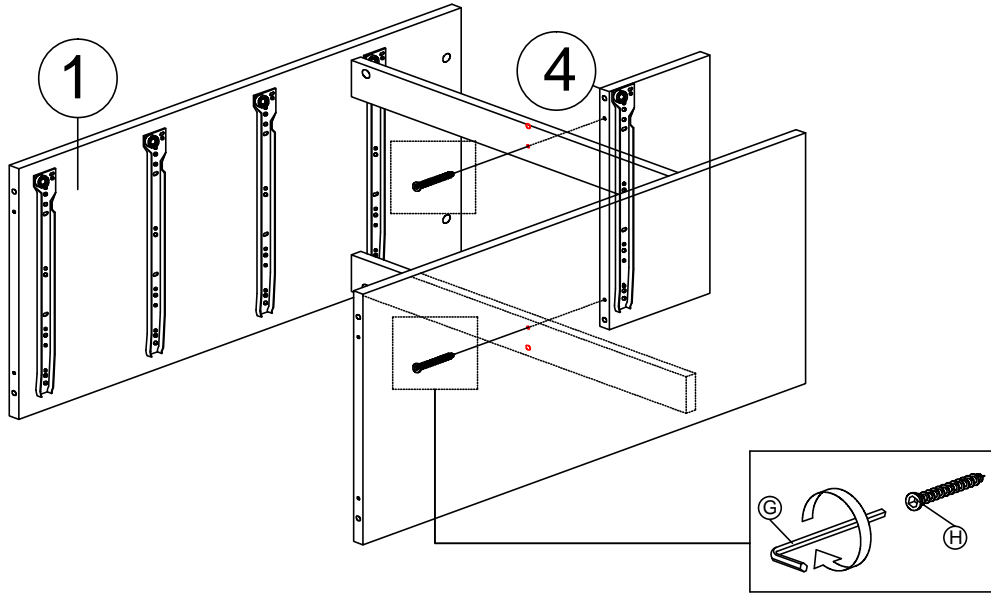


THE USE OF POWER TOOLS TO ASSEMBLE THIS PRODUCT WILL INVALIDATE ANY CLAIM AND MAY DAMAGE THIS PRODUCT MAKING IT UNSAFE.



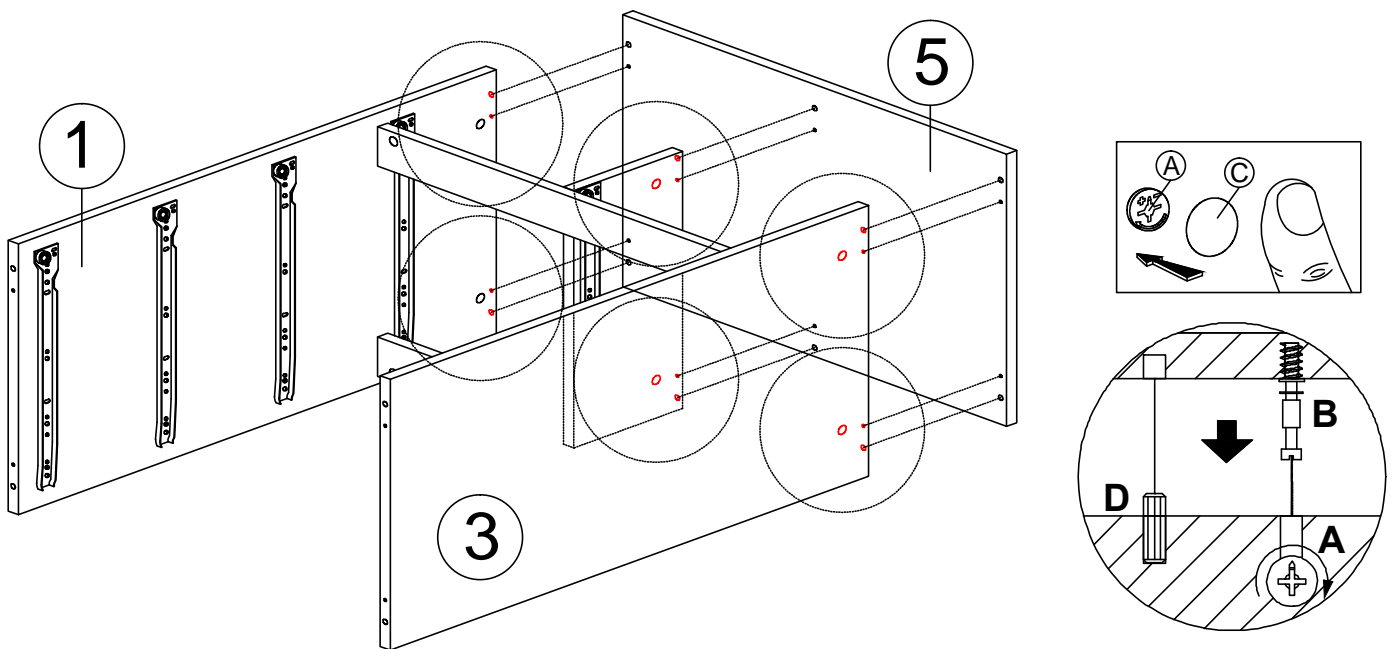
STEP 9

H		L KEY	1
I		CSK CAP WOOD M6 X 50 MM	2



STEP 10



C		CAM CAP	6
---	---	---------	---

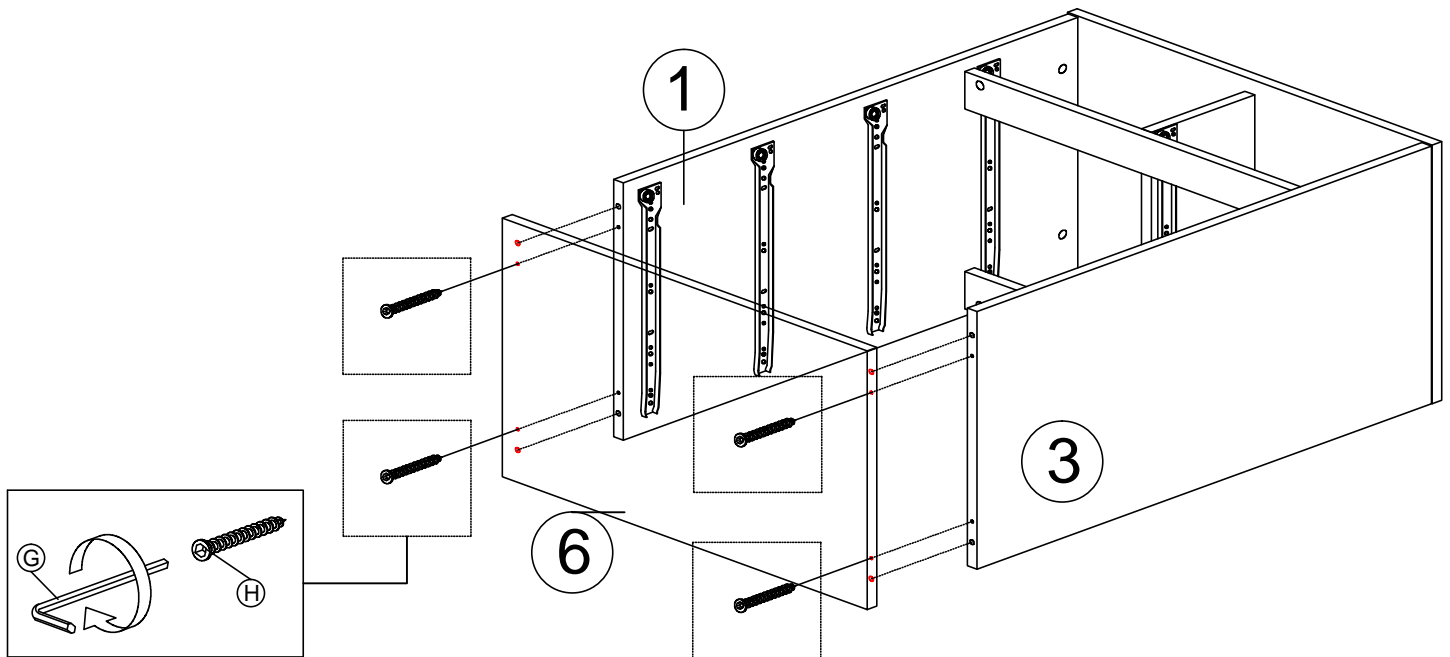


THE USE OF POWER TOOLS TO ASSEMBLE THIS PRODUCT WILL INVALIDATE ANY CLAIM AND MAY DAMAGE THIS PRODUCT MAKING IT UNSAFE.





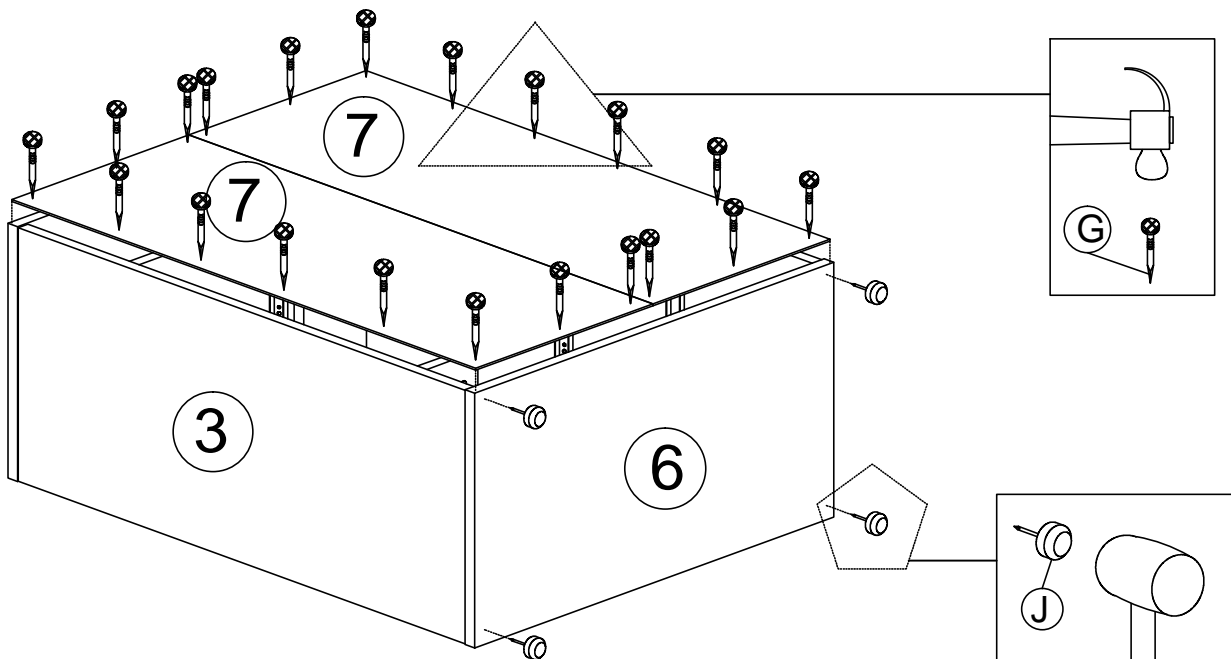
STEP 11

H		L KEY	1
I		CSK CAP WOOD M6 X 50 MM	4



STEP 12

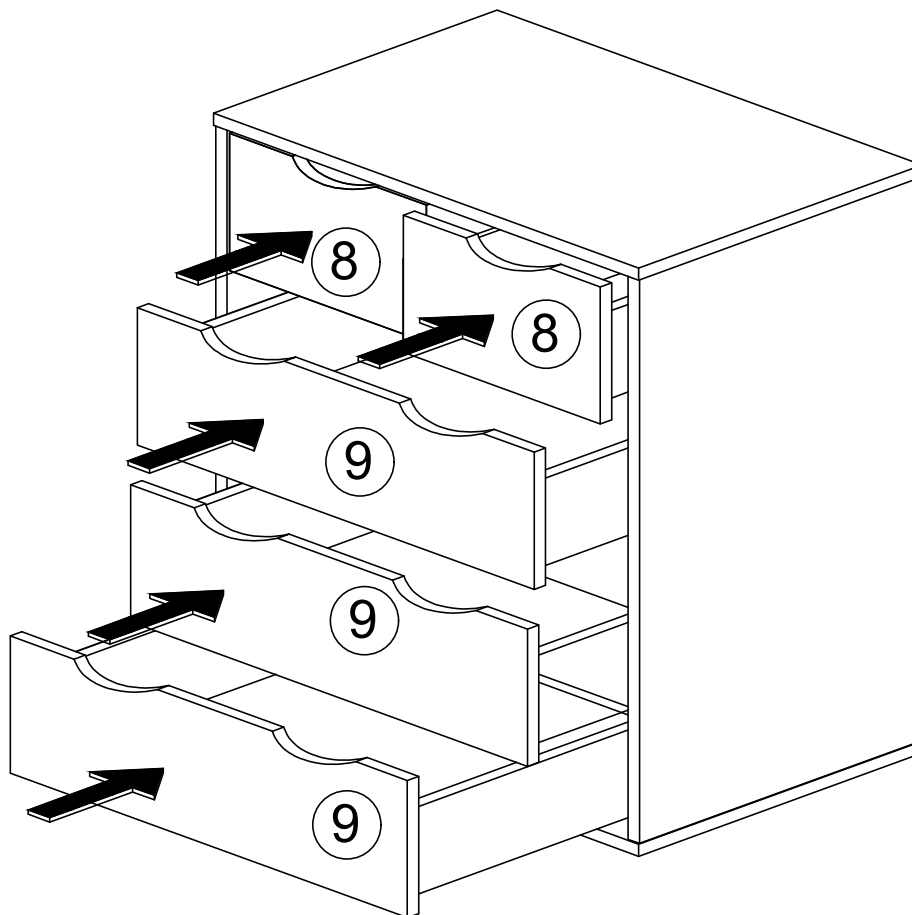
G		NAIL 5/8	20
J		PVC NAIL WITH PIN 5/8	4



THE USE OF POWER TOOLS TO ASSEMBLE THIS PRODUCT WILL INVALIDATE ANY CLAIM AND MAY DAMAGE THIS PRODUCT MAKING IT UNSAFE.

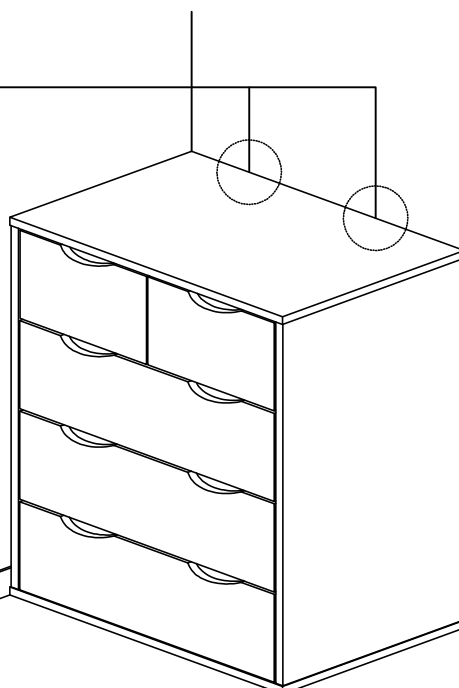
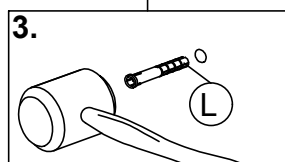
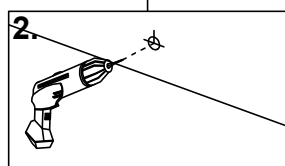
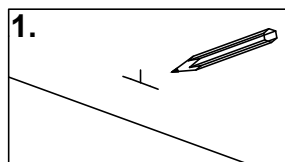


STEP 13



STEP 14

L		PLASTIC WALL ANCHOR	2
---	---	---------------------	---



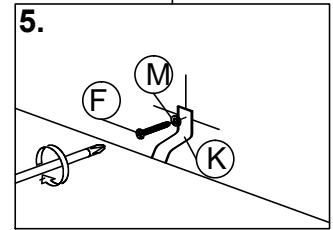
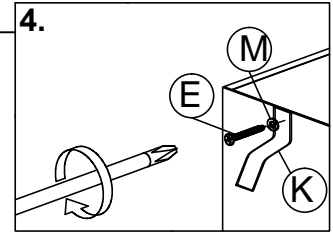
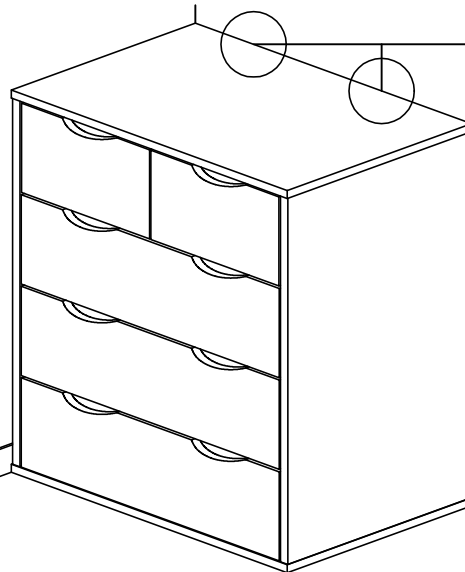
1. First mark the wall with pencil as in diagram.
2. Drill small hole at the pencil mark.
3. Insert plastic wall anchor (L).

THE USE OF POWER TOOLS TO ASSEMBLE THIS PRODUCT WILL INVALIDATE ANY CLAIM AND MAY DAMAGE THIS PRODUCT MAKING IT UNSAFE.



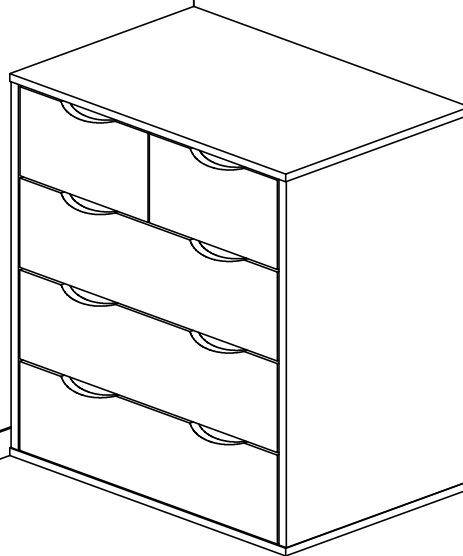
STEP 15

E		CB SCREW M3.5X16MM	2
F		CB SCREW M4X38MM	2
K		SAFETY STRAP	2
M		WASHER	4



4. Add safety strap (**K**), washer (**M**) using M3.5x16mm screw (**E**) to back of cabinet.
5. Finally, attach safety strap (**K**) and washer (**M**) using M4x38mm screw (**F**) to the wall.

COMPLETED



THE USE OF POWER TOOLS TO ASSEMBLE THIS PRODUCT WILL INVALIDATE ANY CLAIM AND MAY DAMAGE THIS PRODUCT MAKING IT UNSAFE.

