

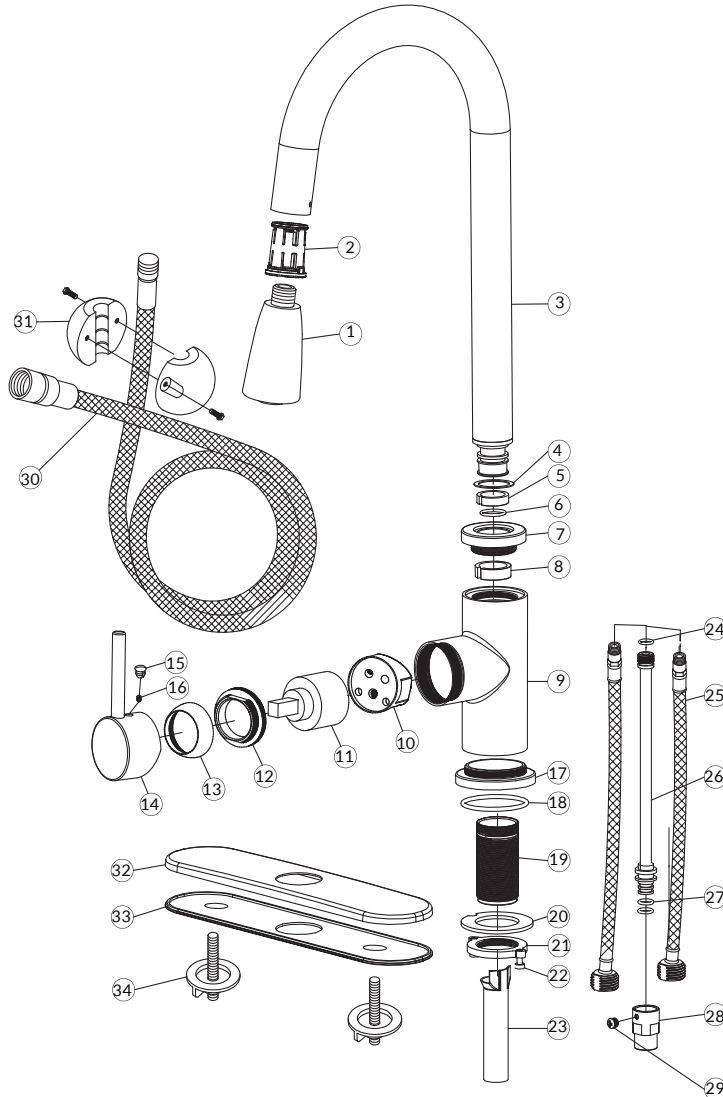


KITCHEN FAUCET  
**LK4B**

INSTALLATION INSTRUCTIONS

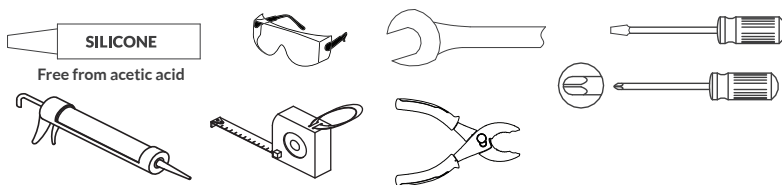
WHAT'S IN THE BOX / REQUIRED TOOLS

PACKING LIST



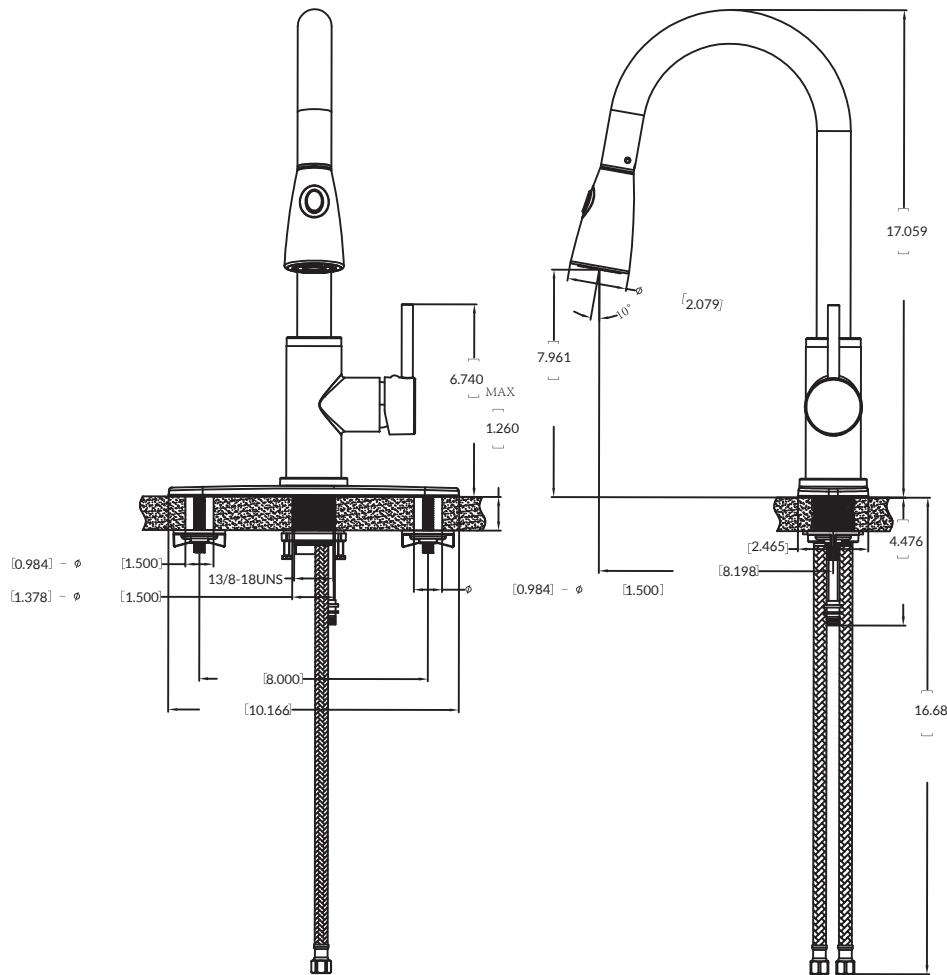
No.	Component Description
1	Spray
2	Connector
3	Spout
4	Gasket
5	C-clip
6	O-ring
7	Mixer
8	C-clip
9	Faucet Body
10	Cartridge Base
11	Cartridge
12	Adjustment Ring
13	Dome Nut
14	Handle
15	Screw
16	Index Button
17	Base
18	O-ring
19	Assembly Fixing
20	Gasket
21	Lock Ring
22	Screw
23	Sleeve
24	O-ring
25	SS Hose
26	Copper Tube
27	O-ring
28	Connector
29	Screw
30	Spray Hose
31	Counter Weight
32	Cover Plate
33	Bottom Plate
34	Fixing Nut

TOOLS REQUIRED FOR INSTALLATION (NOT INCLUDED)



**Note:** Other tools may be required

DIMENSIONS/TECHNICAL DATA



**ATTENTION!** Dimensions may vary by up to 3/8". It is highly recommended to pull all dimensions of actual model for installation and measuring purposes.

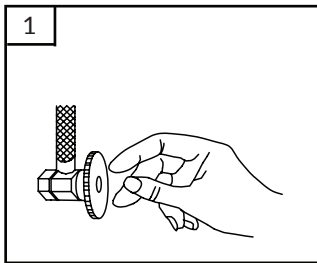
**ATTENTION!** The measurements in inches are rounded to the nearest 1/8"

TECHNICAL DATA

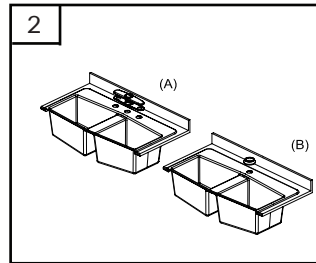
Max Flow Rate 2 . 2 GPM at 60 PSI

## INSTALLATION INSTRUCTIONS

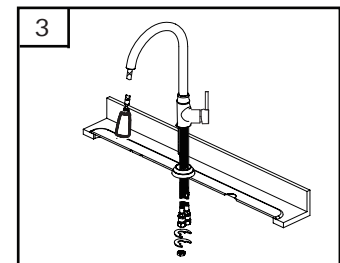
**Maintenance** Your new faucet is designed for trouble-free performance. Keep it looking new by cleaning it periodically with a soft cloth. Avoid abrasive cleaners, steel wool and harsh chemicals as these will dull the finish and void your warranty.



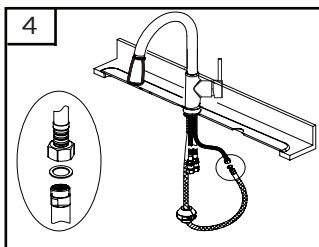
1  
Locate water supply inlet and shut off water supply valve. These are usually found under the sink or near the water heater. Remove old faucet. Clean and dry sink surface area where new faucet will be mounted.



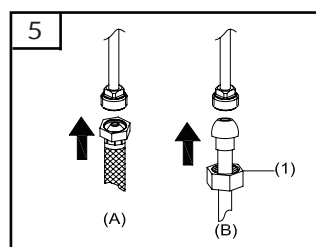
2  
Escutcheon installation is optional.  
A. For installation with deck plate, place base plate and escutcheon on the sink.  
B. For installation without deck plate, use flange to replace escutcheon and base plate.



3  
Place the faucet assembly into position on sink. From under sink, firmly secure faucet to sink with rubber washer, metal washer and nut.

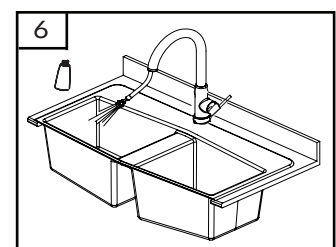


4  
Connect hose with the washer to outlet tube and tighten. Do not overtighten. Install weight onto spray hose.



5  
Connect water supply lines.  
(A) Use faucet supply lines or use coupling nuts (not supplied) with ball-nose risers (not included).

Turn water supply or shut-off valve back on and check for leaks. If leaks occur, gently tighten the faucet connections.



6  
Important: After installation is completed, turn on water supply without the sprayer. Allow water to run for at least one minute both hot and cold positions. Assemble the spray head to the pull-out hose by turning spray head clockwise.  
**WARNING: MAKE SURE THAT GASKET IN THE OUTLET PORT IS IN PLACE BEFORE ASSEMBLING THE SPRAY HEAD TO HOSE.**



## READ ALL INSTRUCTIONS BEFORE UNPACKING THE PRODUCT

INSTRUCTIONS THAT, IF IGNORED COULD RESULT IN DEATH OR SERIOUS INJURY CAUSED BY INCORRECT HANDLING OR INSTALLATION OF THE PRODUCT. THESE INSTRUCTIONS MUST BE OBSERVED FOR SAFE INSTALLATION.



INSTALLATION OF LESSCARE PRODUCTS BY AN  
INEXPERIENCED INSTALLER MAY RESULT  
PERSONAL INJURY OR DEATH!



LessCare reserves the right to change, update, modify, alter, redesign this manual/product or its policies without prior notice!  
It is your responsibility to visit website to download or contact customer service for the most updated version of the installation instructions.

LessCare shall not be liable for any injuries or property damages in connection with this product during installation or use of this product!

LessCare products must be installed by a fully insured and licensed plumber only. Installation of any LessCare product by anyone other than fully insured and licensed plumber shall void limited warranty. LessCare recommends that such licensed plumber have experience in the installation of products.

Limited warranty is void on any commercial installation

LessCare is not responsible for local code compliance for this product. Building and plumbing codes may vary from state-to-state in accordance to your location. LessCare is not responsible for providing any compliance certifications.

LessCare is not responsible to provide any type of certifications for this product

Under no circumstances LessCare shall not be liable for any and all incidental damages sustained in connection with this product

Neither manufacture, nor distributor, nor retailer is responsible for water damage or flood caused due to use of this product.

Under no circumstances LessCare shall not be liable for any and all fees, cost of installation/reinstallation/removal, subsequent damage or transportation in case of the product defect

## Maintenance & Care

### IMPORTANT!

**DO NOT USE:** Abrasive cleaners such as: acid, ammonia, bleach, and similar solutions. Use of such solutions may cause corrosion, finish peeling, and/or dull the surface.

**DO NOT USE:** Abrasive sponges or cloth. Never use steel, wool, or wired brushes that will permanently scratch the surface.

Retain these installation instructions for future reference!



Thank you for using LessCare products!