

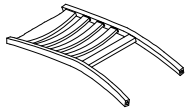
# ASSEMBLY INSTRUCTION

Important note:

1. Place all wooden parts on a clean and smooth surface such as a rug or carpet to avoid scratching the parts.
2. Kindly follow the assembly instructions step by step.
3. Do not tighten all screws and bolts until the table is fully assembled.
4. Unscrew the protective plastique supports from the metal insert of the legs before assembly.

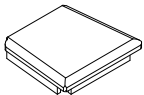
## PARTS IDENTIFICATION

**A** Chair Back



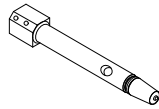
1pc

**B** Seat cushion



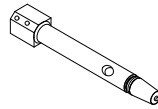
1pc

**C** Left Leg



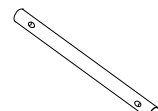
1pc

**D** Right Leg



1pc

**E** Stretcher



2pcs

**F** Wood Parts



2pcs

## HARDWARE IDENTIFICATION

**1** Bolt

Ø5/16"x38mm



2pcs

**2** Bolt

Ø5/16"x60mm



4pcs

**3** Long Bolt

Ø5/16"x80mm



4pcs

**4** Spring Washer

Ø5/16"x11mm



10pcs

**5** Flat Washer

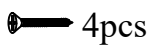
Ø5/16"x19mm



10pcs

**6** Wood screw

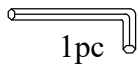
#8x38mm



4pcs

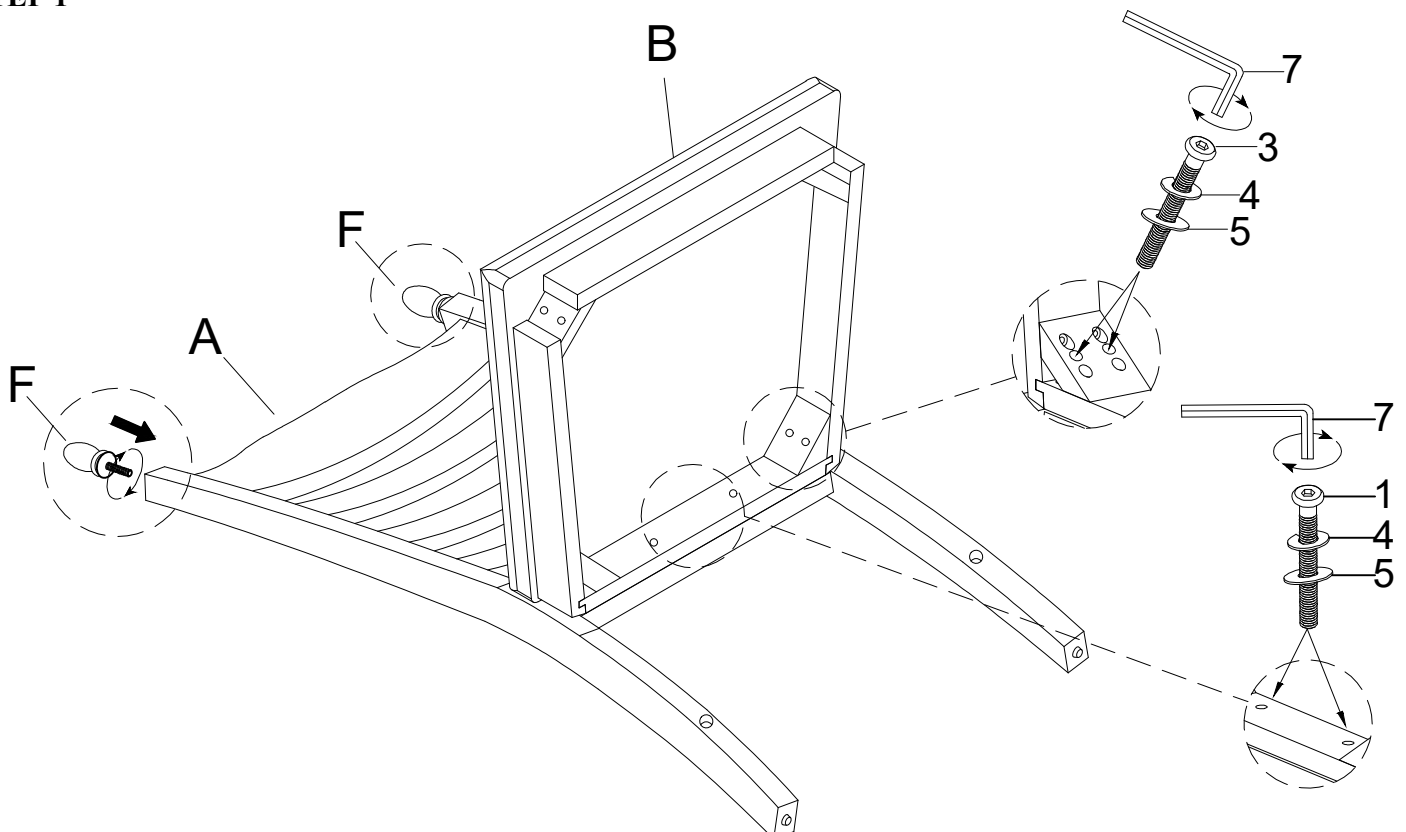
**7** Allen Key

M4



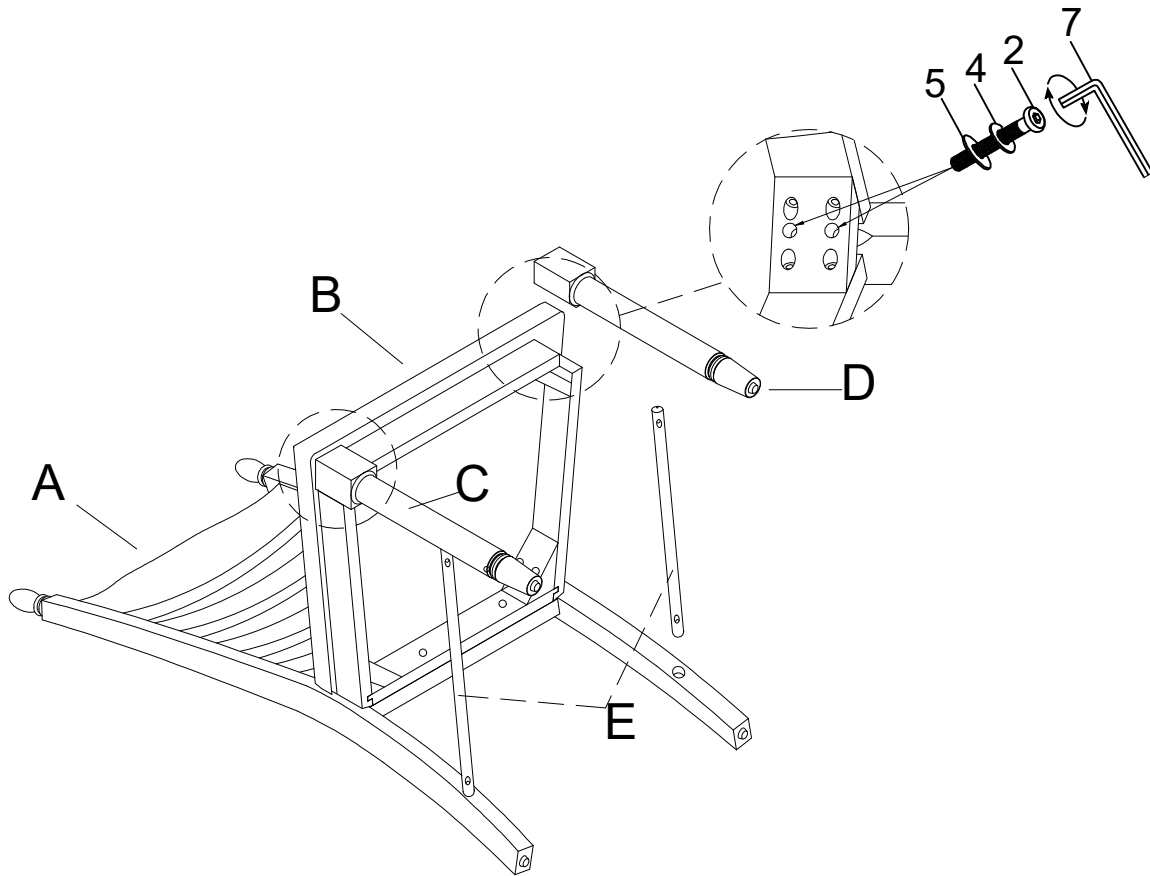
1pc

## STEP 1

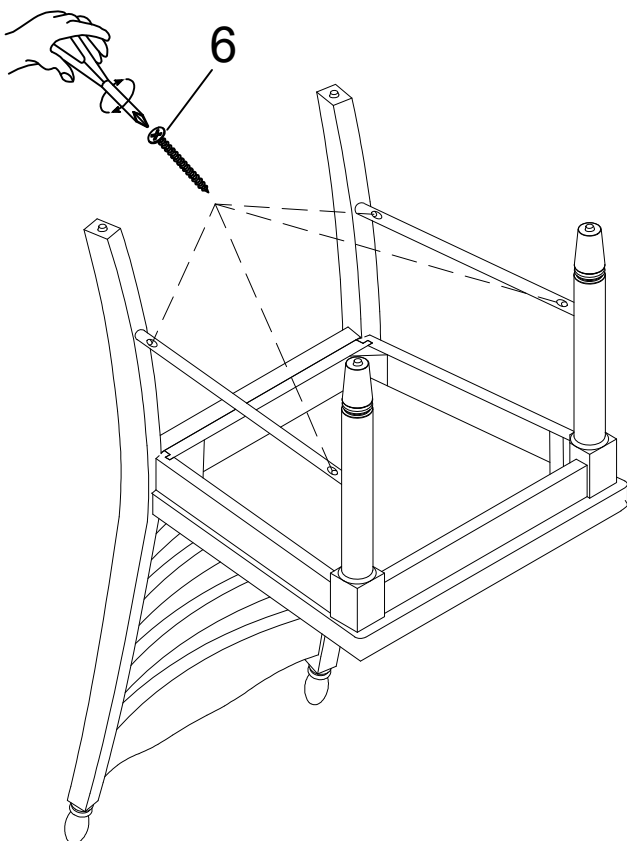


# ASSEMBLY INSTRUCTION

## STEP 2



## STEP 3



## COMPLETE

