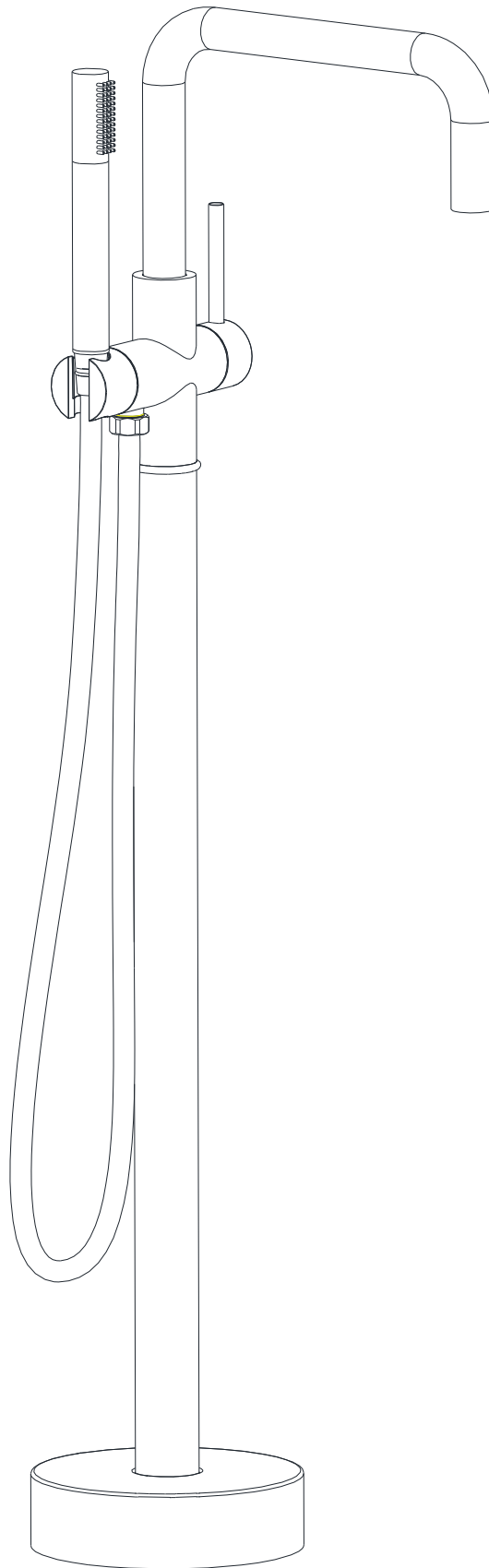


INSTALLATION GUIDE**FLOOR MOUNT TUB FILLER FAUCET**

MODEL	FINISH
S2154F-CH	CHROME
S2154F-BN	BRUSHED NICKEL
S2154F-MB	MATTE BLACK
S2154F-BG	BRUSHED GOLD
S2154F-MG	MATTE BLACK AND BRUSHED GOLD

HOT LINE: +1-866-203-0866

THANK YOU

Dear Valued Customer,

Thank you for choosing SUMERAIN products. We would like to take this opportunity to express our sincere gratitude for your recent purchase. We hope you are completely satisfied with your new product. Rest assured, we meticulously engineer all SUMERAIN products and put them through rigorous factory tests to ensure their prolonged, trouble-free use under normal conditions.

Installing this product is as simple as it gets. All you need are some basic tools and our handy step-by-step illustrated guide. We wholeheartedly welcome any questions or feedback you may have. We eagerly anticipate the opportunity to assist you in the future. If you have any inquiries regarding this product, please do not hesitate to contact us at +1-866-203-0866 or email us at [support@sumerain.com](mailto:supports@sumerain.com).

Once again, we extend our gratitude for selecting SUMERAIN products. We remain committed to providing exceptional customer service.

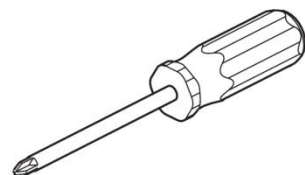
Sincerely,

SUMERAIN Customer Service Department

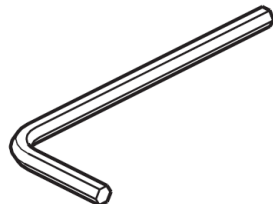
BEFORE PROCEEDING

1. Unpack your new product and verify that all components are present in the package. Until you're ready to install, it's best to keep the product in its original box.
2. Identify the water supply inlets and turn off the water supply valves. You'll typically find these valves near the water meter. If you're replacing an existing unit, make sure to remove the old one and clean the mounting surface thoroughly.
3. Adhere to all plumbing and building codes applicable in your area.
4. If you're not confident about installing the product yourself, we strongly recommend seeking help from a professional.

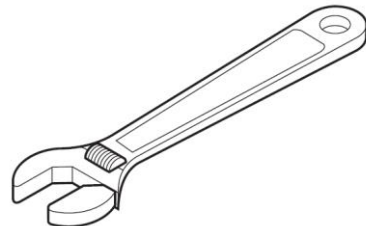
TOOLS RECOMMENDED



Philips screwdriver



Allen wrench



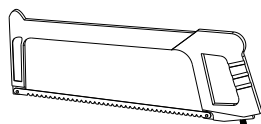
Adjustable wrench



Channel locks



Teflon tape



Saw



Electric drill

LIMITED LIFETIME CONSUMER WARRANTY

VERSION: 140320.15.3

This product has been manufactured and tested to the highest quality standards by HONGKONG SUMERAIN SANITARY INDUSTRY Co., Limited ("SUMERAIN"). This warranty applies solely to SUMERAIN products purchased by consumers in the United States after January 1st, 2020. In the event of a faucet experiencing leaks or drips during regular usage, SUMERAIN will provide the necessary faucet cartridge to the purchaser, free of charge, in order to restore the faucet to proper working condition. If any defects are identified during normal residential use, SUMERAIN will, at its discretion, perform repairs, provide replacement parts or products, or make appropriate adjustments to ensure the product's optimal functionality.

WHO IS COVERED BY THE WARRANTY

This warranty provides exclusive coverage to the original consumer purchaser, including those who have made purchases through online retail platforms. However, online retail customers who are specifically covered by the "Online CONSUMER Limited Lifetime WARRANTY & Return policy" are also included. Please note that this warranty is non-transferable and cannot be assigned to any other party.

WHAT IS COVERED BY THE WARRANTY

This warranty is applicable only to the SUMERAIN manufactured product that you have purchased. SUMERAIN provides the following warranty against defects in material or workmanship: under normal installation, use, service, and maintenance, if the product or any of its components prove to be defective due to improper workmanship or materials, SUMERAIN will, at its discretion, provide free replacement parts or replace the entire product.

FINISH WARRANTY

Customers are responsible for thoroughly inspecting the product for any material or finish defects within three days of receiving it. Please note that SUMERAIN does not cover surface finish defects under warranty once the fixture has been installed.

ELECTRONIC FAUCETS WARRANTY

SUMERAIN guarantees its LED components, including electronic faucets, valves, controllers, and battery-powered devices, against material and manufacturing defects for one year from the date of purchase, under normal use. The water flow impeller power device (LED faucet power generation device) is guaranteed to be free from manufacturing defects for the first three months from the date of purchase.

LENGTH OF WARRANTY

As stated in the following, any replacement or repaired parts of the product will be covered for the duration of this warranty, which SUMERAIN provides for a period of 1 year from the original date of purchase.

CIRCUMSTANCES THAT SUMERAIN WILL NOT WARRANT AND PAY FOR:

- A. Conditions, malfunctions, or damage that do not result from defects in material or workmanship.
- B. Conditions, malfunctions, or damage resulting from normal wear and tear, improper installation, improper maintenance, misuse, abuse, negligence, accidents, alterations, or the use of abrasive or caustic cleaning agents, "no-rinse" cleaning products, or the product in a manner contrary to the provided instructions. This includes home conditions such as excessive water pressure or corrosion.
- C. Labor or other expenses associated with disconnection, deinstallation, or return of the product for warranty service, as well as installation or reinstallation of the product.
- D. Accessories, connected materials, and products (including but not limited to hand shower flexible hose, spray flexible hose, hand shower, shower head), or related products that are not manufactured by SUMERAIN.

TO OBTAIN WARRANTY PARTS OR INFORMATION

To obtain warranty parts or information professionally, please follow the steps below:

Contact your SUMERAIN retailer or dial the technical service phone number at +1-866-203-0866, or send an email to supports@sumerain.com.

When applying for warranty service, you will need to provide the following information:

- a. Sales receipt or other evidence of purchase date and platform.
- b. Detailed description of the problem.
- c. Ship the product or defective parts to the designated Sumerain warehouse in the United States with prepaid postage. Please ensure careful packaging and insurance of the items. Once the warranty service is completed, any repaired or replaced products or parts will be shipped back to you with prepaid postage.

If you have any further questions or need additional assistance, please contact the provided contact information.

EXCLUSIONS & LIMITATIONS

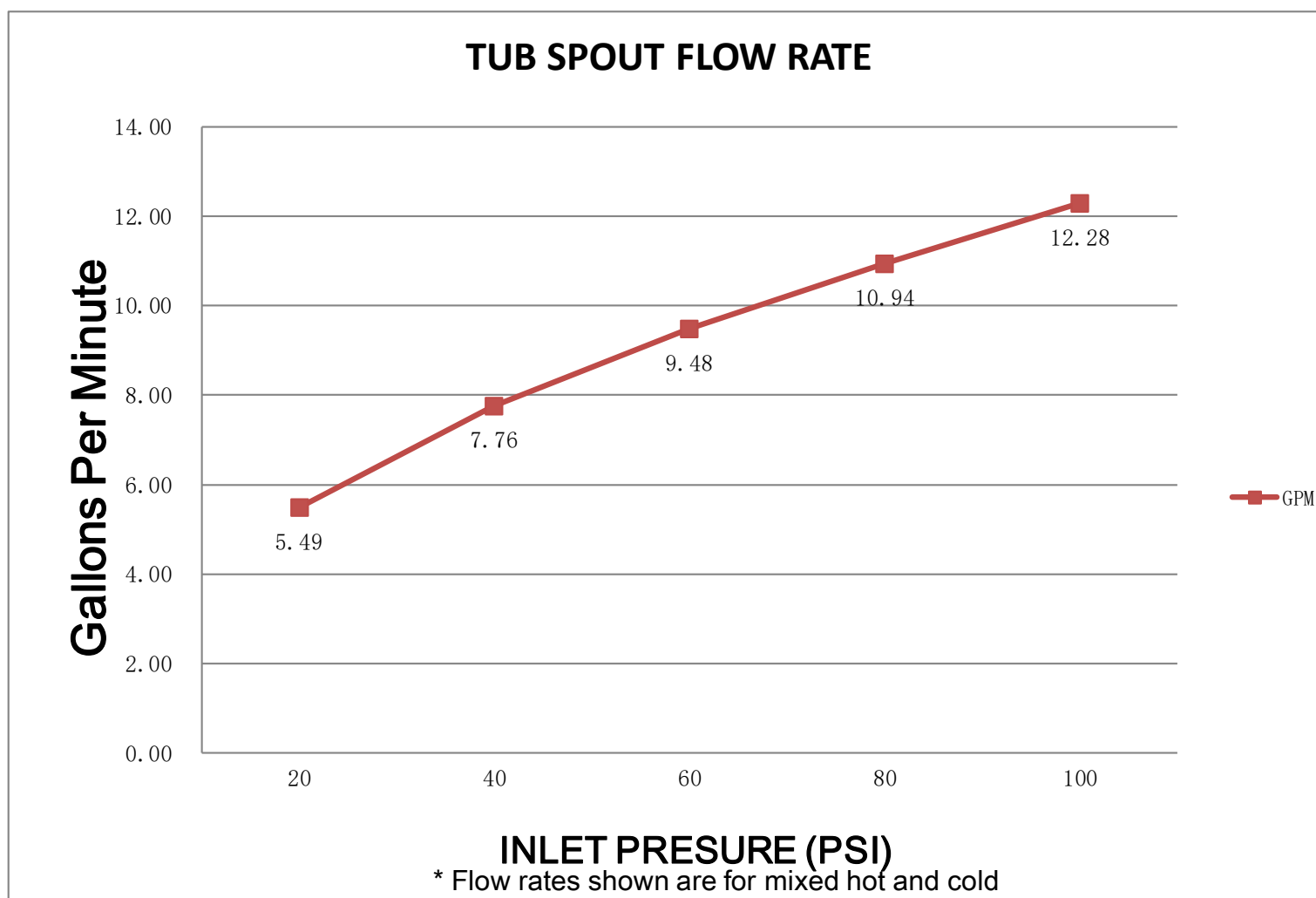
Pursuant to the terms of this warranty, repair, replacement (or, in limited circumstances, refund of the purchase price) shall be the sole remedy available to the purchaser. SUMERAIN assumes no obligations or liabilities and does not authorize any individual to create obligations or liabilities in relation to this product. SUMERAIN shall not be held liable to the purchaser or any party for any incidental, special, or consequential damages resulting from a breach of this warranty or any implied warranties (including merchantability). Please note that certain states do not allow the exclusion or limitation of incidental or consequential damages, therefore the aforementioned limitation or exclusion may not apply to you. This warranty grants you specific legal rights, and you may also have additional rights that vary from state to state. Before initiating any legal proceedings against us under the Magnuson-Moss Warranty Act, you may be legally required to provide us with a reasonable opportunity to rectify or resolve any non-compliance.

PRODUCT INSTRUCTIONS & QUESTIONS

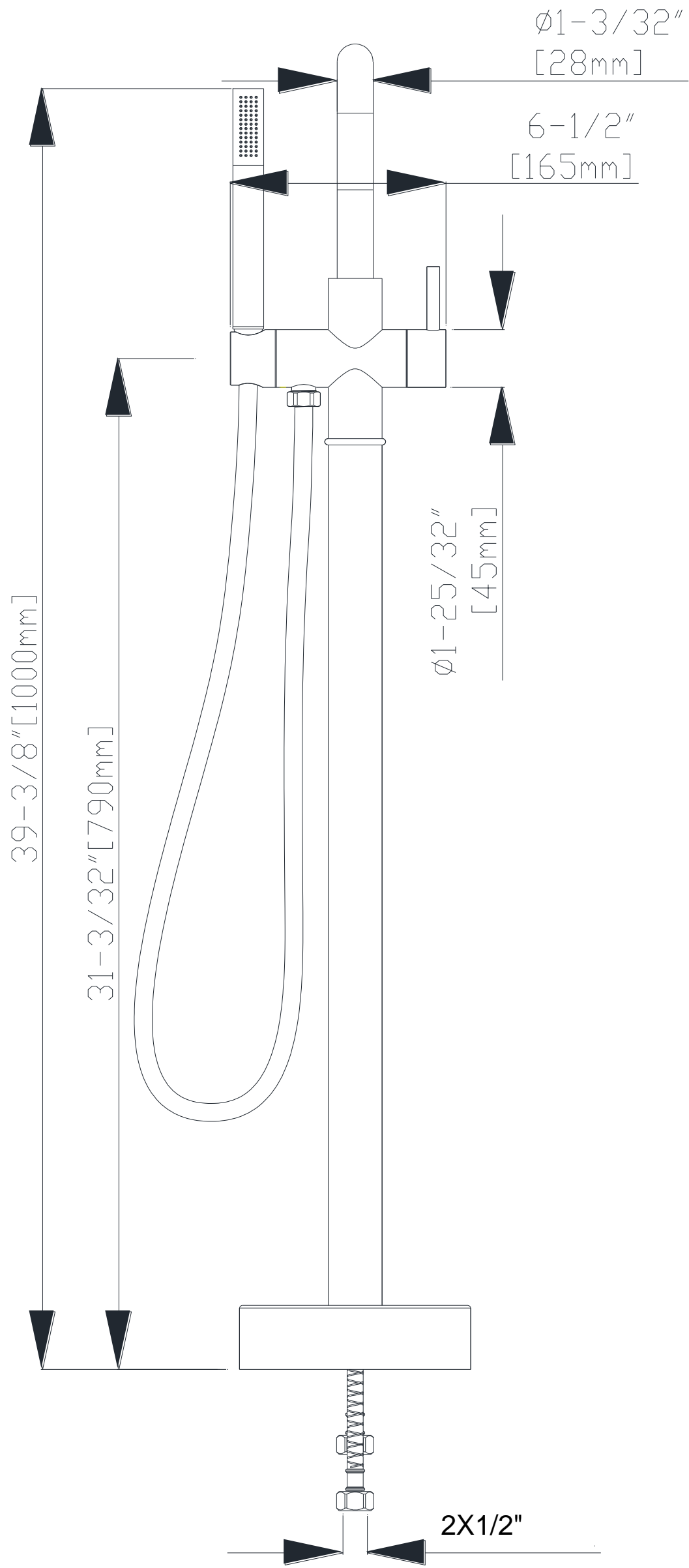
Prior to installation, we strongly recommend conducting a meticulous inspection of your SUMERAIN product to identify any potential damage or visible defects. It is crucial to thoroughly review the accompanying instructions regarding the correct installation, maintenance, and care procedures for the product. Should you have any inquiries regarding the utilization, installation, performance, or this warranty of your SUMERAIN product, please don't hesitate to reach out to us at +1-866-2030-866 or via email at supports@sumerain.com. Our dedicated team is readily available to provide professional assistance and address any concerns you may have.

FUNCTIONS AND SPECIFICATION

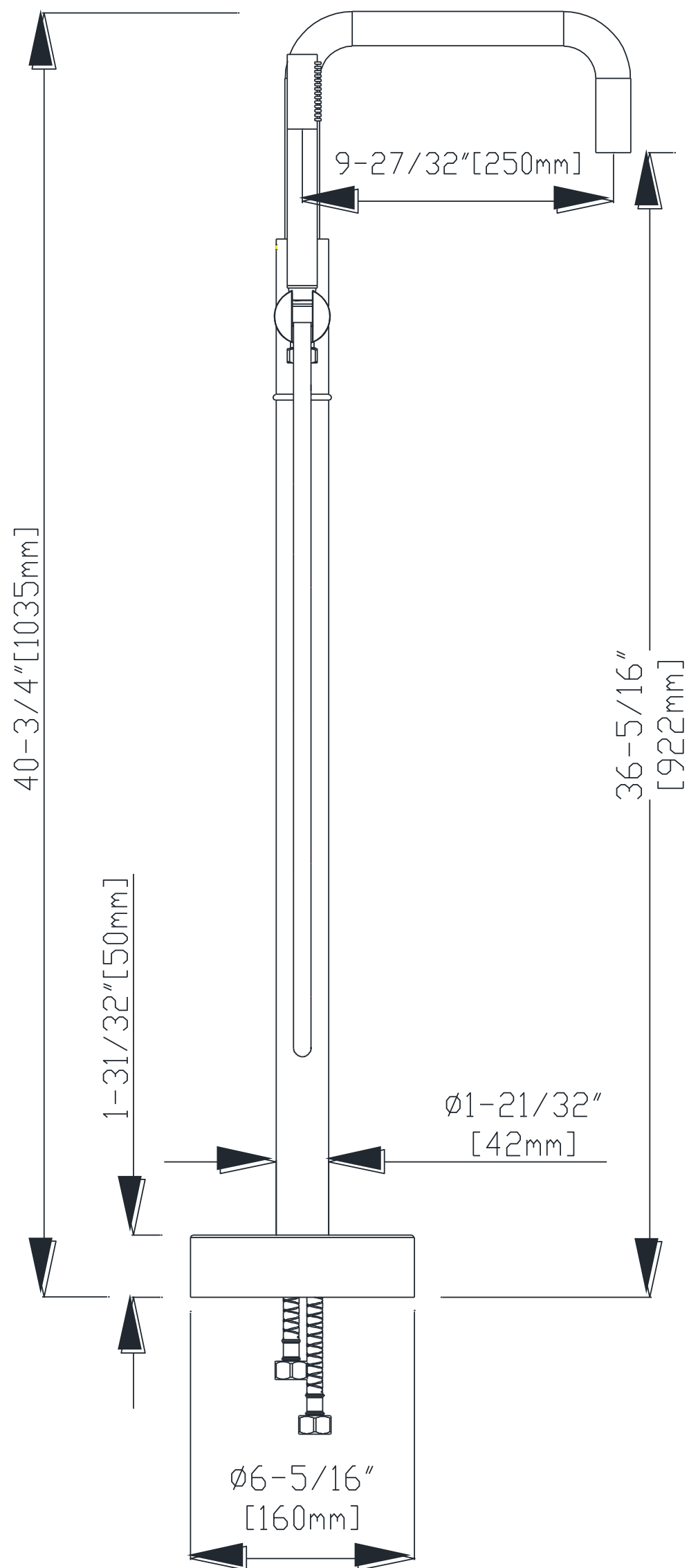
Function	Bathtub Faucet
Feature	Floor Mounted, Freestanding
Theme	Modern, Contemporary
Finish	Chrome/Brushed Nickel/Matte Black/Brushed Gold/Matte Black & Brushed Gold
Number Of Handles	One
Handle Style	Level
Primary Material	Brass
Mounting Hardware Included	Yes
Diverter Included	Yes
Handheld Shower Included	Yes
Valve Included	Yes
Hand Shower Material	ASSEMBLE
Shower Hose Included	Yes
Hose Material	ASSEMBLE
Faucet Total Height	40-3/4"[1035mm]
Spout Reach	9-27/32"[250mm]
Spout Height	36-5/16"[922mm]
Valve Type	Ceramic Disc
Handle Material	Metal
Net Weight	9.30 lbs [4.22KG]
Gross Weight	10.91 lbs [4.95KG]
Working water press	29~116PSI[0.2 ~0.8 MPa]
Spout Max Flow Rate	9.48GPM [35.9L/M]@60PSI
Hand shower Flow Rate	1.8GPM[6.8L/M]@60PSI
Packing box size	29-15/16"[760mm]x13-3/16"[335mm]x3-5/32"[80mm]



DEMENSION



FRONT VIEW OF FAUCET



RIGHT VIEW OF FAUCET

INSTALLATION STEPS

1. BEFORE PROCEEDING



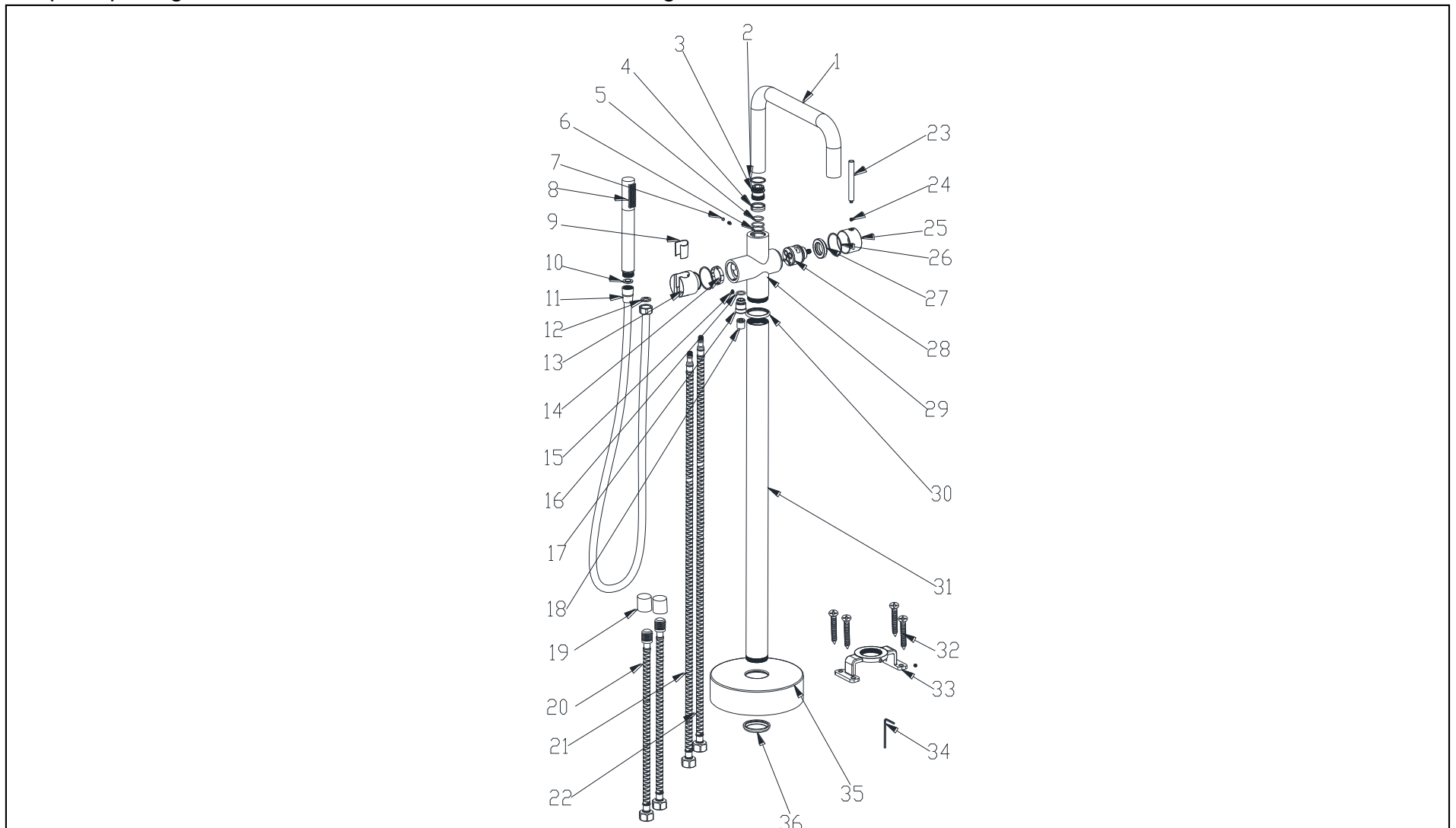
WARNING: Before proceeding with any operation, please read all instructions thoroughly. If you are uncertain about installing this product, please consult a professional! This product should be installed in accordance with all local and state plumbing and building codes. It is recommended to seek professional assistance.

2. SHUT OFF WATER SUPPLY

Locate the water supply inlets and shut off the corresponding water supply valves, typically found near the water meter. If replacing an existing unit, remove the old unit and thoroughly clean the mounting surface.

3. CHECKING THE CONTENTS OF THE BOX

Upon opening the box, check to ensure that all the following items are included.



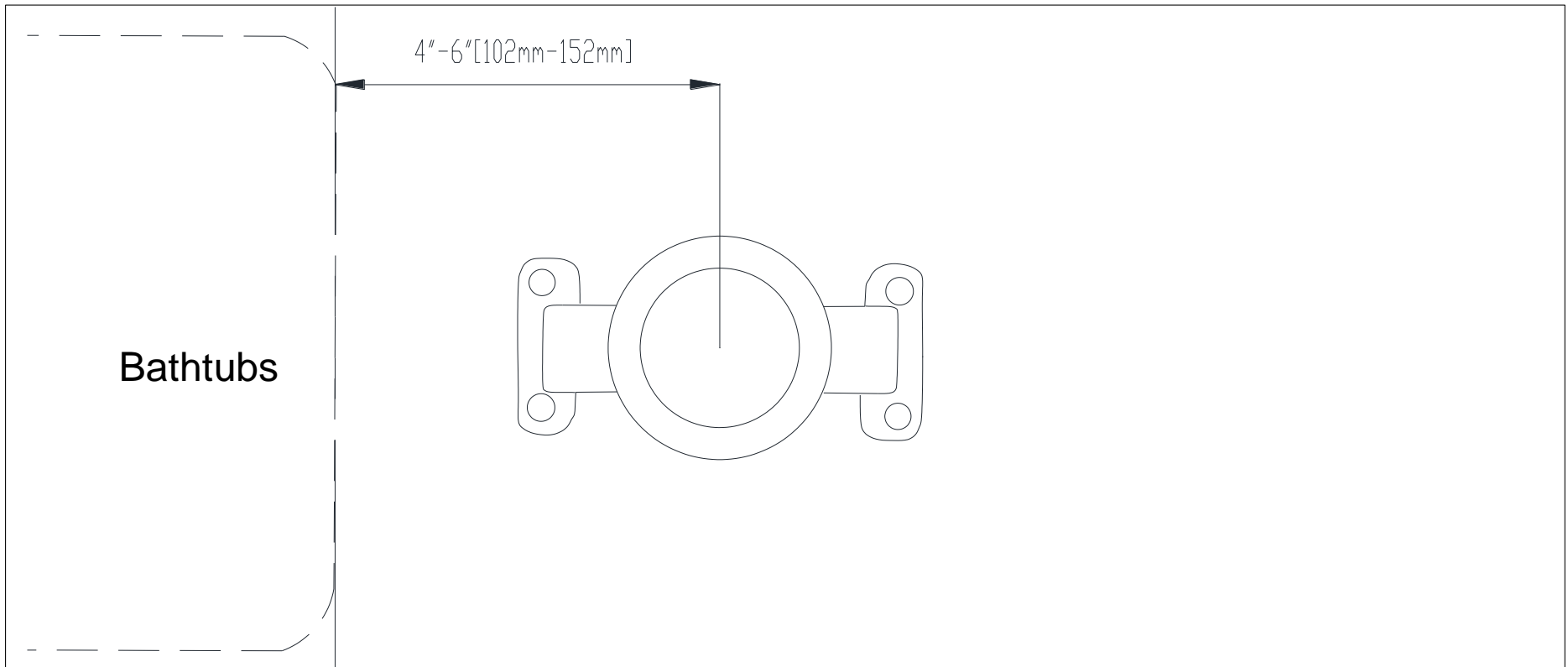
NO	ITEM NAME	MATERIAL	QTY	PART NO.	NO	ITEM NAME	MATERIAL	QTY	PART NO.
1	Spout	SUS304	1	PSP21540XX	19	G1/2 External Thread Protection Cap	POM	2	PSA00015XX
2	Flat Mat	POM	1	PRW28251XX	20	G1/2 External/Internal Thread Hose	ASSEMBLE	2	PFH00057XX
3	Swivel Joint	HPB59-1	1	PCN21540XX	21	Red Supply Hose	ASSEMBLE	1	PFH00045XX
4	External Circlip	POM	1	PRW27248XX	22	Blue Supply Hose	ASSEMBLE	1	PFH00046XX
5	O-Ring	NBR	1	POR22020XX	23	Handle Stem	SUS304	1	PHD21541XX
6	O-Ring	NBR	2	POR25020XX	24	Set Screw	SUS304	2	PSC05051XX
7	Silicone Cap	NBR	1	PSA00001XX	25	Handle	Zn Alloy No.3	1	PHD21540XX
8	Handheld Shower	ASSEMBLE	1	PHS21390XX	26	Flat Mat	POM	2	PRW45411XX
9	Holder Sleeve	ABS	1	PSA21540XX	27	Bonnet	HPB59-1	1	PSC38125XX
10	Flow Restrictor	ASSEMBLE	1	PAE00035XX	28	35#Cartridge	ASSEMBLE	1	PCT35001XX
11	Shower Hose	ASSEMBLE	1	PFH00015XX	29	Valve Body	ASSEMBLE	1	PVB21540XX
12	Flat Mat	NBR	1	PRW19020XX	30	Escutcheon	HPB59-1	1	PFC21450XX
13	Wall Elbow Holder Assembly	HPB59-1	1	PHH21540XX	31	Straight Pipe	SUS304	1	PPI21540XX
14	External Circlip	POM	1	PRW34607XX	32	M6X50 Screw	SUS304	4	PSC06050XX
15	Set Screw	SUS304	2	PSC05072XX	33	Floor Mount Base	SUS304	1	PEC00002XX
16	O-Ring	NBR	1	POR18020XX	34	Allen Wrench 2.5mm	Fe45#	1	PSA00003XX
17	Nipple	HPB59-1	1	PCN21541XX	35	Escutcheon	SUS304	1	PCP21540XX
18	Check Valve	ASSEMBLE	1	PAE00021XX	36	Flat Mat	NBR	1	PRW51457XX

If any of these items are missing, please contact SUMERAIN consumer service by email to: supports@sumerain.com

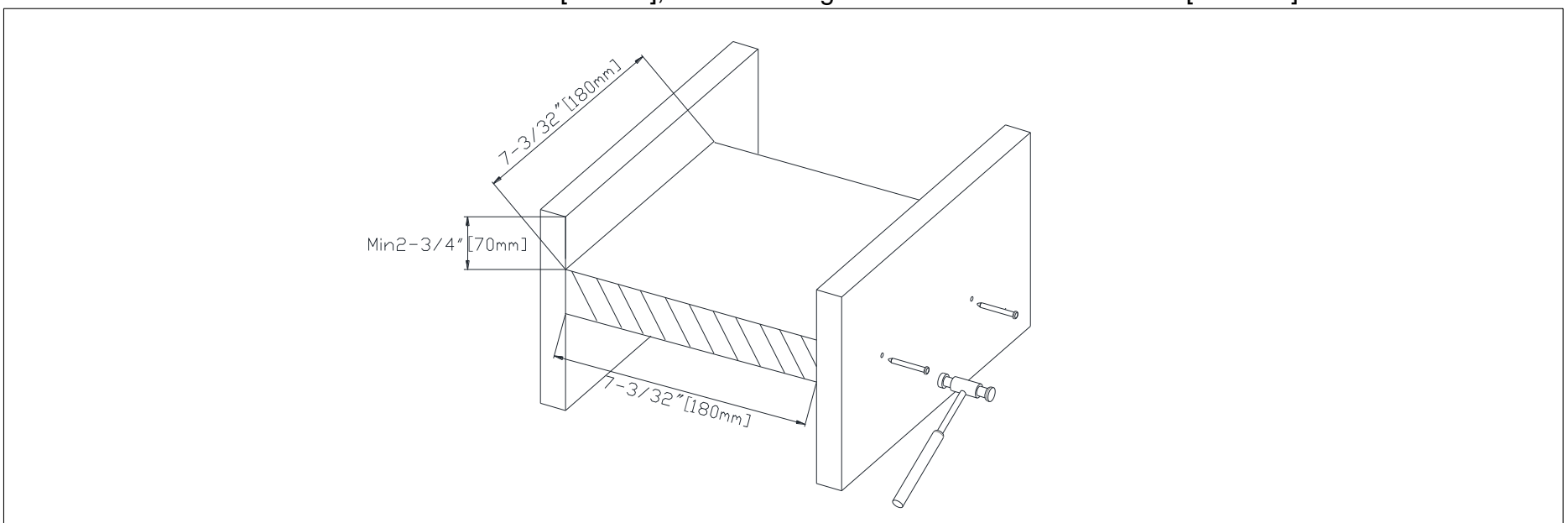
4. ROUGH-IN VALVE INSTALLATION

4.1 INSTALL TUB FILLER FLOOR SUPPORT

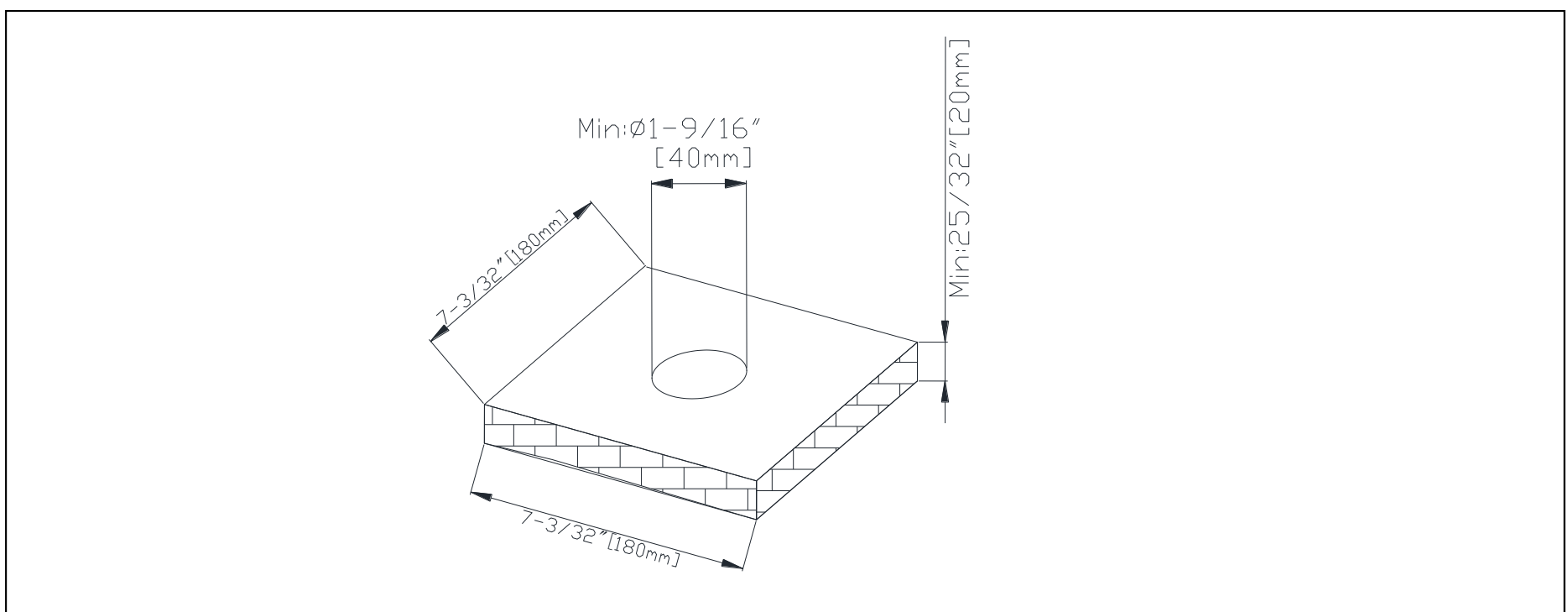
4.1.1 Position the bathtub faucet installation location with a distance of 4 inches to 6 inches [102mm to 152mm] between the bathtub and the faucet installation site.



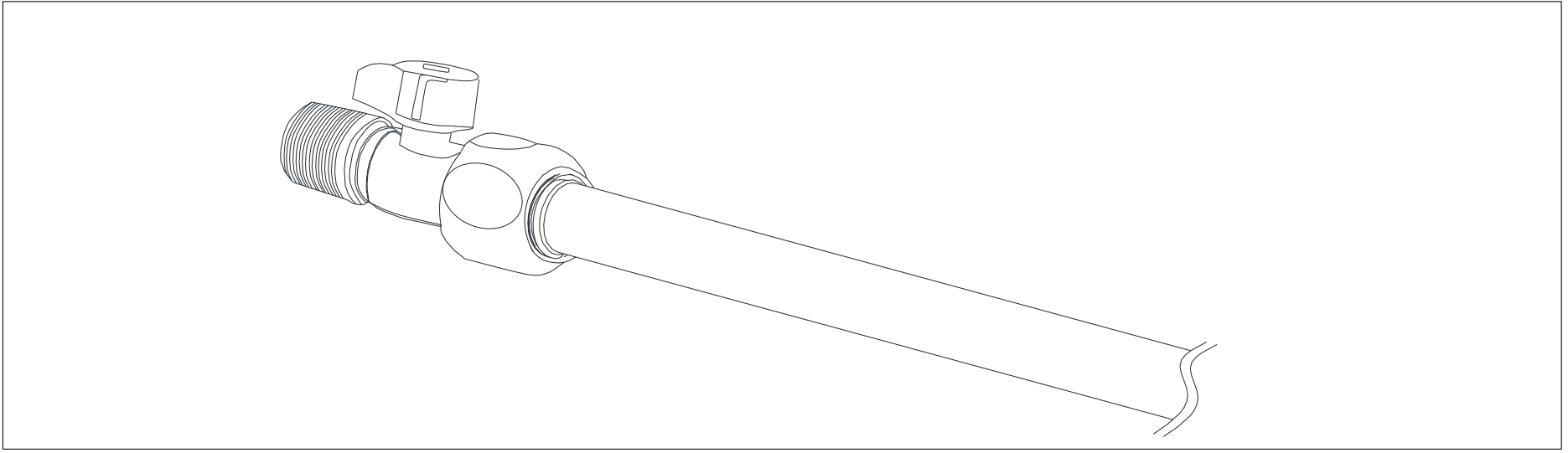
4.1.2 Fabricate a support bracket for the angle valves with minimum dimensions as follows: a depth from the support board to the decorative escutcheon surface of 2-3/4 inches [70 mm], and both length and width of 7-3/32 inches [180 mm].



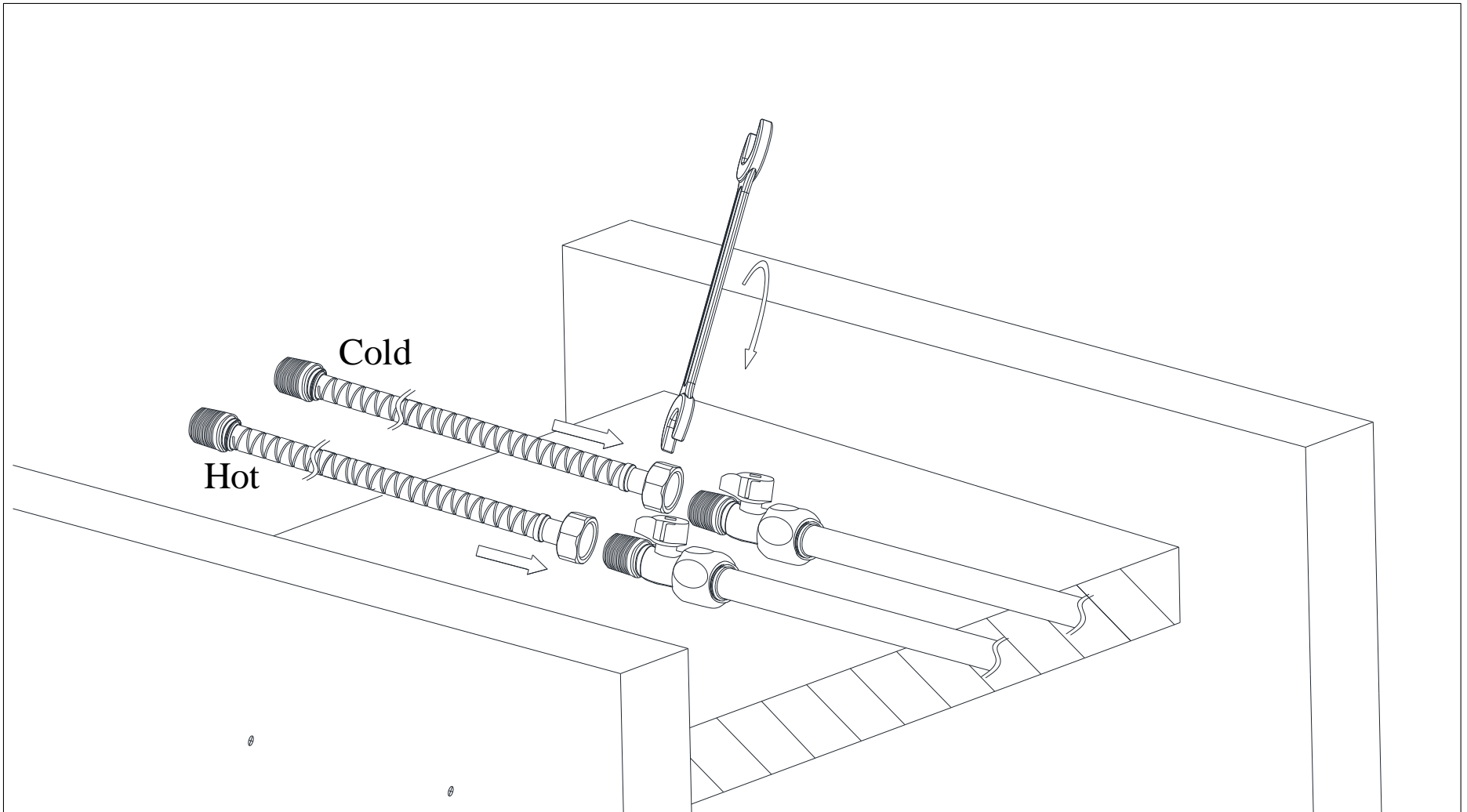
4.1.3 According to the size of the support bracket to fabricate a support board with a minimum width of 7-3/32 inches by 7-3/32 inches [180mm x 180mm] and a minimum thickness of 25/32 inch [20mm]. Drill a hole in the center of the support board where the bathtub faucet will be mounted, with a minimum diameter of 1-9/16 inches [40mm] and a maximum diameter of 3-5/32 inches [80mm].



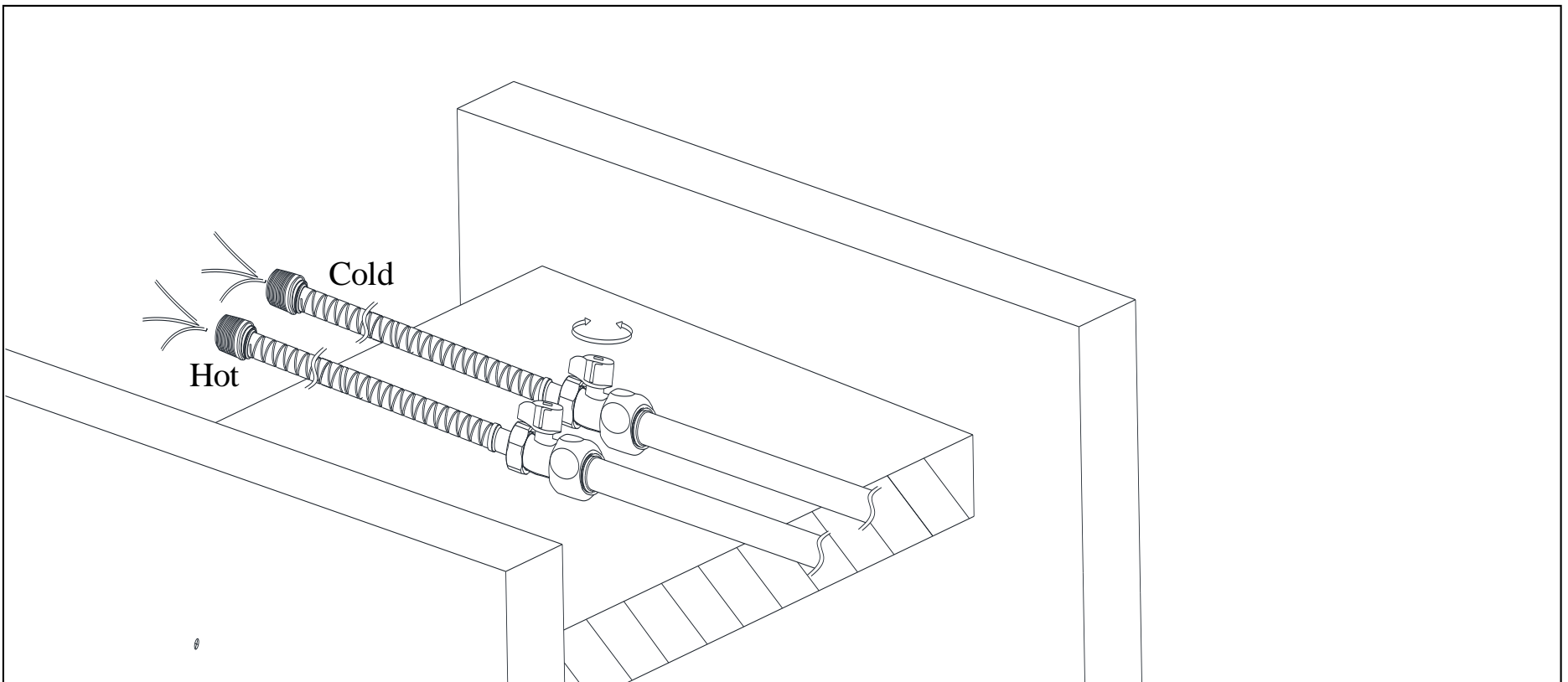
4.1.4 Connect the hot and cold water inlet angle valves with PEX pipes (convert to 1/2 inch external thread).
Max 1/2 in. Push-to-Connect x 1/2 in. MIP Chrome-Plated Brass Quarter-Turn Straight Stop Valve.



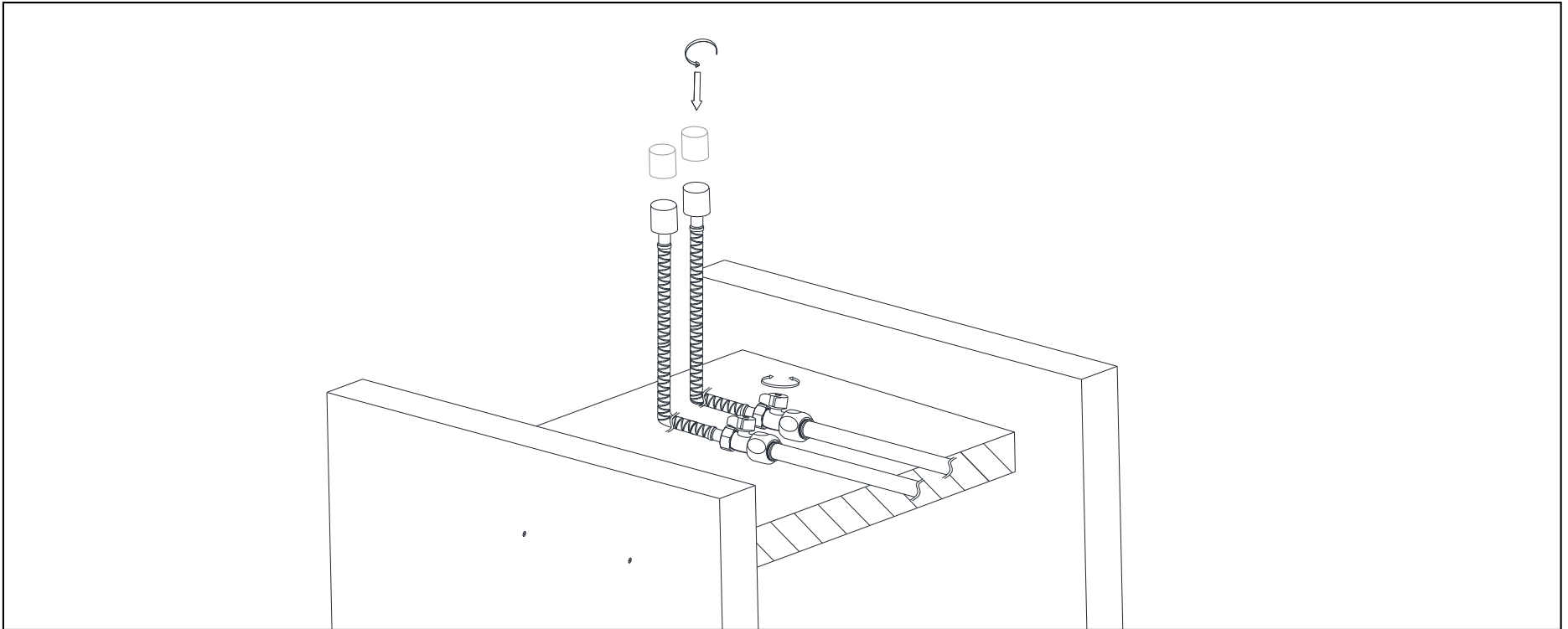
4.1.5 Connect two 1/2 inch external thread - 1/2 inch internal thread extension pipes to the angle valve.



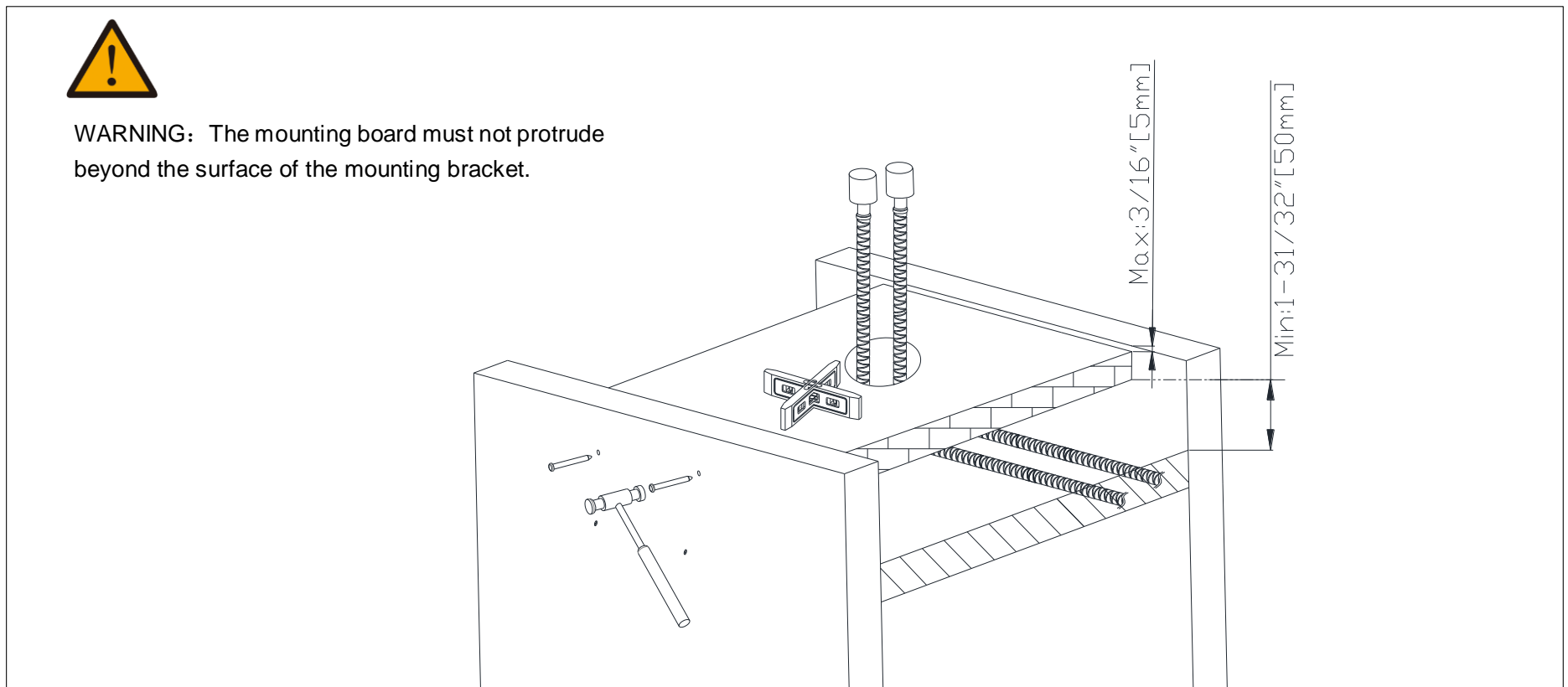
4.1.6 First, shut off the angle valve and perform a high-pressure leak test to ensure there are no leaks. Then, open the angle valve and allow water to run for 3 to 5 minutes to flush out any debris in the pipes.



4.1.7 After completing the test, close the angle valve and tighten the G1/2 external thread protection cover at the hose connection.

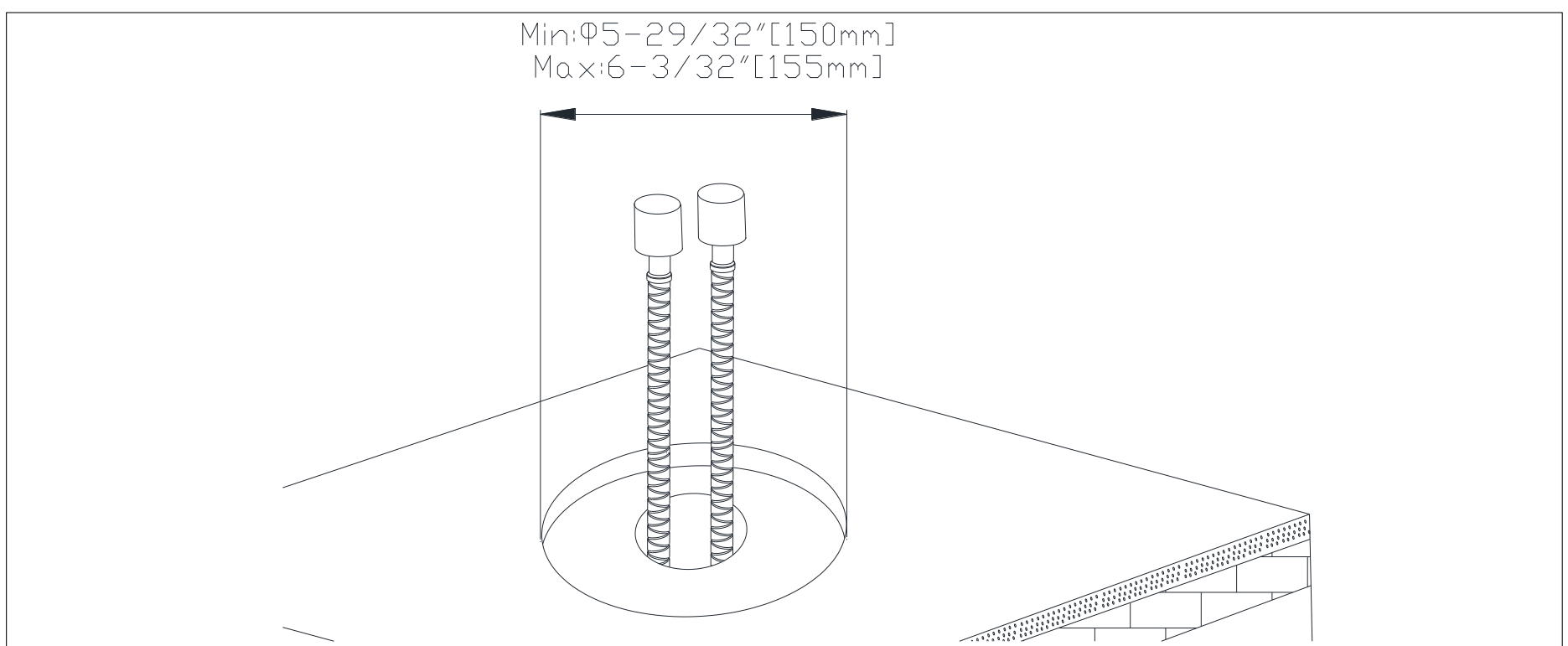


4.1.8 Install the pre-prepared support board horizontally onto the frame using a level, ensuring that the depth (distance) between the support board and the frame surface is 0 to 3/16 inch [0 to 5 mm]. It is recommended that the top surface of the support board be flush with the frame surface.

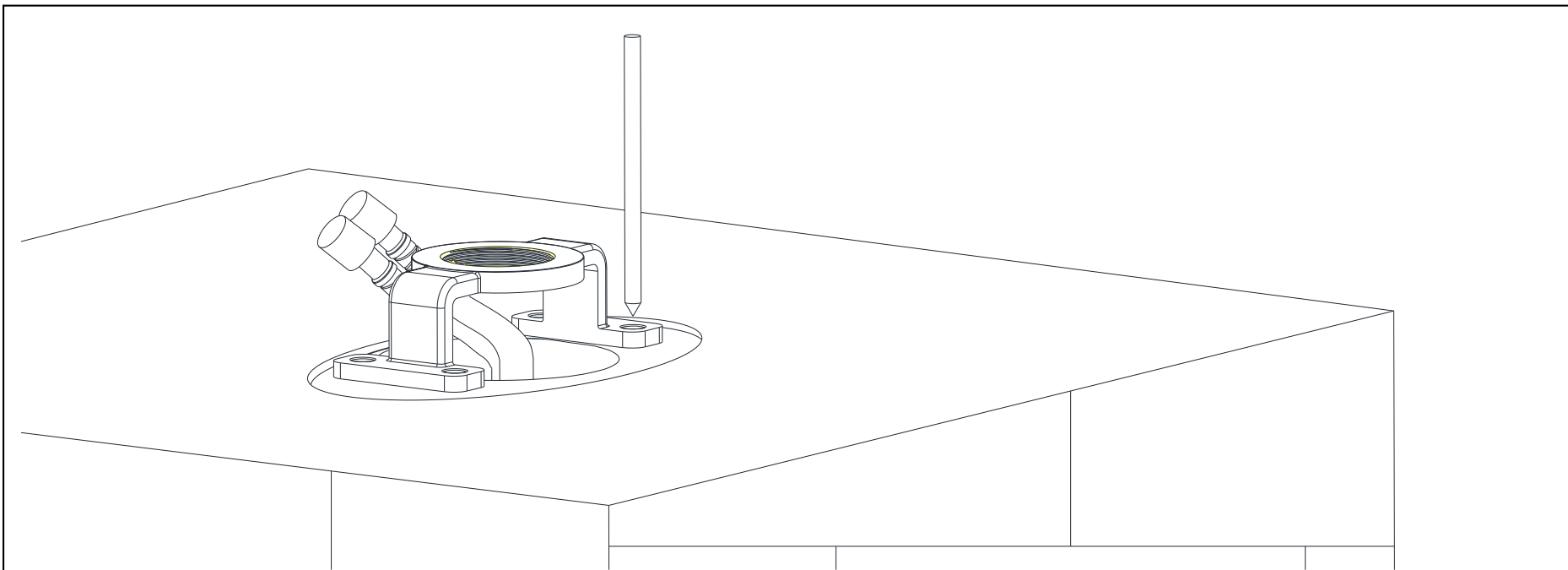


4.1.9 Feed the two extension pipes through the installation holes in the support board, pulling them out to the exterior surface of the board, and complete the final installation of the waterproof flooring. The recommended hole diameter for the waterproof flooring is between 5-29/32 inches and 6-3/32 inches [150 mm-155 mm].

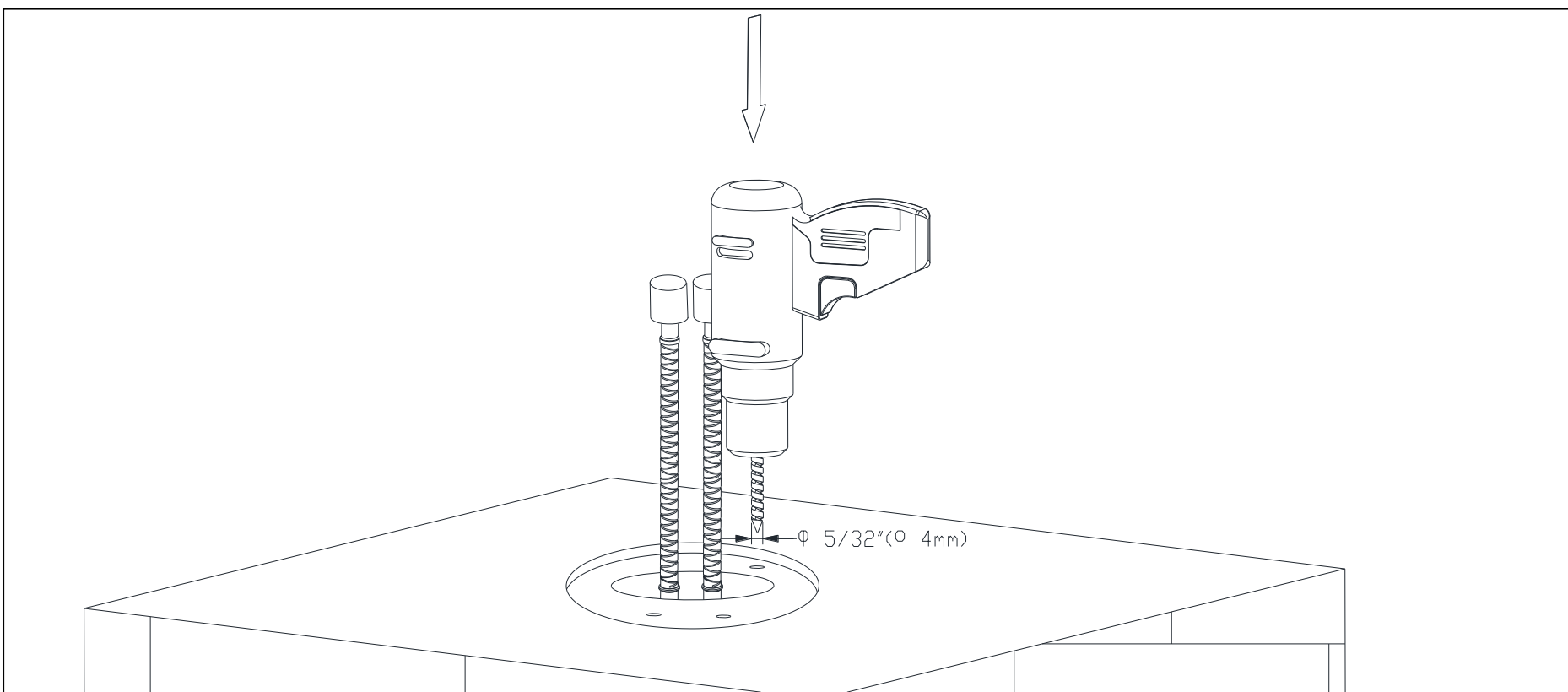
Note: The hole diameter should accommodate the maximum outer diameter of the base bracket.



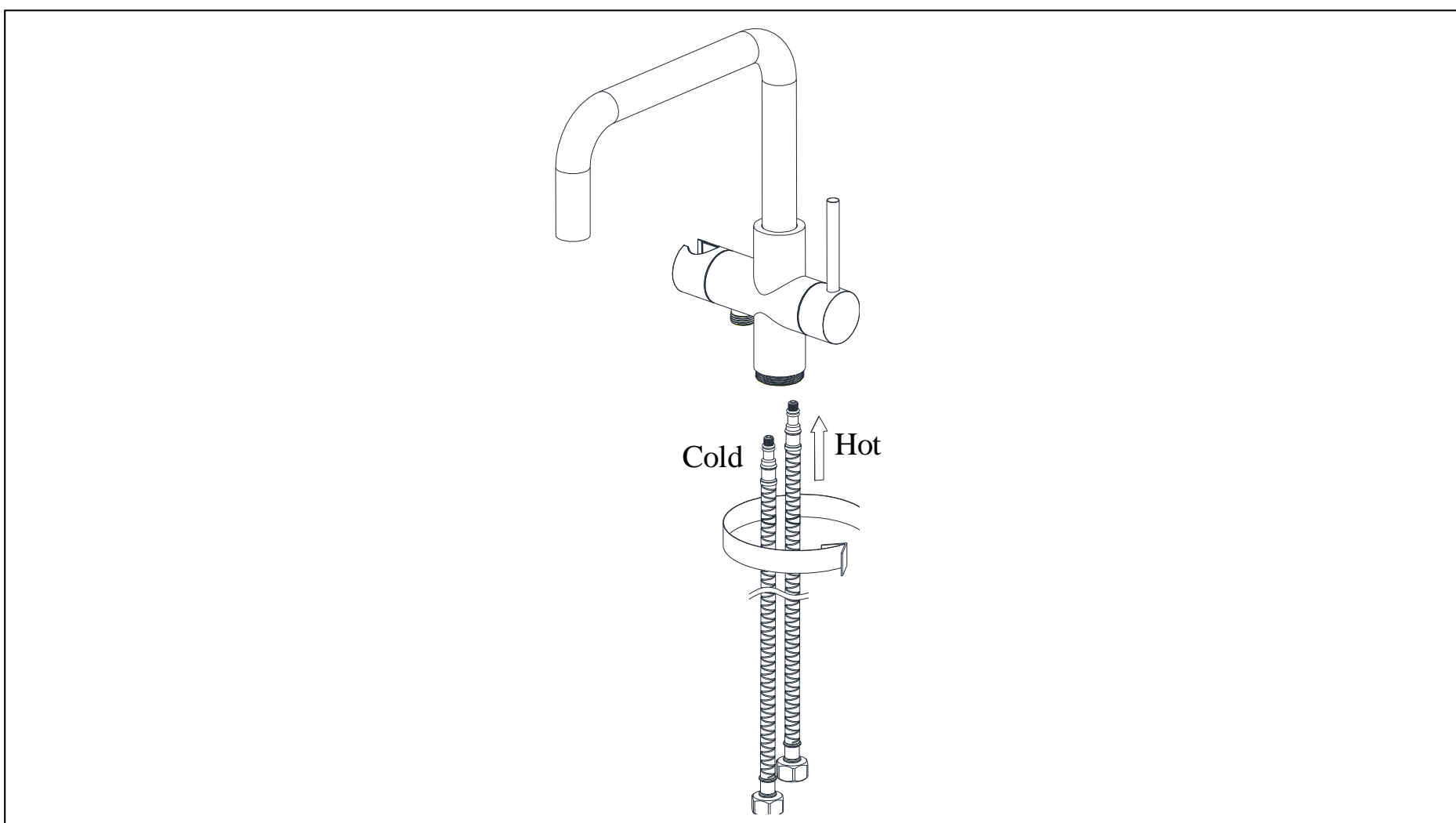
4.2 Mark the positions of the four mounting screw holes on the support board with a pencil.



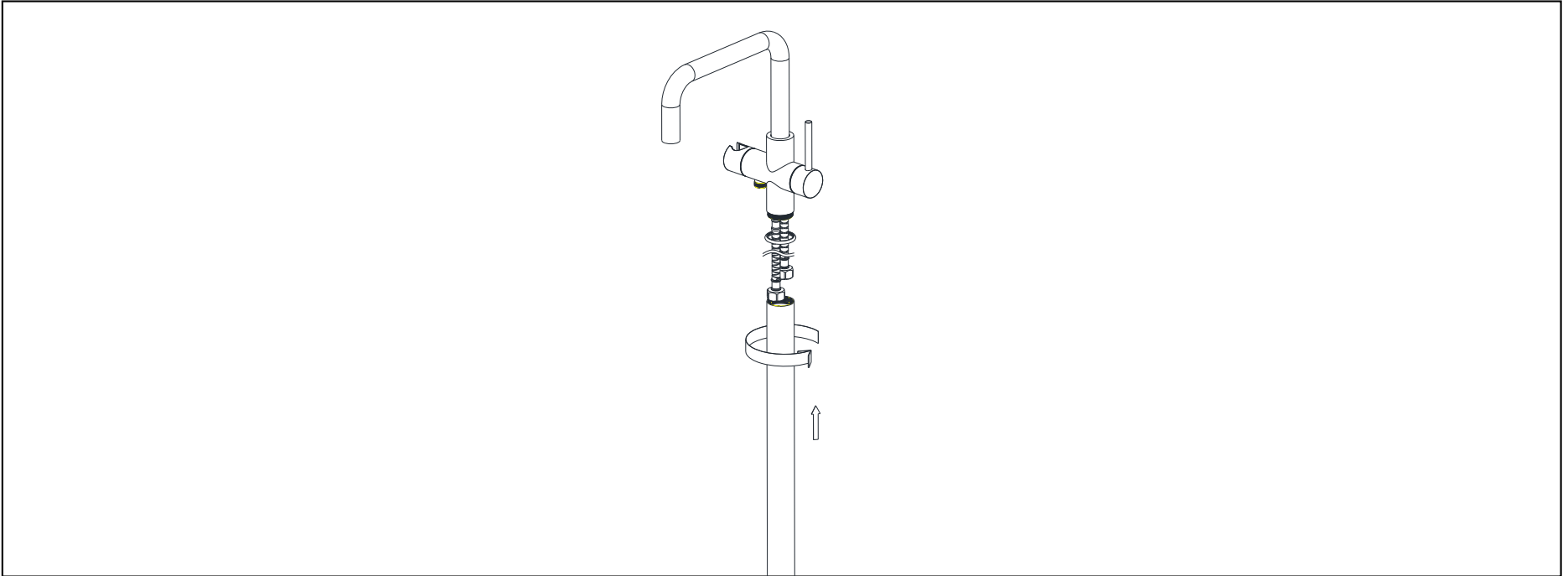
4.3 Use an electric drill to drill four 5/32-inch [4mm] diameter holes at the marked locations.



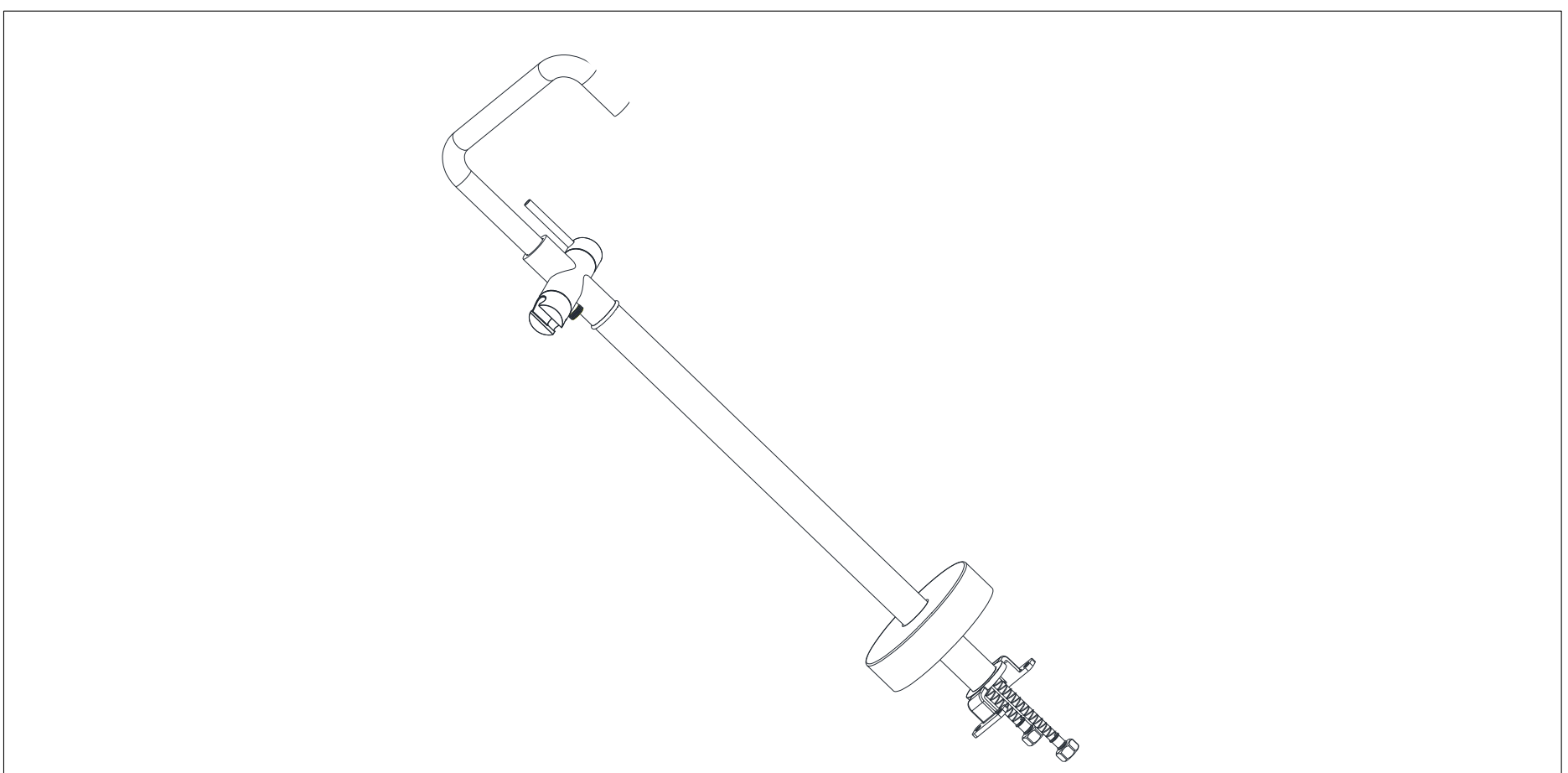
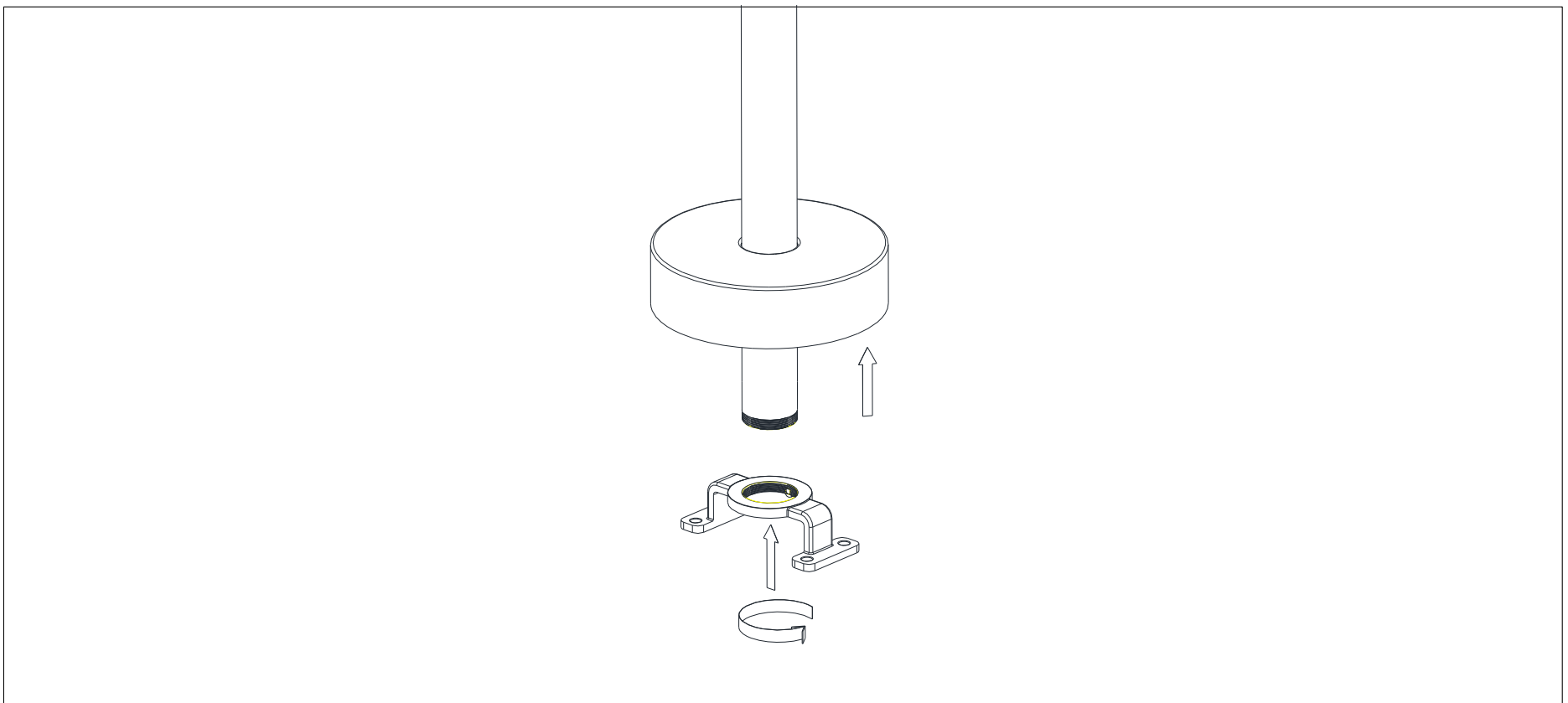
4.4 Install the hot and cold water inlet hoses to the faucet body.



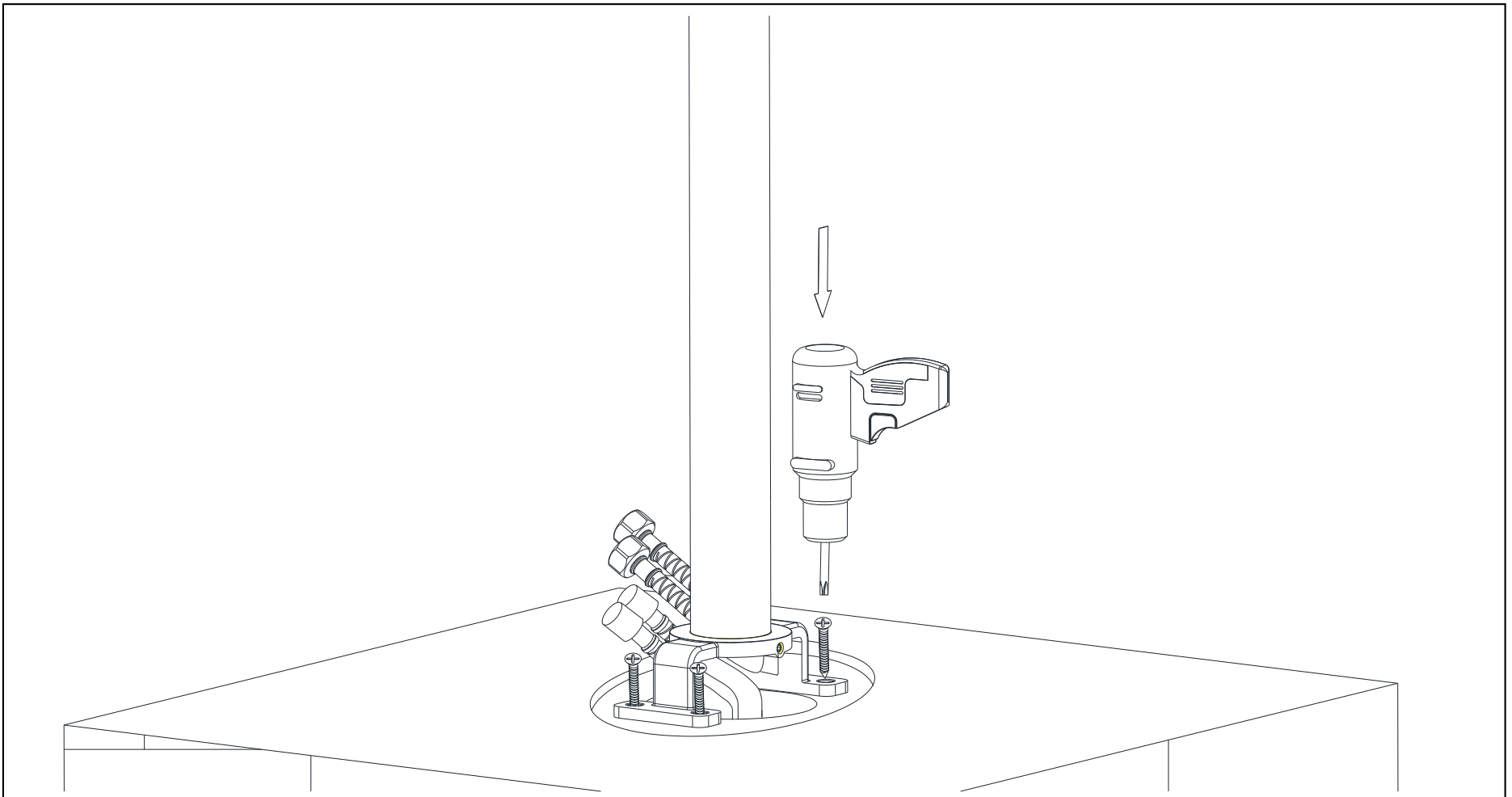
4.5 Begin by threading the hot and cold water supply hoses through the straight pipe. Make sure to offset the nuts on the supply hoses to avoid interference and ensure a smooth fit through the straight pipe. Once the hoses are in place, securely tighten the straight pipe onto the faucet body.



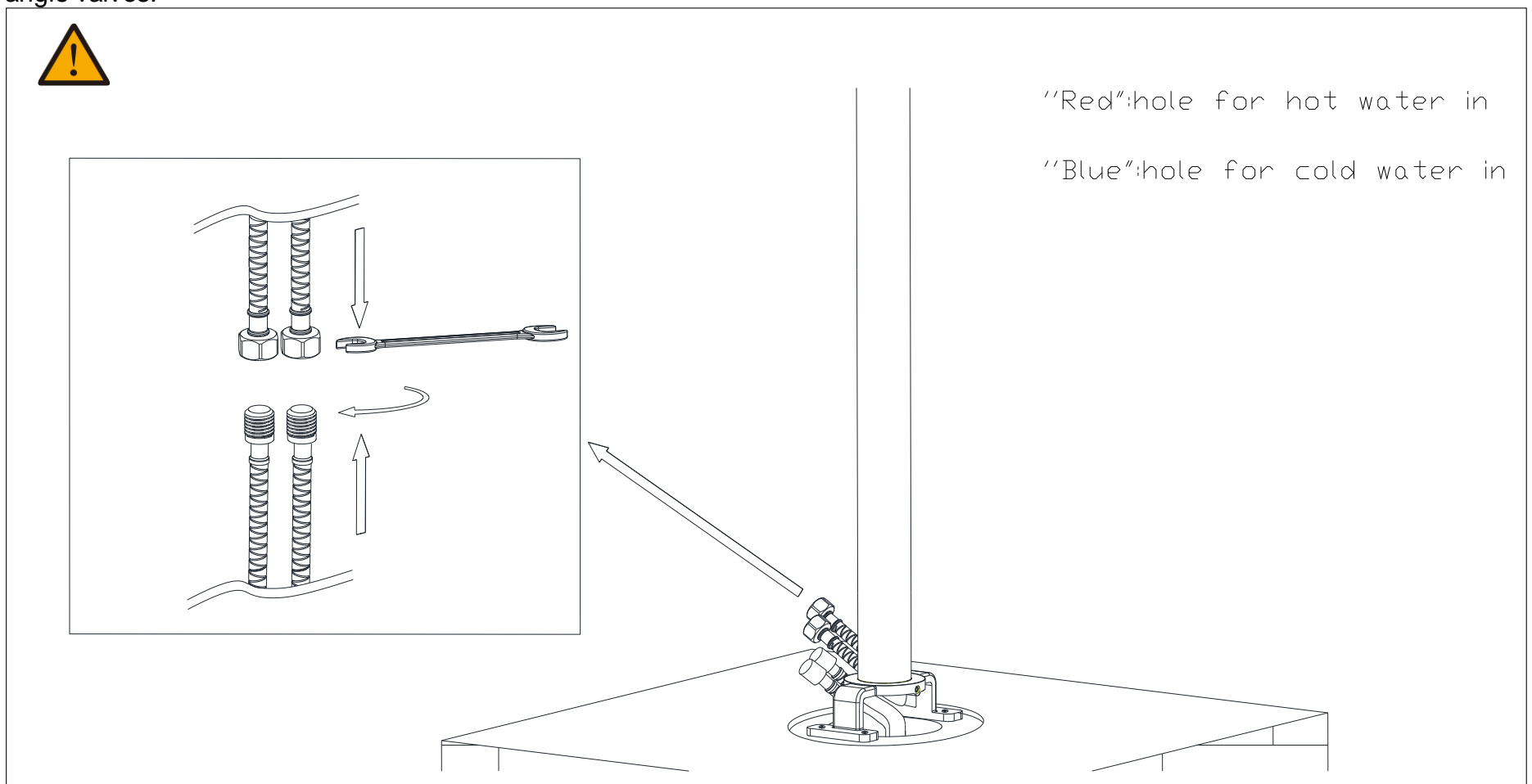
5. Slide the flange cover up from below onto the straight pipe, then rotate and tighten the base bracket's threads onto the straight pipe's threads.



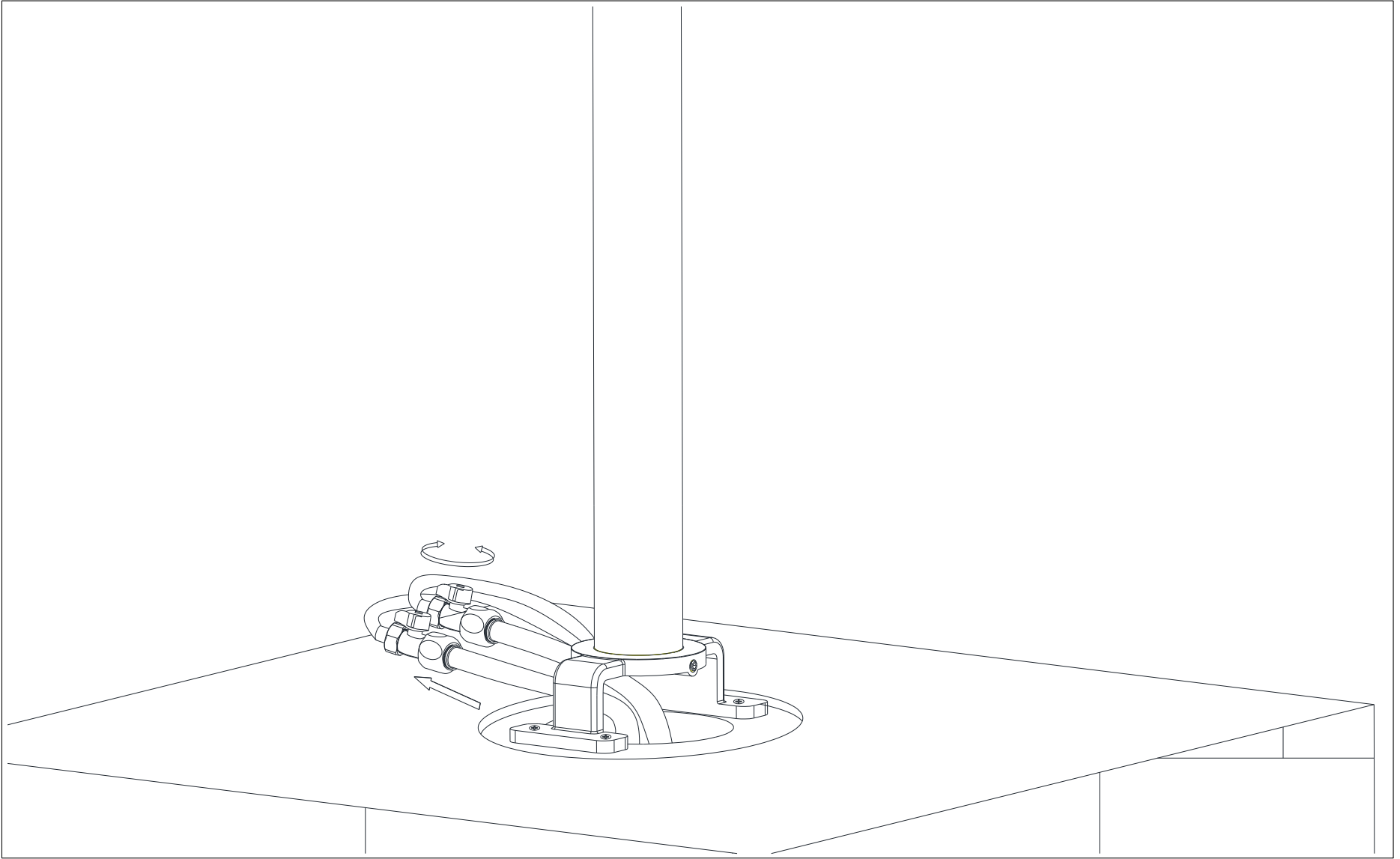
5.1 After assembling the faucet, first set aside the hot and cold inlet and outlet hoses of the faucet and the two extension tubes to the side, then put down the entire faucet bracket aligned with the mounting holes, and secure the faucet bracket with screws using an electric drill.



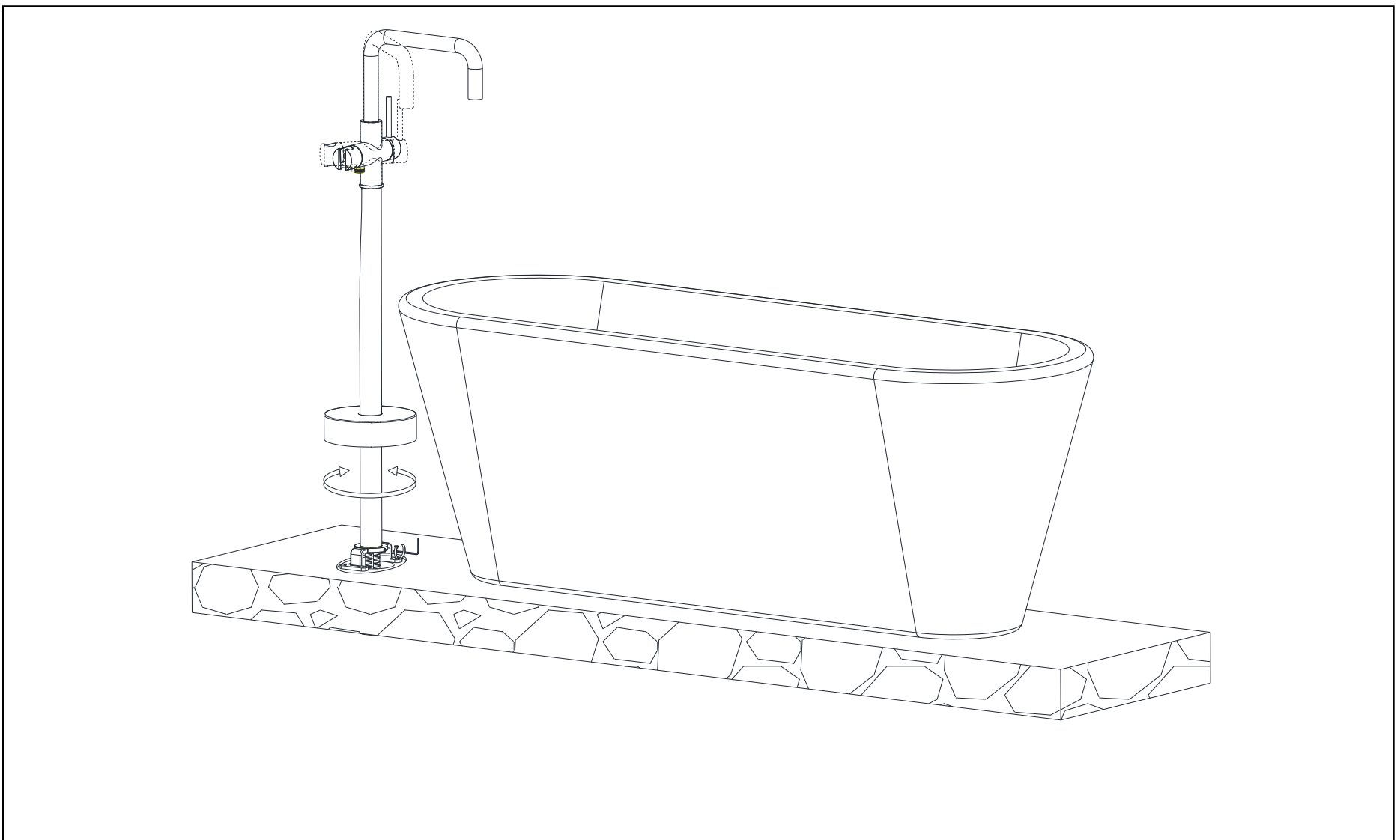
5.2 First, remove the G1/2 external thread protective covers from the two extension tubes. Then, connect the hot and cold water supply hoses to the extension tubes and tighten the nuts with a wrench. (Helpful Tip: For guidance on connecting the water supply hoses and extension tubes, refer to the diagram on the left.) Additionally, the extension tubes are optional, if they are not needed for the actual installation, you can omit this accessory and connect the bathtub faucet's hot and cold water supply hoses directly to the angle valves.



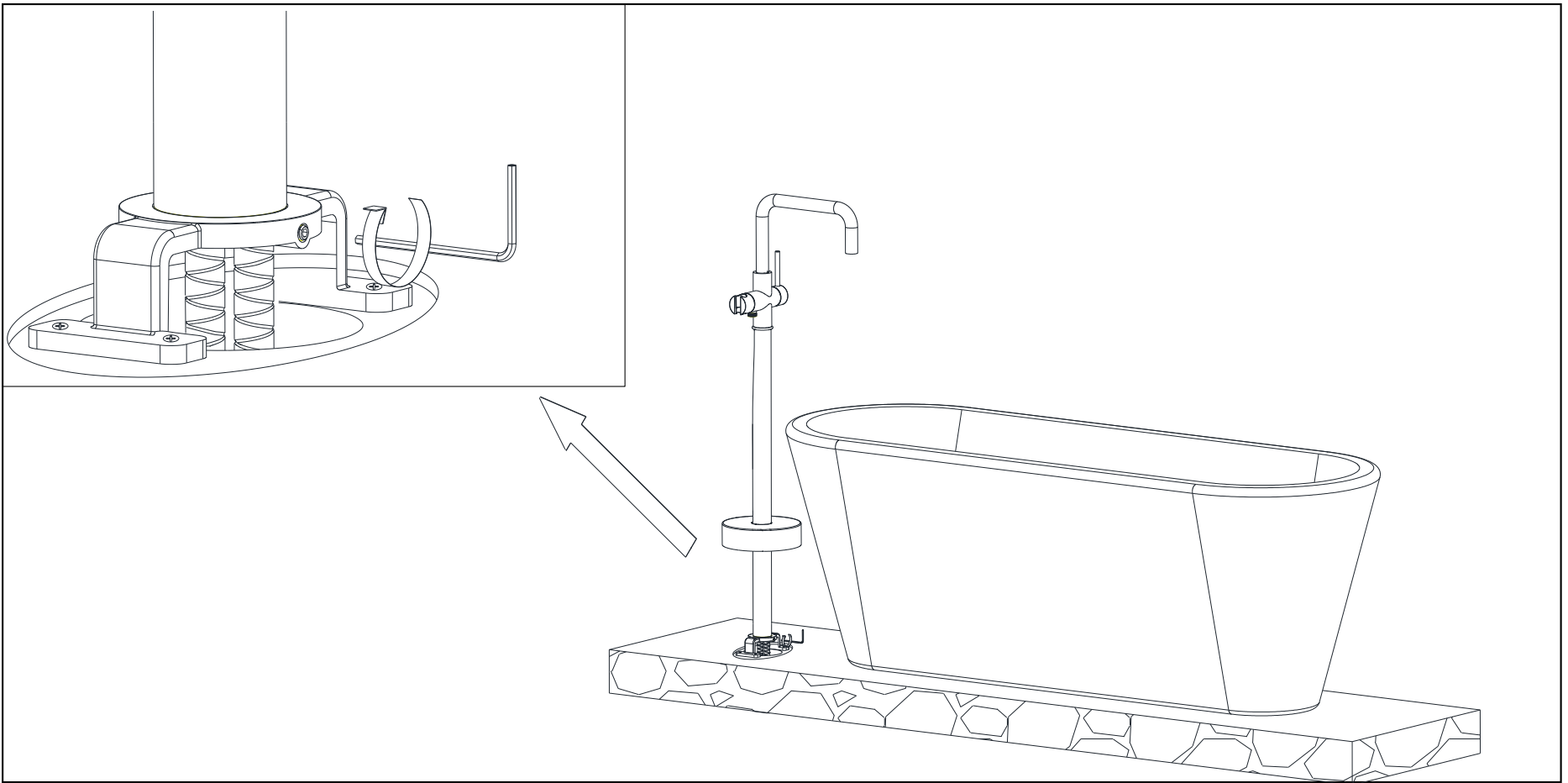
5.3 After making the connections, extend the angle valve, open the angle valve to turn on the water supply, recheck all connections for leaks, then retract the angle valve and supply hoses back into the support board.



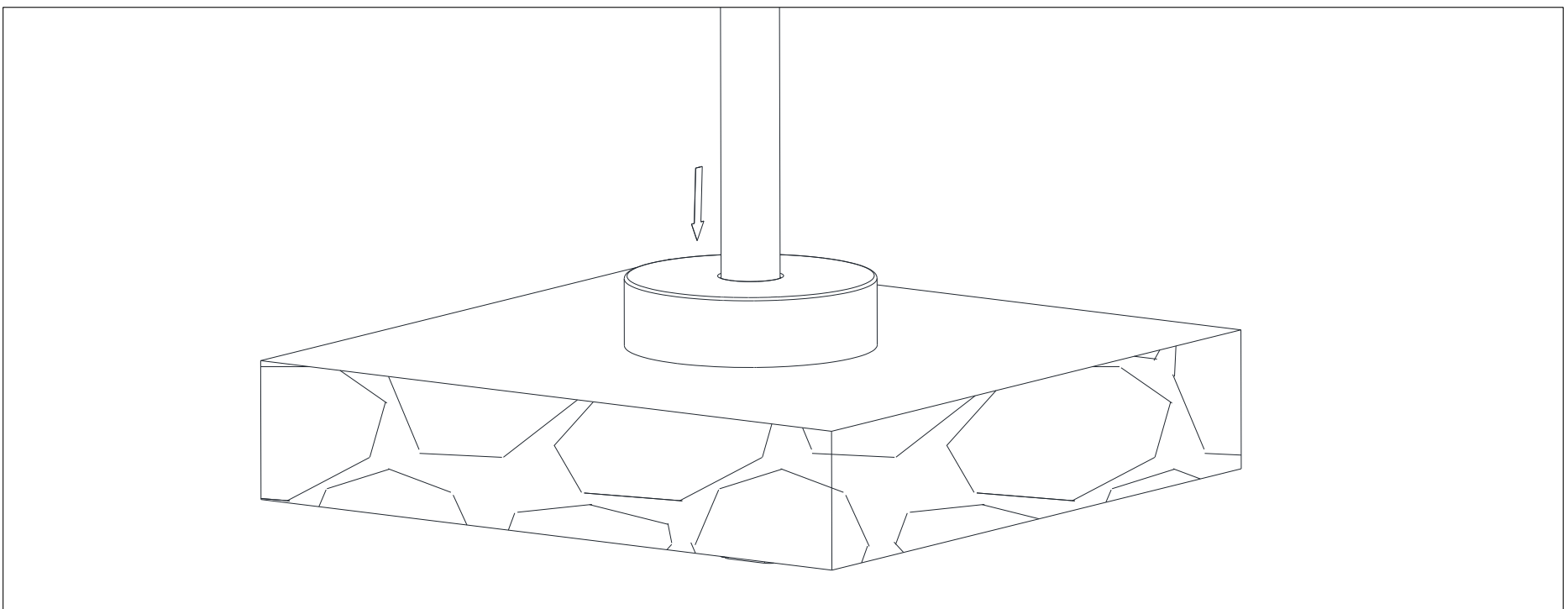
5.4 Based on the position of the bathtub, rotate the support pipe of the bathtub faucet on the base to adjust the bathtub faucet to the correct orientation.



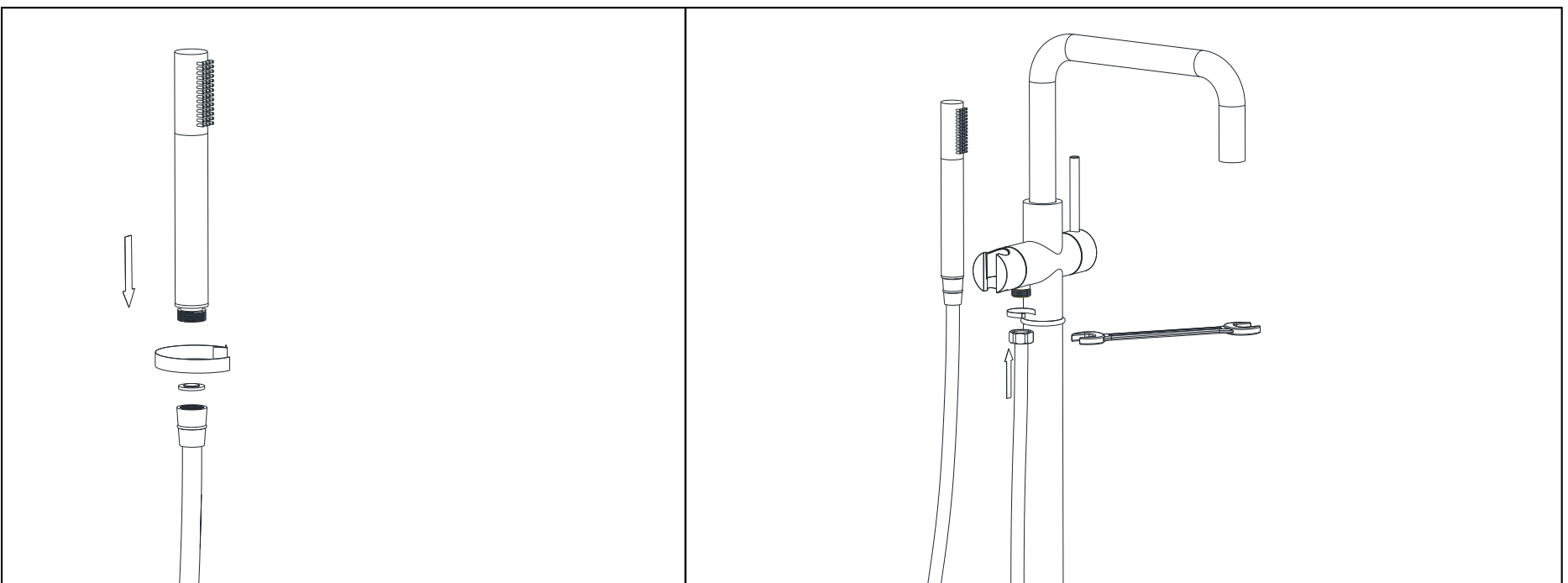
5.5. Use an Allen wrench to tighten the set screws on the base to secure it to the straight tube.



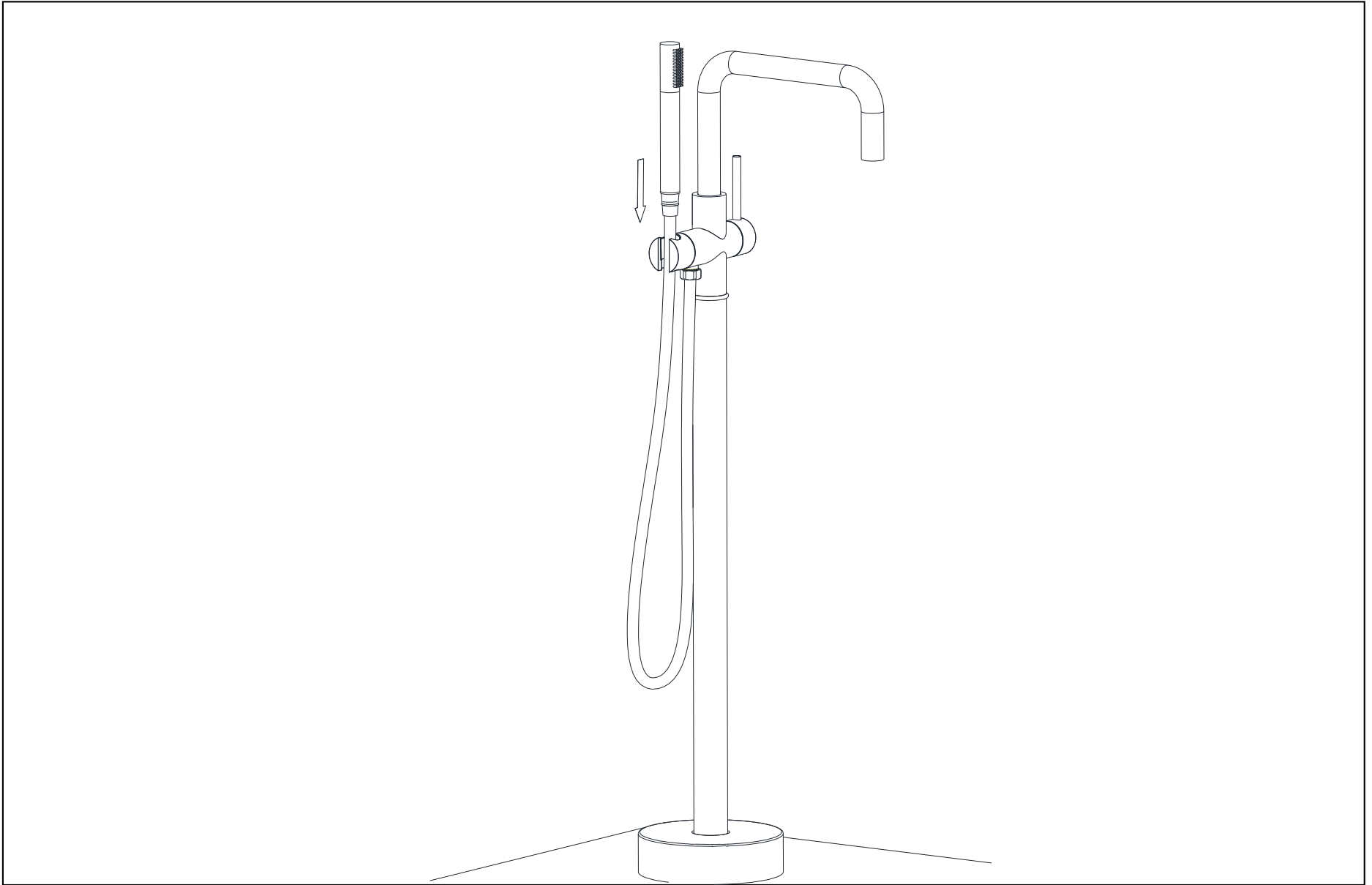
5.6 Push the escutcheon down until it is flush with the floor, and ensure a waterproof seal at the junction between the escutcheon and the floor.



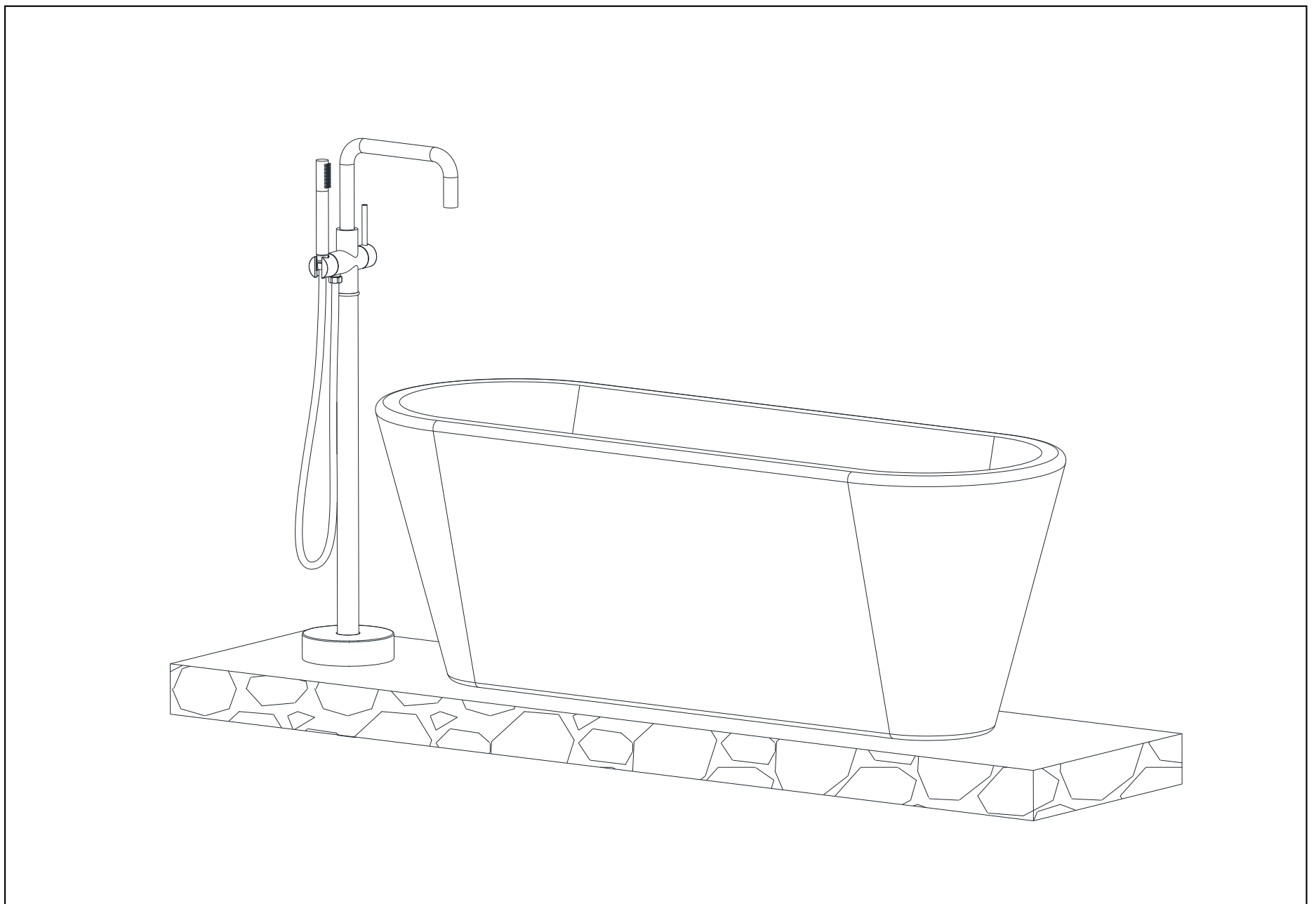
5.7 Connect one end of the shower hose to the handheld shower adapter and the other end to the faucet, then tighten the nuts with a wrench.



5.8 Insert the handheld shower into the holder.

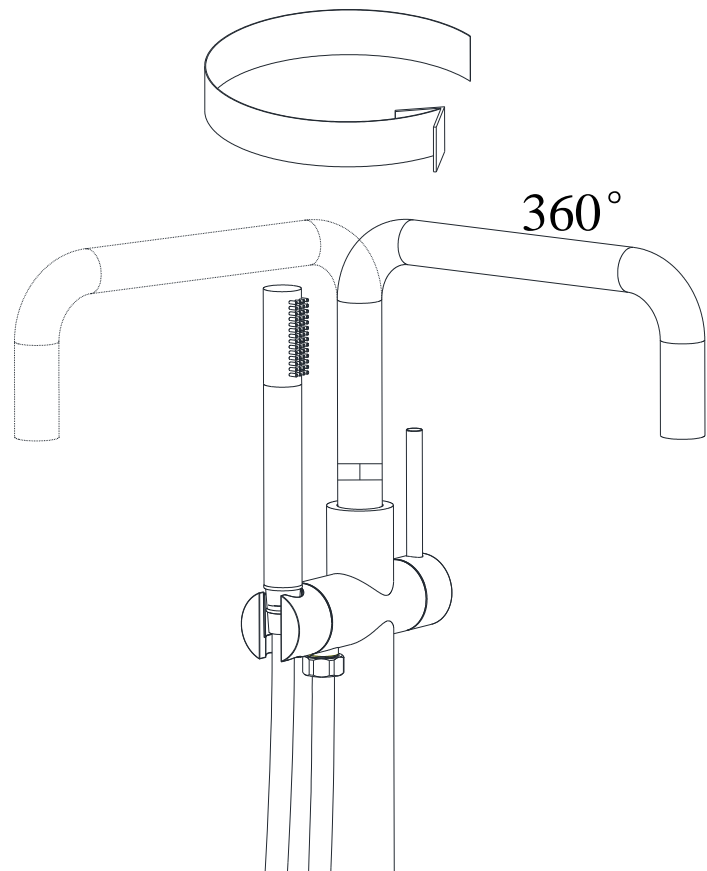


5.9 ASSEMBLE FINISHED

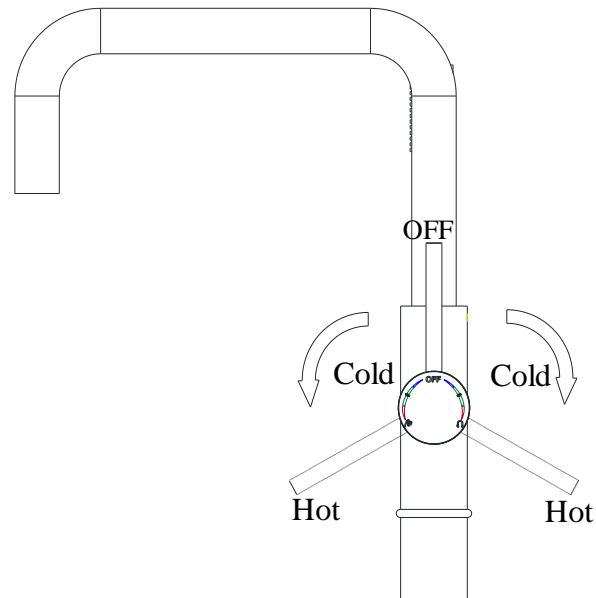


6. Instructions for using the faucet.

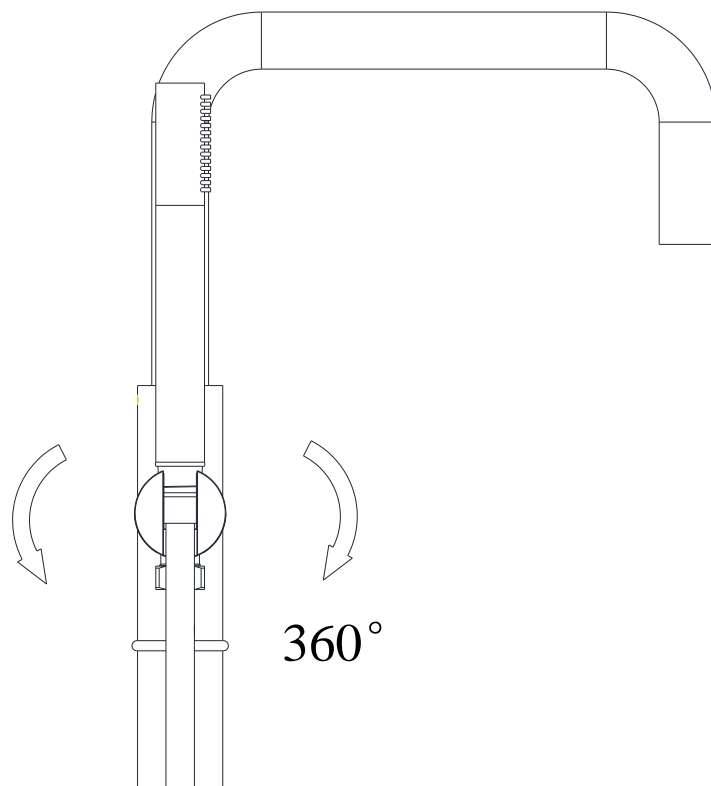
(1) The spout elbow is capable of 360-degree rotation.



(2) Turning the handle downward from the left activates the hand shower, starting with cold water, then mixing to warm water, and finally to hot water, with the flow rate increasing and then decreasing. Turning it downward from the right activates the spout, also starting with cold water, then mixing to warm, and ending with hot water, with the flow rate increasing and then decreasing.



(3) The hand shower holder is capable of 360-degree rotation.



7. INSPECTION

7.1 Turn on hot and cold water supply and check all connection for ensuring no leaking anywhere.

INSTALLATION FINISHED

CLEANING RECOMMENDATION FOR SUMERAIN PRODUCTS

Modern lavatory faucets, kitchen faucets, and showers are built using a wide variety of materials to cater to the market's demands for design and functionality. To avoid damage and potential returns, adhering to specific cleaning guidelines is crucial.

Cleaning Materials for faucets & showers

When cleaning faucets and showers, it is important to consider the following professional terms:

- Acidic cleaning agents are essential for lime removal.
- Ensure to use only cleaning agents that are specifically designed for this particular application.
- Avoid using cleaning agents containing hydrochloric, formic, phosphoric, or acetic acid, as they can cause significant damage.
- Avoid mixing different cleaning agents, as this can cause harmful chemical reactions.
- Avoid using abrasive cleaning agents or tools, including unsuitable cleaning powders, sponge pads, or microfiber cloths that could damage the surface.

Cleaning instructions for faucets & showers

Please follow the cleaning material manufacturer's instructions. In addition, pay attention to the following points:

- Clean faucets and showers regularly as needed to maintain their optimal function and appearance.
- Apply the recommended amount of cleaning product for the specified duration. Be sure not to leave the cleaner on the faucets longer than necessary to avoid potential damage.
- Regular cleaning can help prevent calcification. If you notice scale deposits on the faucet surface or spout, use a commercial descaler such as Lime-Away® or CLR®.
- In case of rust formation due to hard water conditions, gently abrade the affected area with aluminum foil soaked in water until the surface is smooth. Subsequently, apply a modest amount of chrome polish or a suitable product like automotive wax (for instance, Meguiar's®, Turtle Wax®) to buff the surface.
- Solid stainless steel faucets and spouts, especially waterfall spouts, typically lack a protective coating. Although stainless steel is naturally resistant to tarnishing, it can oxidize over time and react to its environment. Therefore, it's crucial to keep stainless fixtures clean and dry. Use a cleaner specifically designed for stainless steel, such as Weiman® or CLR®.
- When using a spray cleaner, it is recommended that you first apply it to a soft cloth or sponge rather than spraying it directly onto the faucet. This method helps prevent water droplets from entering the faucet opening and causing potential damage.
- After cleaning, thoroughly rinse with clean water to remove any residue from the cleaner.

Important

Residues from liquid soap, shampoo, and shower gel can also contribute to damage. Therefore, it's crucial to thoroughly rinse these substances off with clean water after use.



Note: if the surface is already damaged, the application of cleaning materials might exacerbate the damage.

Components with damaged surfaces must be replaced or injury could result.

Note that any damage resulting from improper treatment is not covered by the warranty.

SUMERAIN®

SUMERAIN INTERNATIONAL GROUP INC

Address: 1226 NORTH KING ST NUM 522
WILMINGTON, DE 19801
United States

Tel: +1(866)203-0866

Web: <http://www.sumerain.com>

E-mail: supports@sumerain.us

HONGKONG SUMERAIN SANITARY INDUSTRY CO., LIMITED

Address: FLAT/RM 3B 3/F BANK TOWER
NOS.351&353 KING'S ROAD
NORTH POINT
HK

Tel: +86-750-2731579

E-mail: supports@sumerain.com

SUMERAIN EUROPE SUPPORT

Address: Flottwellstr. 15
10785 Berlin,
Deutschland

Tel: +49 (0)30/23975898

E-mail: de@sumerain.com