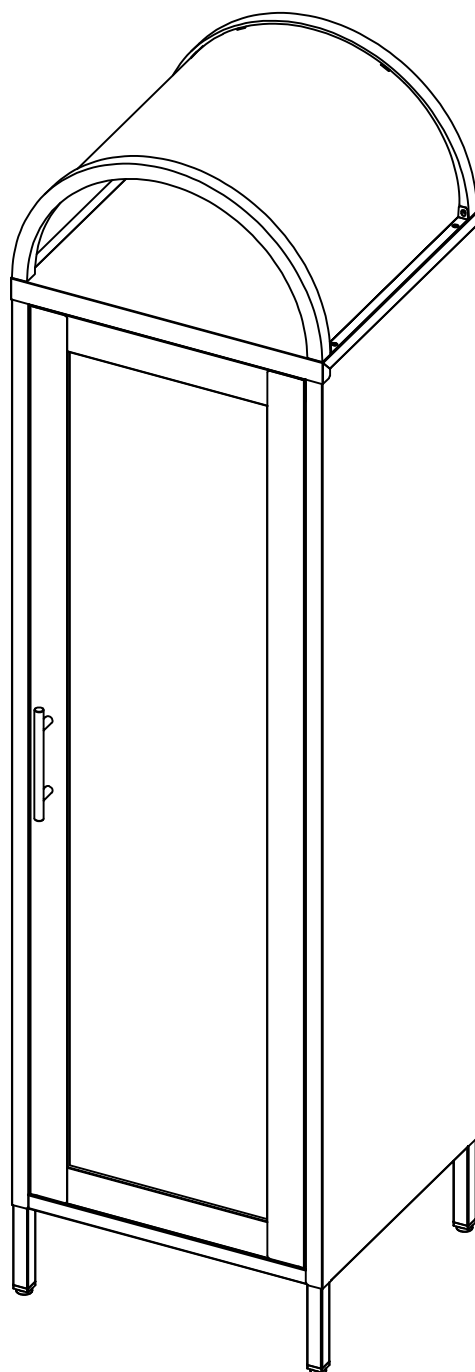
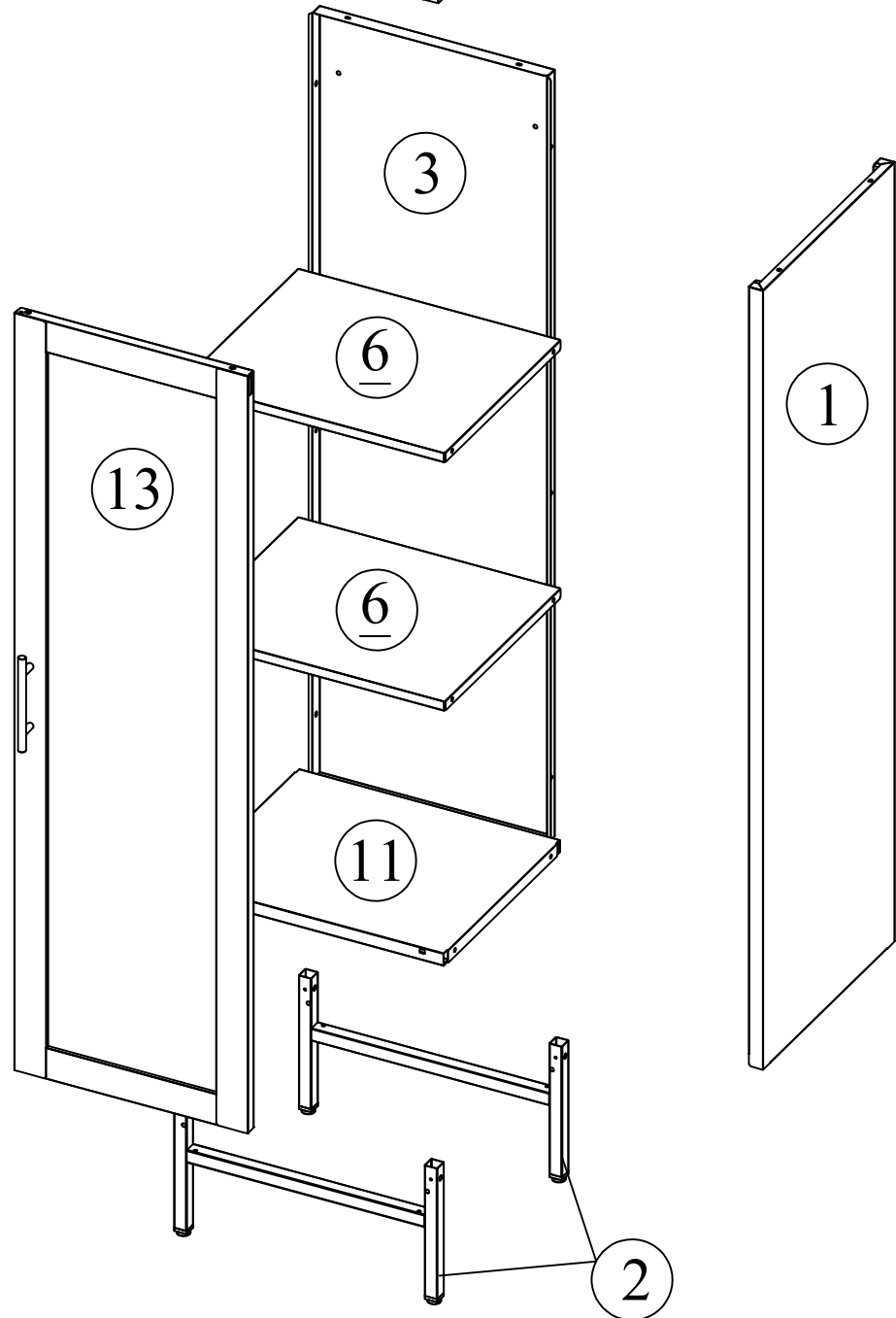
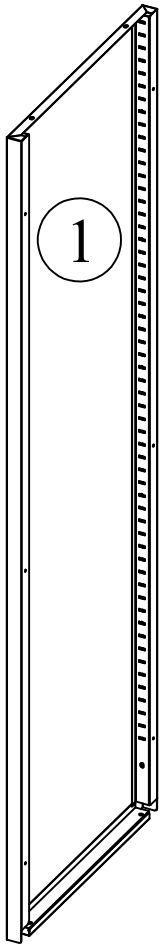
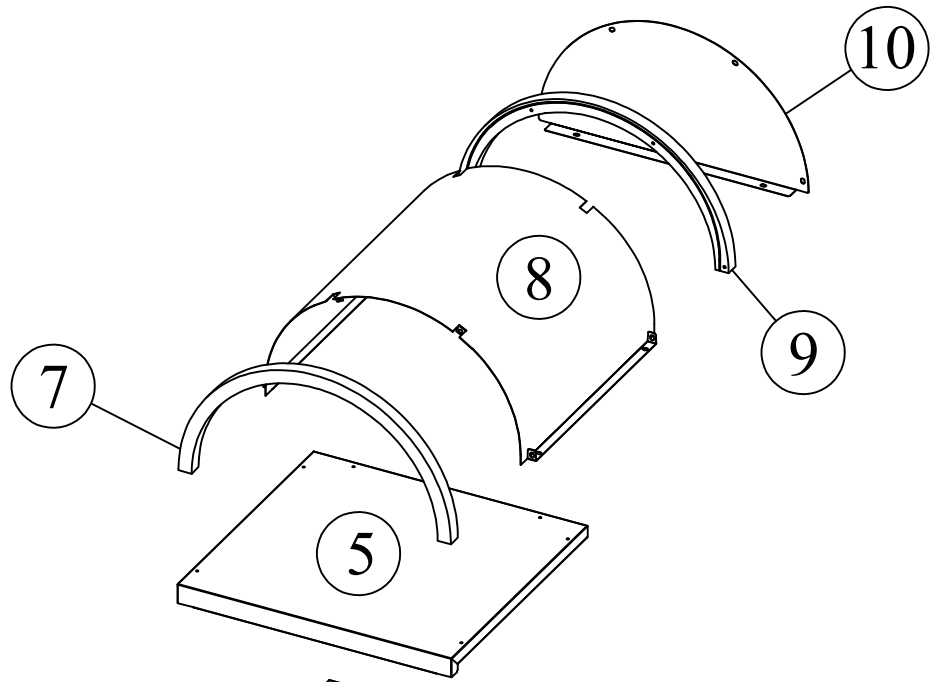
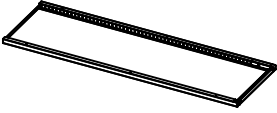

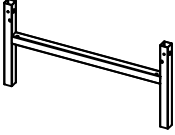
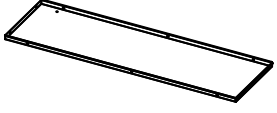
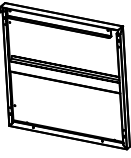
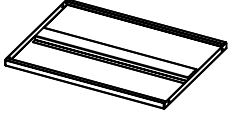

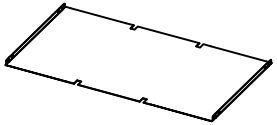

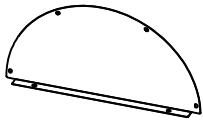
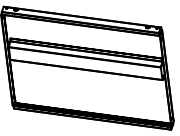


Assembly Instructions


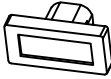

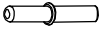
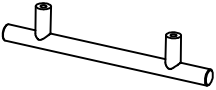

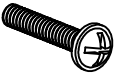

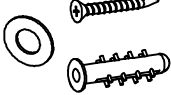




Accessories

Name		Picture	Qty	Name		Picture	Qty
1	Side panel		2	13	Right door		1
2	Kick plate		2				
3	Back panel		1				
5	Top panel		1				
<u>6</u>	Shelf		2				
7	Dome front tube		1				
8	Dome panel		1				
9	Dome back tube		1				
10	Dome back panel		1				
11	Floor		1				

Accessories

Name		Picture	Qty	Name		Picture	Qty
A	13/32 Screw		26	J	Magnet		2
D	Shelf clasp		8	K	Door pivot		1
E	The doorknob		1	L	Shim		2
F	M4*22 screw		2	N	M5*10 black screw		8
I	Expansion screw		2				



CAUTION

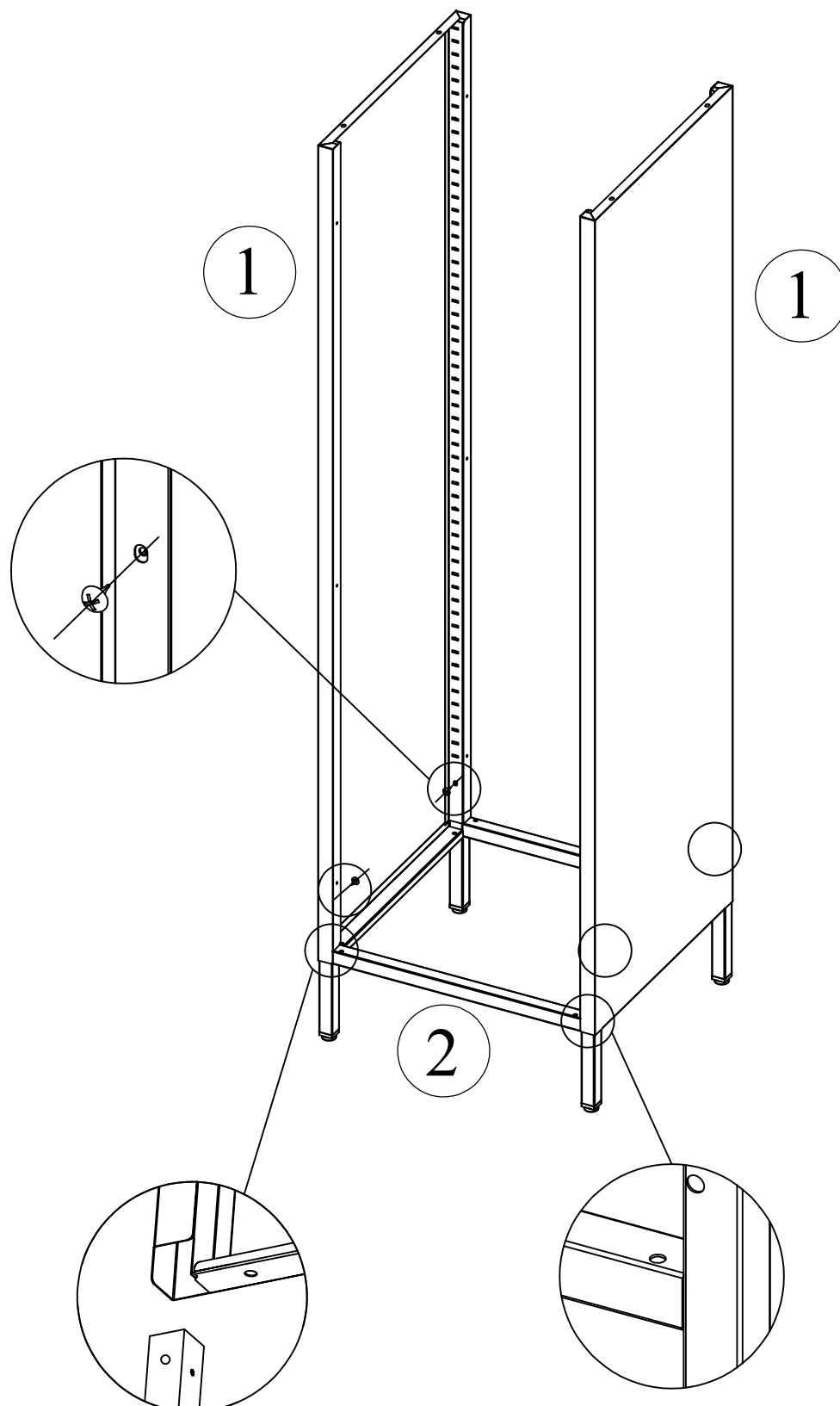
An assistant is required.

CUSTOMER FIRST, SERVICE FOREMOST!
 Questions? Issues?
CONTACT US
 REPLY WITHIN 24 HOURS IN BUSINESS DAYS

Step 1

Insert side panels 1 into kick plates 2 and fix them with screws A

Ⓐ  × 4

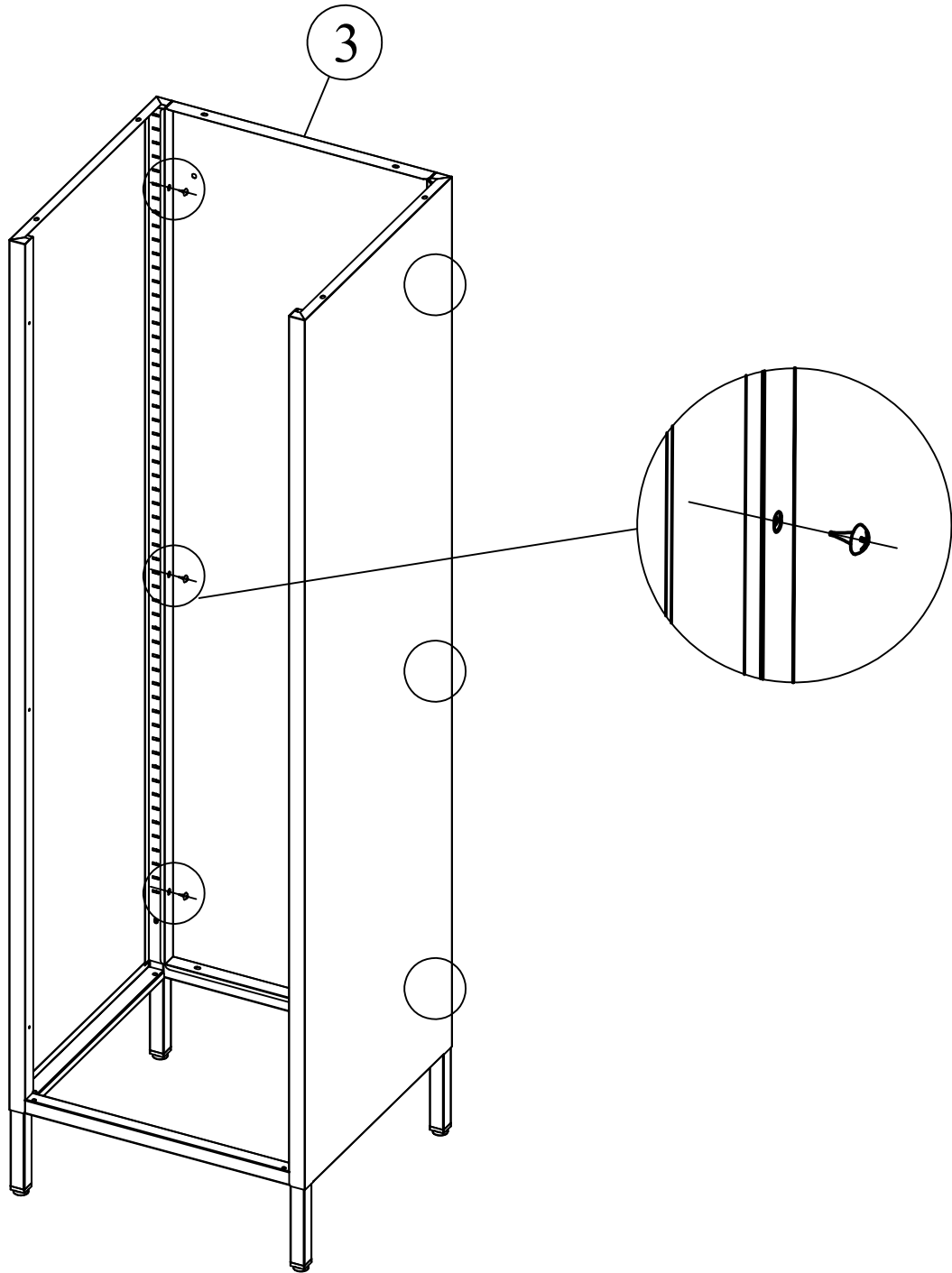


The door shaft hole is in the front

Step 2

Connect back panel 3 with side panels 1 by screws A

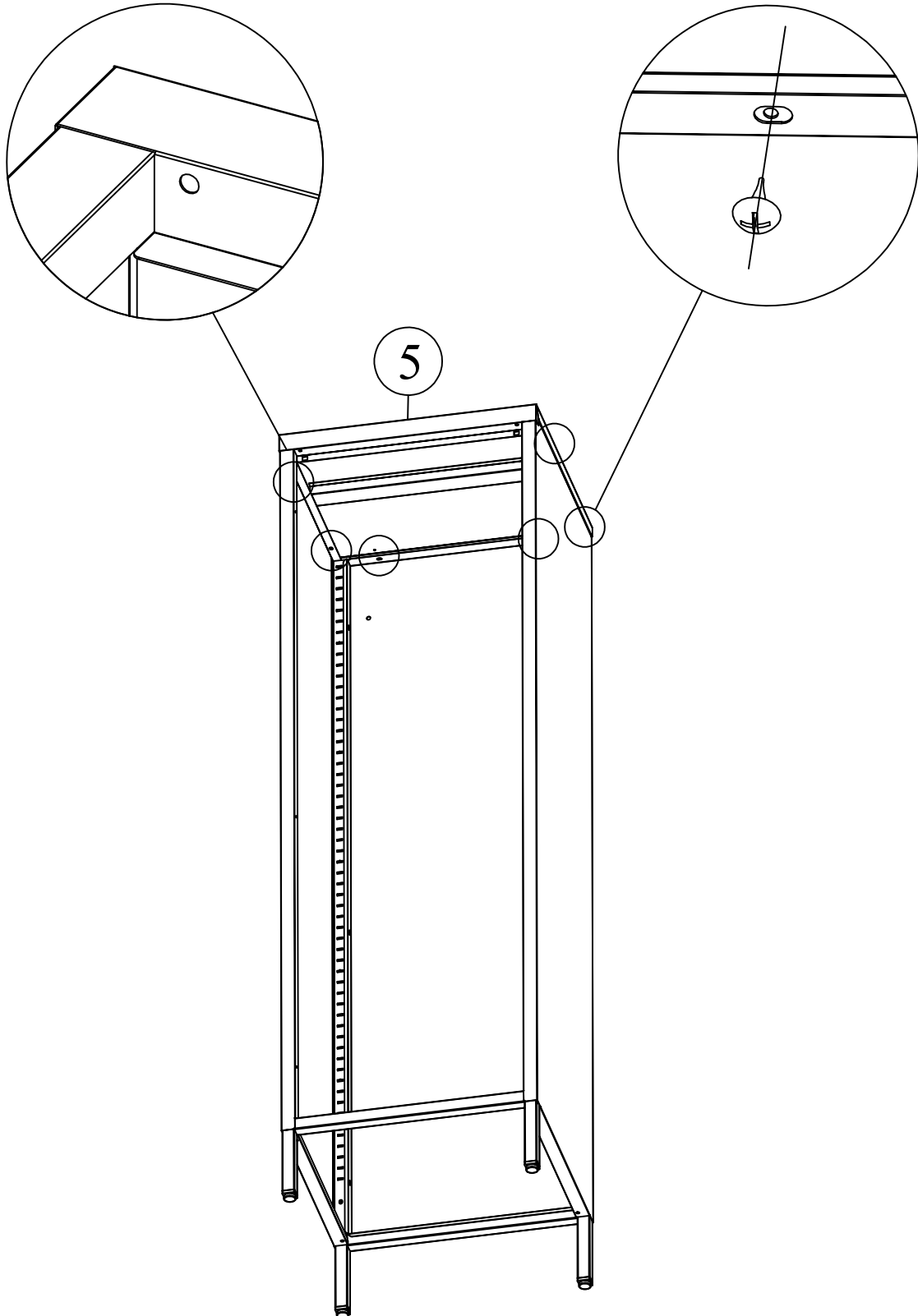
Ⓐ  × 6



Step 3

Connect top panel 5 with back panel and side panels by screws A

Ⓐ  × 6





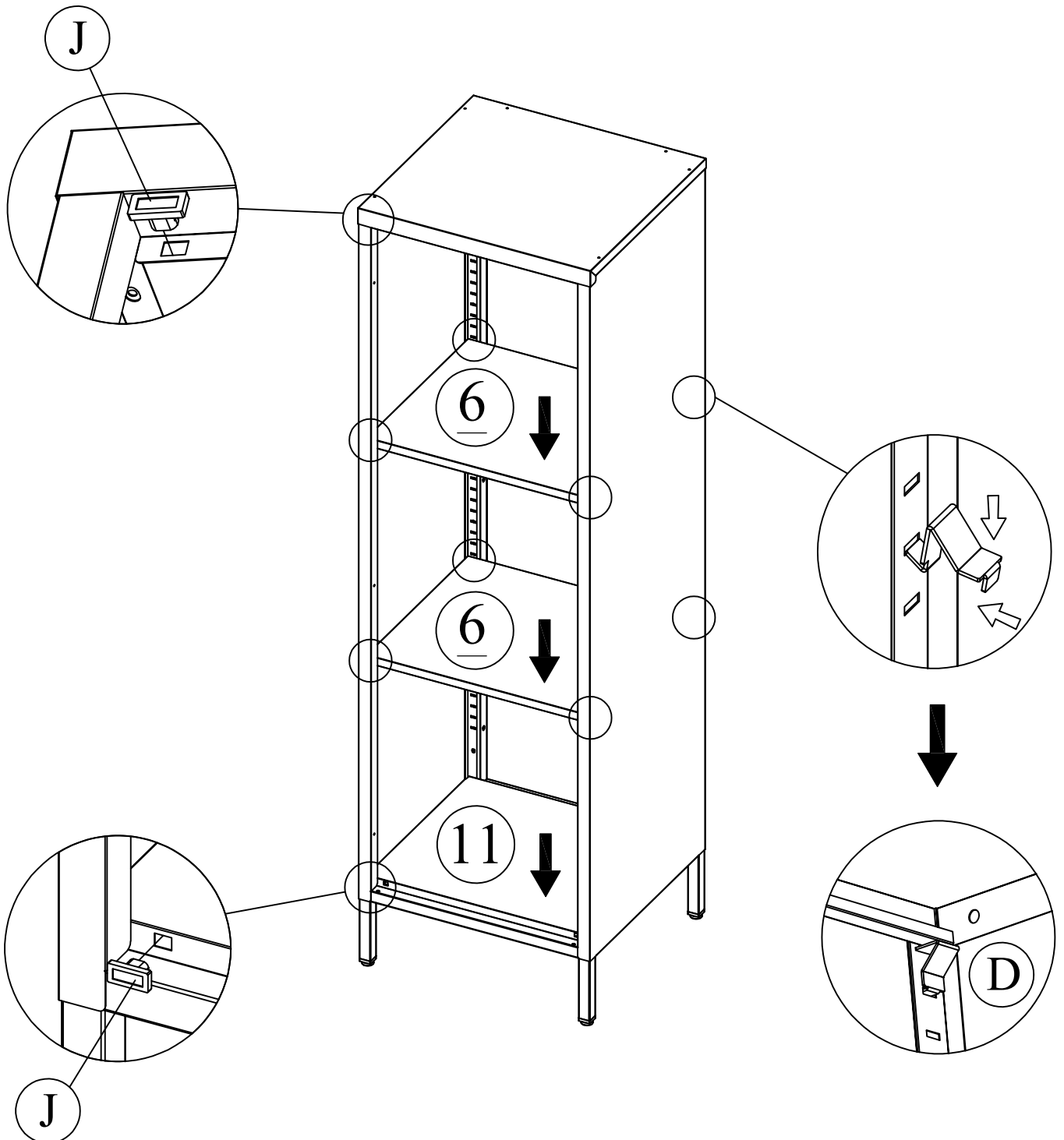
Step 4

Install the shelf clasps D and put the shelves 6 on them

Tilt floor 11 into the cabinet and press it down to snugly fit against the kick plate (No screws are needed to fix the floor)


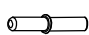





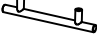
Install 2 magnets J on the top and bottom as shown below

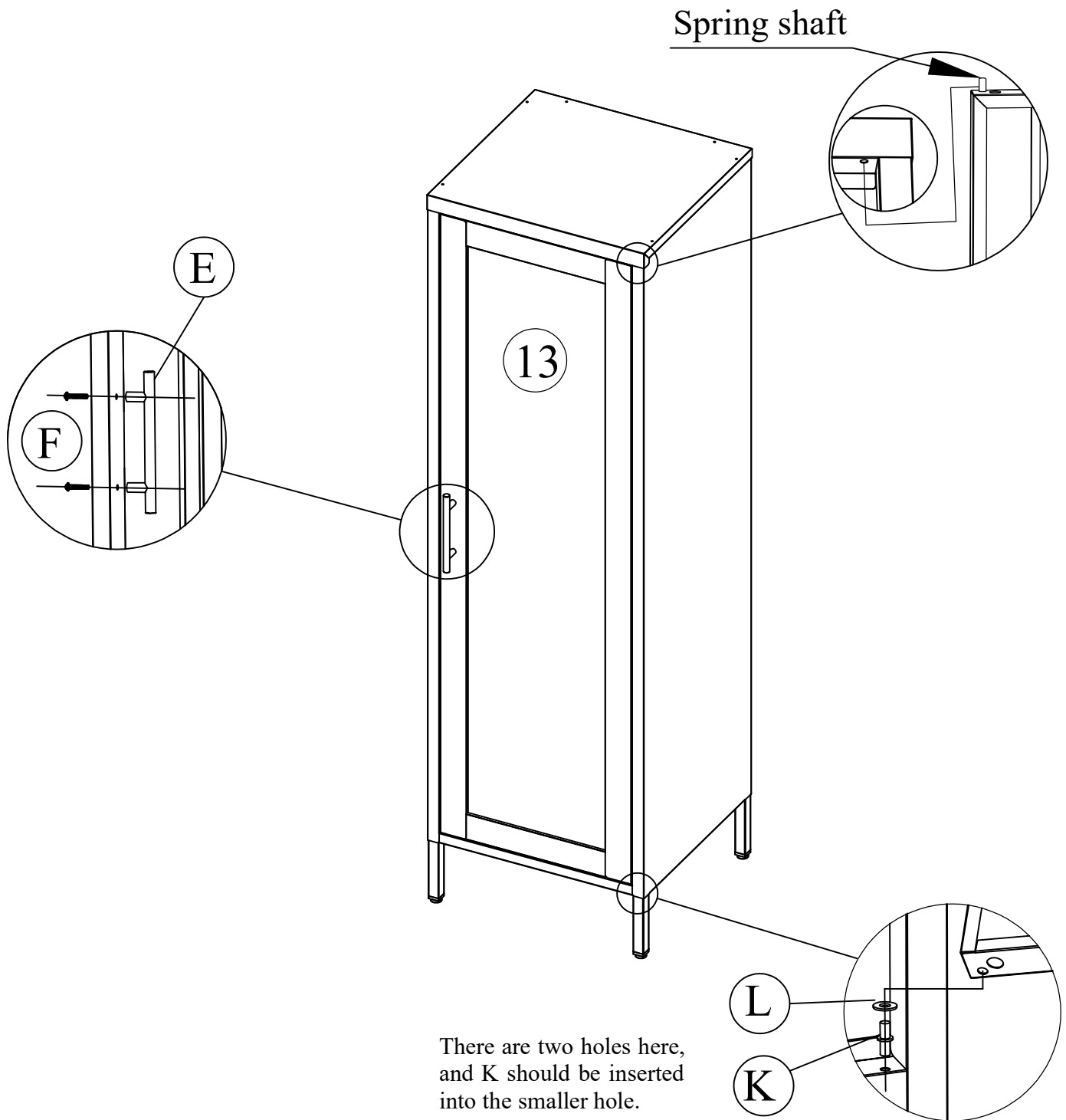
- ⓓ  × 8
- ⓐ  × 2



Step 5

Insert the door pivot K into the hole of the bottom corner (shims L can be used to adjust), then insert the door into the door pivot on the bottom and adjust the spring shaft on the top. Install the doorknob E on the door with screws F.

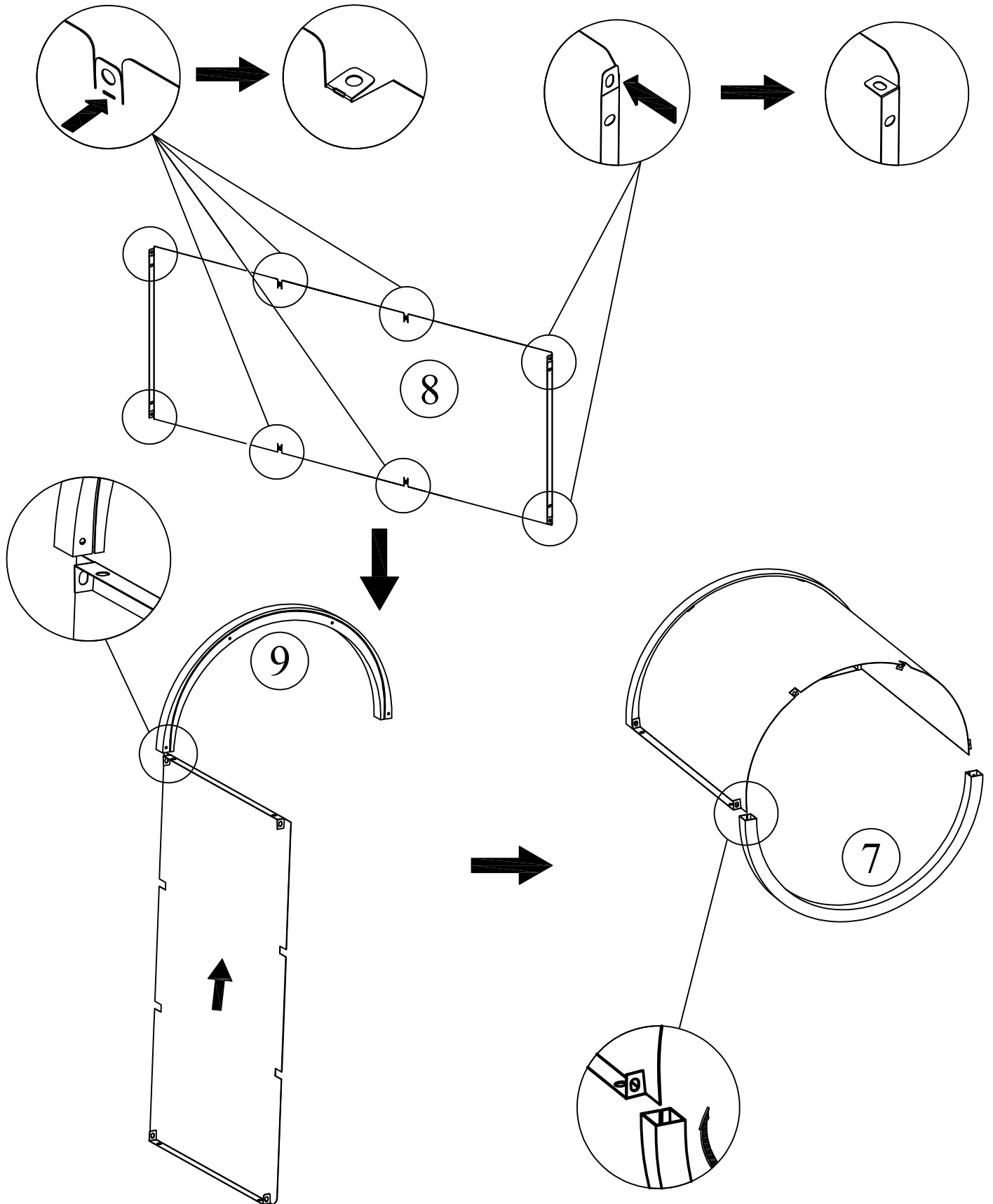
-  K  L × 1
-  L  L × 2
-  F  F × 2
-  E  E × 1



Step 6

Fold all the small parts on dome panel 8 towards the middle for 90 degree

Insert dome panel 8 into dome back tube 9 and dome front tube 7



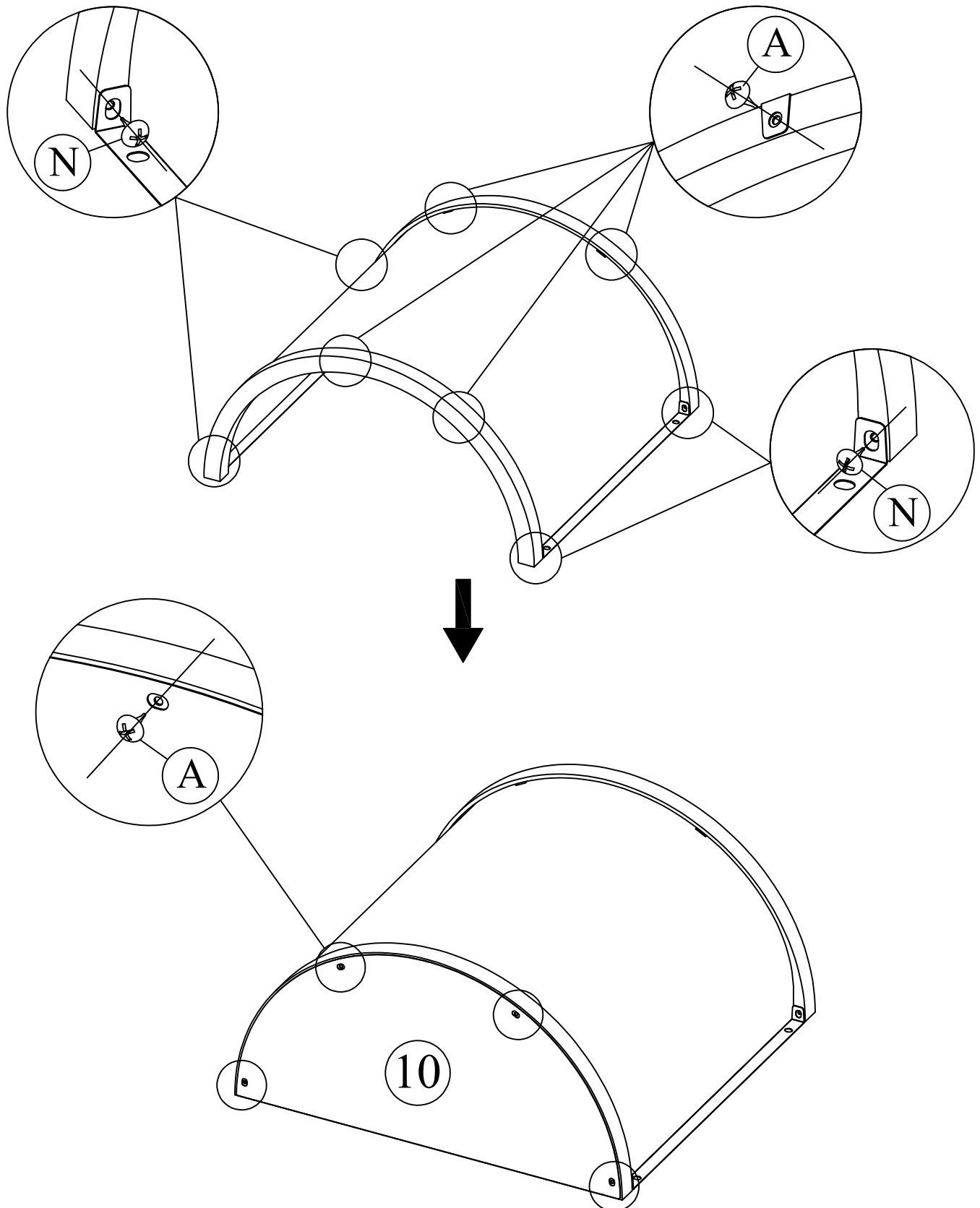
Step 7

Fix the dome panels and tubes with 4 screws
A and screws N in the middle and ends

(A)  × 8

Fix the dome back panel 10 with 4 screws A

(N)  × 4

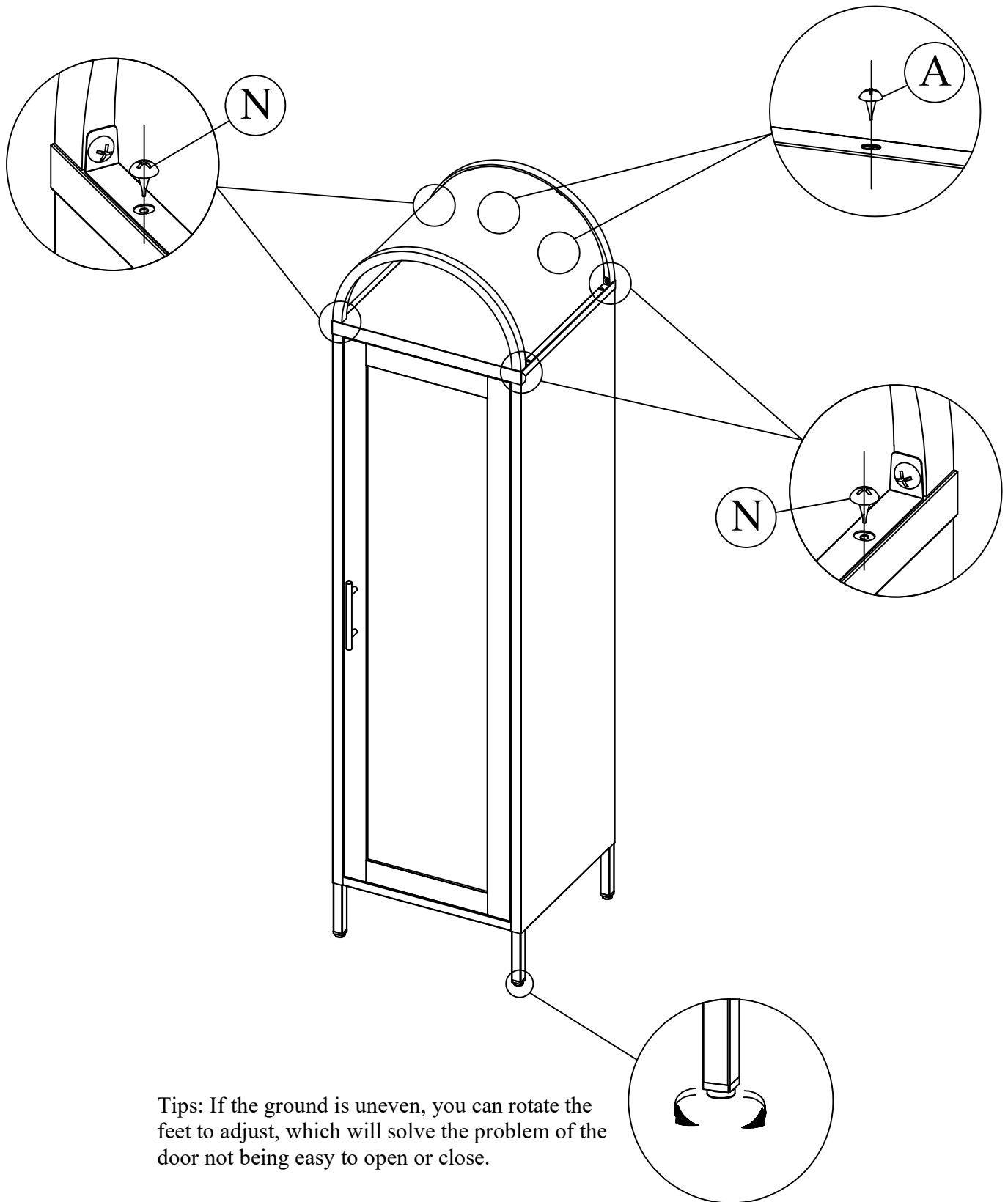


Step 8

Fix the dome on the top of the cabinet with screws A and N, then adjust the feet of the cabinet as your needs

(A)  × 2

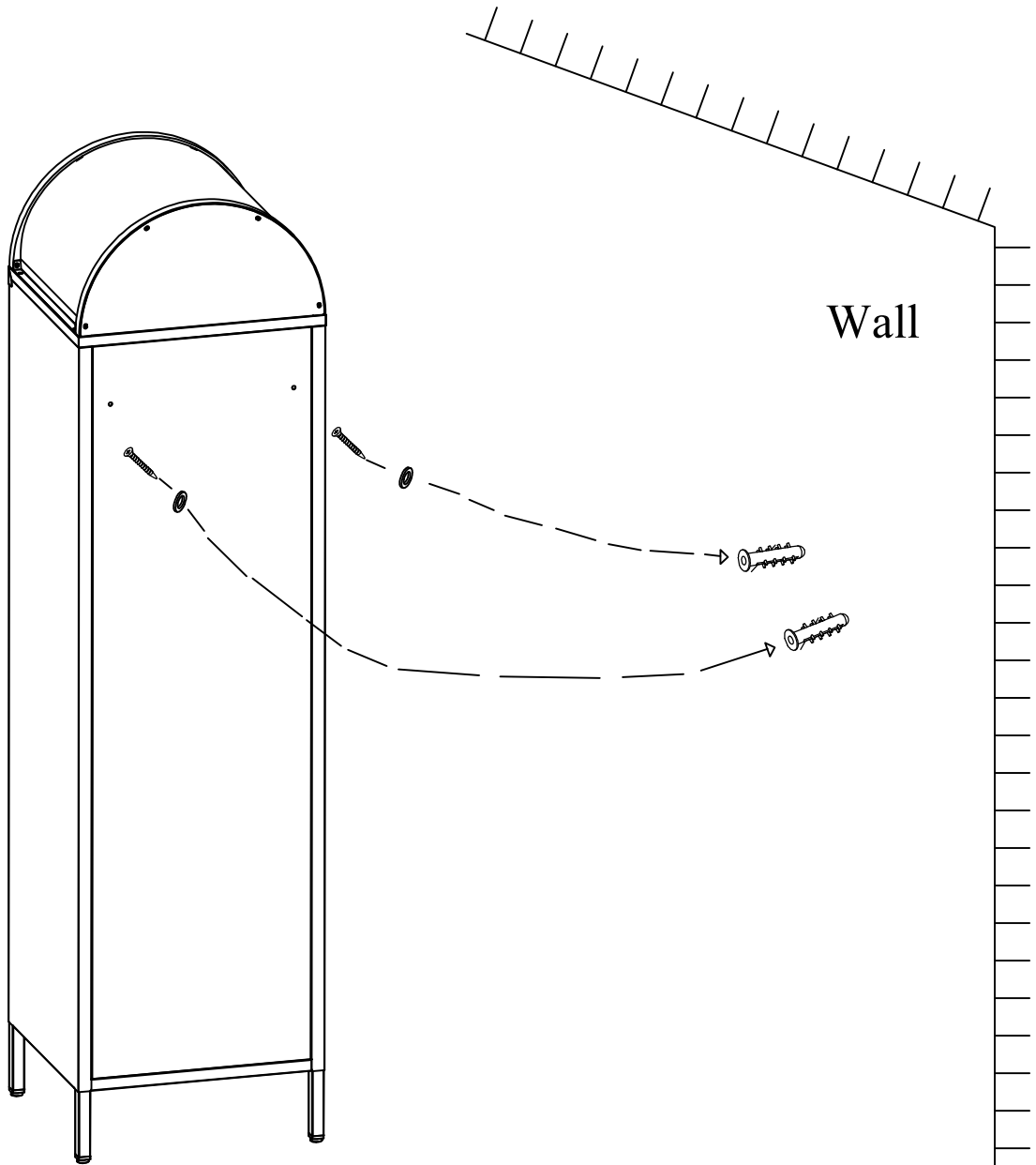
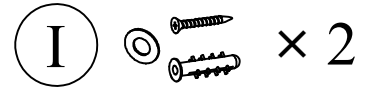
(N)  × 4



Tips: If the ground is uneven, you can rotate the feet to adjust, which will solve the problem of the door not being easy to open or close.

Step 9

Fix the cabinet to the wall with screws I to prevent tipping



 **DANGER**



Always secure this furniture with an anchor device.

Unsecured furniture can cause serious injury or death to children.

Never allow children to stand, climb or hang on drawers, doors or shelves.

Never open more than one drawer or door at a time.

Place the heavy items on the lower position.

Never place a television on this furniture.

This is a permanent label. Do not remove!