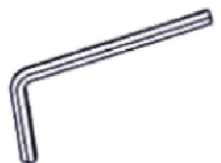
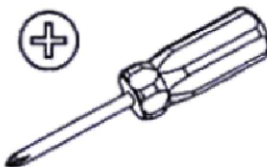
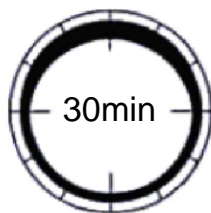
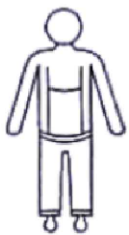
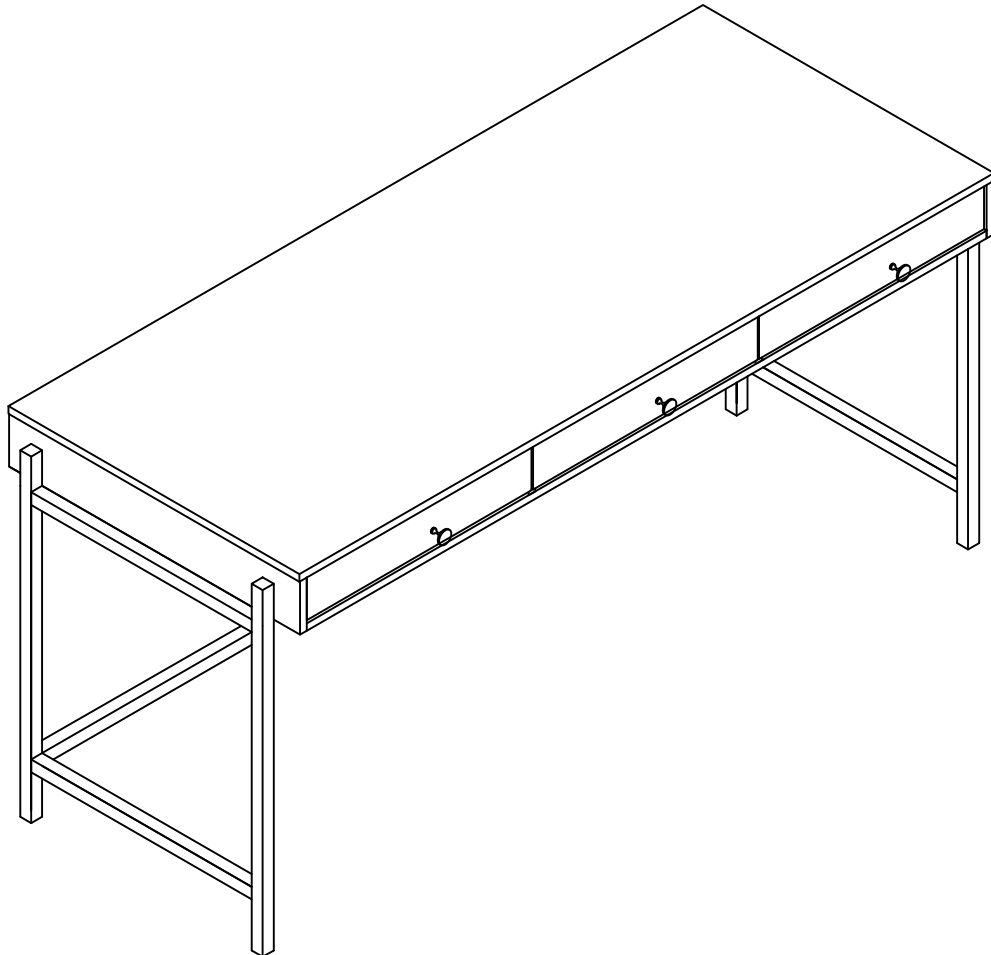







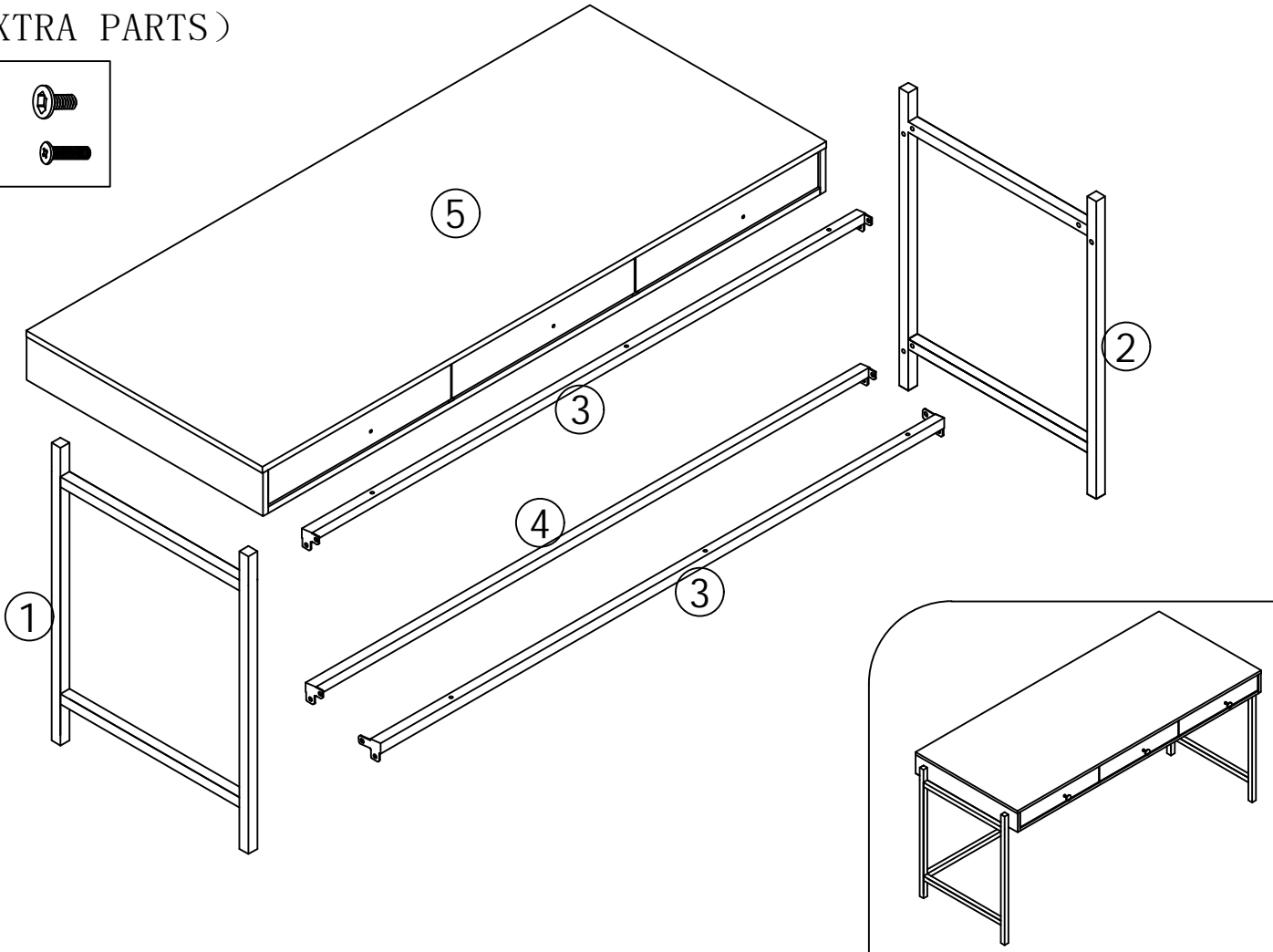
# Desk



A		M6x15	12	PCS	D			3	PCS
B		4mm	1	PCS	E		M4*35	3	PCS
C		M6x35	6	PCS	F				

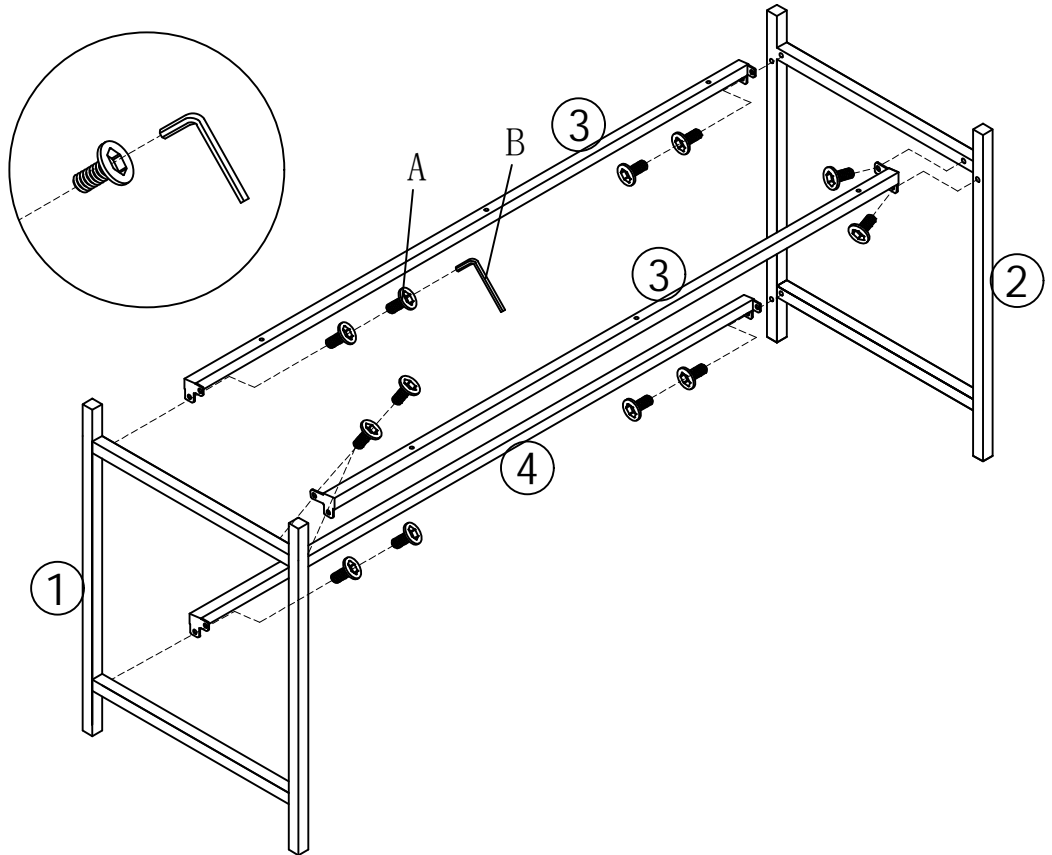
(EXTRA PARTS)

- Ax1 
- Cx1 



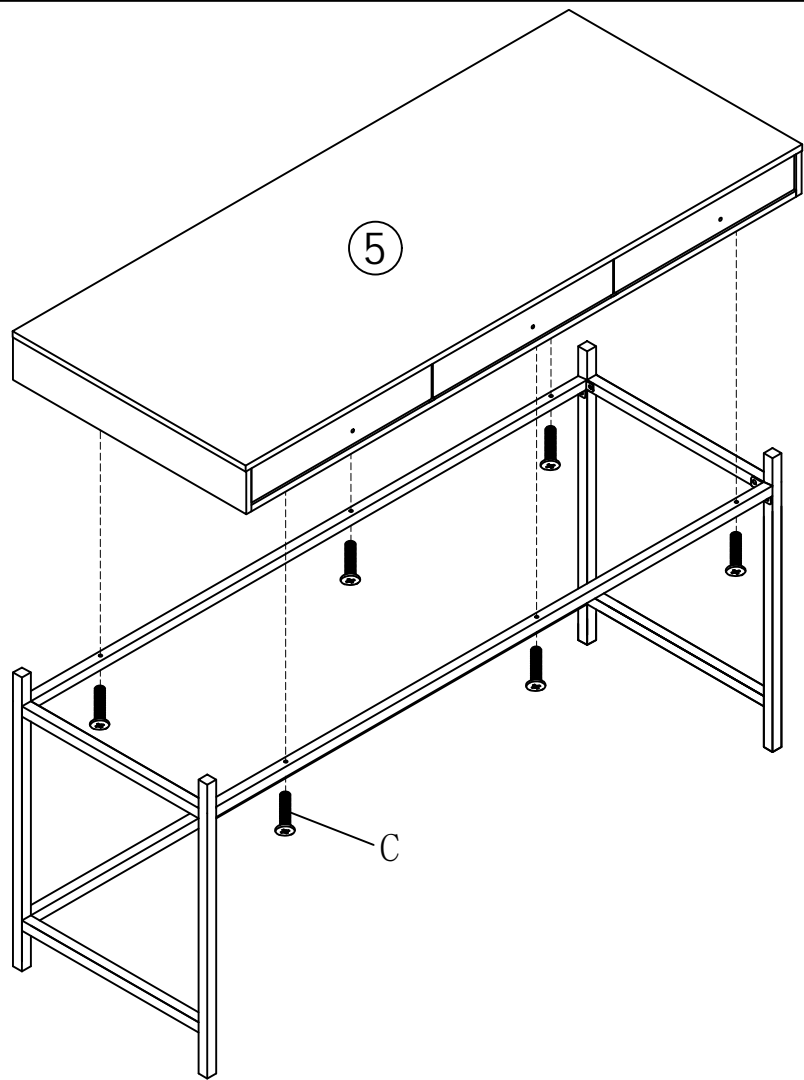
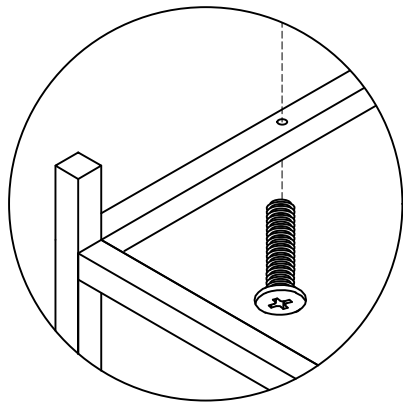
STEP 1

- Ax12
- Bx1



## STEP 2

Cx6



## STEP 3

Dx3

Ex3

