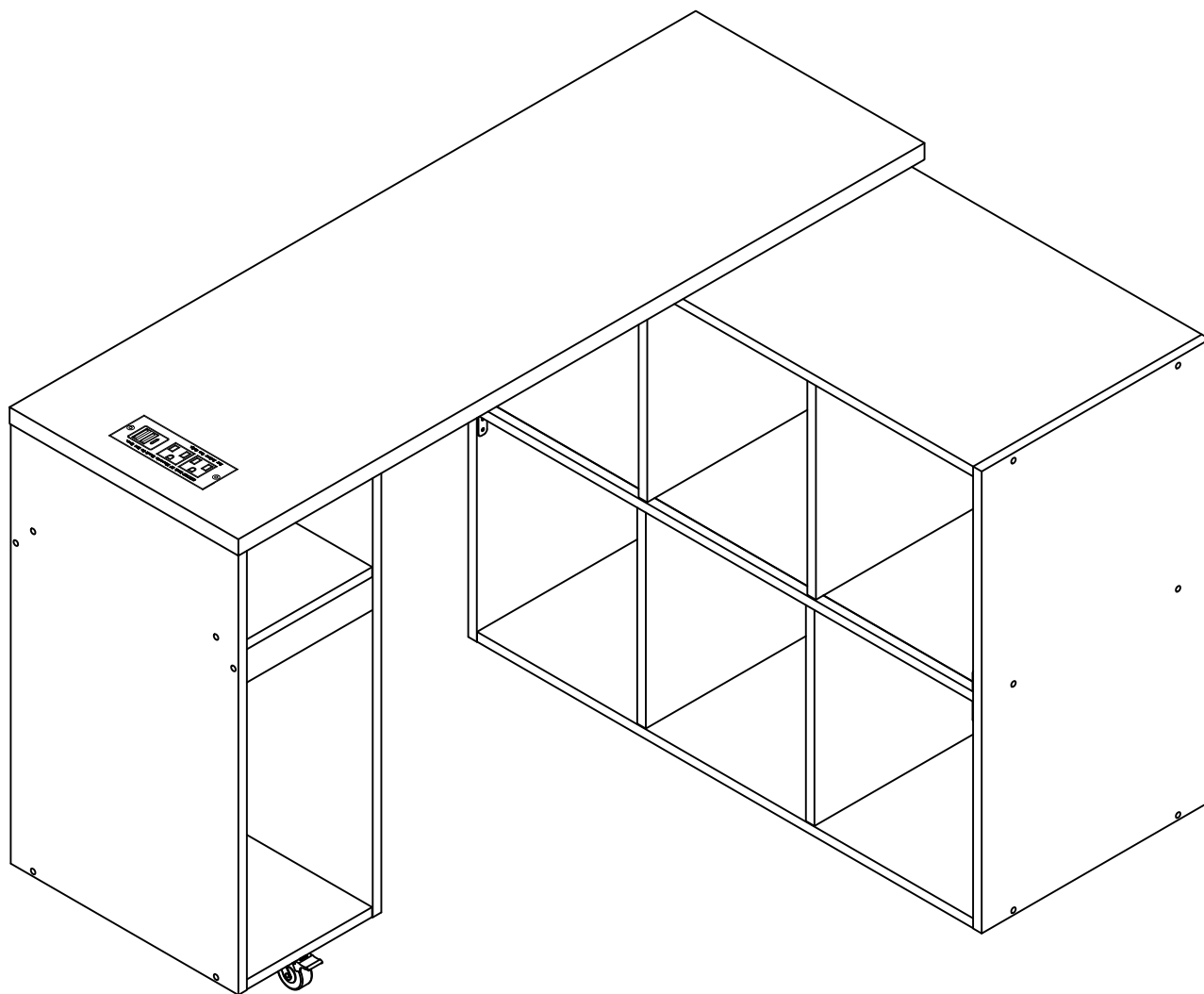


# Assembling Instruction

Generating Drawings



ATTENTION

We are concerned about each customer's experience, so if there is any loss or damage, feel free to contact us and provide the name of the missing or damaged parts regarding to the P.3 page of the instructions at any time please. We will send replacement to you asap.

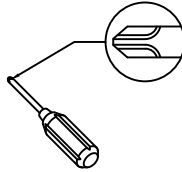
Customer service email: [ServiceSupportAMZ@126.com](mailto:ServiceSupportAMZ@126.com)

Please attach your order ID so that we can assist you better.

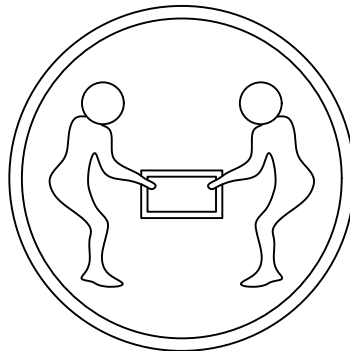
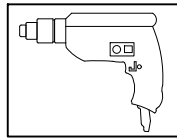


# General Assembly Guidelines

- I. Ensure that all parts and hardware are available before beginning assembly.
- II. Follow each step carefully to ensure the proper assembly of this product.
- III. Two people are recommended for ease in the assembly of this product.
- IV. The three main types of hardware used to assemble this product are : wood dowels , screws and bolts.
- VI. A Phillips head screwdriver is required for the assembly of this product .

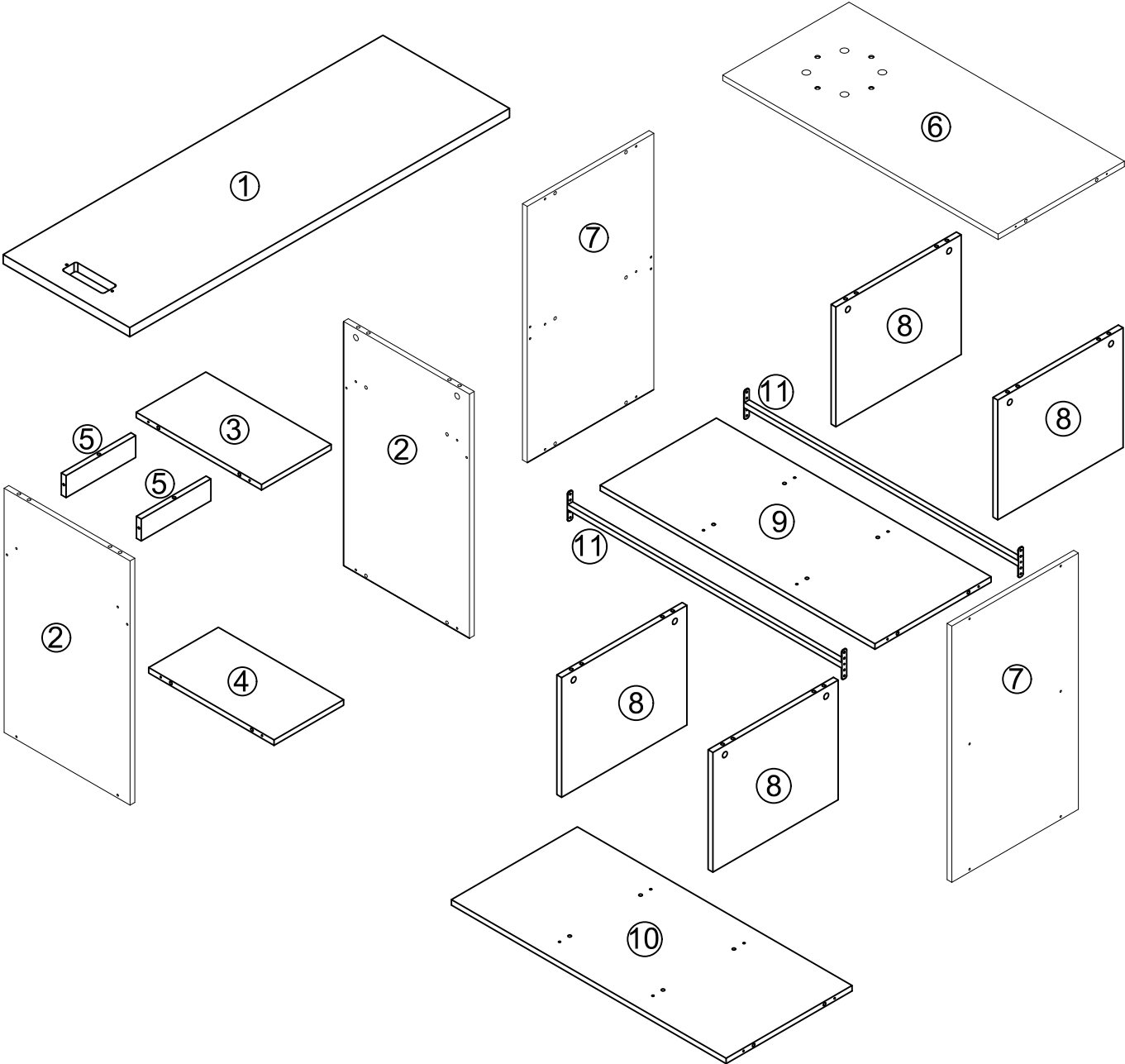


- VII. Power drill could be used to assemble this product if you have one.

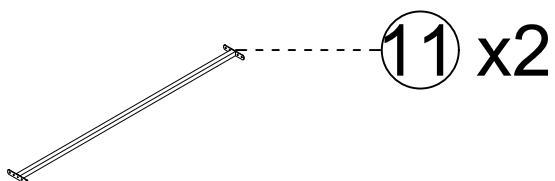
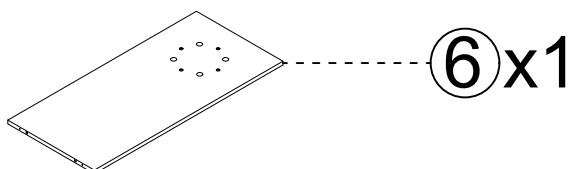
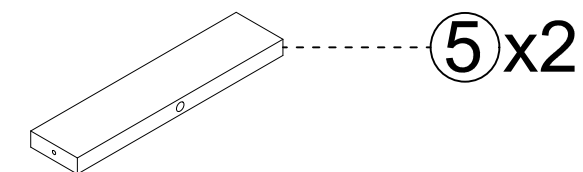
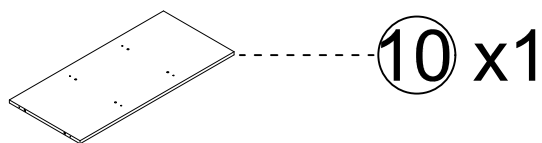
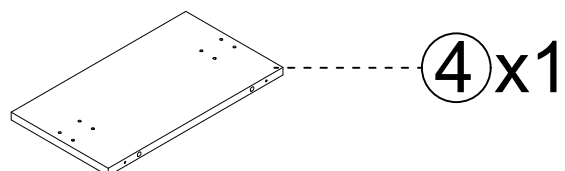
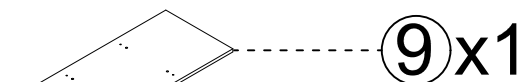
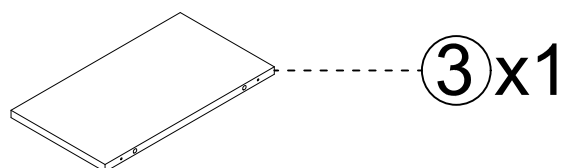
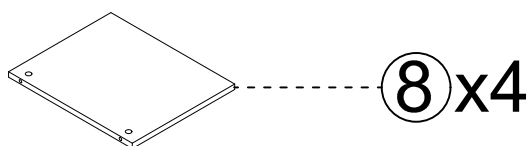
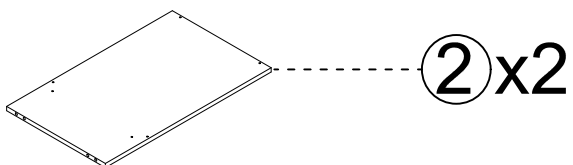
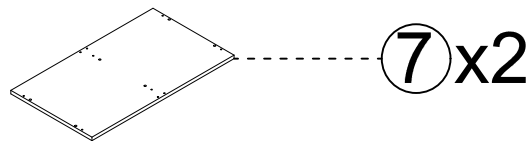
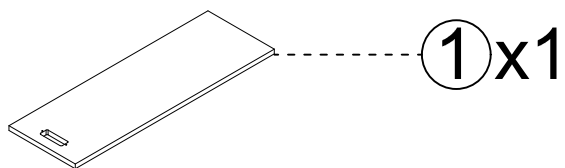


We recommend that two people install this office desk.

# Parts List



# Componets (A)



# HARDWARE PACK CONTENT

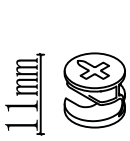
(A)



Ø6x32mm

12+1

(B)



Ø15x1.1mm

12+1

(C)



Ø4.5x48mm

32+2

(D)



1x

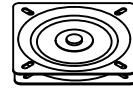
(E)



Ø8x30mm

42+3

(F)



1x

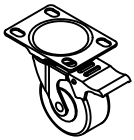
(G)



M6x12mm

8+

(H)



2x

(I)



Ø5\*15mm

8+  
fit H

(J)



Ø3x12mm

18+2

(K)



Ø30mm

12+1

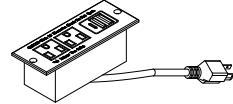
(L)



20x20x3mm

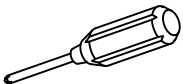
6+

(M)



1+

(N)

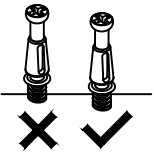
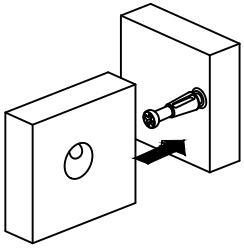
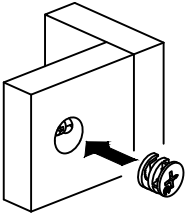
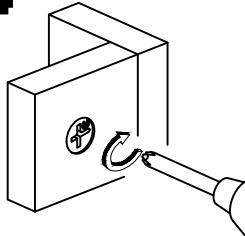


1x

*The hardware quantities listed above are required for proper assembly.  
Some extra hardware may also have been included.*

# CAM LOCK/BOLT FASTENING INTRODUCTION

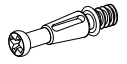
(You will use it during assembly)

<b>1</b> 	<b>2</b> 	<b>3</b> 	<b>4</b> 
<p>1.Screw cam bolt into the threaded anchor gently. (Attention:don't screw cam bolt too deep or too shallow.)</p>	<p>2.Please connect the 2 boards you want connect by inserting cam bolt.</p>	<p>3.Insert the cam lock into the round hole of the board. (Attention:point the arrow on the top of the cam lock to the outer edge.)</p>	<p>4.Turn the cam lock clockwise until it is firmly tightened.</p>

Please use [A] cam bolts and [B] cam locks as shown in the illustrations.

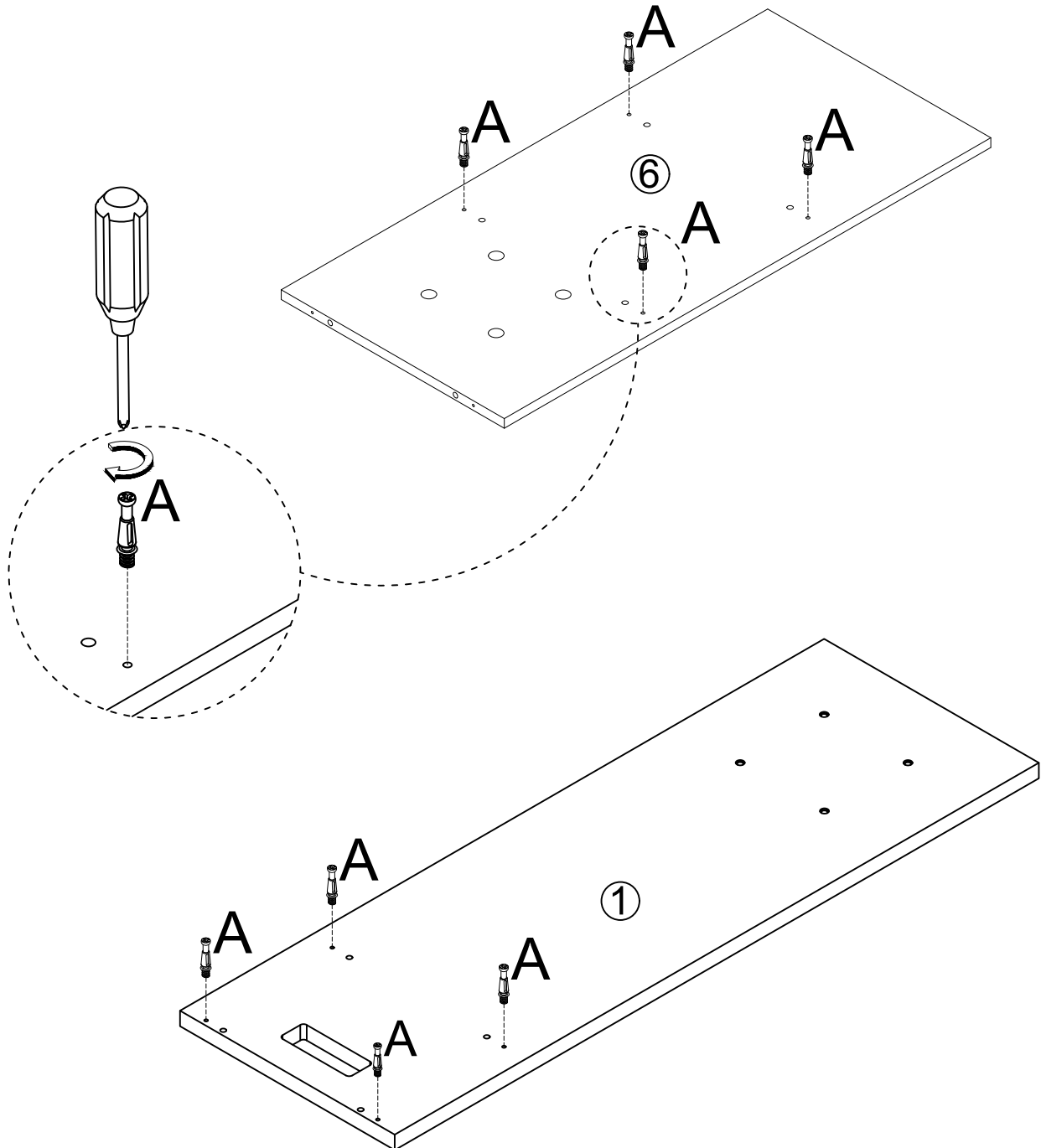
# Step 1

A





X 8

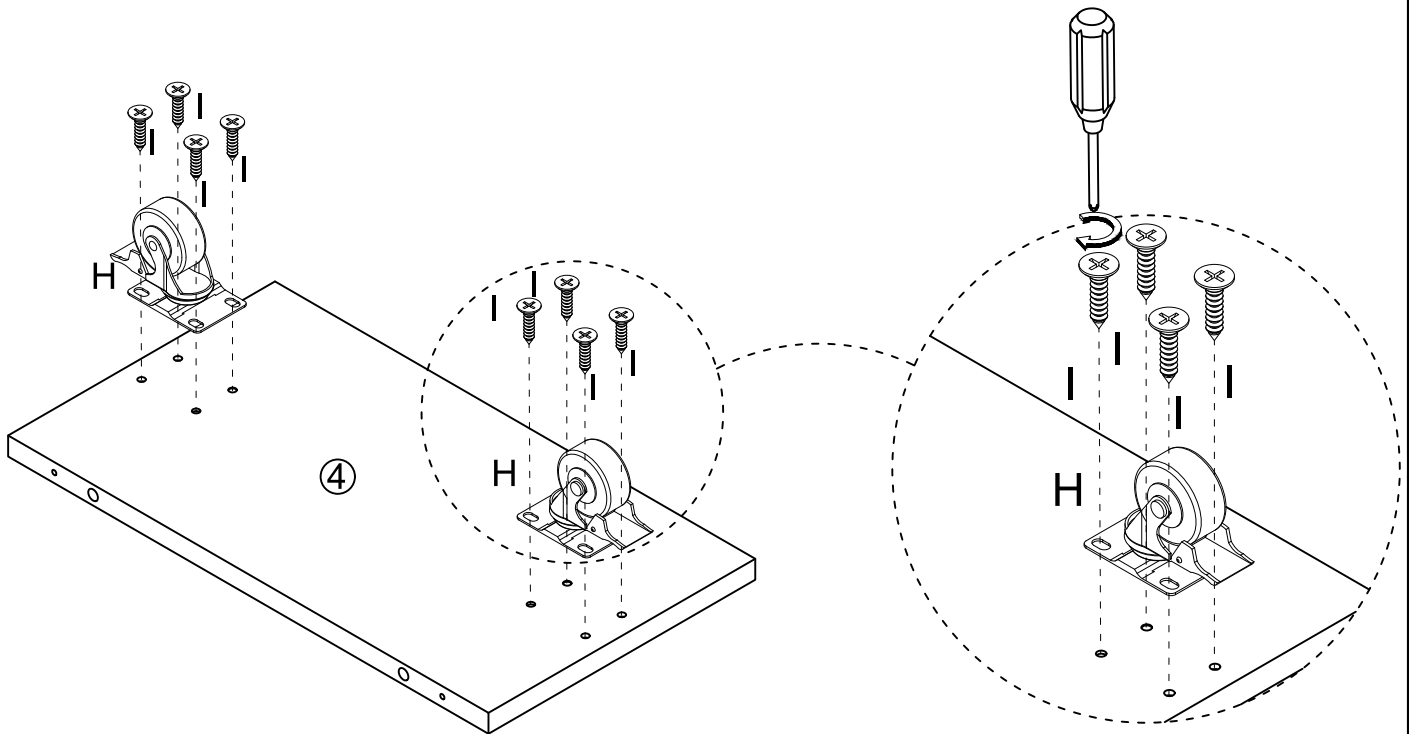
- Install Ax4 on the panel ⑥ as shown
- Install Ax4 on the panel ① as shown



# Step 2



-Use Ix8 to install 2 wheels Hx2 on the panel ④ as shown

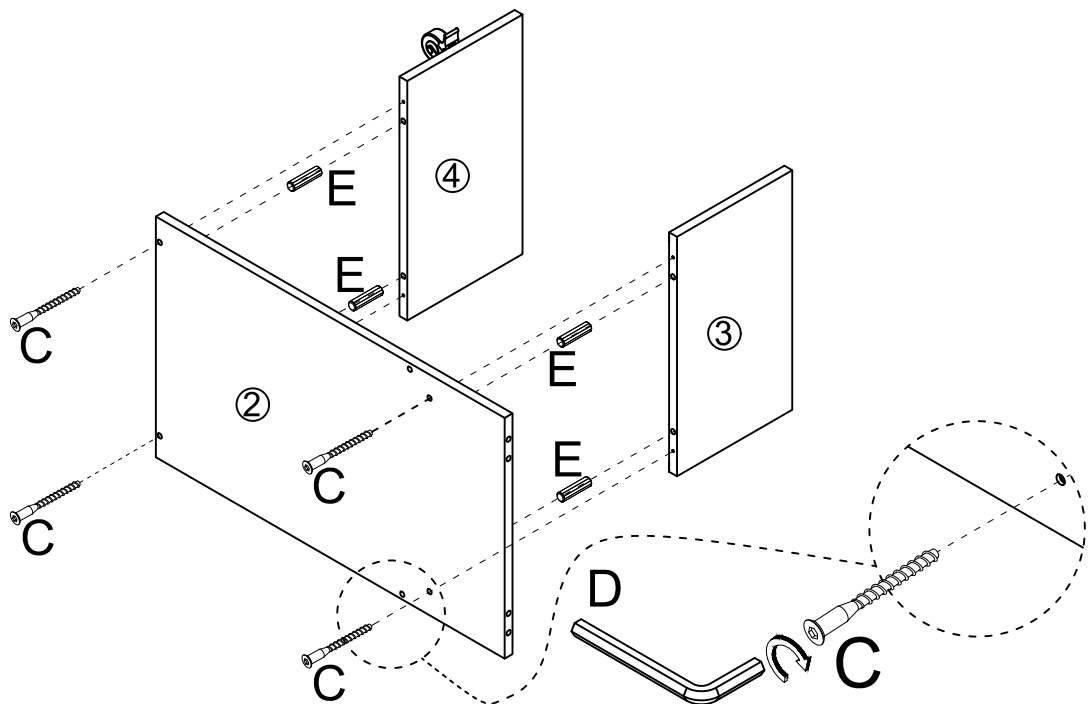
H	I
	
X2	X8




# Step 3

- Install dowels Ex2 on the panel ③ as shown
- Install dowels Ex2 on the panel ④ as shown
- Use Cx4 to connect ③&④ with the Panel ② as shown

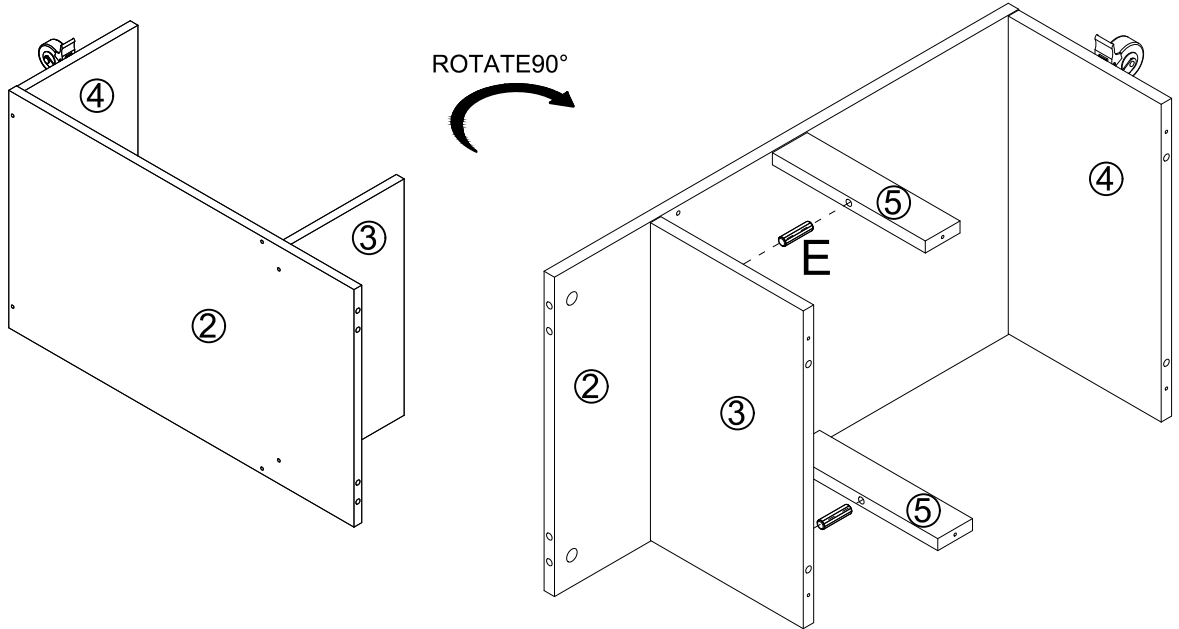
C	E
	
X4	X4





# Step 4

E

X2

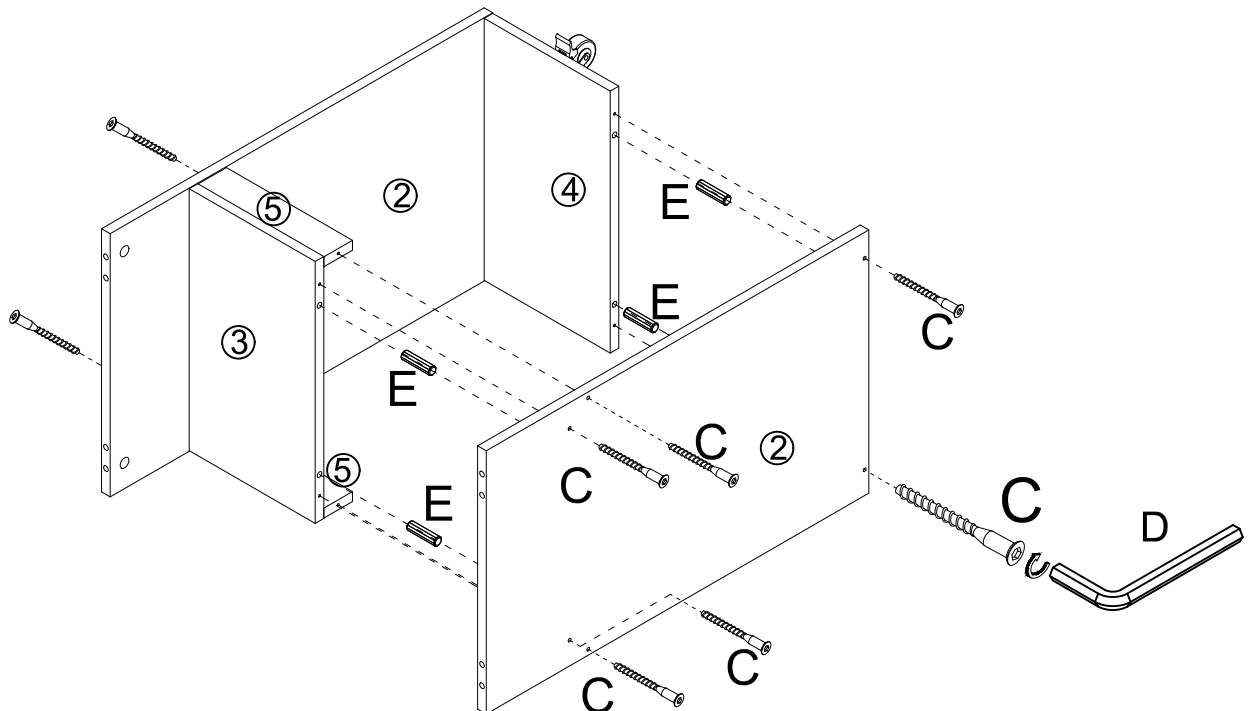
- Rotate the combination like shown
- Use dowels Ex2 to connect both ⑤ with the panel ③



# Step 5



C	E
	
X8	X4

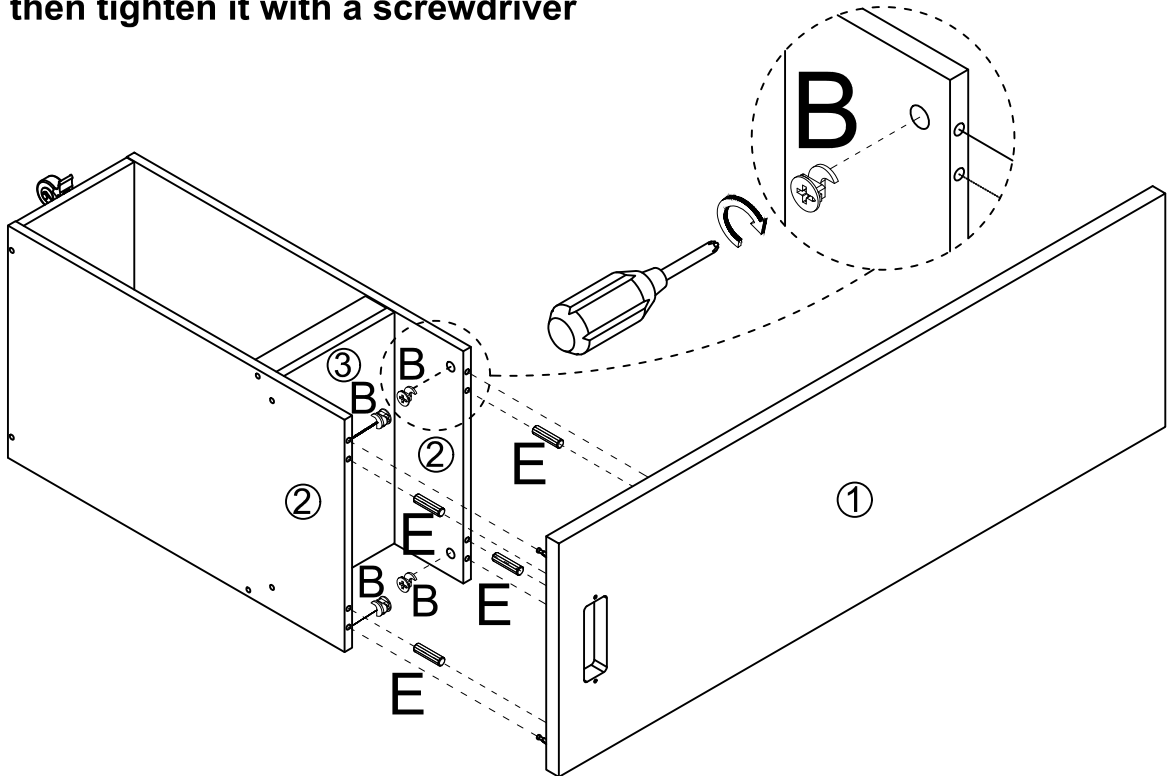
- Use Cx2 to lock both the panel ⑤ with the panel ② as shown
- Install Ex2 on each panel ③ and panel ④ as shown
- Use Cx6 to connect the panel ③&④ with the panel ② as shown



# Step 6



- Install dowels Ex4 on the panel ① as shown
- Connect both the panel ② to ① with Bx4 as shown, then tighten it with a screwdriver

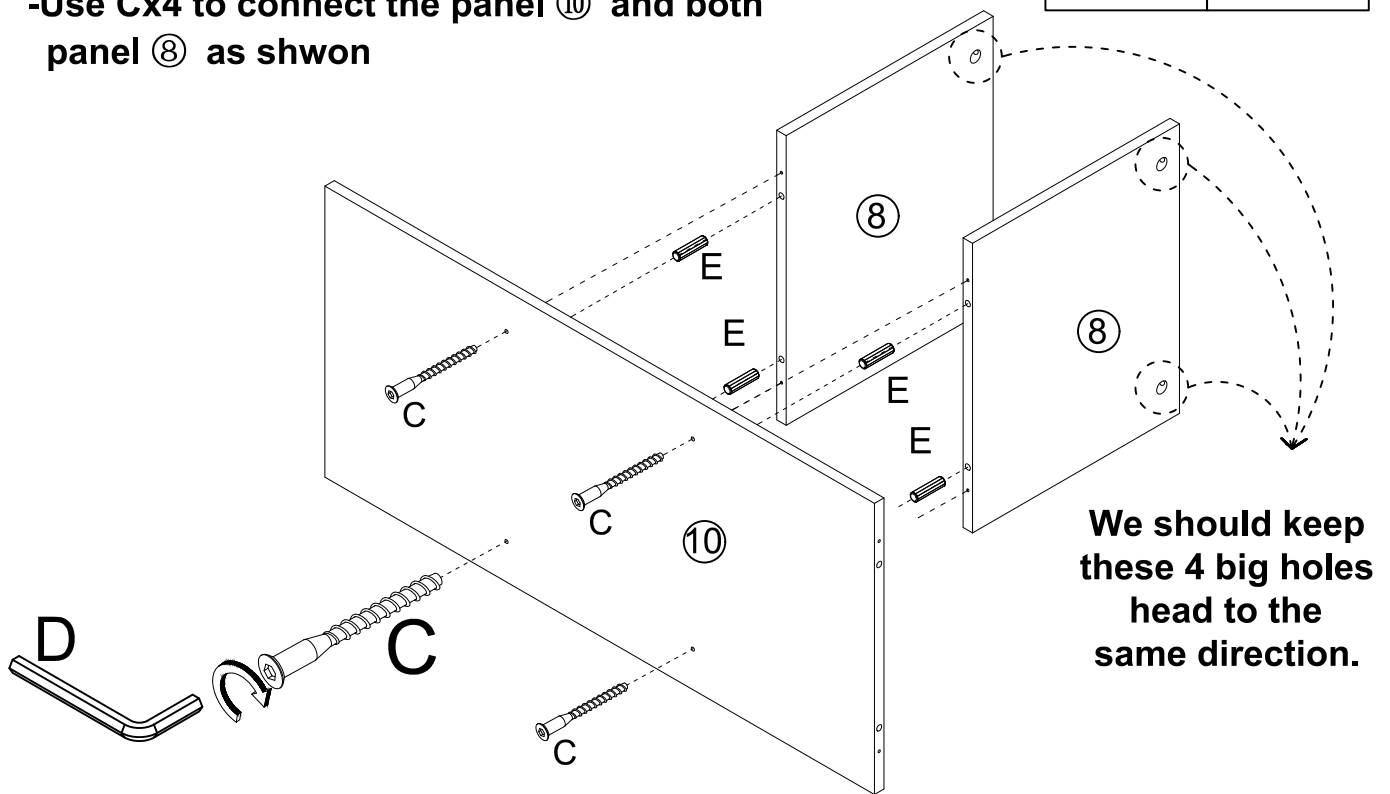
B	E
	
X4	X4





# Step 7

- Install Ex2 on each panel ⑧ as shown
- Use Cx4 to connect the panel ⑩ and both panel ⑧ as shown

E	C
	
X4	X4

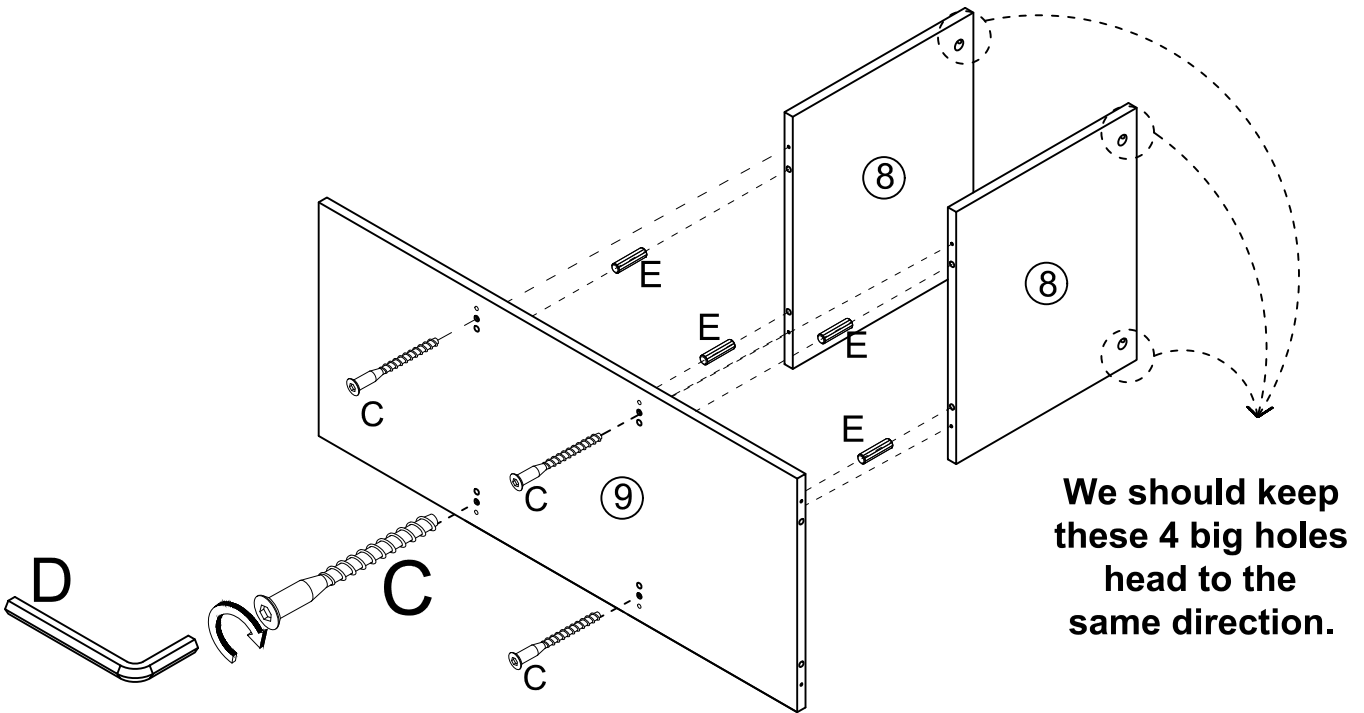


# Step 8

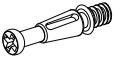
E	C
	
X4	X4

-Install Ex2 on each panel ⑧ as shown

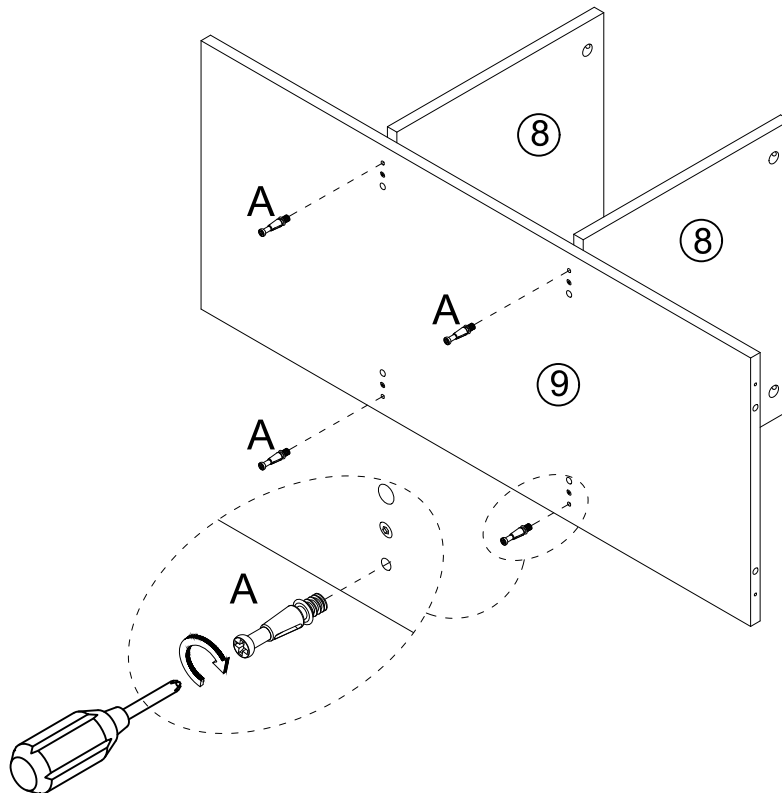
-Use Cx4 to connect the panel ⑨ and both panel ⑧ as shown



# Step 9



A

X 4

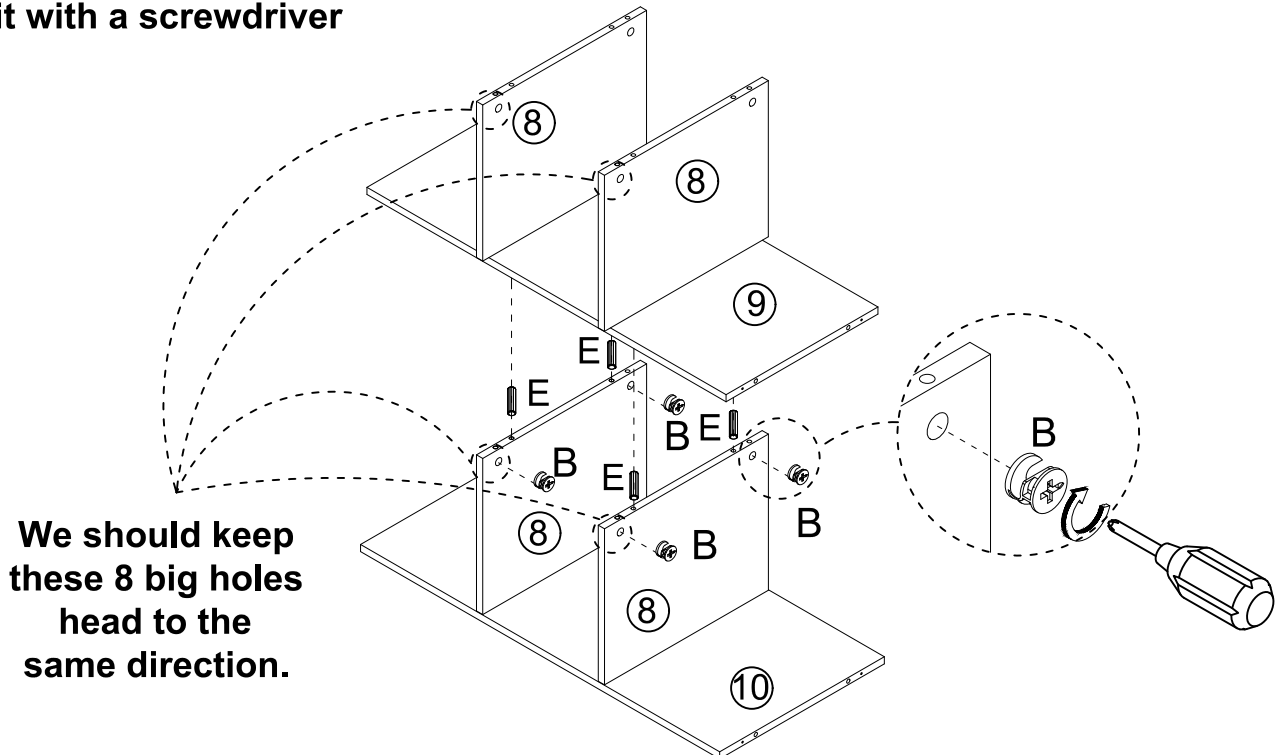
-Install Ax4 on the panel ⑨ as shown



## Step 10



- We recommend 2 people to finish this step
- Install dowels Ex2 on each panel ⑧ as shown
- Connect the 2 combination with Bx4 as shown, then tighten it with a screwdriver

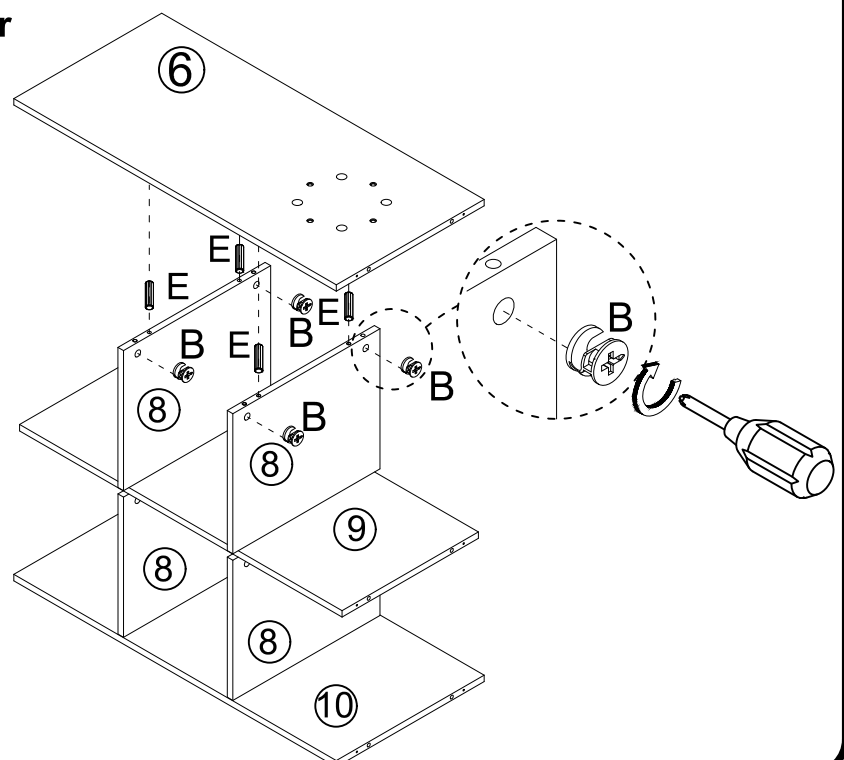
B	E
	
X4	X4



## Step 11



- We recommend 2 people to finish this step
- Install dowels Ex2 on each panel ⑧ as shown
- Connect the panel ⑥ with Bx4 as shown, then tighten it with a screwdriver

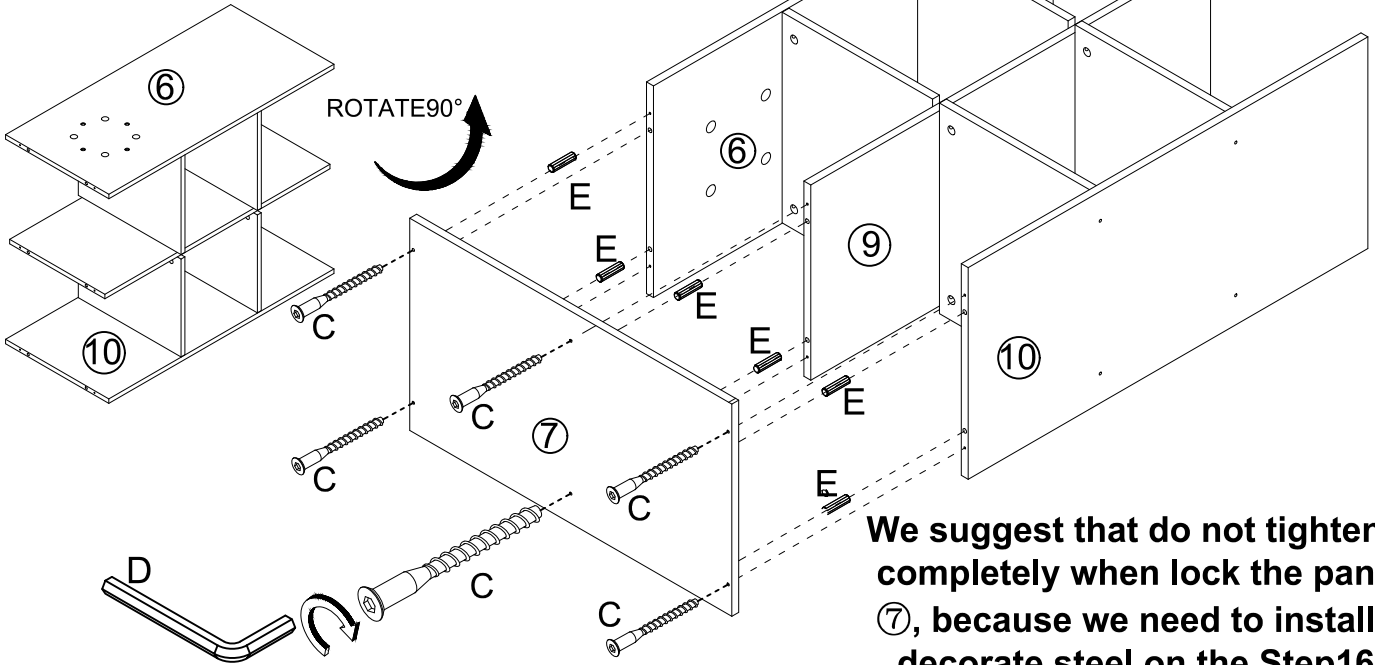
B	E
	
X4	X4



# Step 12

- We recommend 2 people to finish this step
- Rotate the combination like shown
- Install dowels Ex6 on the panel ⑦ as shown
- Use Cx6 to connect the panel ⑦ with the panel ⑥, ⑨ and ⑩ as shown



C	E
	
X6	X6

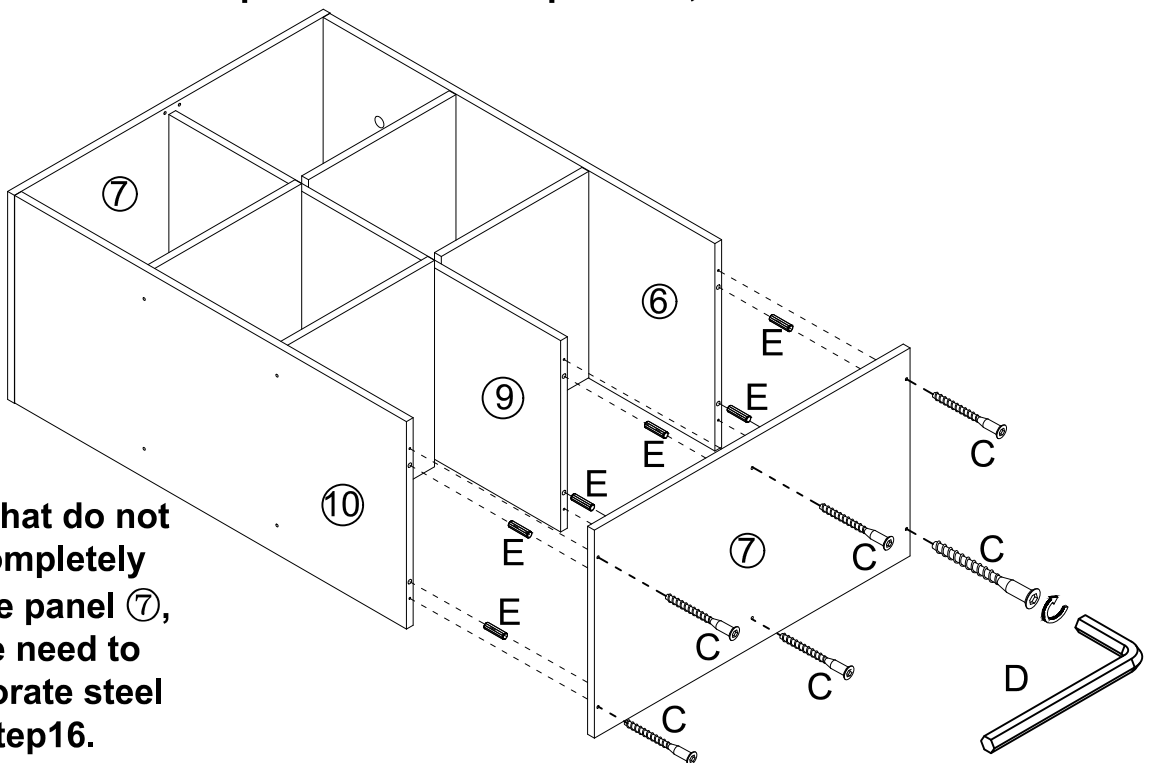


We suggest that do not tighten it completely when lock the panel ⑦, because we need to install 2 decorate steel on the Step16.

# Step 13

- Install another panel ⑦
- Install dowels Ex6 on the panel ⑦ as shown
- Use Cx6 to connect the panel ⑦ with the panel ⑥, ⑨ and ⑩ as shown


C	E
	
X6	X6

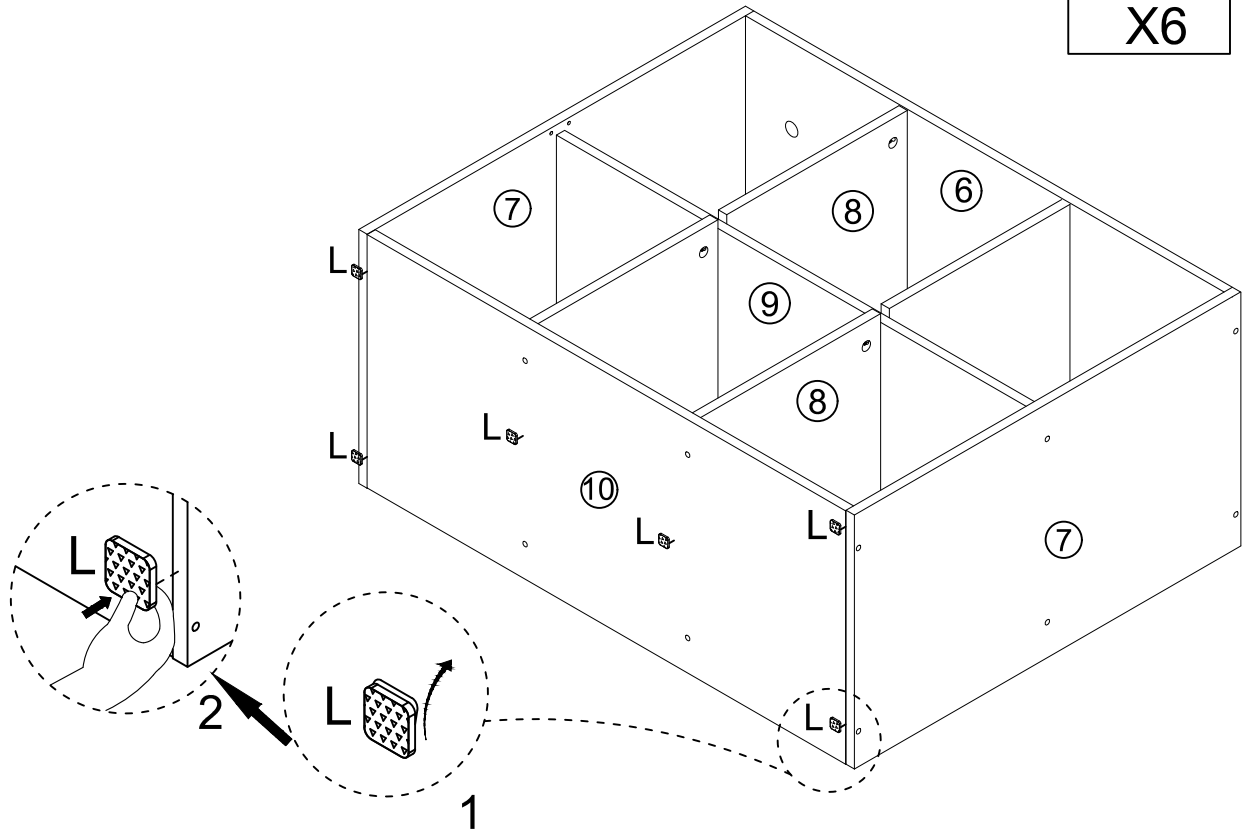


We suggest that do not tighten it completely when lock the panel ⑦, because we need to install 2 decorate steel on the Step16.

# Step 14


-Stick the secure patch Lx6 on the panel ⑩ as shown

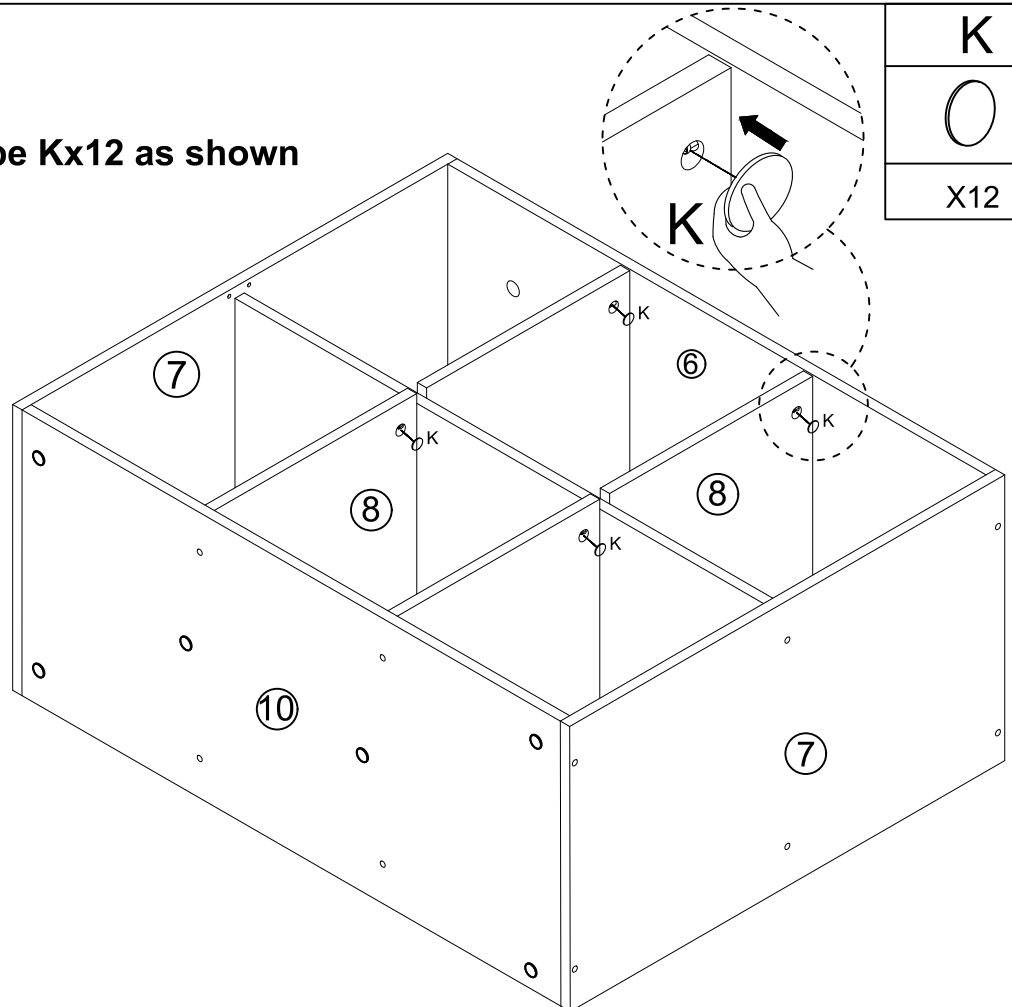
L

X6



# Step 15

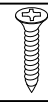
-Stick grout tape Kx12 as shown

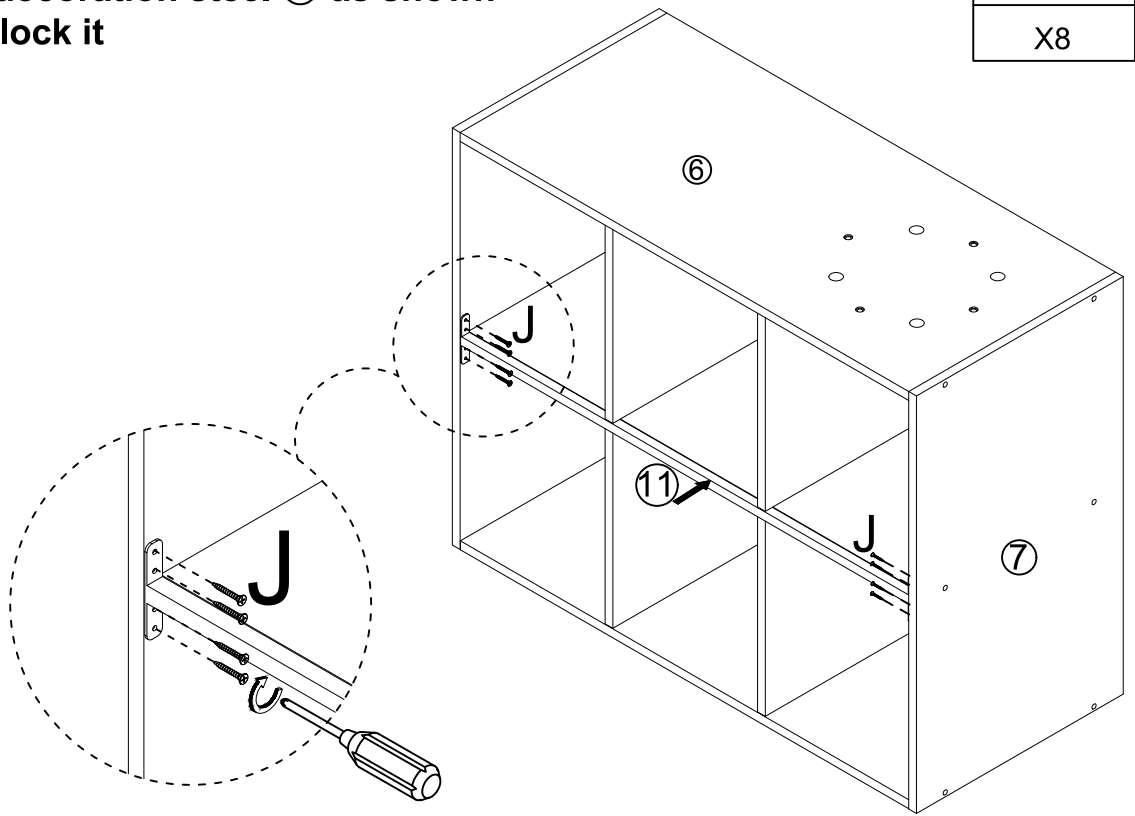
K

X12



# Step 16


- Install the decoration steel ⑪ as shown
- Use Jx8 to lock it

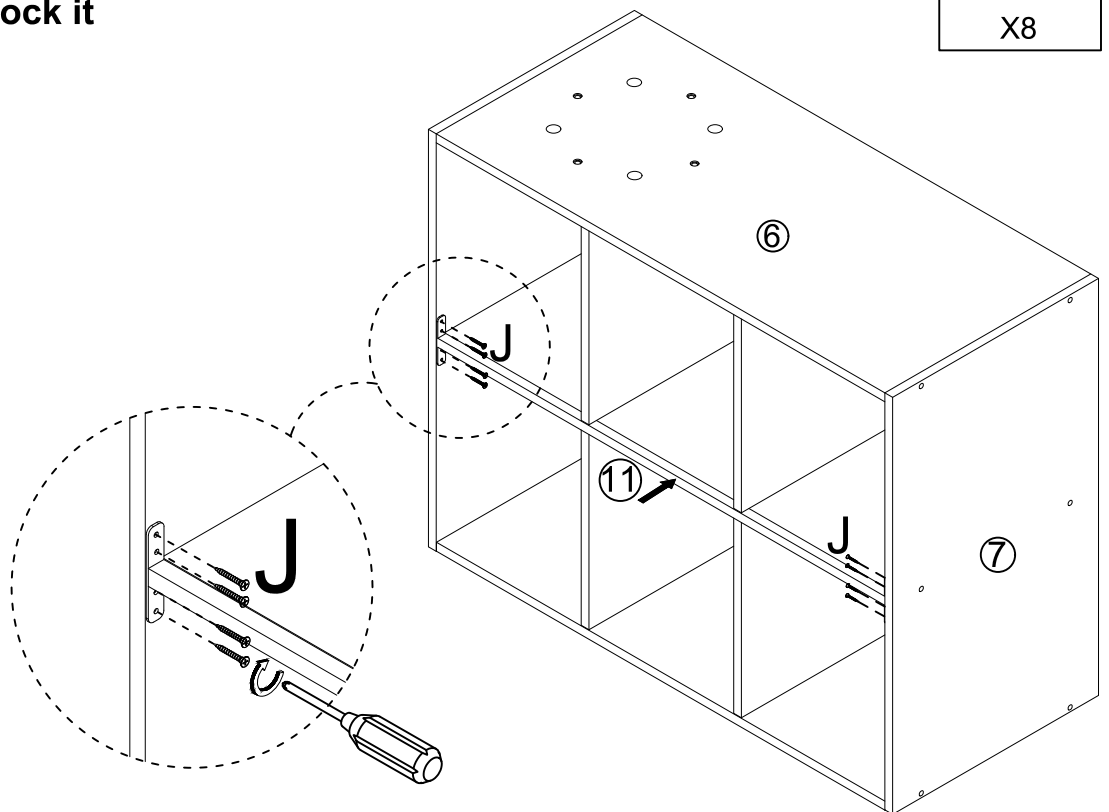
J

X8



# Step 17



- Install the other side of decoration steel ⑪ as shown
- Use Jx8 to lock it

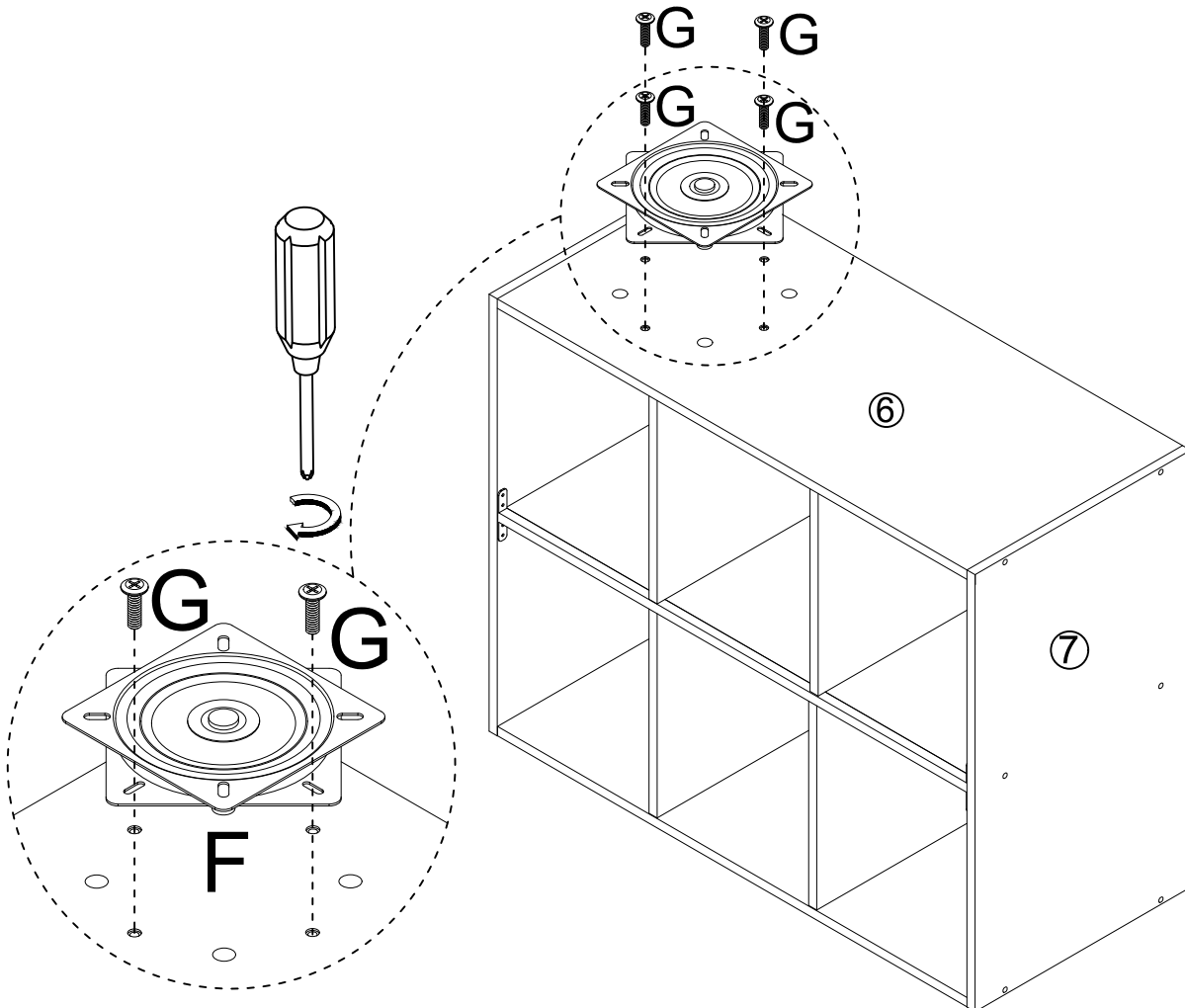
J

X8



# Step 18

-Use Gx4 to lock the rotary part F  
on the panel ⑥ as shown

F	G
	
X1	X4



# Step 19

G

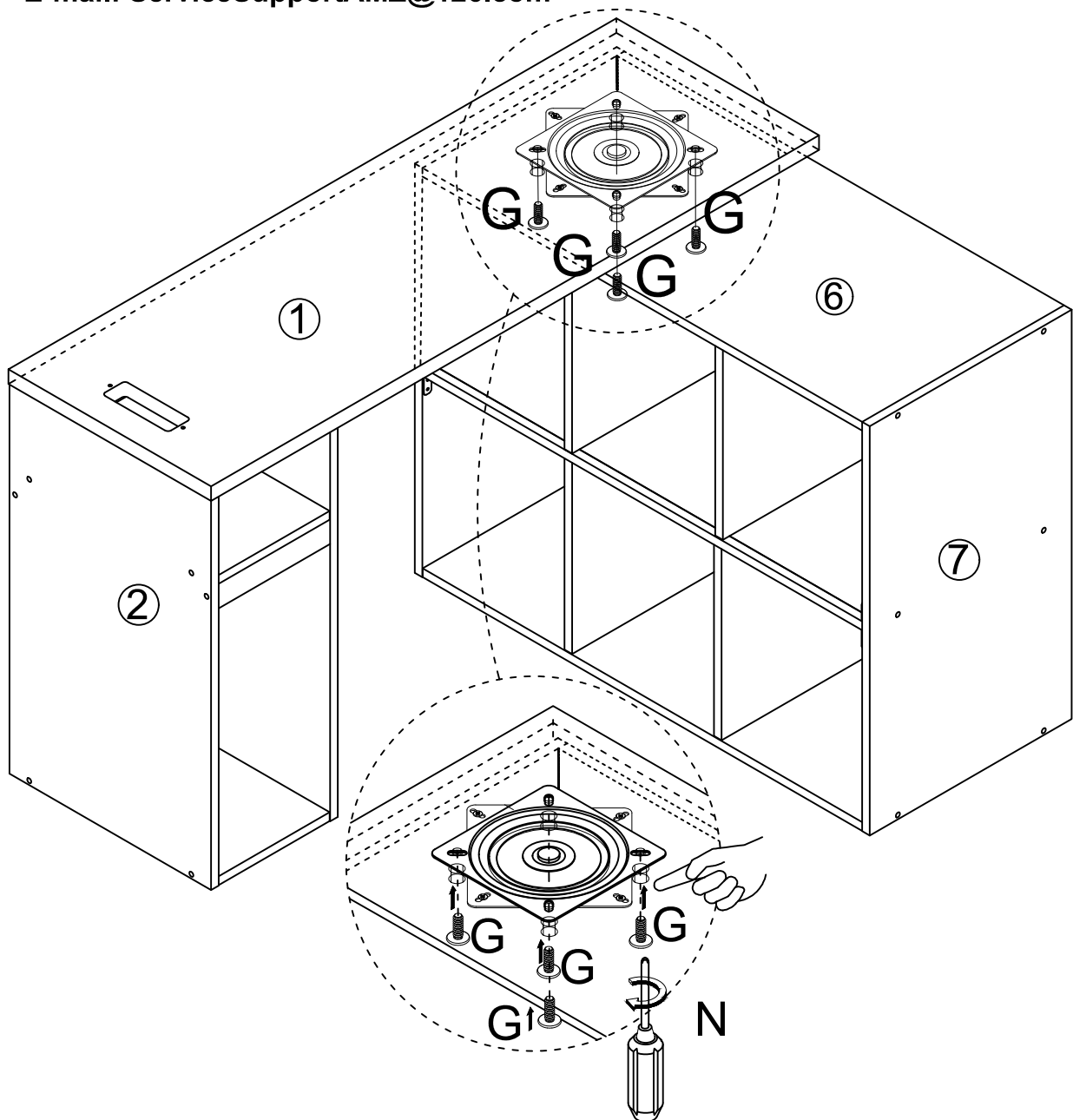


X4

- We recommend 2 people to finish this step
- Before we connect both part of the desk, we need to adjust the upper rotary, and let the 4 holes target the 4 predrilled holes on the panel ⑥
- Use the screwdriver to lock the screw G from the downside of the panel ⑥


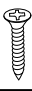
If you are still confused about the installation steps, you can contact the following email with your order ID attached, and we will provide you with a video installation guide. Alternatively, you can refer to the video installation tutorial on the Amazon product page.

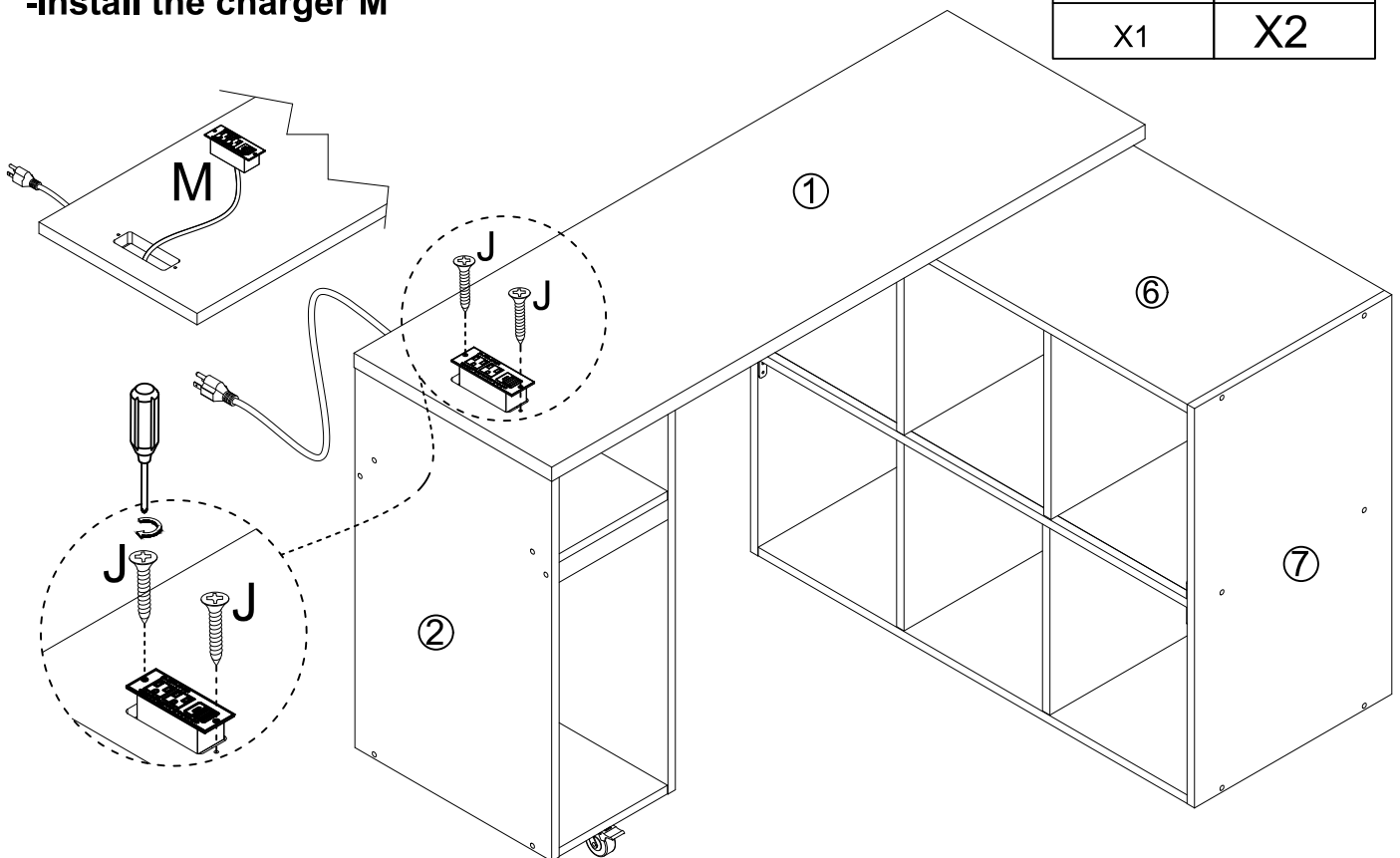
E-mail: [ServiceSupportAMZ@126.com](mailto:ServiceSupportAMZ@126.com)



# Step 20

-Install the charger M

M	J
	
X1	X2



# Step 21

The 2 wheels are adjustable to slide or stop by adjusting the clip

