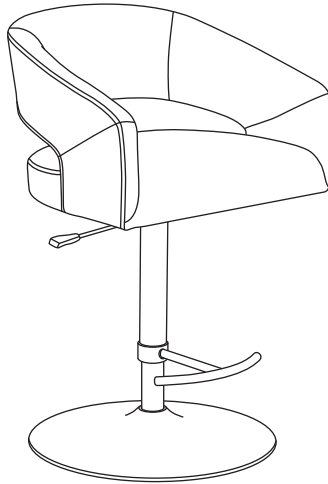


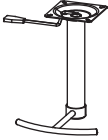
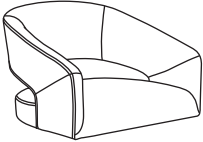
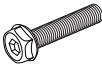
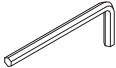


Assembly Manual



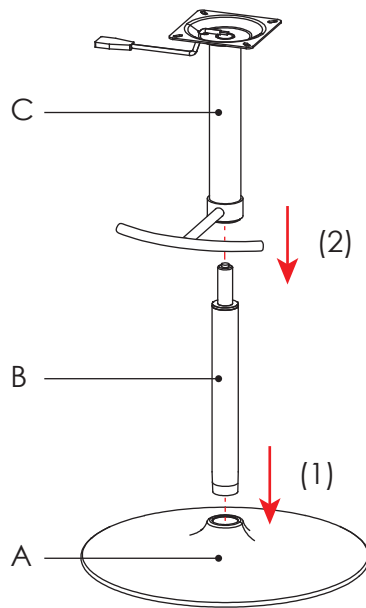
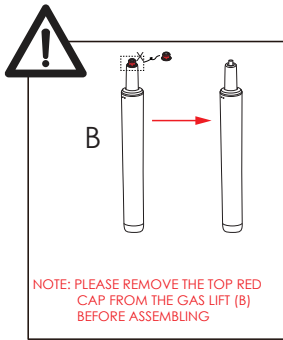
CAUTION


THIS ASSEMBLY MANUAL CONTAINS IMPORTANT SAFETY INFORMATION.
PLEASE READ AND KEEP FOR FUTURE REFERENCE.

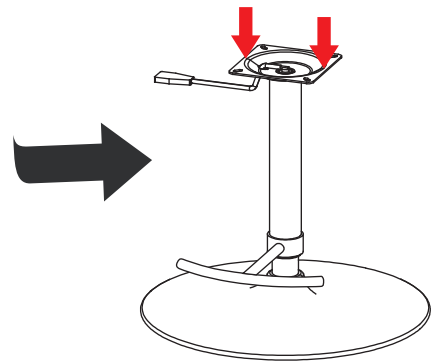
Ax1 	Bx1 	Cx1 
Dx1 	H1x4 	T1x1 

Wayfair

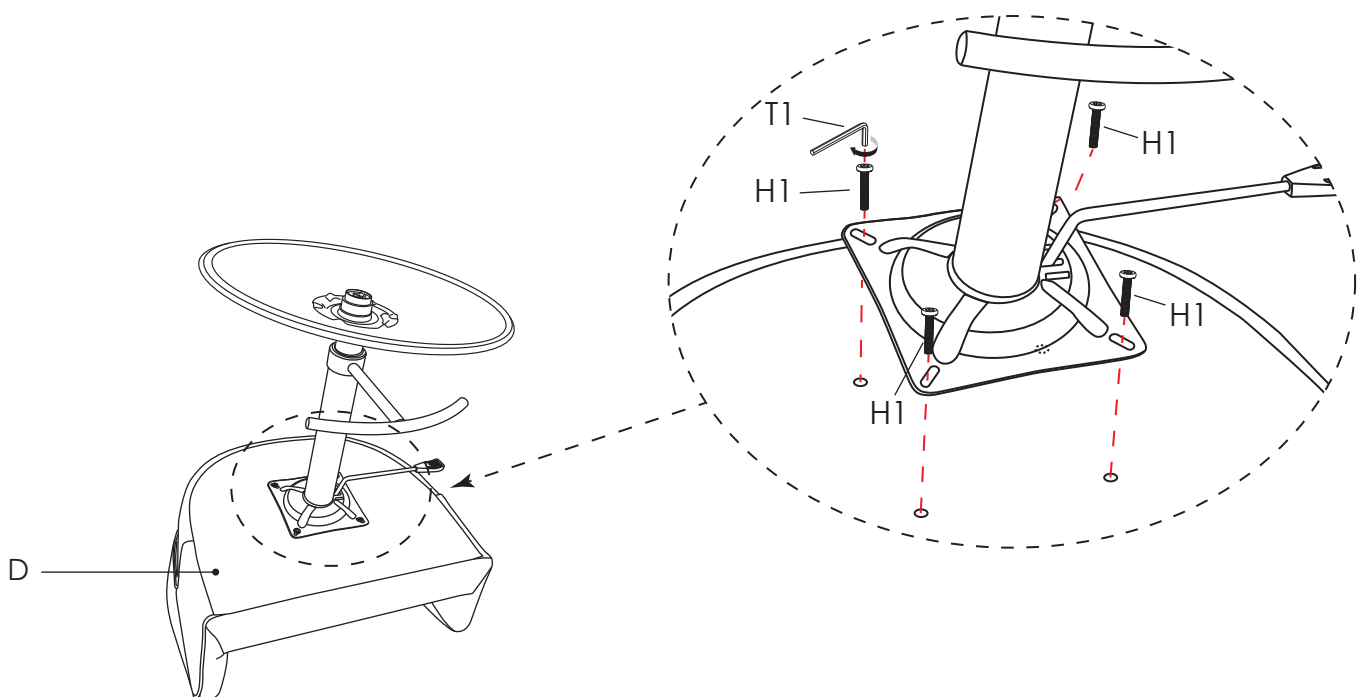
- 1 (1) Remove the TOP RED CAP from the Gas Lift(B). Then insert the Gas Lift (B) into the center hole of the Disc Base (A).
(2) Insert the Seat Support (C) to the top of Gas Lift (B).



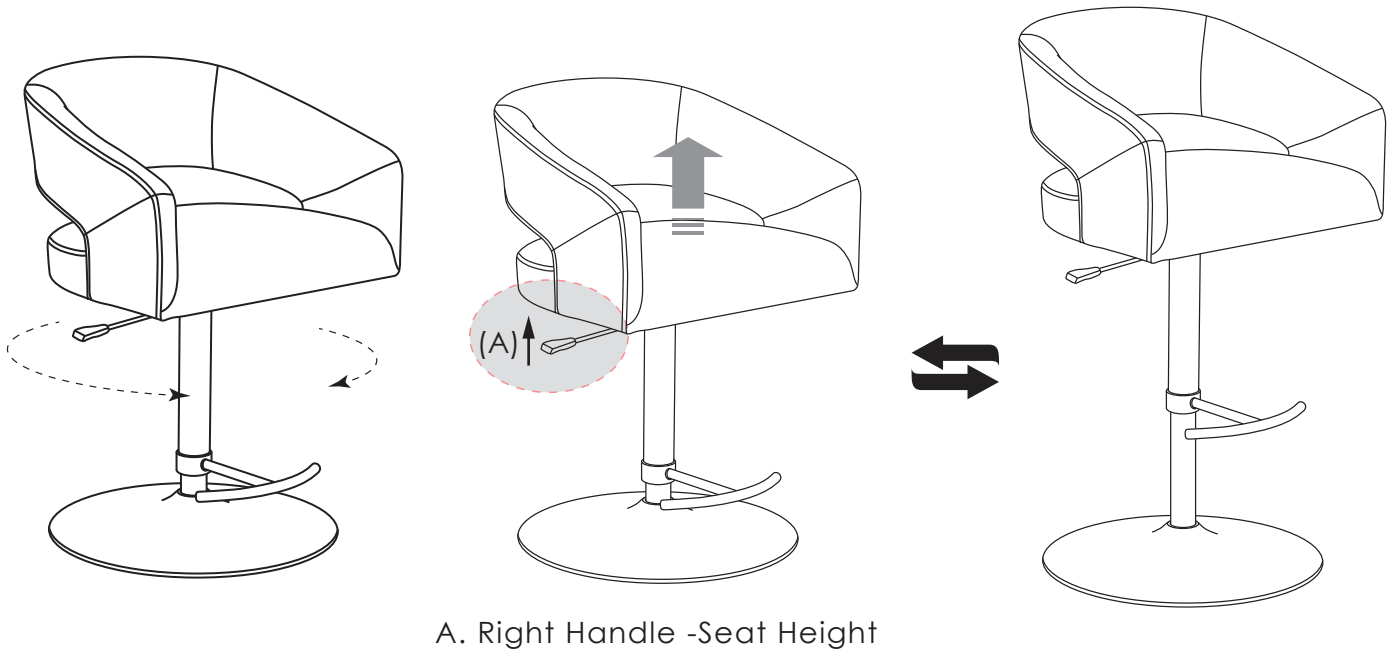
NOTE:  Press down firmly over Seat Support (C) to secure in place.



- 2 Attach the pre-assembled chair base to the bottom of the Chair Body (D) with Bolts (H1x4) and Allen Wrench (T1).



3 Complete assembly.



Place the chair on a flat surface. Sit in the chair and adjust the chair seat height.

Customize your seat height by pulling upward on the Right Handle (A).

Raise your body up off the seat slightly to activate the chair lift upwards. To lower the seat height, please sit on the seat and pull upward on the Right Handle (A). Release the Right Handle (A) to lock the lift cylinder to your desired seat height.