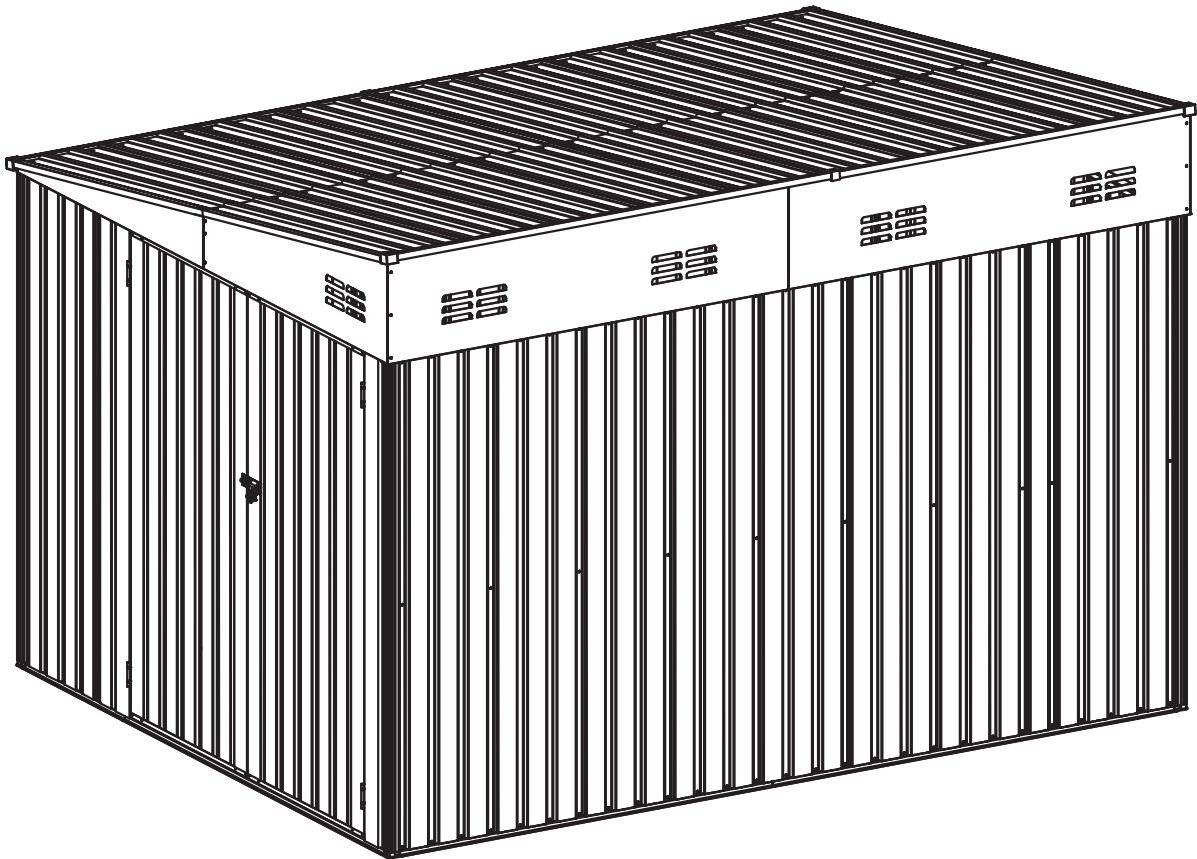


8' x 10' Metal Storage Shed Owner Manual & Assemble Guide_SS16239-2

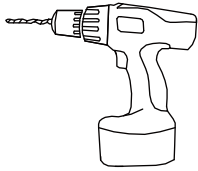


Customer Service:

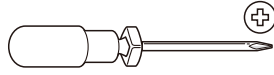
If you have any problem, please contact us through the online platform.

The item comes in 2 parcel, please verify that all the accessories are present.

Please prepare below tools before installation. (Not Included)



Electric Screwdriver



+ Manual Screwdriver

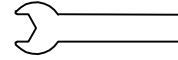


Ladder

Package included Tools



Gloves x 1Pair



Spanner x 1

ATTENTION

Care **MUST** be taken when handling various pieces of your building since many contain sharp edges.

Do NOT attempt to assemble your building before double checking that you have all parts indicated in the parts lists. Any building left partially assembled may be seriously damaged by even light winds.

Do NOT attempt to assemble your building on a windy day, the large panels can catch the wind like a “sail”, making construction difficult and unsafe. **Watch the weather closely.** Keep children and pets away from the worksite during construction and until the building is completely assembled. This will help avoid distractions and any accidents which may occur. Never concentrate your weight on the roof of the building.

Before assembling any parts, your base should be constructed and an anchoring system should be ready to use. Your building must be anchored to prevent wind damage.

ASSEMBLY

The best location is a level area with good drainage.

Allow enough space outside the building to be able to access the roof with a ladder.

USE TEAMWORK: Two or more people are required to assemble your building.

CARE & MAINTENANCE

Do NOT use power washing to clean your shed.


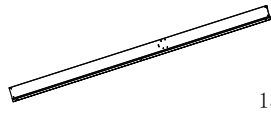

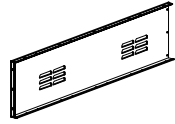

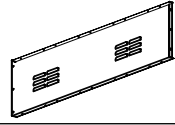


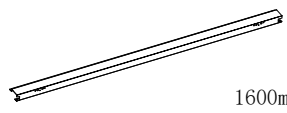

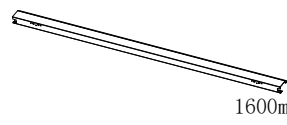

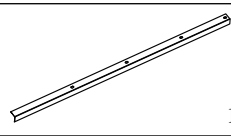
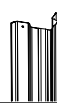
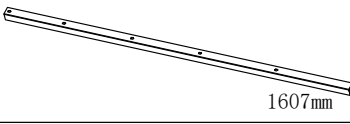
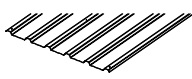
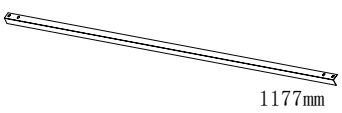
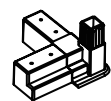
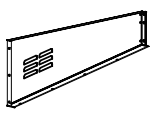

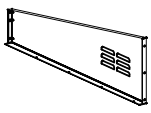



Combustibles and corrosives must be stored in air tight containers designed for chemical and/or combustible storage.

Rust Protection Precautions


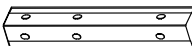




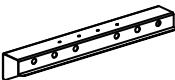






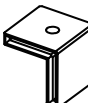

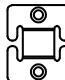

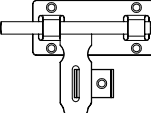

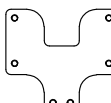
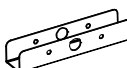
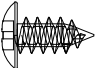
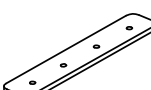
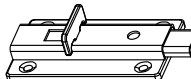
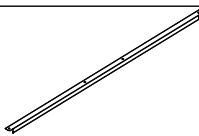


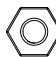
Avoid nicking or scraping the coating surface, inside and out.

PLEASE KEEP THIS INSTRUCTION FOR FUTURE REFERENCE.

Parts List A





NO.	PART.	Qty.	NO.	PART.	Qty.
1R	 1564.1mm	2	23	 1592mm	1
5	 1550mm	4	24L	 1	1
6R	 1624.3mm	2	24R	 1	1
16	 1592mm	2	W1	 1600mm	4
17L	 1600mm	1	W3	 1600mm	19
17R	 1600mm	1	W5	 1600mm	4
19L	 1286mm	2	W7	 1600mm	4
19R	 1607mm	2	M1	 1590mm	2
20	 1177mm	4	C	 4	4
21L	 1	1	F	 4	4
21R	 1	1			
22L	 1	1			
22R	 1	1			
22	 1592mm	1			

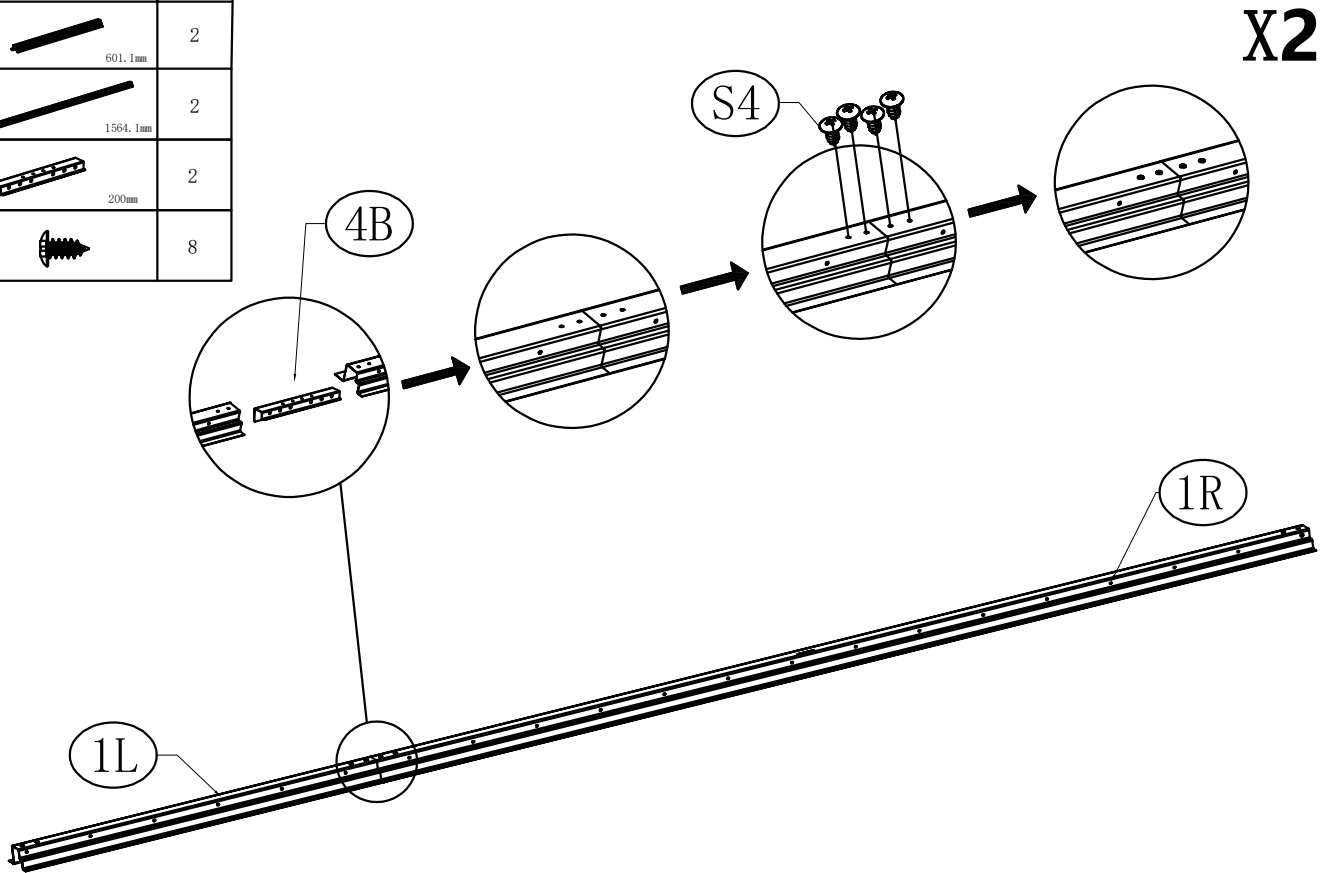
Parts List B





NO.	PART.	Qty.	NO.	PART.	Qty.
1L	 601.1mm	2	27	 173mm	2
2L	 1457.1mm	2	W12	 1169mm	18
2R	 1350.1mm	2	F4		4
4B	 200mm	4	F7		126
6L	 554.3mm	2	F8		96
7F	 1410.2mm	2	F9		2
7B	 1410.2mm	2	F10		2
9	 794.5mm	2	S1		1
9F	 1256mm	2	S2		1
9B	 858.5mm	2	S3		1
10	 180mm	4	S4		398
11	 180mm	4	S5		2
15	 956mm	4	S6		105
21	 705mm	4	S7		83

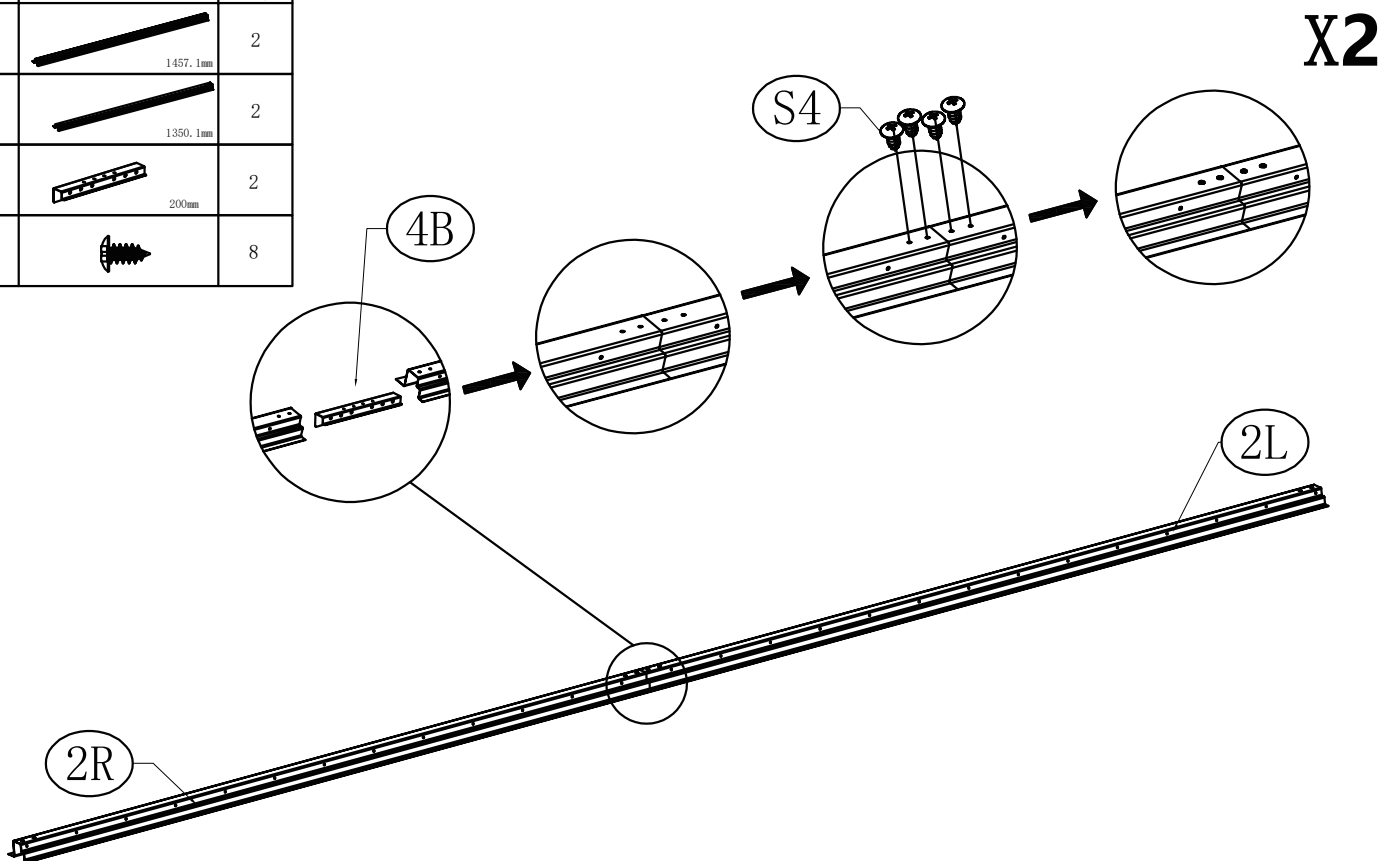
Shed Base Frame Assemble



The frame is sharp, must pay attention to the installation of gloves, to avoid scratches

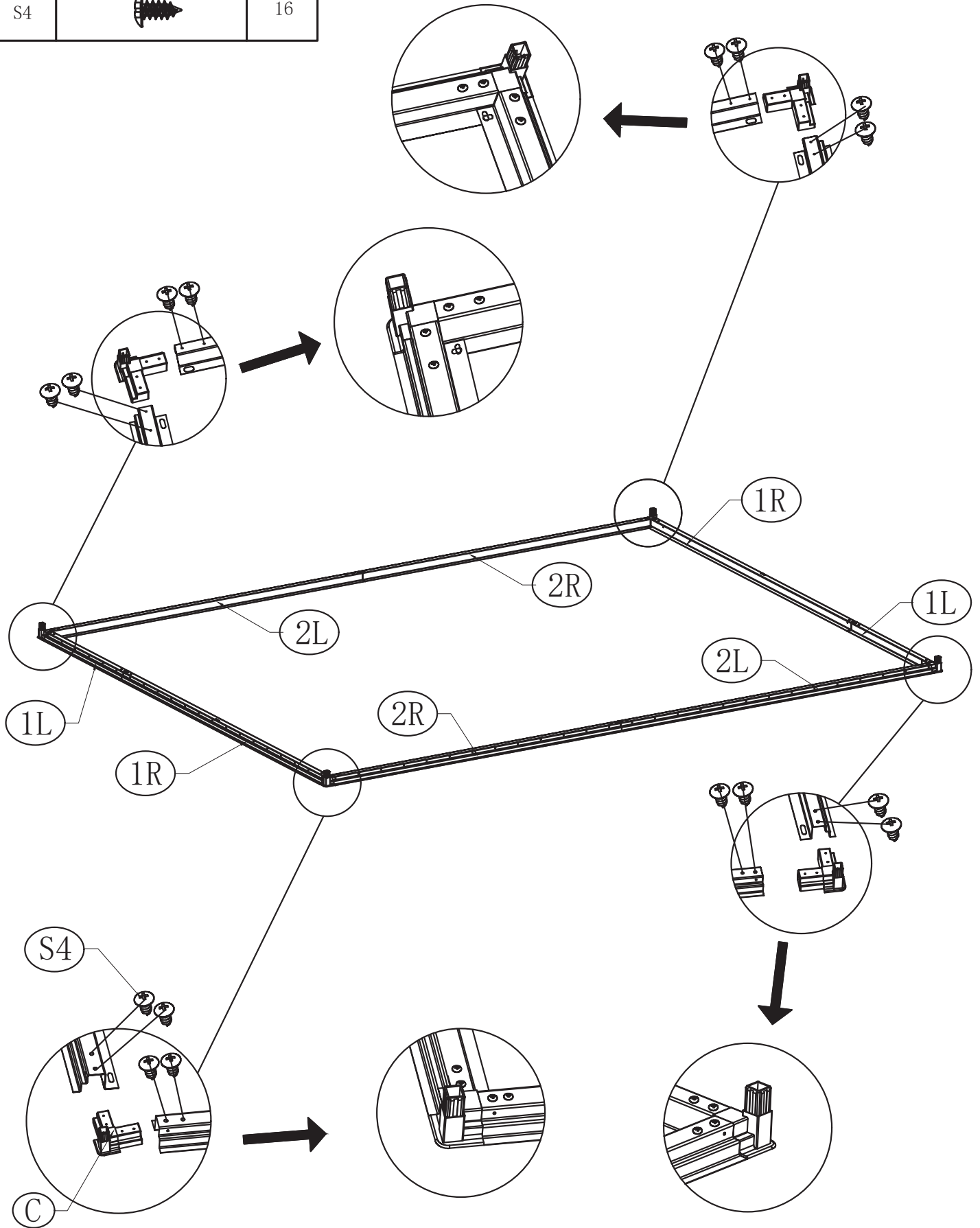
NO.	PART.	Qty.
1L	 601.1mm	2
1R	 1564.1mm	2
4B	 200mm	2
S4		8




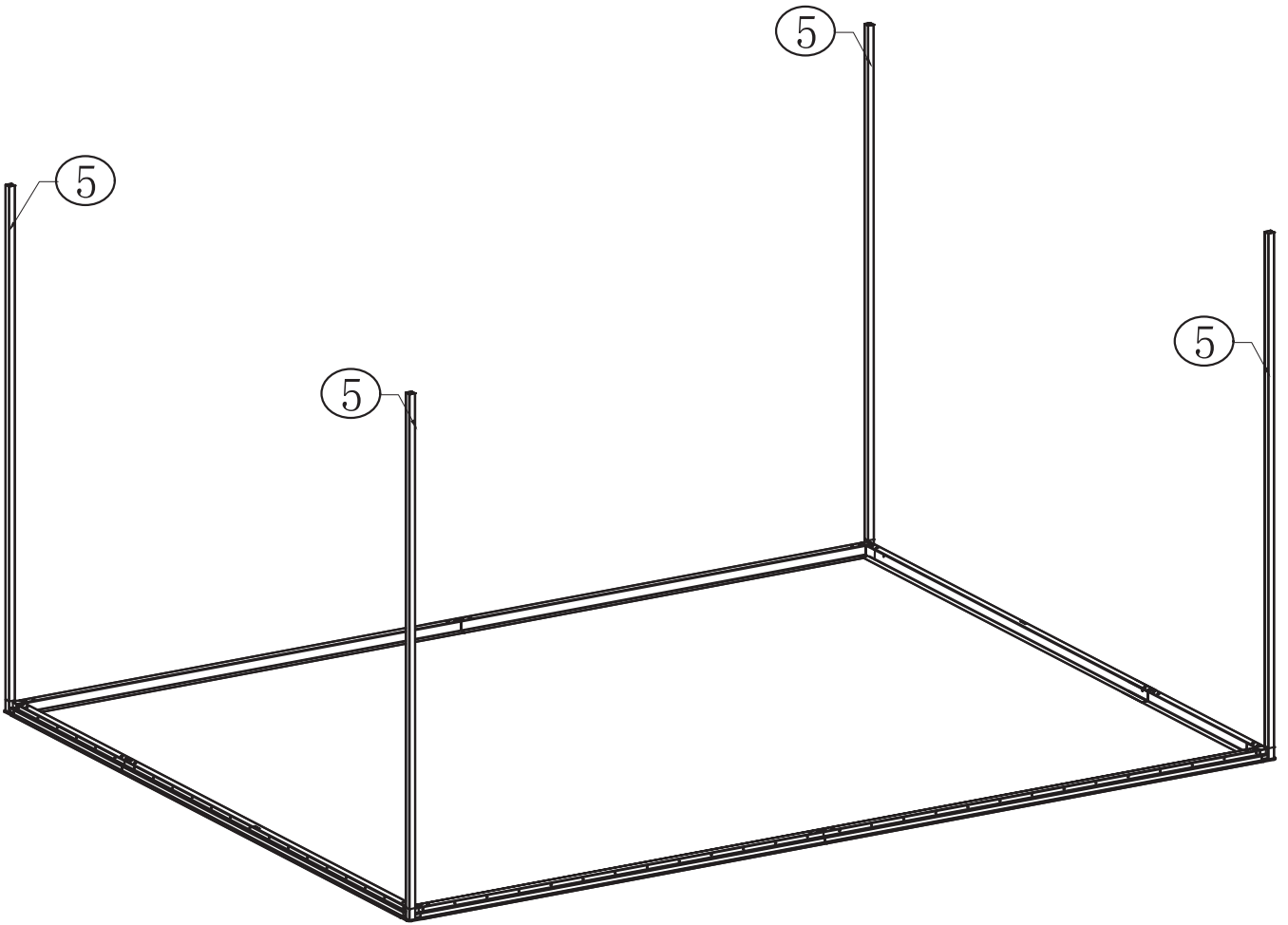
NO.	PART.	Qty.
2L	 1457.1mm	2
2R	 1350.1mm	2
4B	 200mm	2
S4		8







NO.	PART.	Qty.
C		4
S4		16

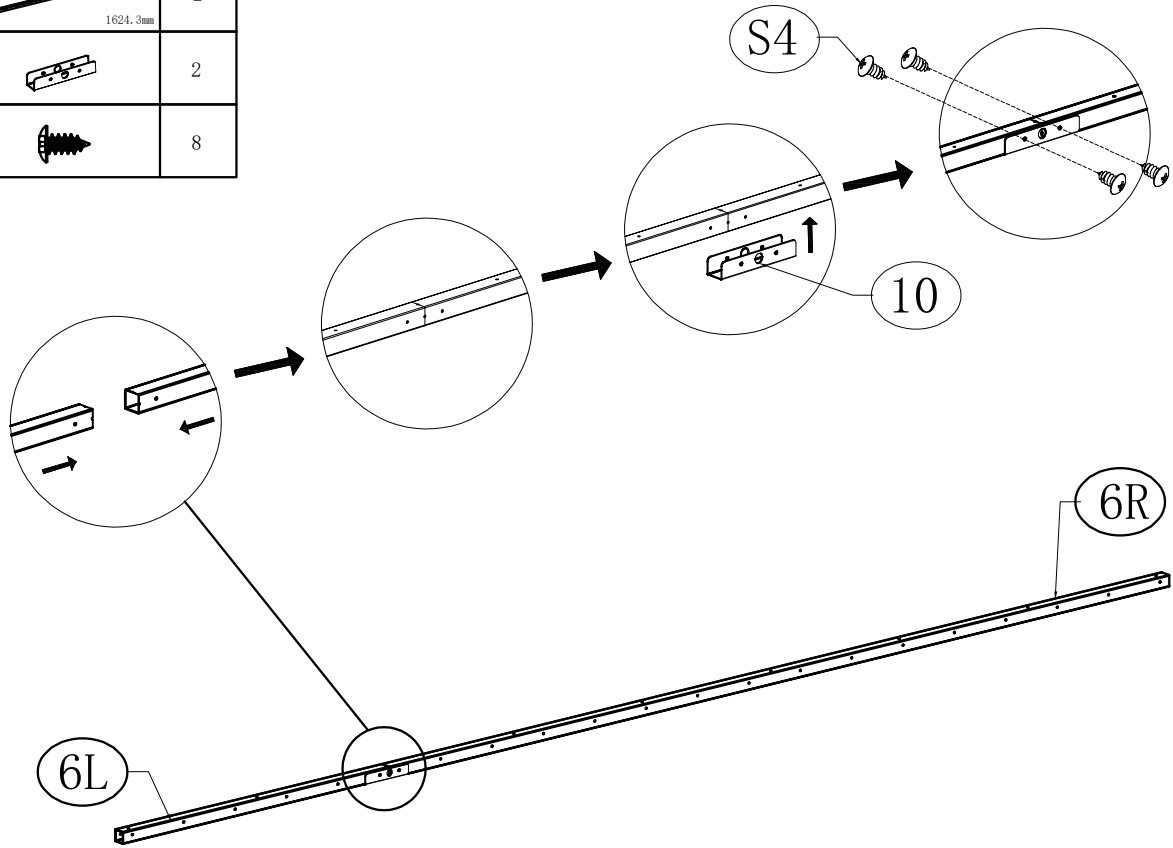


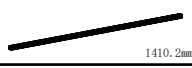



NO.	PART.	Qty.
5	 1550mm	4



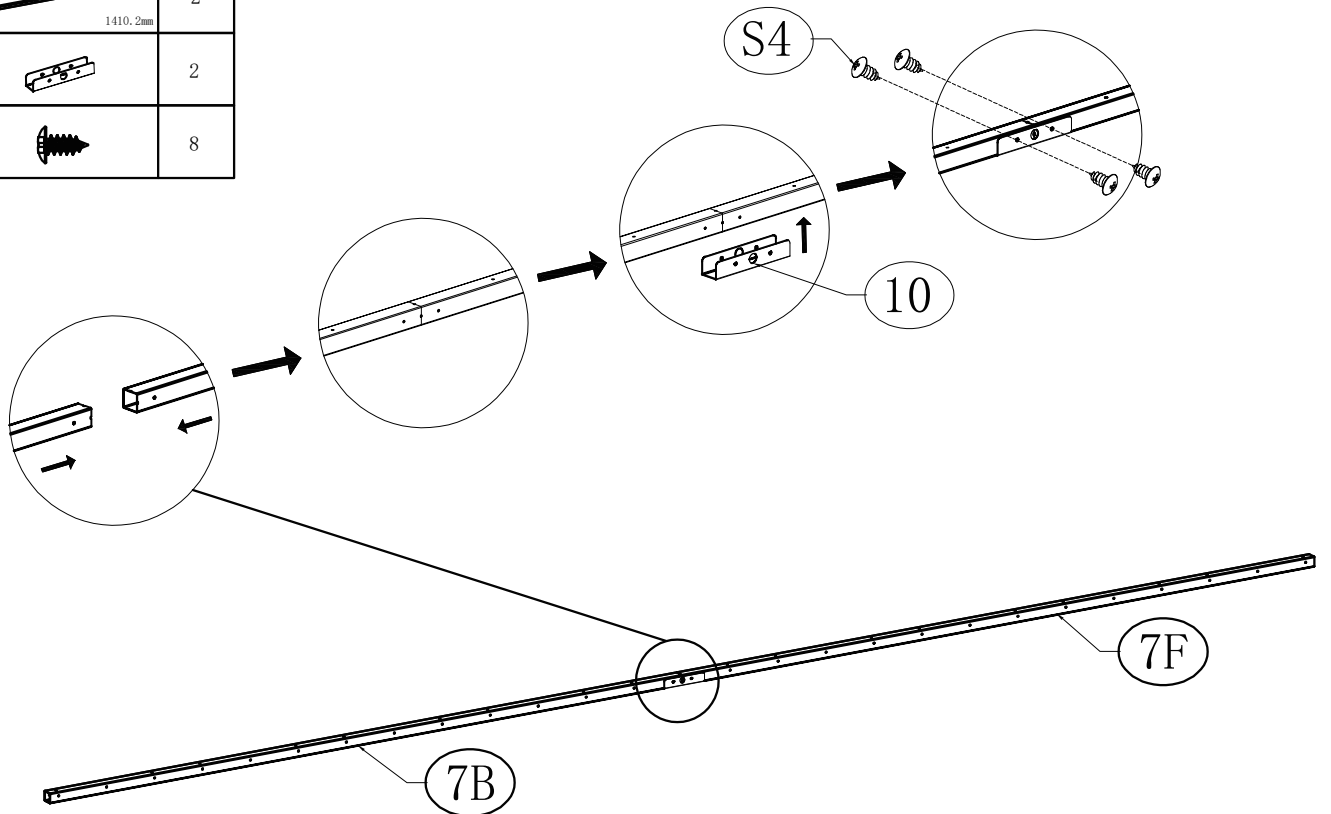
NO.	PART.	Qty.
6L	 554.3mm	2
6R	 1624.3mm	2
10		2
S4		8



X2

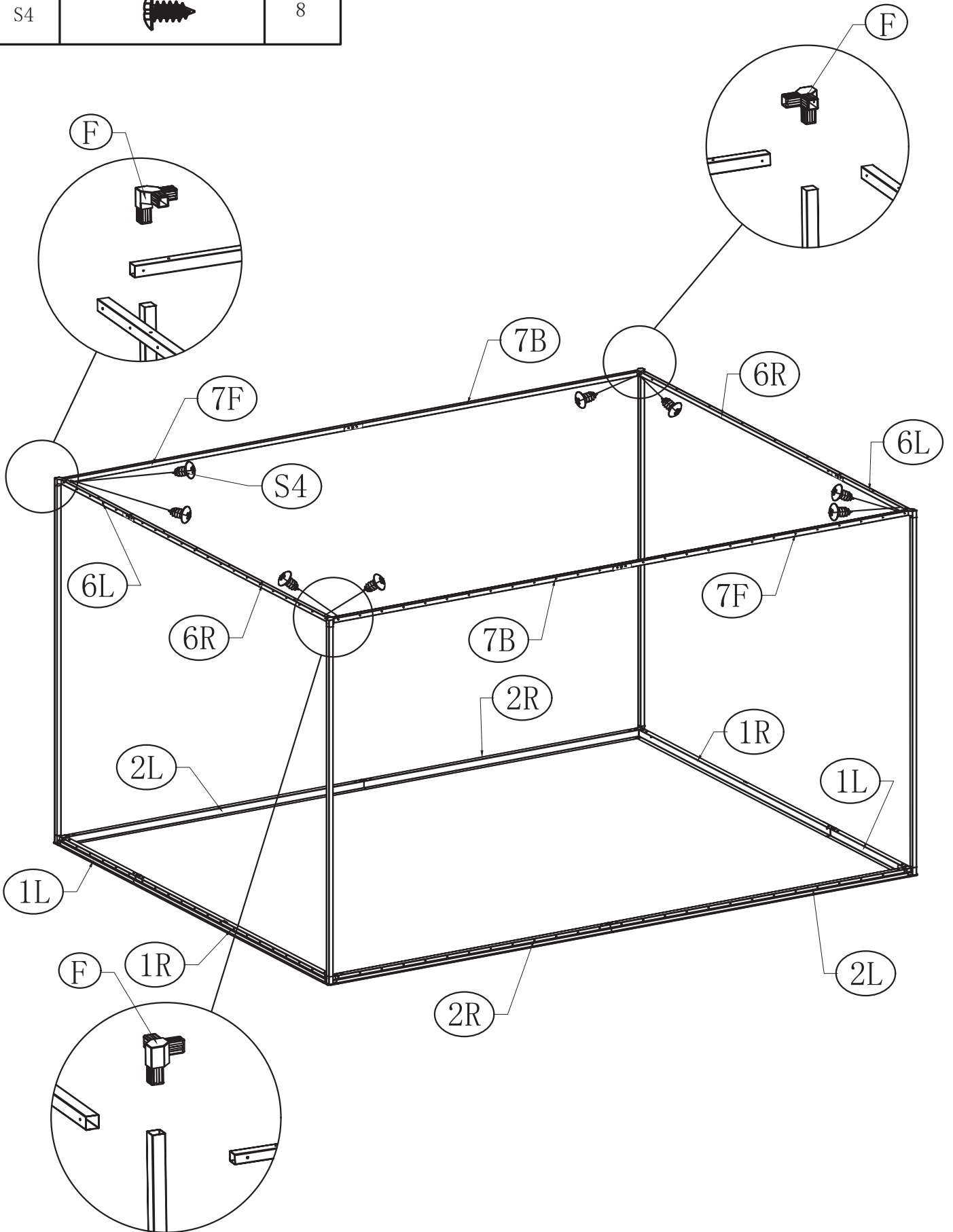


NO.	PART.	Qty.
7F	 1410.2mm	2
7B	 1410.2mm	2
10		2
S4		8






X2

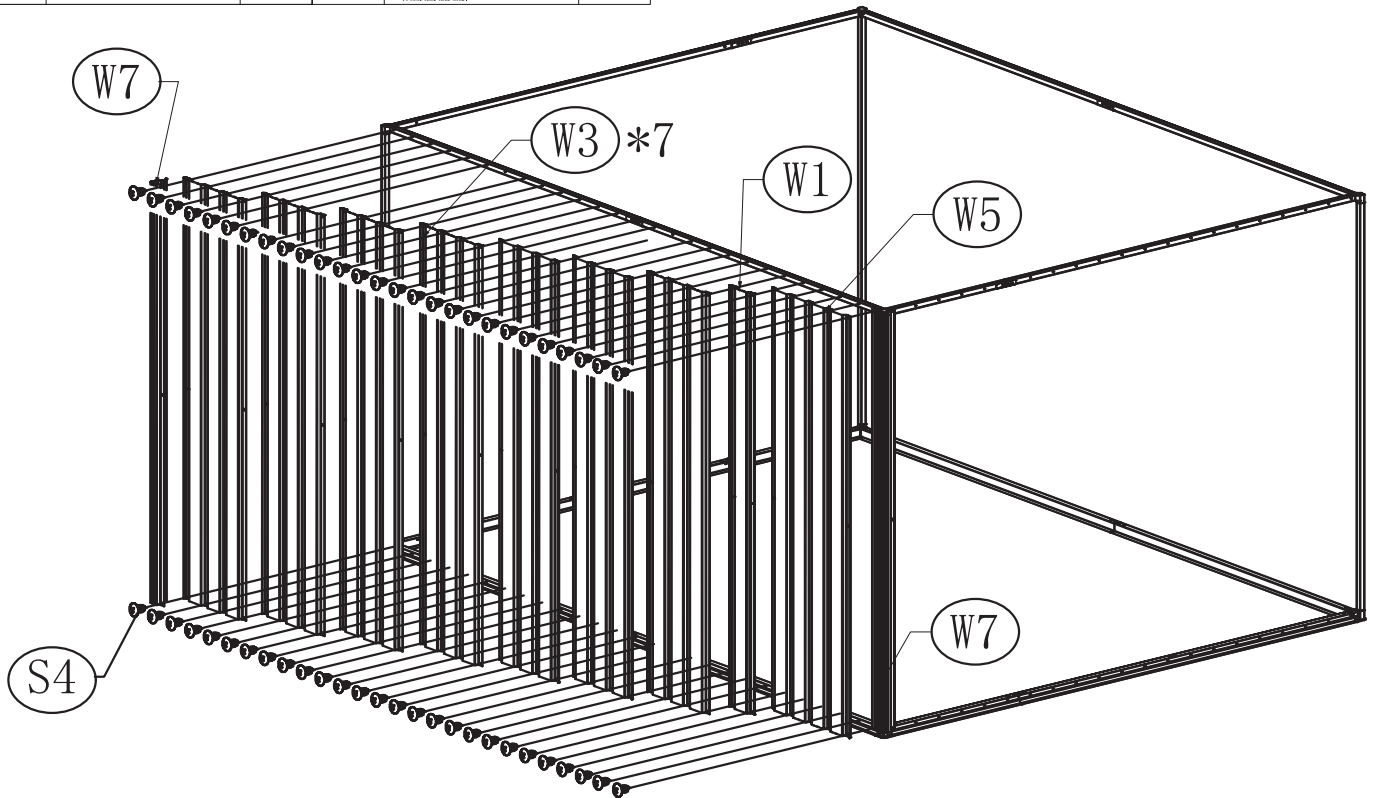




NO.	PART.	Qty.
F		4
S4		8

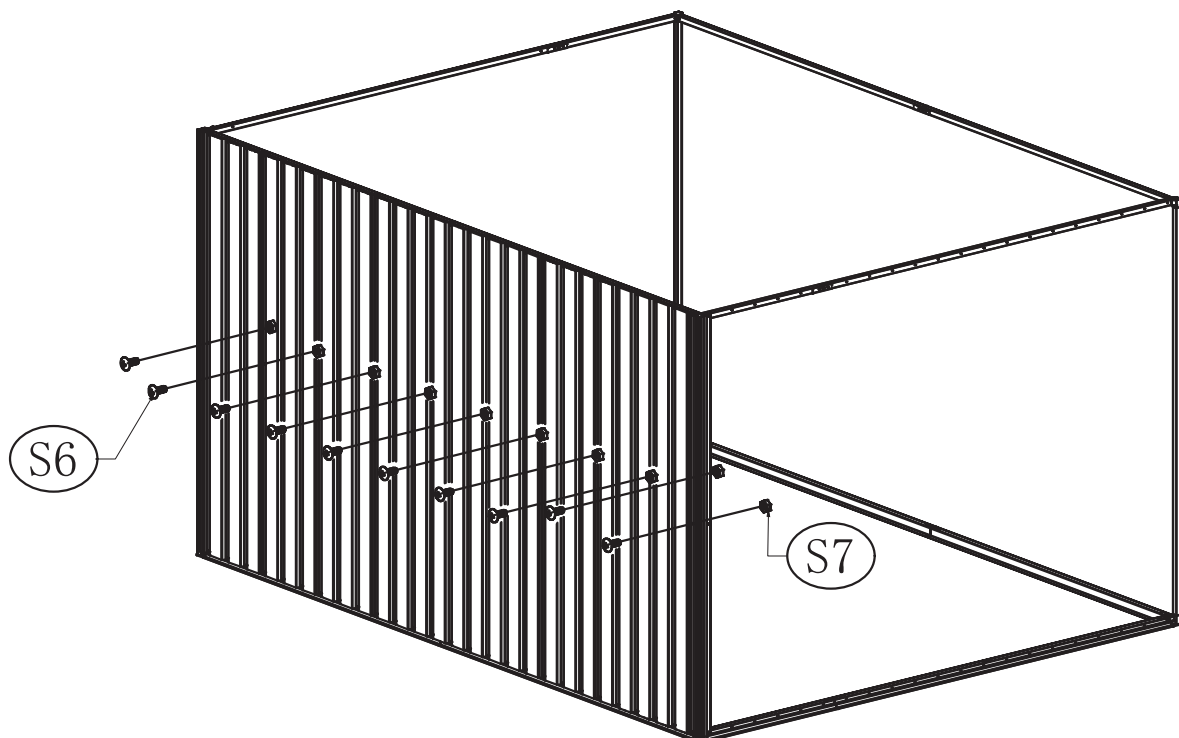


Shed Side Panels Assemble








NO.	PART.	Qty.	NO.	PART.	Qty.	NO.	PART.	Qty.
W7	 1600mm	2	W3	 1600mm	7	S4		54
W1	 1600mm	1	W5	 1600mm	1			

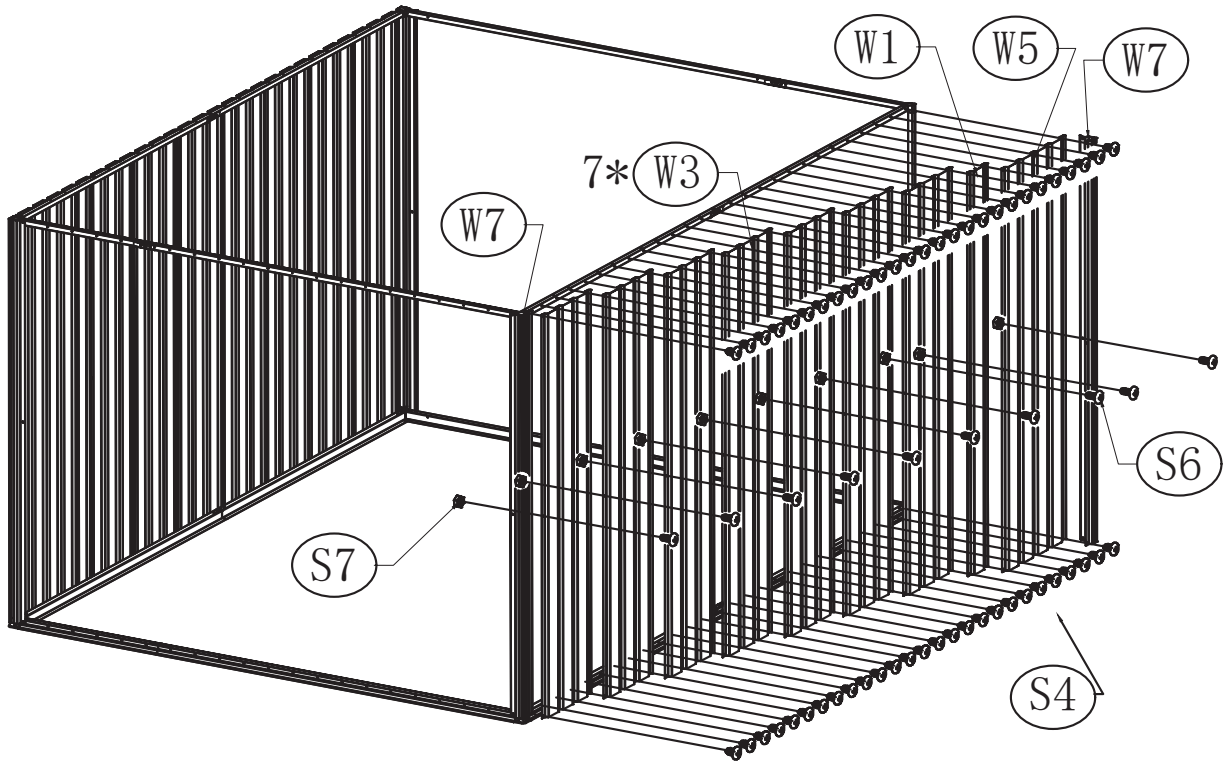








NO.	PART.	Qty.	NO.	PART.	Qty.
S6		10	S7		10



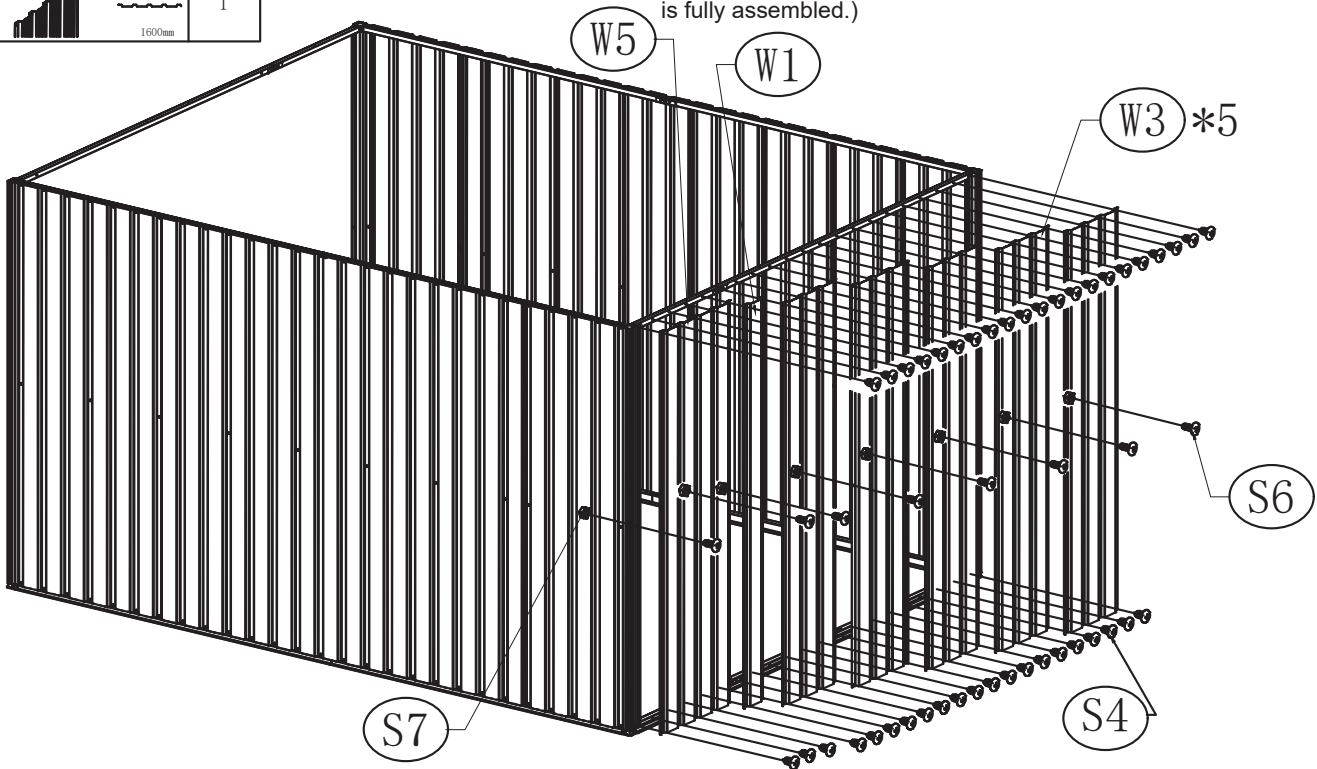
Shed Top Frame Assemble








NO.	PART.	Qty.	NO.	PART.	Qty.	NO.	PART.	Qty.	NO.	PART.	Qty.
W7	 1600mm	2	W1	 1600mm	1	S4		54	S6		10
W3	 1600mm	7	W5	 1600mm	1	S7		10			



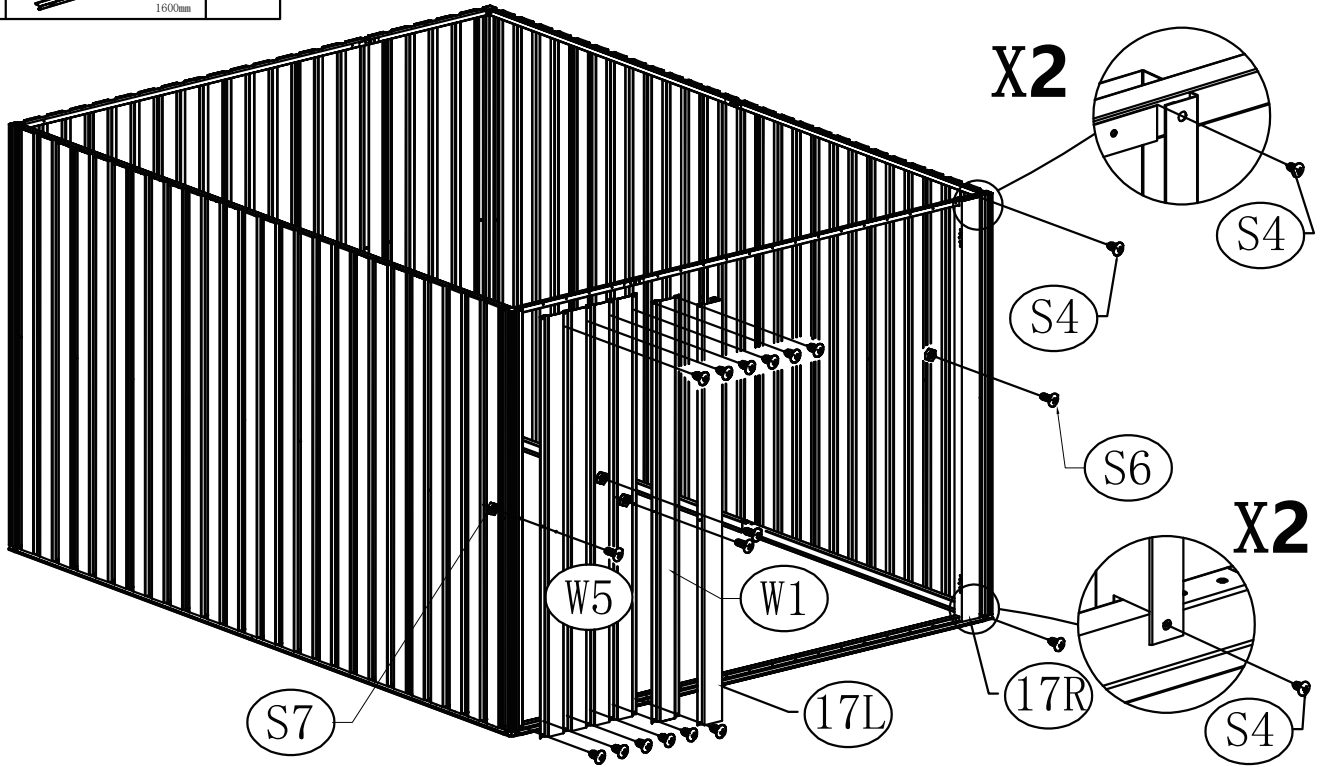
NO.	PART.	Qty.	NO.	PART.	Qty.	NO.	PART.	Qty.
W1	 1600mm	1	S4		42	S7		8
W3	 1600mm	5	S6		8			
W5	 1600mm	1						





NOTE: Could install either side of the door facing any direction to achieve the opposite leaning effect against the wall. (You can install it facing the other way or switch it around after the product is fully assembled.)

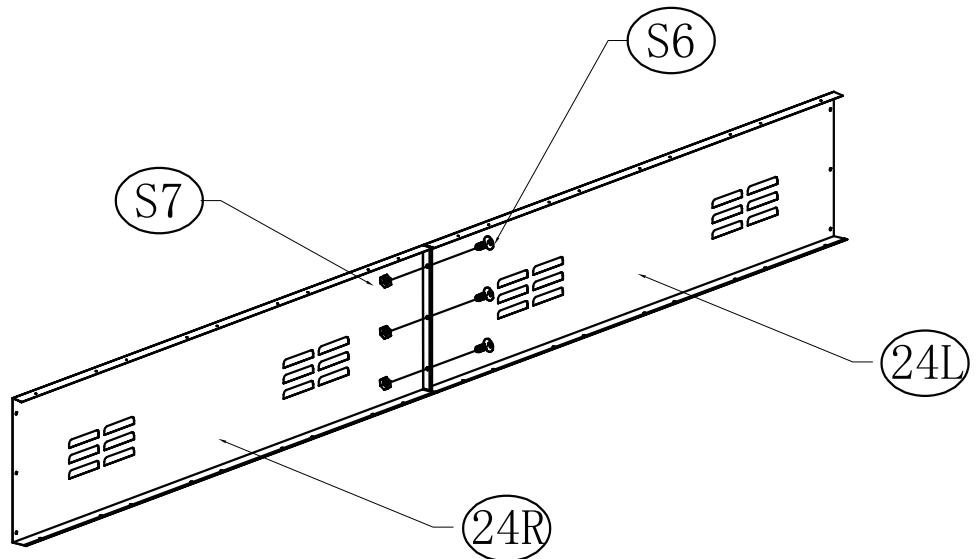



NO.	PART.	Qty.	NO.	PART.	Qty.	NO.	PART.	Qty.
W1		1	S4		18	S7		4
W5		1	17R		1	S6		4
17L		1						

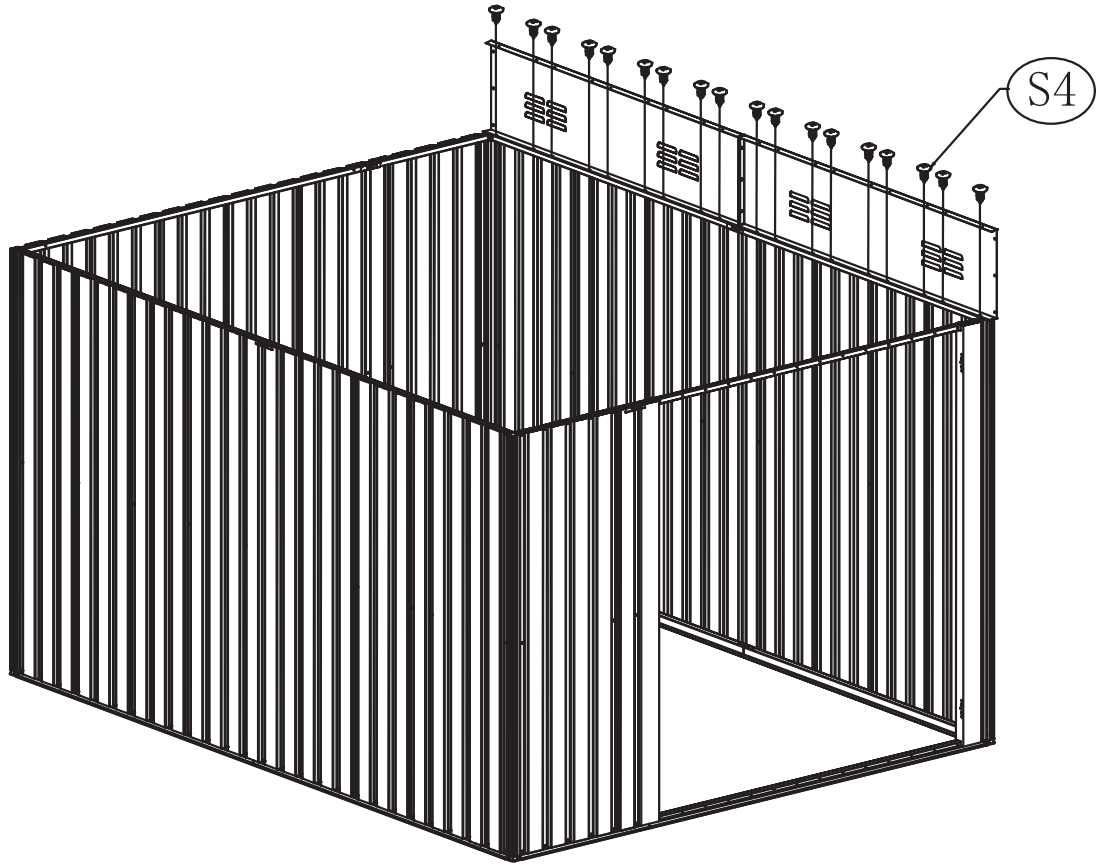
NOTE: Could install either side of the door facing any direction to achieve the opposite leaning effect against the wall. (You can install it facing the other way or switch it around after the product is fully assembled.)




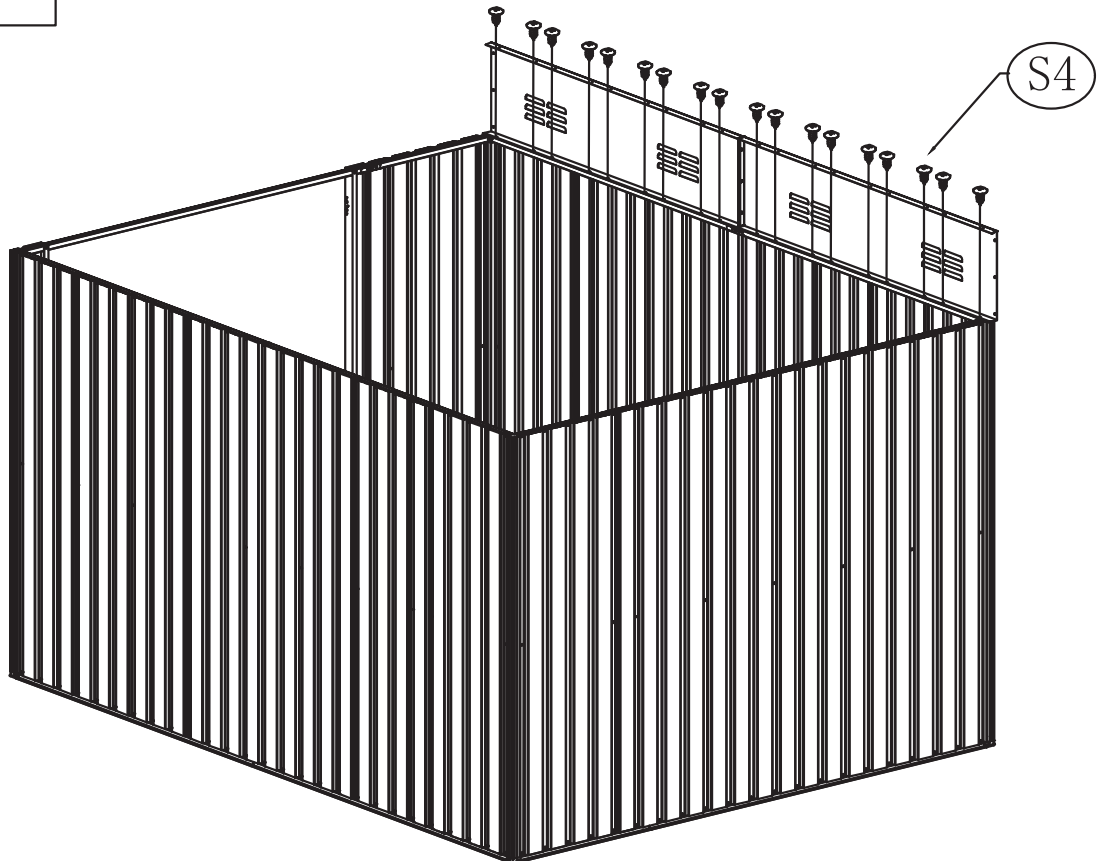
NO.	PART.	Qty.
24L		1
24R		1
S6		3
S7		3











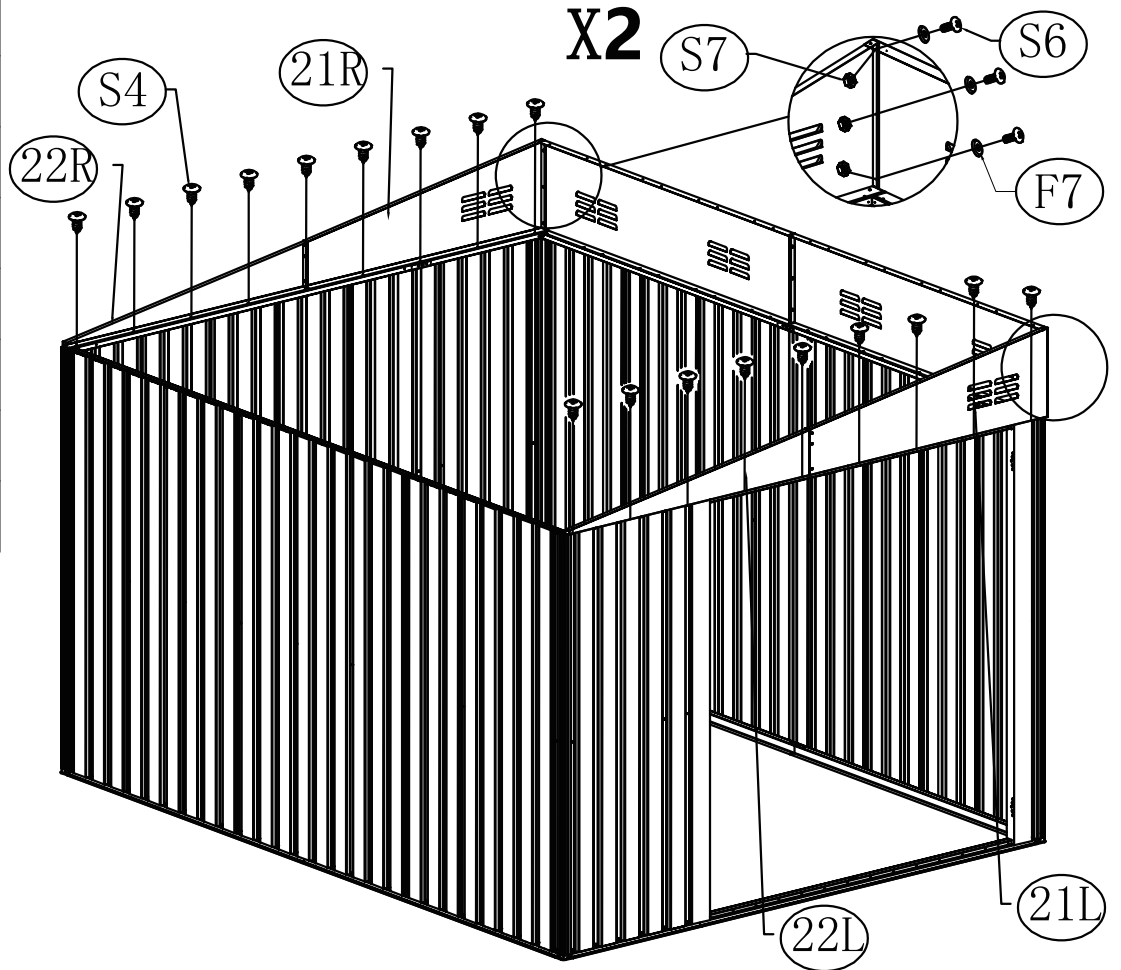
NO.	PART.	Qty.
S4		18











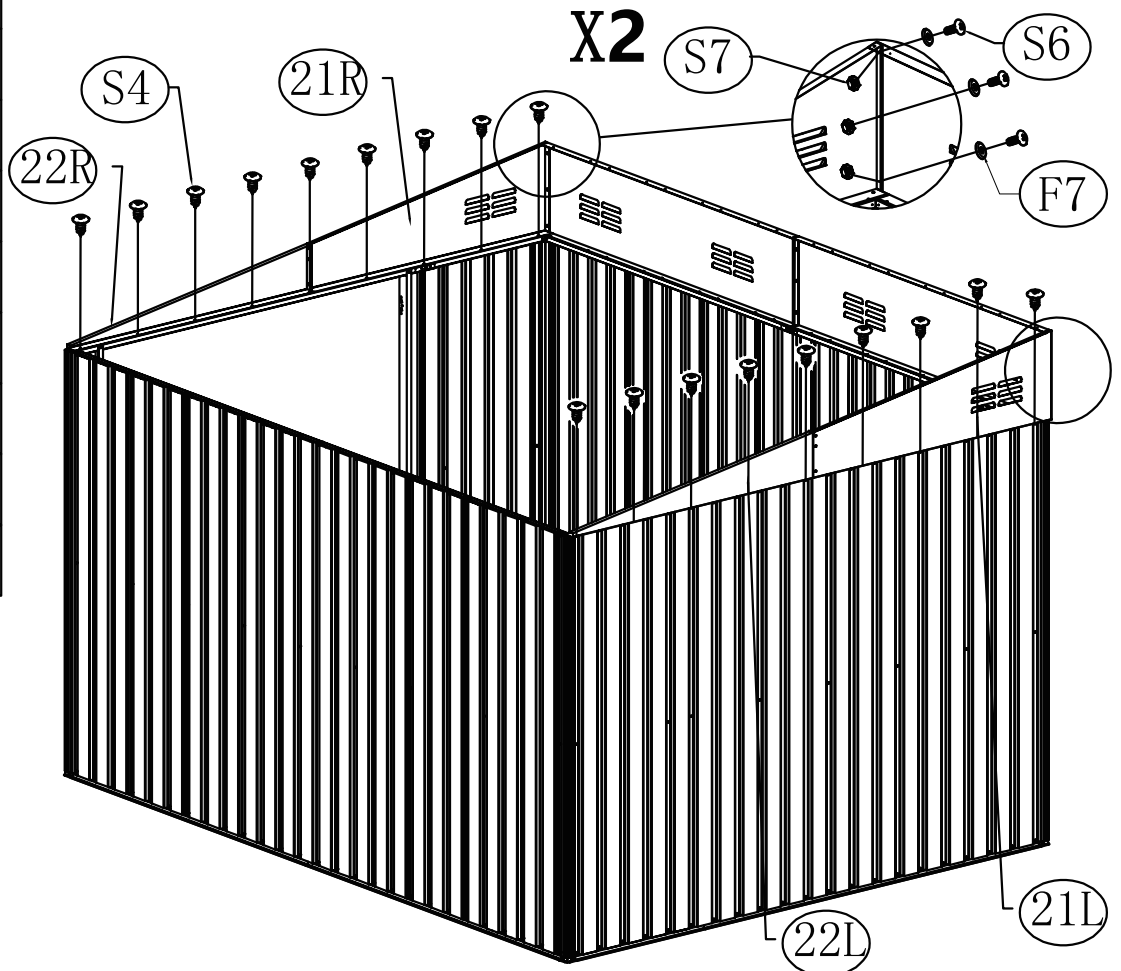
NO.	PART.	Qty.
S4		18








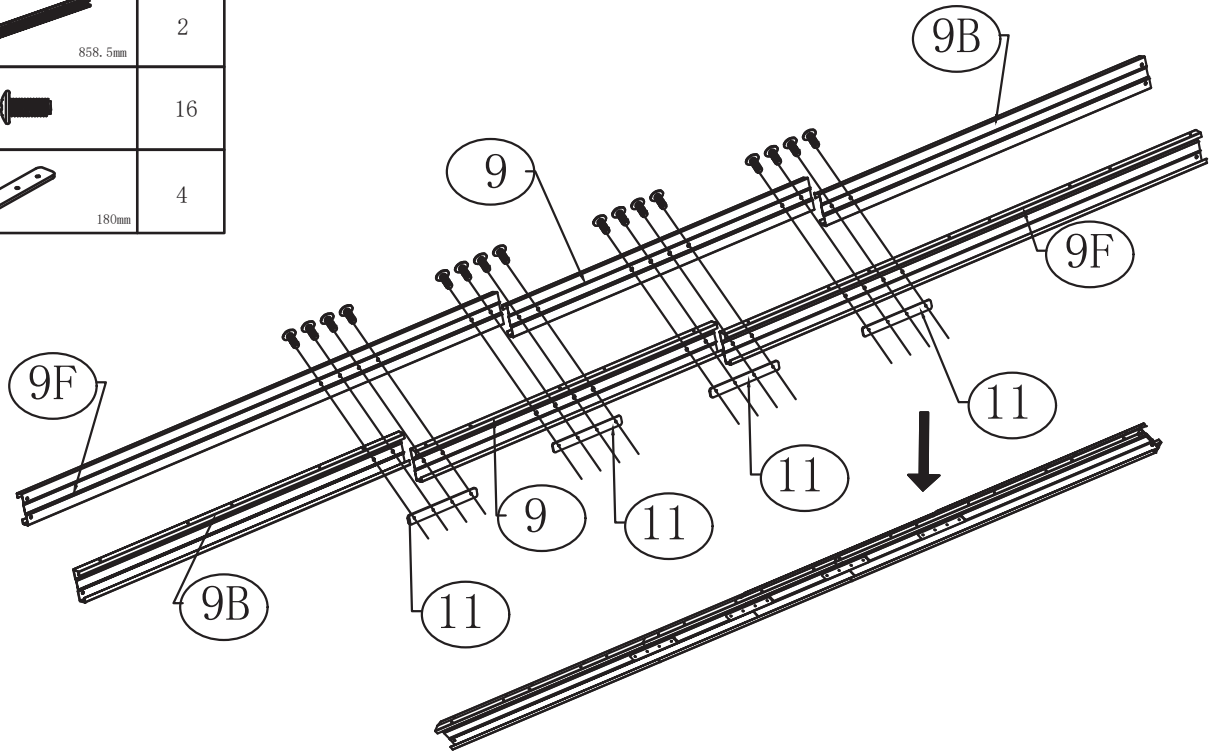
NO.	PART.	Qty.
21L		1
21R		1
22L		1
22R		1
S4		18
S6		6
S7		6
F7		6







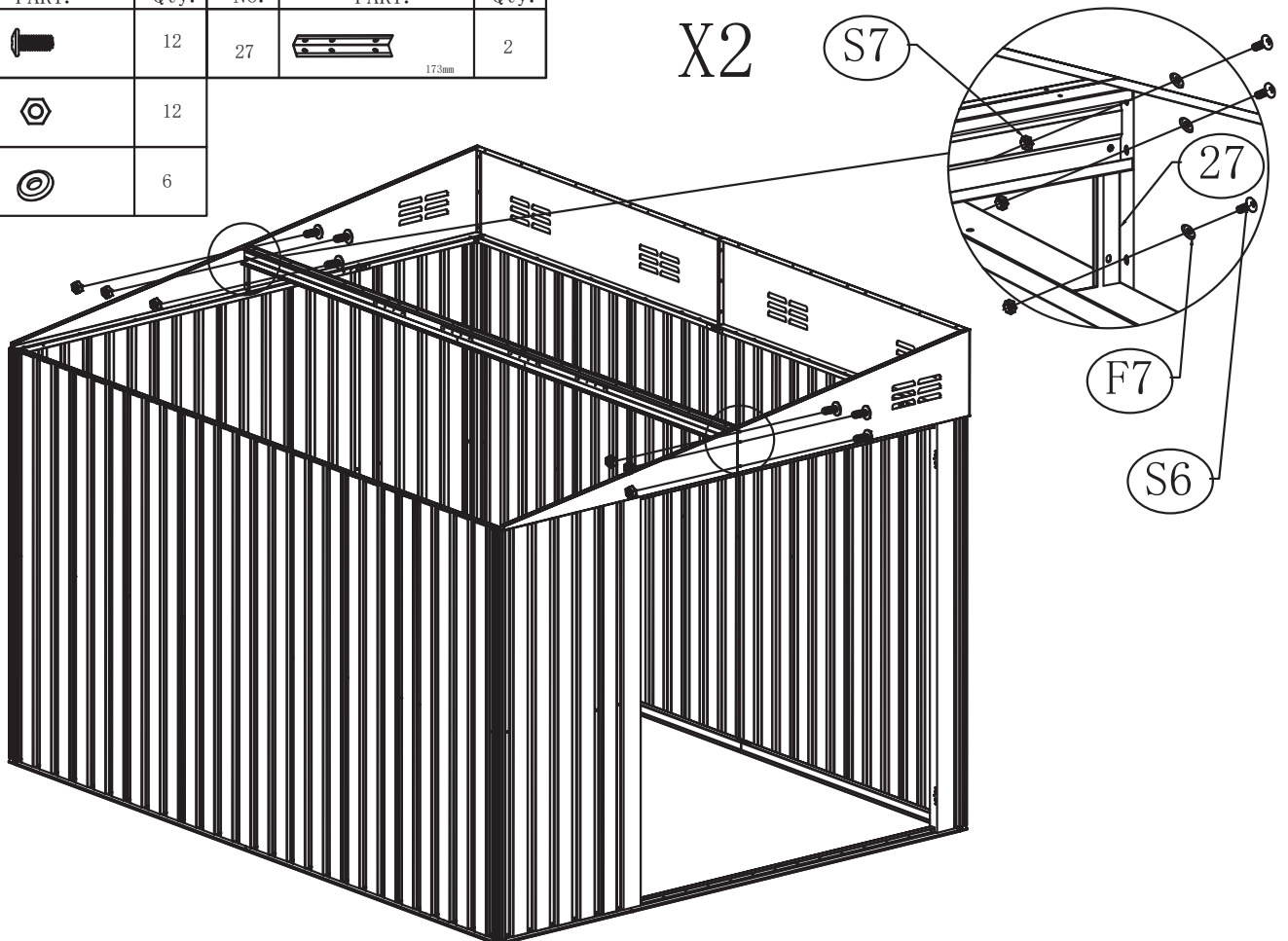
NO.	PART.	Qty.
21L		1
21R		1
22L		1
22R		1
S4		18
S6		6
S7		6
F7		6







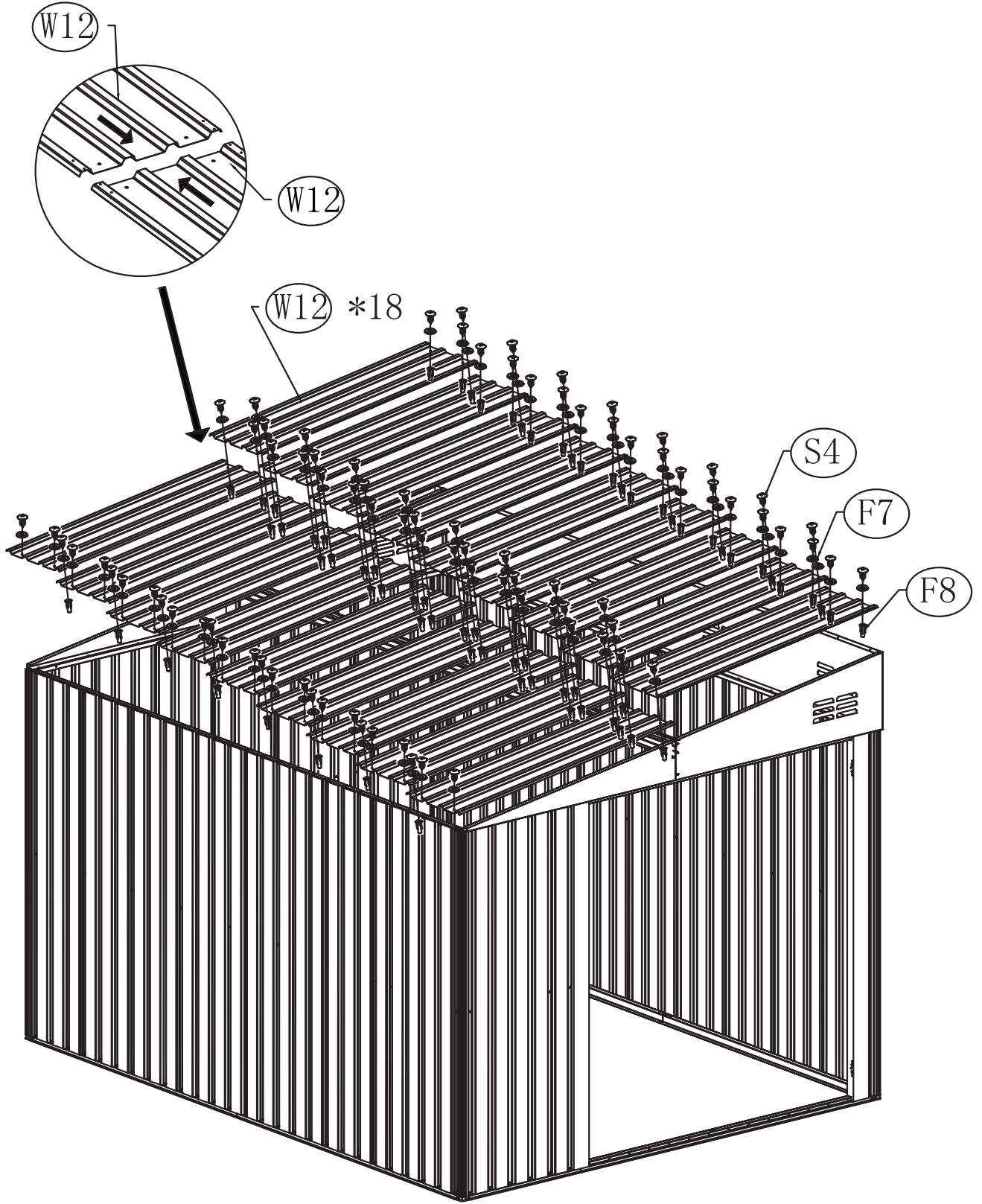
NO.	PART.	Qty.
9	 794.5mm	2
9F	 1256mm	2
9B	 858.5mm	2
S6		16
11	 180mm	4






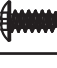





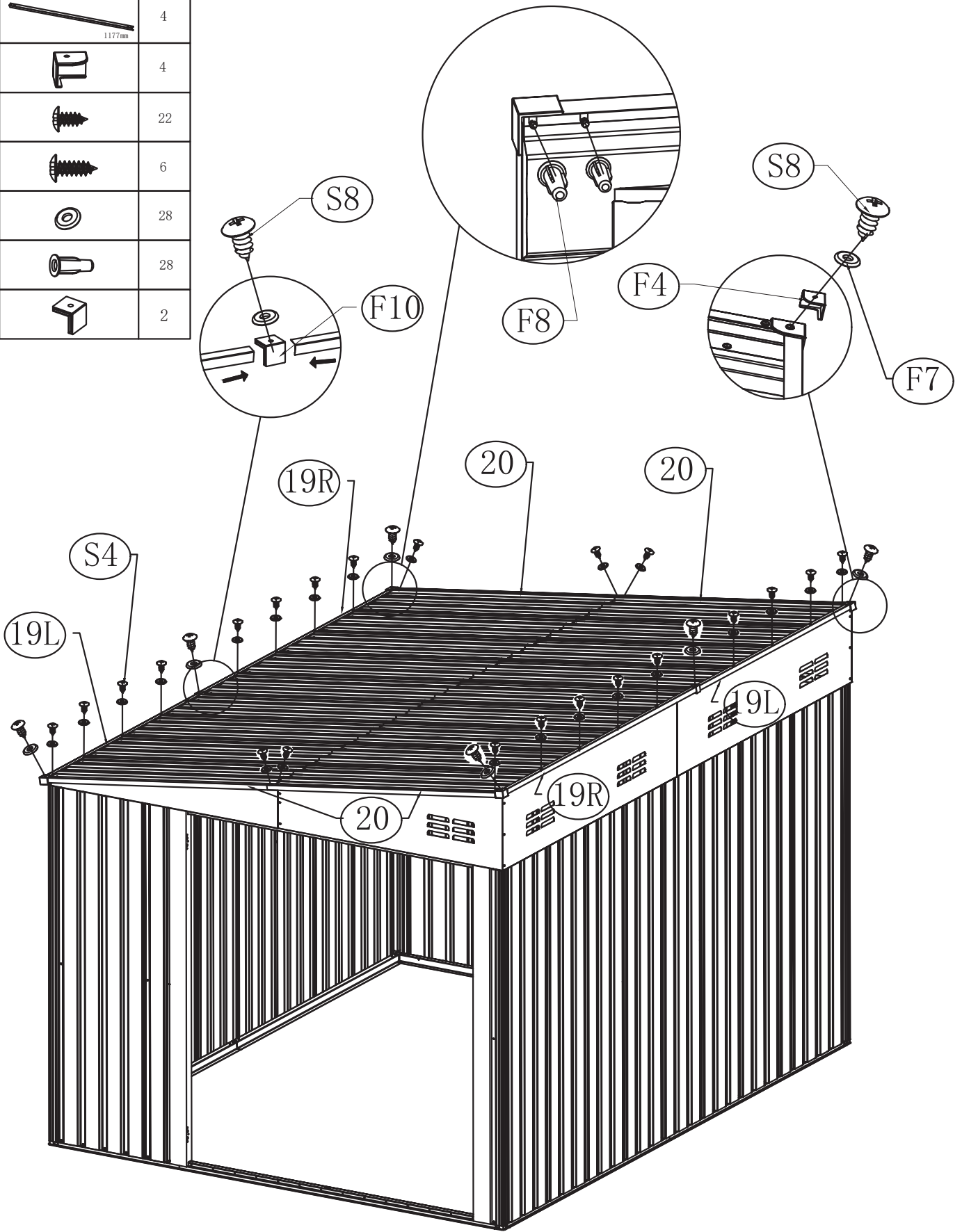
NO.	PART.	Qty.	NO.	PART.	Qty.
S6		12	27	 173mm	2
S7		12			
F7		6			










NO.	PART.	Qty.	NO.	PART.	Qty.	NO.	PART.	Qty.
W12	 1169mm	18	S4		86	F8		68
F7		86						

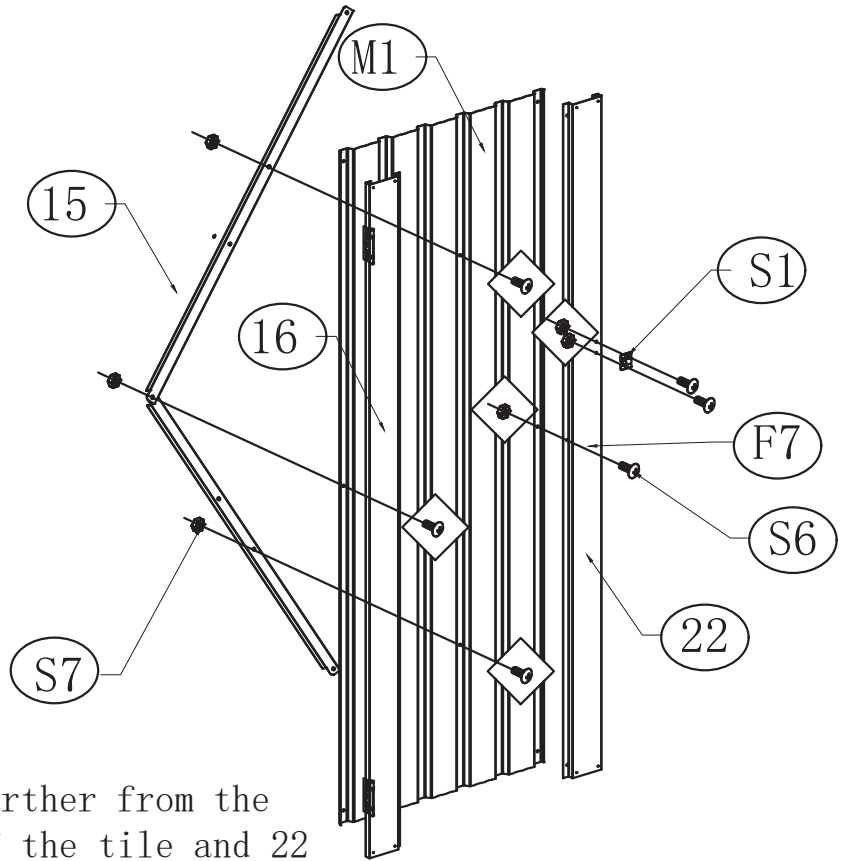


NO.	PART.	Qty.
19L	 1286mm	2
19R	 1607mm	2
20	 1177mm	4
F4		4
S4		22
S8		6
F7		28
F8		28
F10		2





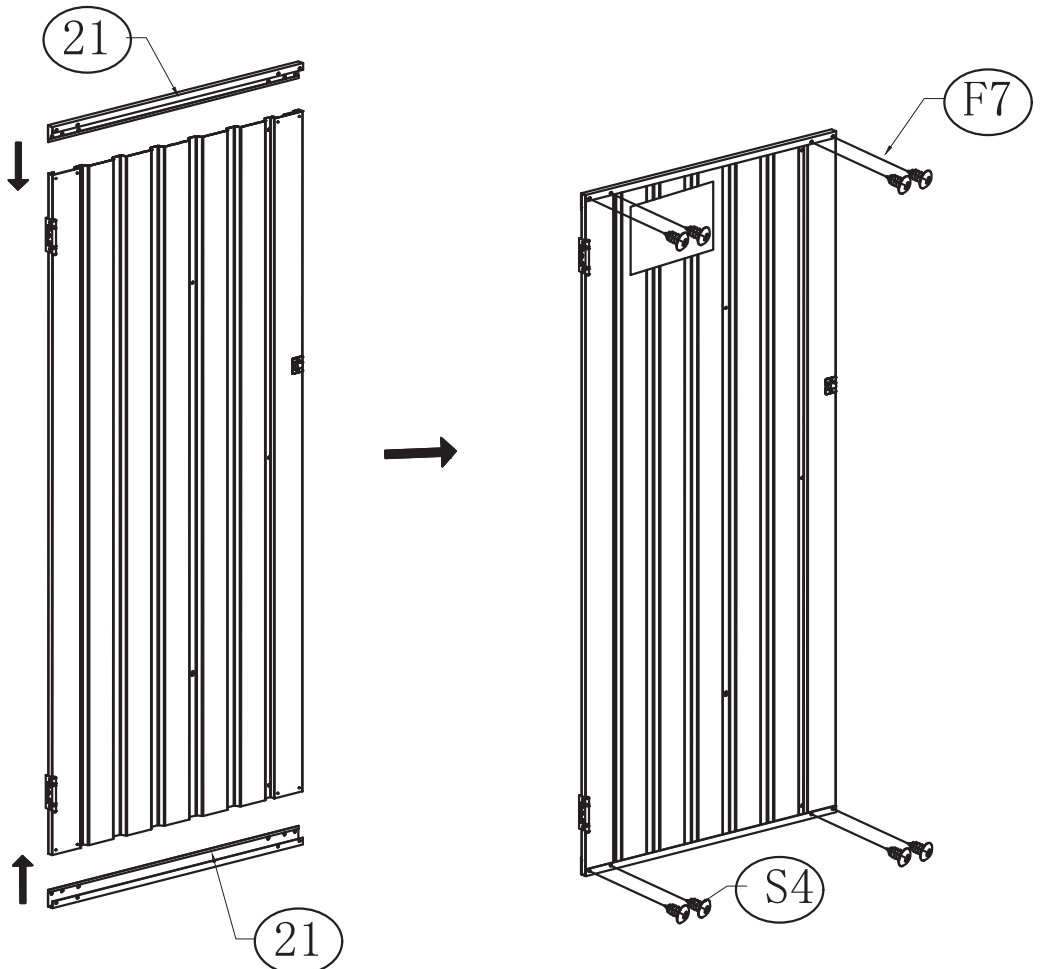
Door Assemble






NO.	PART.	Qty.
15	 956mm	2
16	 1592mm	1
22	 1592mm	1
M1	 1590mm	1
S6		6
S7		6
S1		1

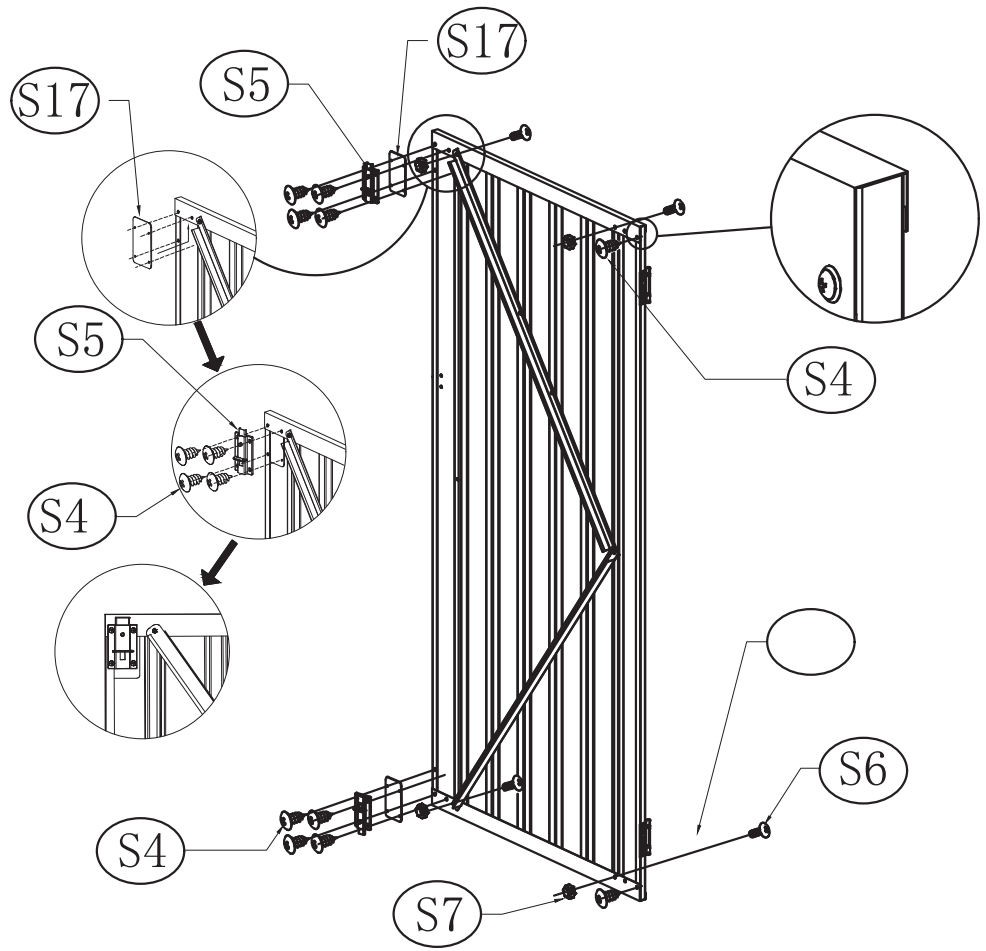






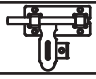



Put 16 on the side farther from the hole in the center of the tile and 22 on the side nearer.

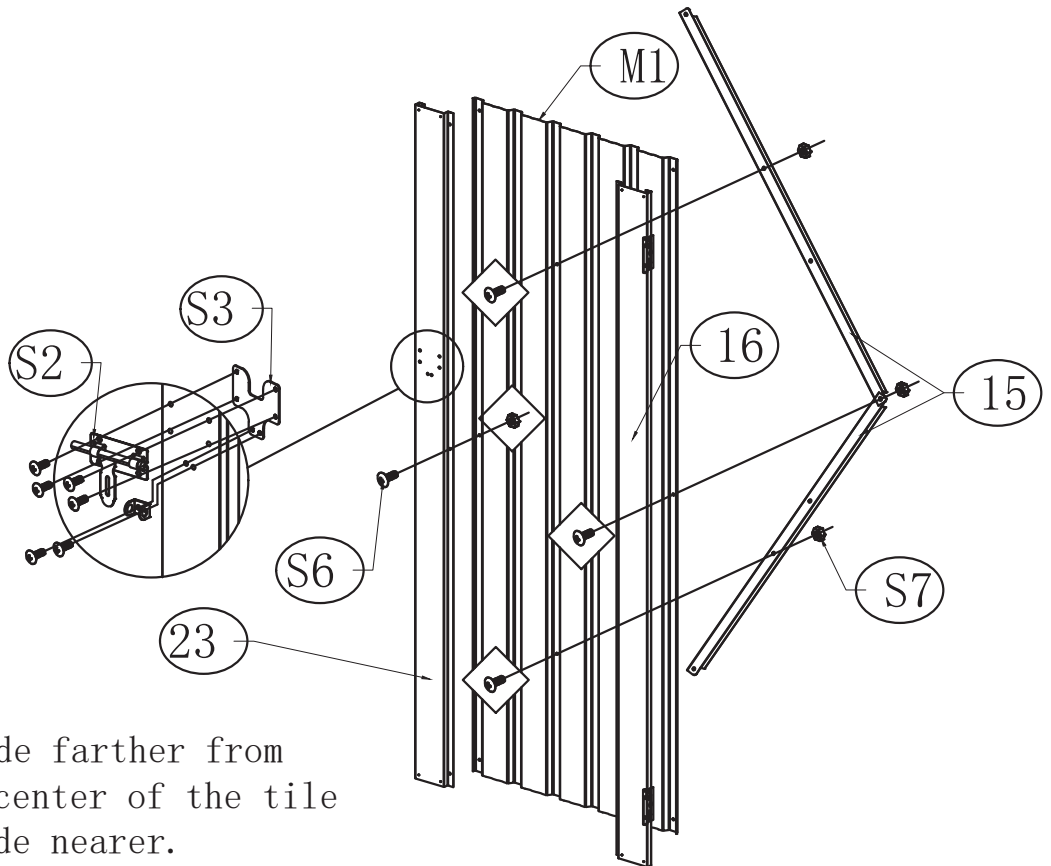
NO.	PART.	Qty.
21	 705mm	2
S4		8





NO.	PART.	Qty.
S4		10
S5		2
S6		4
S7		4
S17		2

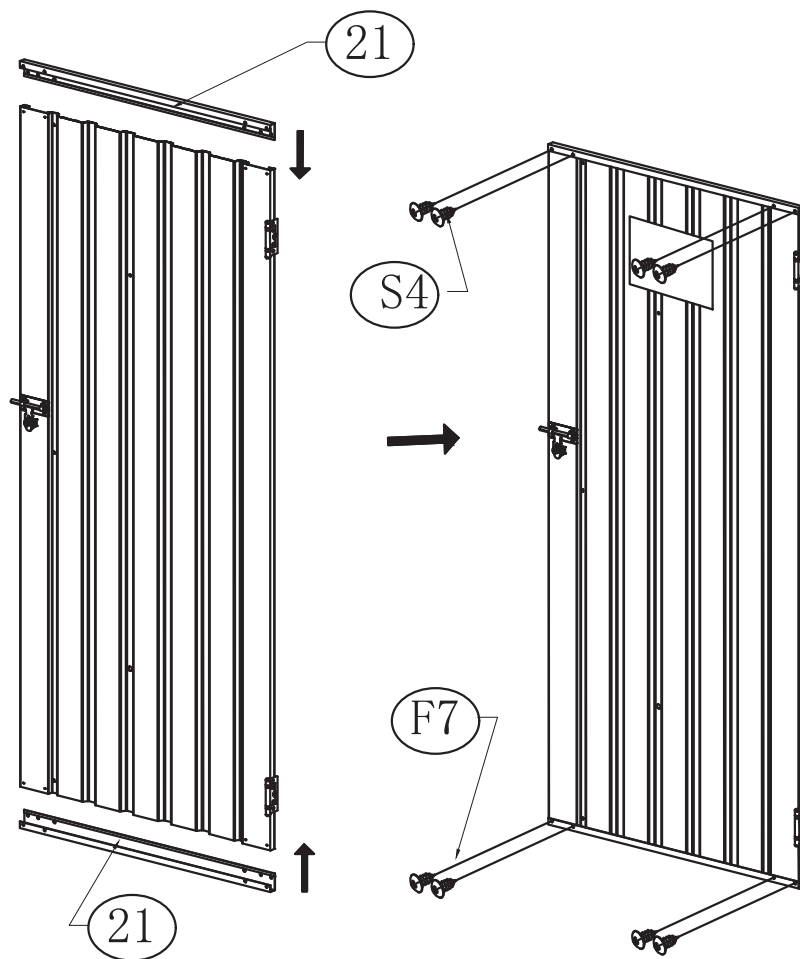





NO.	PART.	Qty.
15	 956mm	2
16	 1592mm	1
23	 1592mm	1
M1	 1590mm	1
S2		1
S3		1
S6		10
S7		4

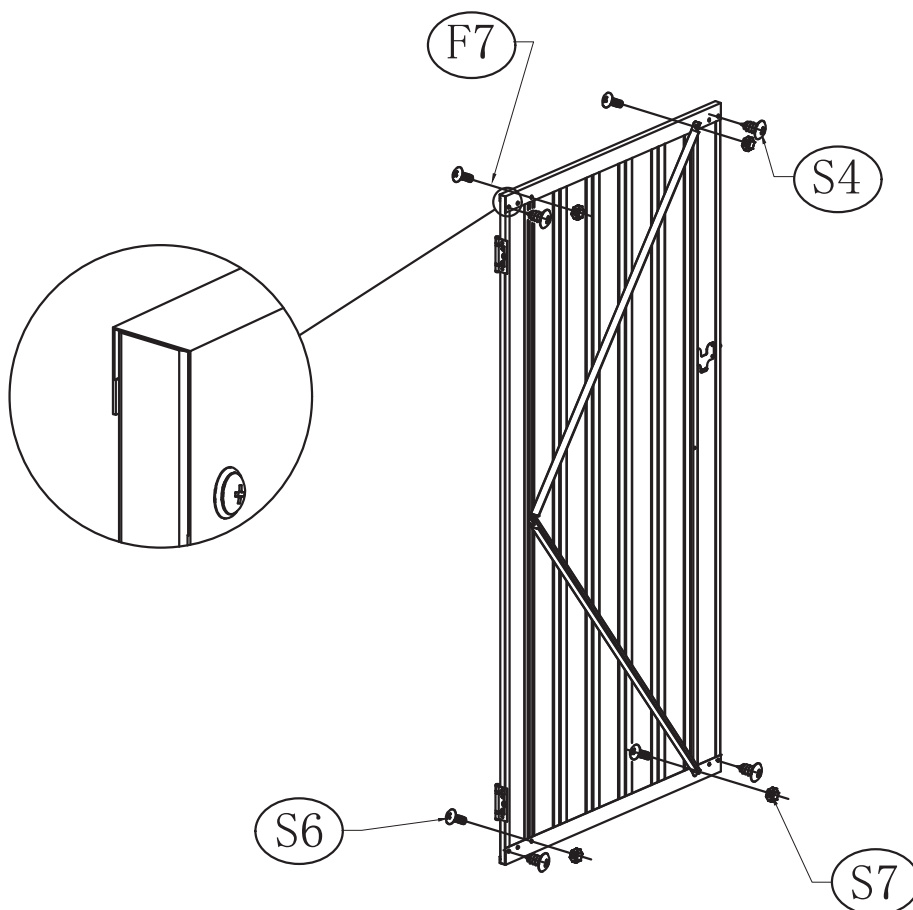





Put 16 on the side farther from the hole in the center of the tile and 23 on the side nearer.

NO.	PART.	Qty.
21	 705mm 2	2
S4		8



NO.	PART.	Qty.
S4		4
S6		4
S7		4



NO.	PART.	Qty.
S6		12
S7		12
S9		4

