

INSTRUCTION MANUAL

15 FT Rectangular Patio Umbrella with Base



WARNING:

1. Do not use the umbrella or umbrella base on a soft, muddy or sandy surface.
2. Umbrella base requires 100kgs in order to work properly.
3. Umbrella may not withstand high winds, To avoid injury or damage, do not use in high wind conditions, Always retract umbrella when not in use. Umbrella base must be filled to capacity in order to work properly.

Please Note

Carefully and thoroughly read the instructions before and during assembly to ensure proper installation of the unit. We strongly recommend you to keep this manual for regular review and future reference.

ATTENTION:

1. Please check the manual carefully and make sure you have received all the parts.
2. If there is any missing, please let us know the letter of the parts you need.
3. If there is any damage, please send clear photos to us, we will check and offer you best solution soon.

Storage:

1. Before storing your umbrella, make sure it is completely dry and clean.
2. Keep the umbrella in a dry and well-ventilated place to protect against mildew.
3. To ensure long-lasting use of your umbrella, only use very mild cleaning

products on it. Then allow it to dry thoroughly. Mildew spots can be removed with a mild cleaning product. Never use cleaning products that contain solvents, as these will bleach and damage the material.

Tip: To avoid damage, never use alkali or acidic cleaning products or steam cleaners to clean the umbrella. To prevent material damage, remove any collected water from the canopy by either draining off the water or by dismantling the umbrella. Please remember that your canopy is NOT 100% waterproof and that water can seep through the seams and/or the material. Your umbrella protects you from the sun and is not a rain shelter.

4. Clean with damp cloth.

Warranty period: 180 days.

Lost Accessories or Parts Policy : The cost for lost accessories or parts will be incurred after 90 days from the date of purchase.

Pre-assembly (continued)

Assemble the item on a soft, non-abrasive surface, such as carpet or cardboard to avoid damaging the item. Seek assistance when assembling bulky or heavy items.



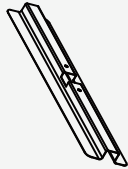
NOTE: Identify all parts packed in the carton against the parts list. Remove all the protective material carefully and DO NOT use a knife to prevent scratching the furniture.

PACKAGE CONTENTS



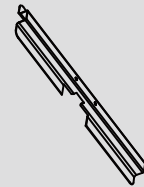
NOTE: Hardware not shown to actual size.

A
X1



Cross-shaped Lower Tile

B
X1



Cross-shaped Upper Tile

C
X1



Foot Tube

D
X4
M8*20



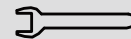
Screw

E
X4



Washer

F
X1



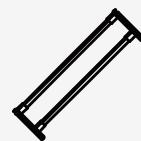
Wrench

G
X4



Frame Tile

H
X4



Base Frame

Pre-assembly (continued)

Assemble the item on a soft, non-abrasive surface, such as carpet or cardboard to avoid damaging the item. Seek assistance when assembling bulky or heavy items.



NOTE: Identify all parts packed in the carton against the parts list. Remove all the protective material carefully and DO NOT use a knife to prevent scratching the furniture.

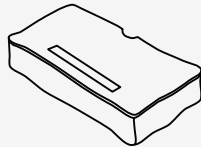
PACKAGE CONTENTS



NOTE: Hardware not shown to actual size.

J

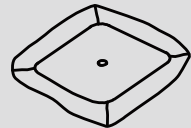
X2



Sandbag

K

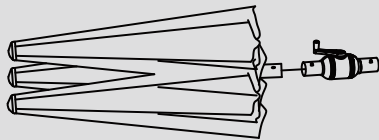
X1



Base Cover

L

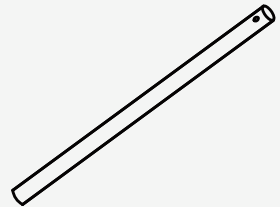
X1



Umbrella

M

X1



Lower Umbrella Pole

O



X12

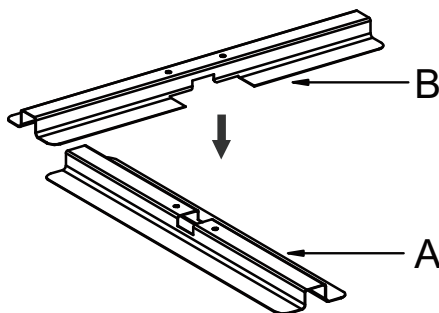


Connecting Umbrella Ribs




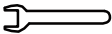
Assembly

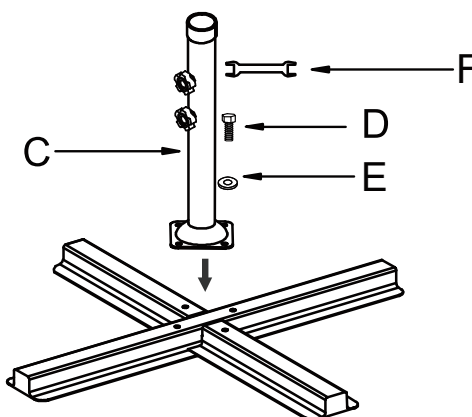
1

	AX 1
	BX 1



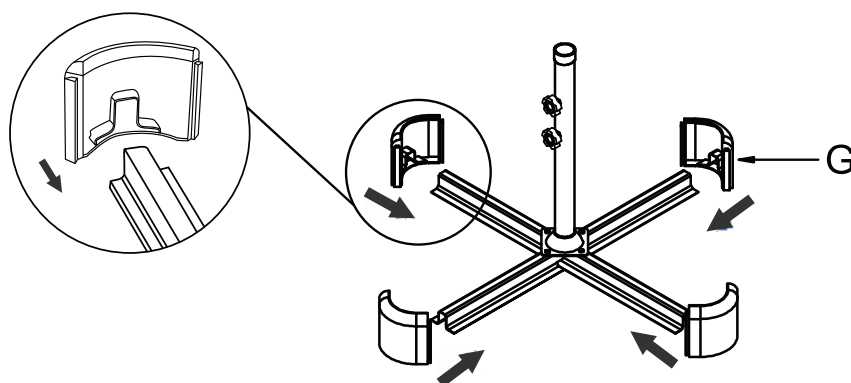
2

	CX 1
 M8*20	DX 4
	EX 4
	FX 1



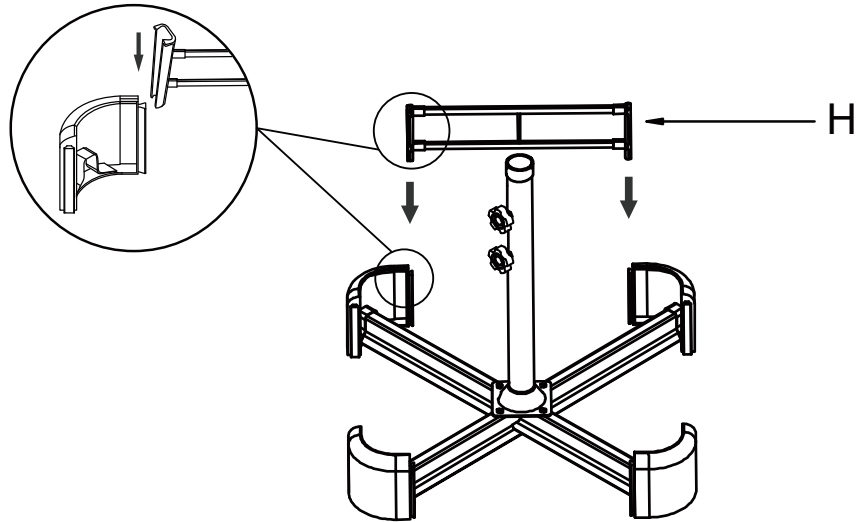
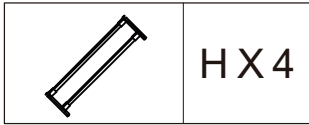
3

	GX 4
---	------

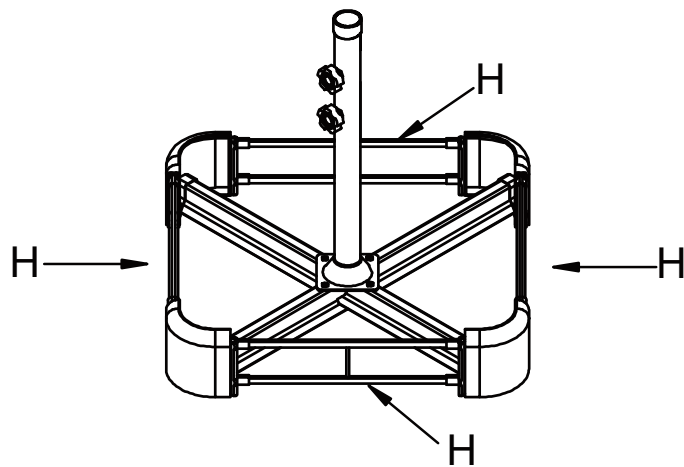


Assembly

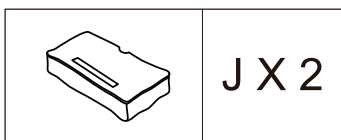
4



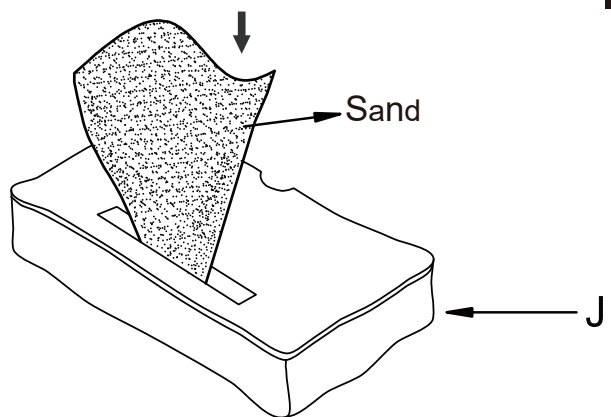
5



6

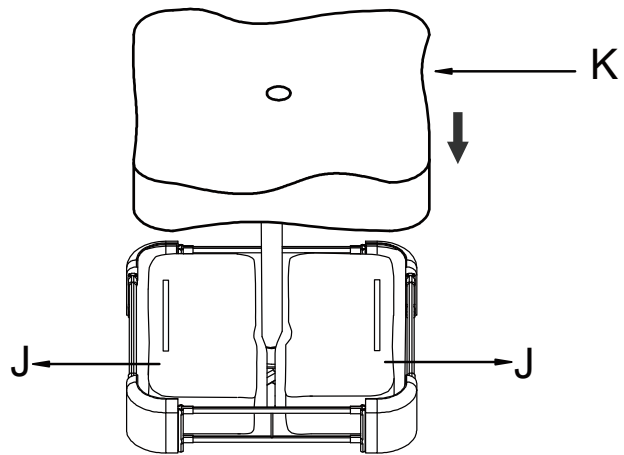
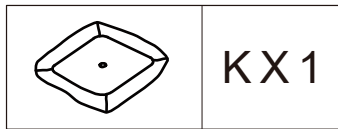


For proper stability of your offset umbrella. The recommended minimum weight of the sand to be placed into each sand bag is 67.5lbs for a total of 135lbs.

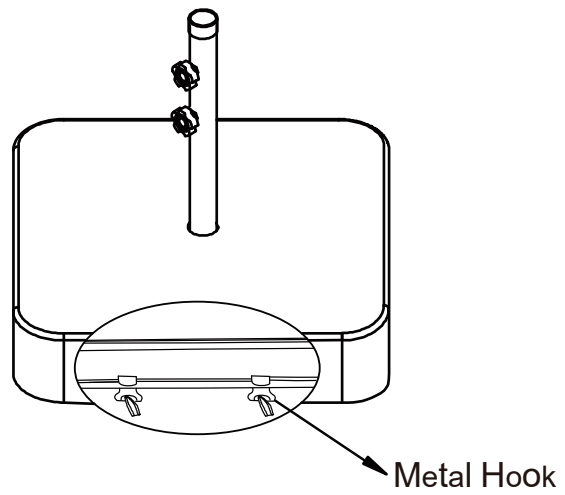


Assembly

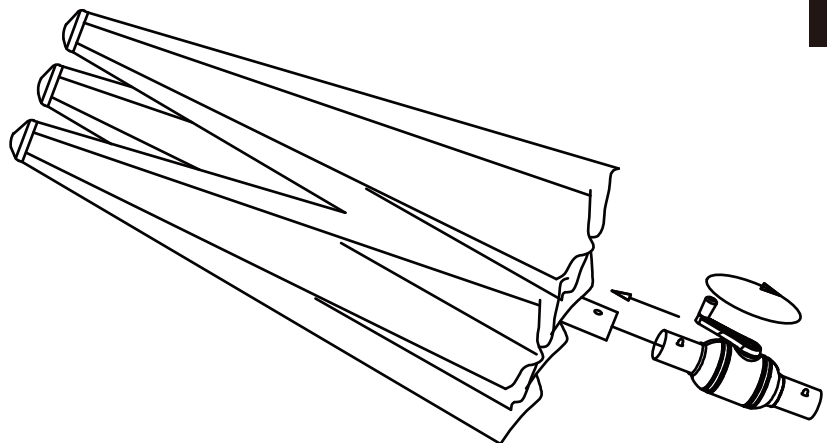
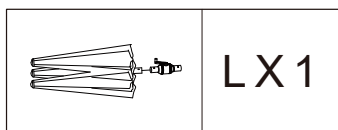
7



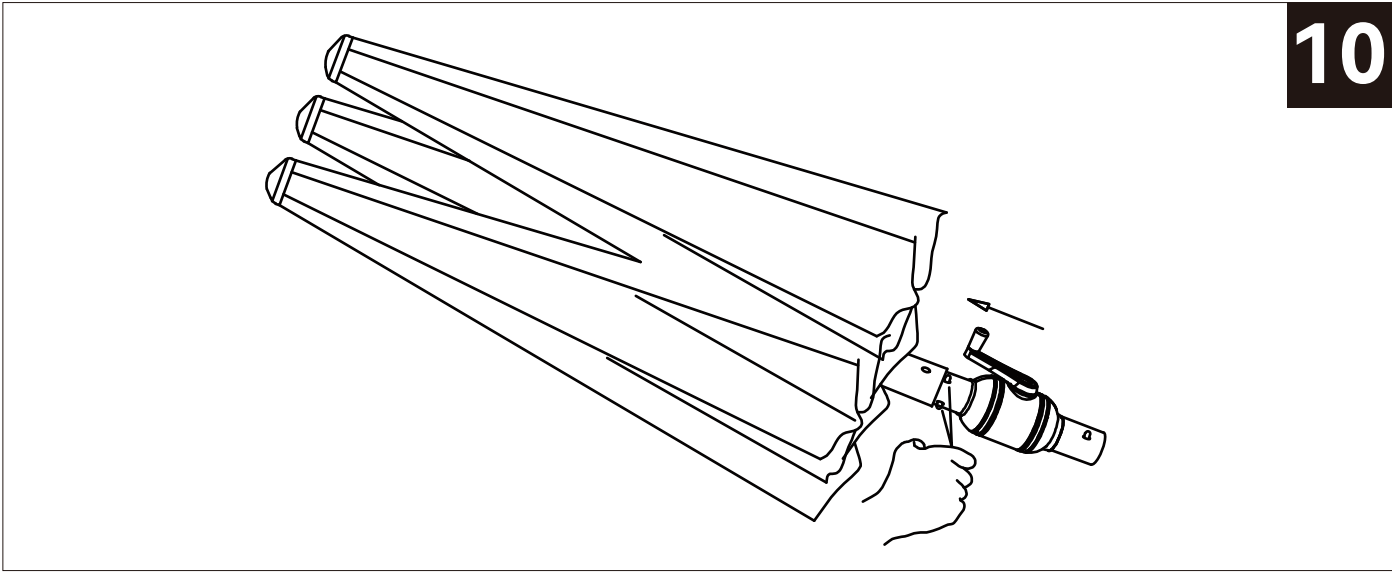
8



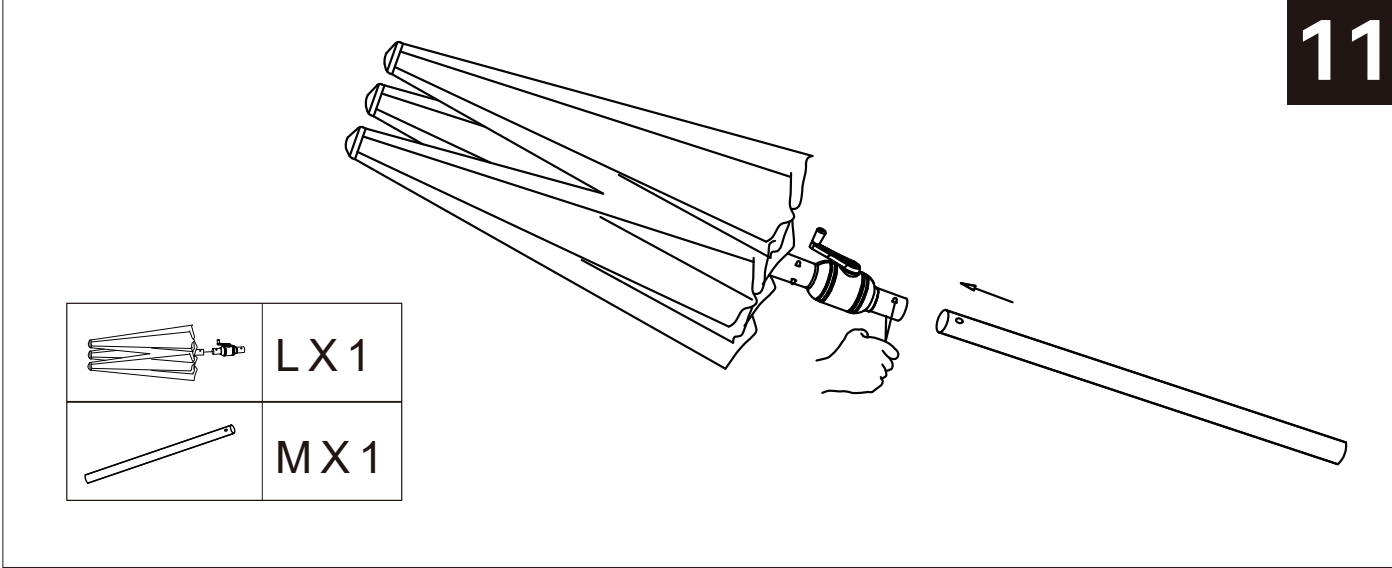
9



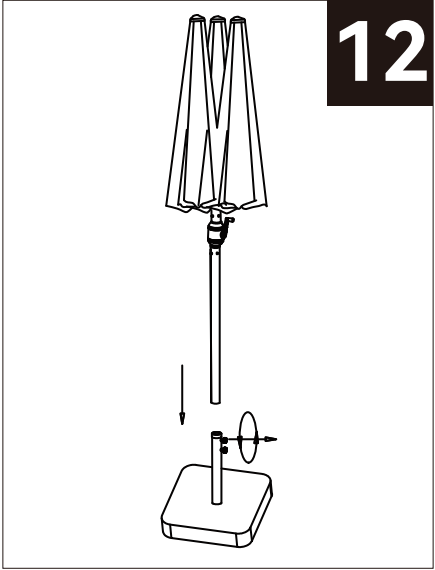
Assembly



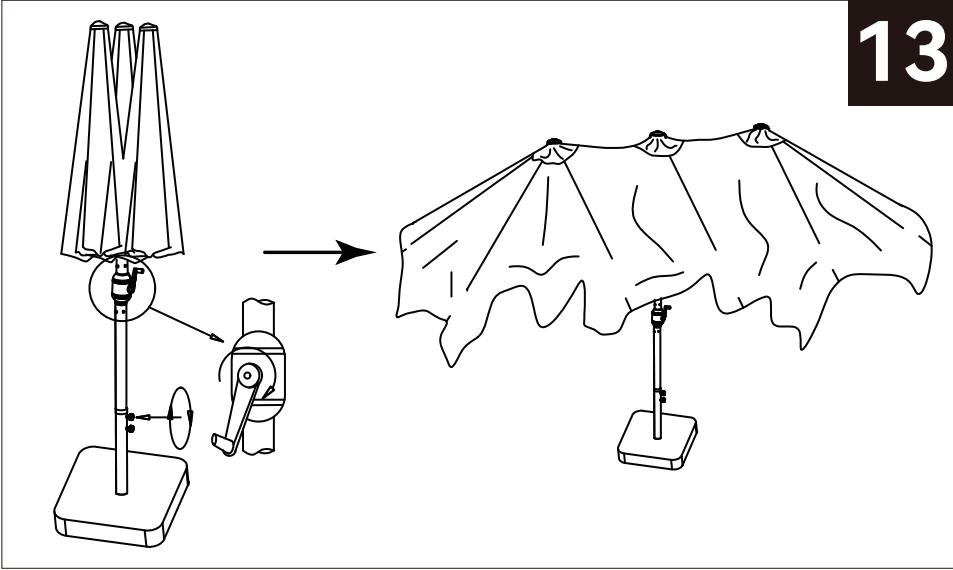
10



11



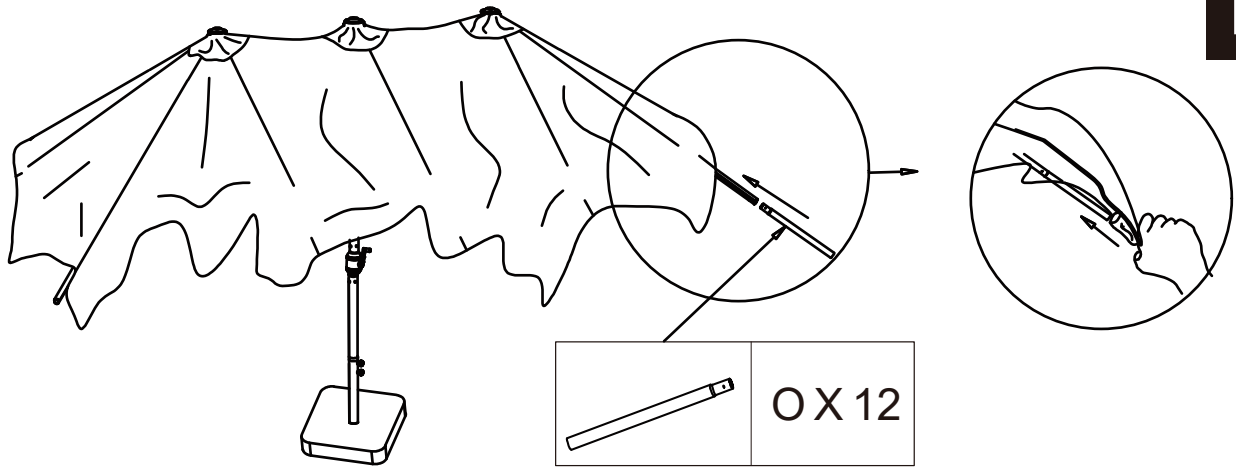
12



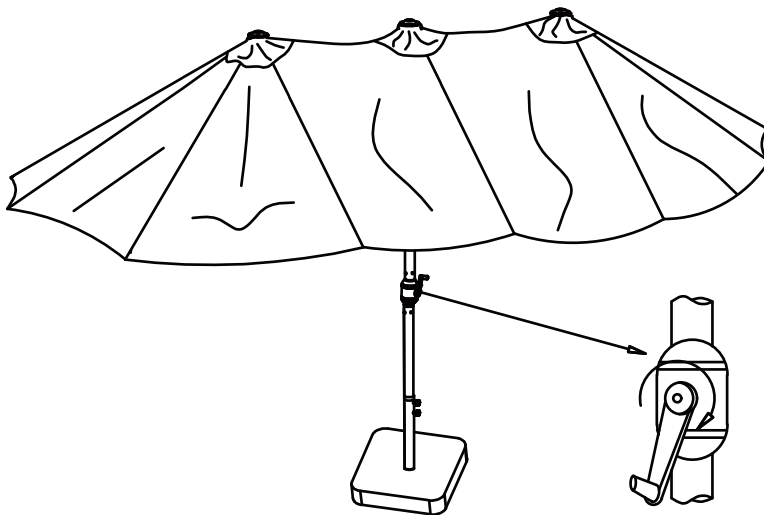
13

Assembly

14



15



16

