

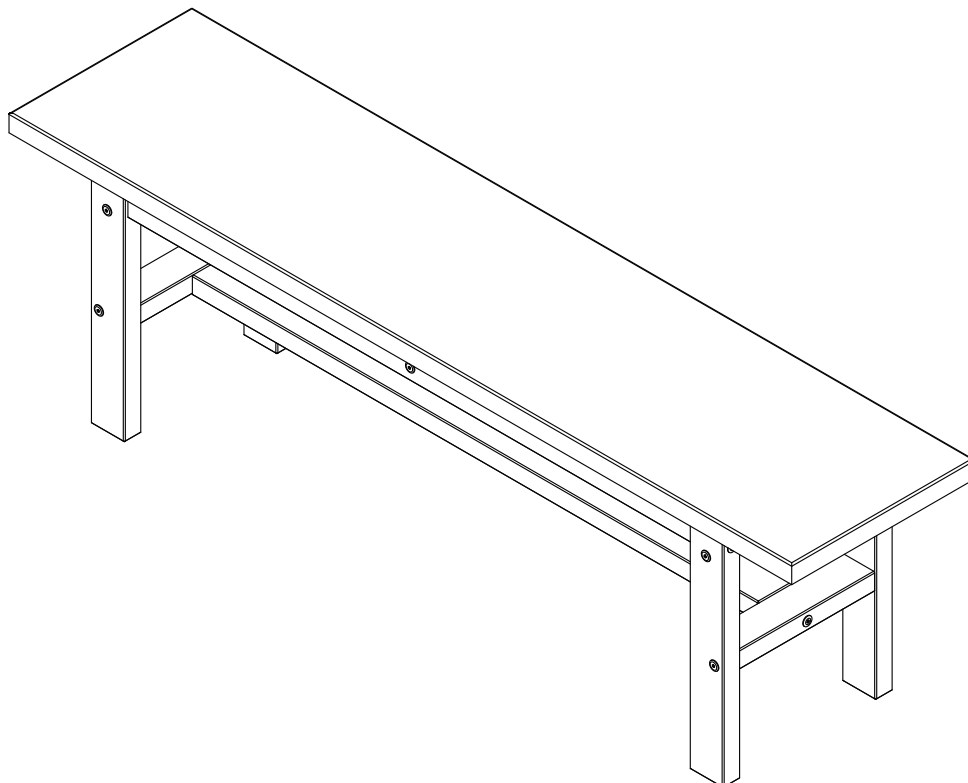
Thank you for purchasing our dining group. The Rustic finish, by design, has high and low spots on the top surface of the table, bench and chair. Naturally this solid wood product will have areas of different color and texture. We hope you enjoy this look as much as we do.

Please note, over time tighten all hardware so your products stay as rigid in the future as they are today.

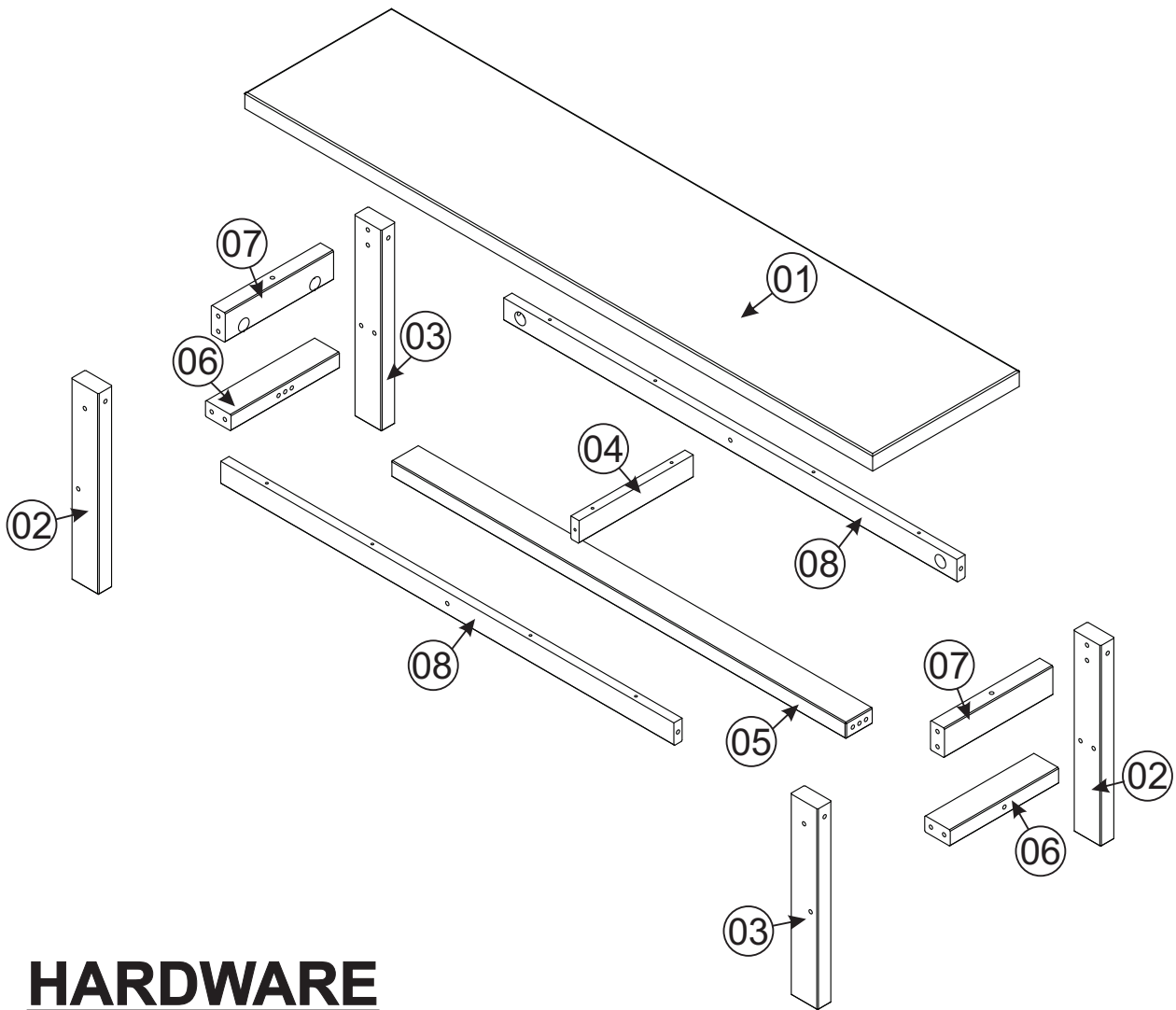
As with all internet products, a good review makes the product successful. We invite you to share a positive review. Thank you for your help.

Please contact us at mybednowservice@gmail.com


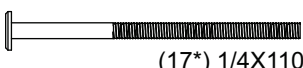

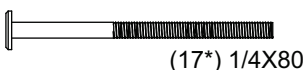



60" BENCH



PARTS AND HARDWARE

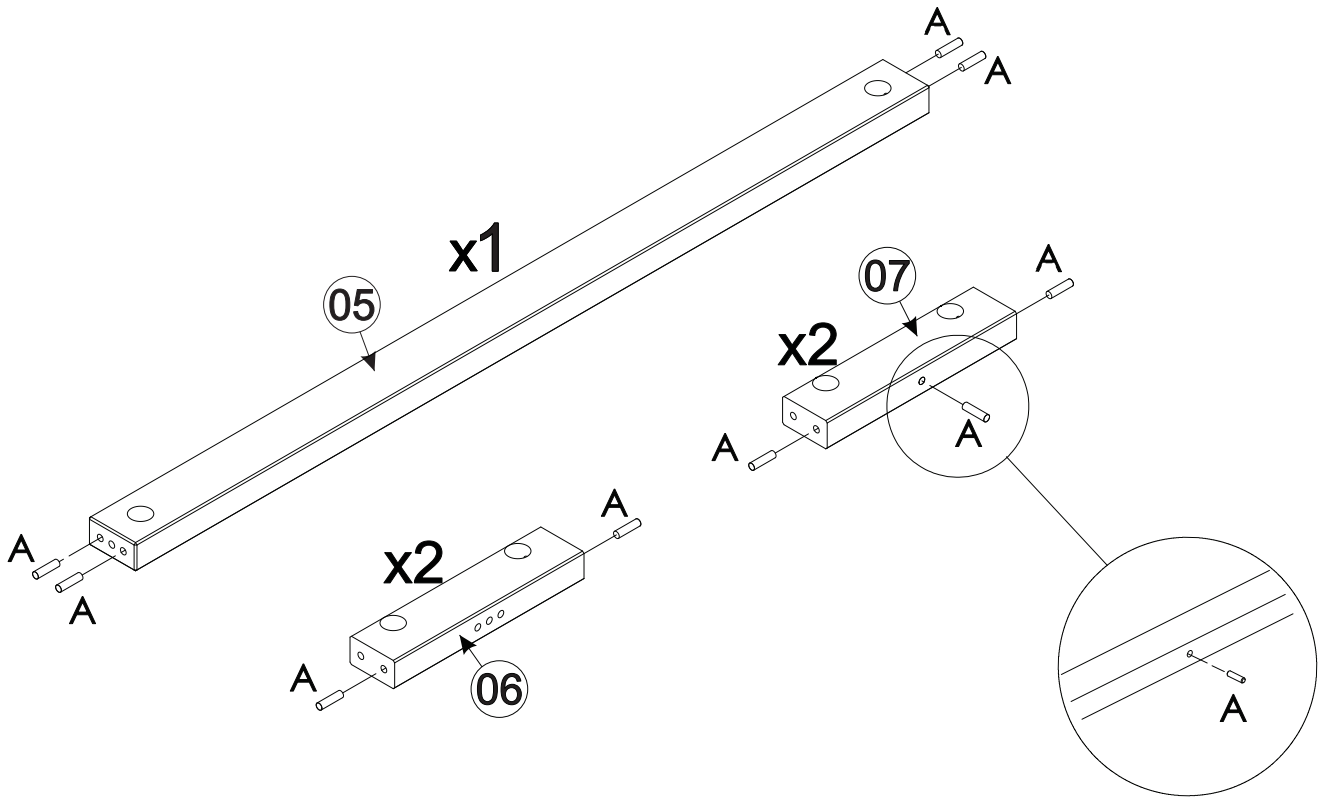


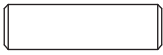
HARDWARE

A	 8X30	14
B	 (17*) 1/4X110	06
C	 1/4X25	14
D	 (17*) 1/4X80	08
E	 15X40X4	01
F	 (17*) 7X50	02
G	 CF 4,5X50	10

STEP 1

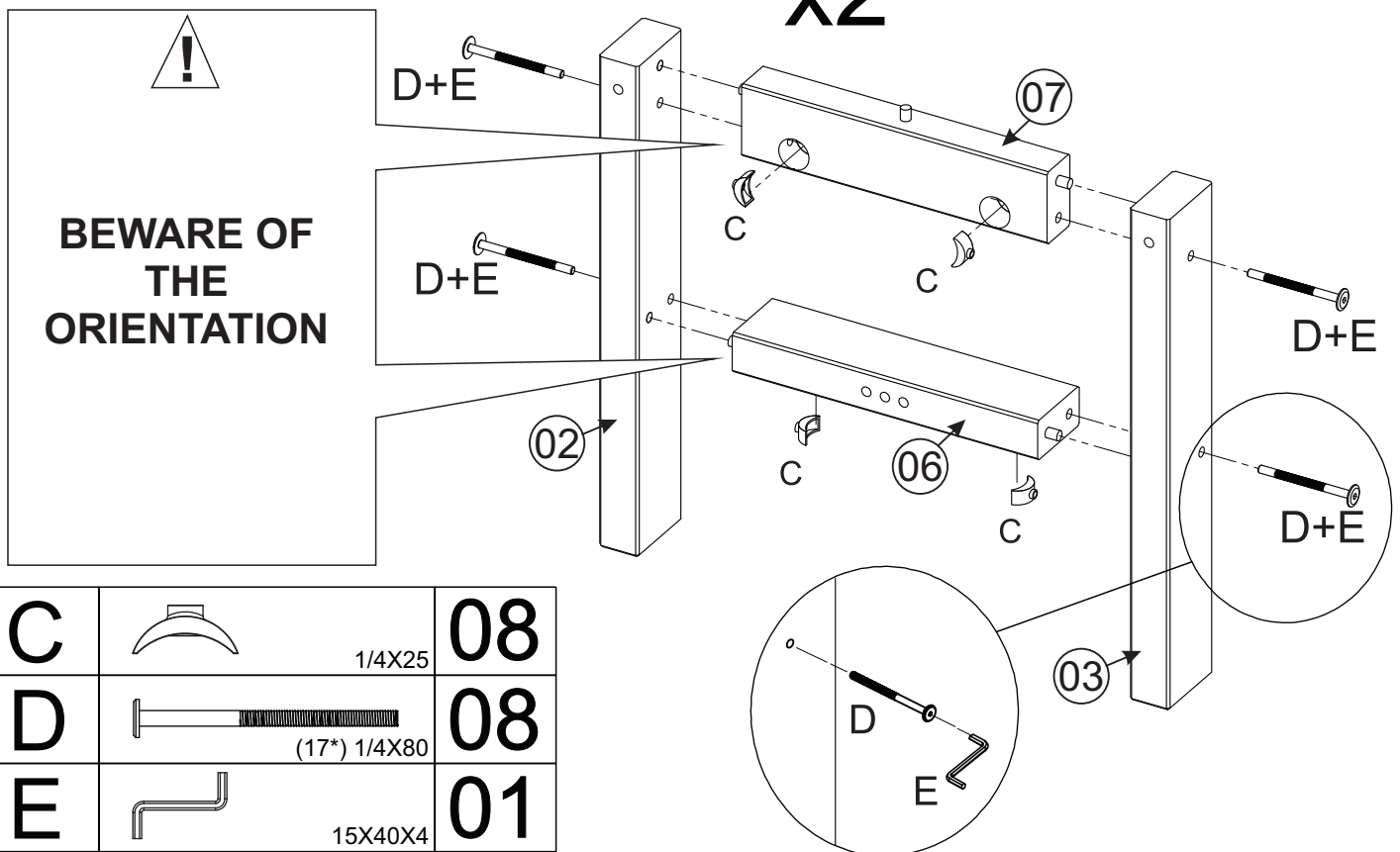
INSERT DOWELS (A) TO ALL SHOWN COMPONENTS






A		14 <small>8X30</small>
----------	---	----------------------------------

STEP 2

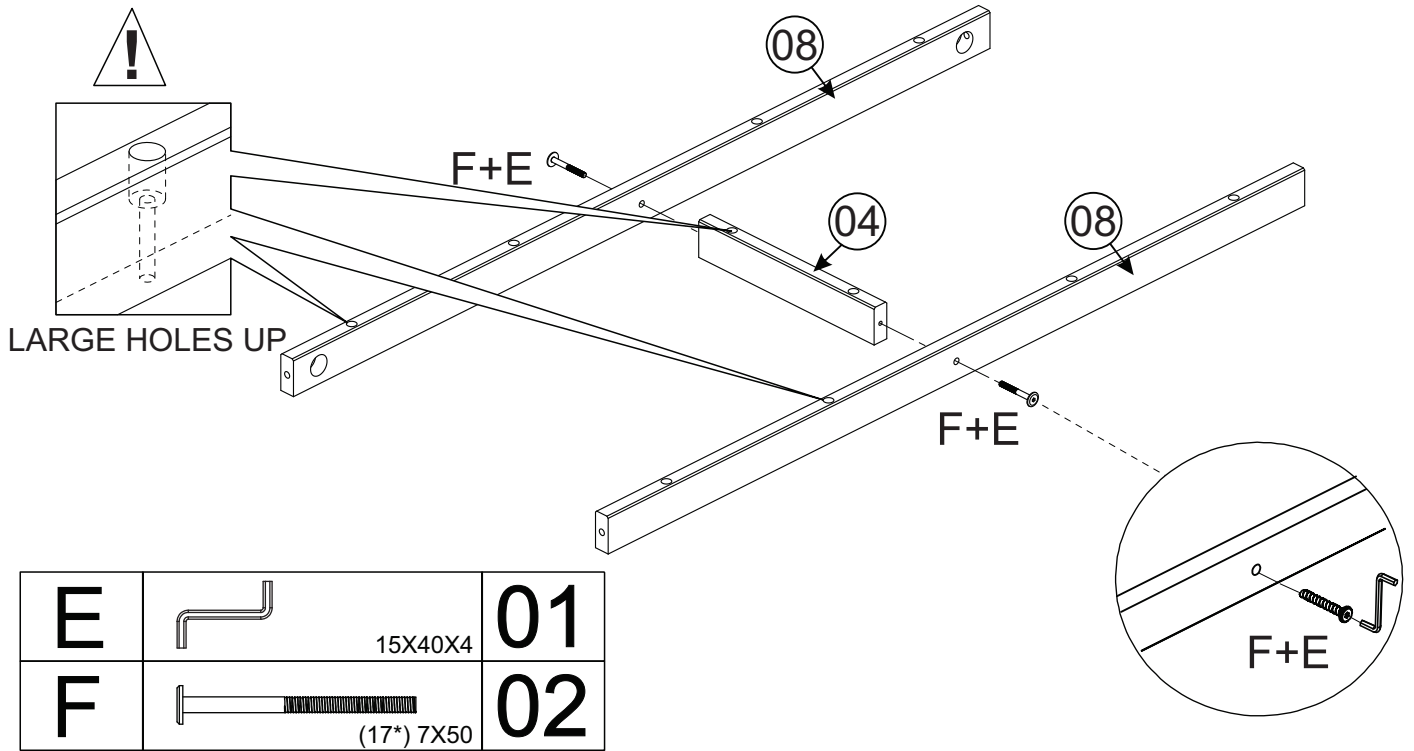
ATTACH LEGS (02 & 03) WITH CROSS BOARDS (06 & 07)
TIGHTEN WITH BOLTS (D) AND NUTS (C)

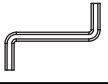



C		08 <small>1/4X25</small>
D		08 <small>(17*) 1/4X80</small>
E		01 <small>15X40X4</small>

STEP 3

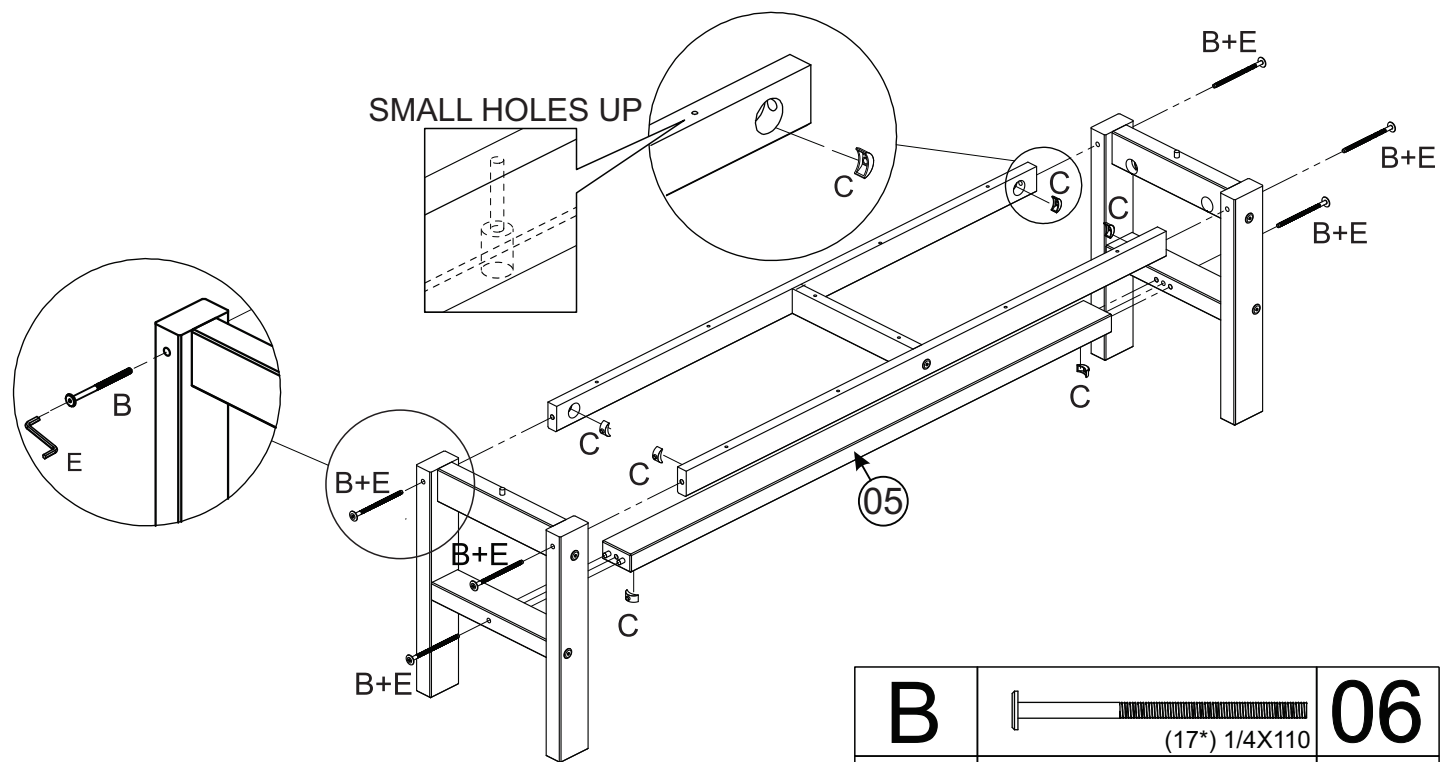
ATTACH RUNNERS (08x2) TO CROSSBOARD (04)
TIGHTEN WITH BOLTS (F)



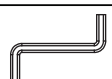


E		15X40X4	01
F		(17*) 7X50	02

STEP 4

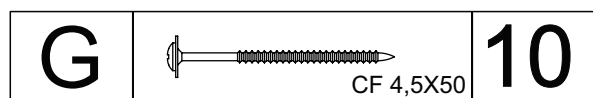
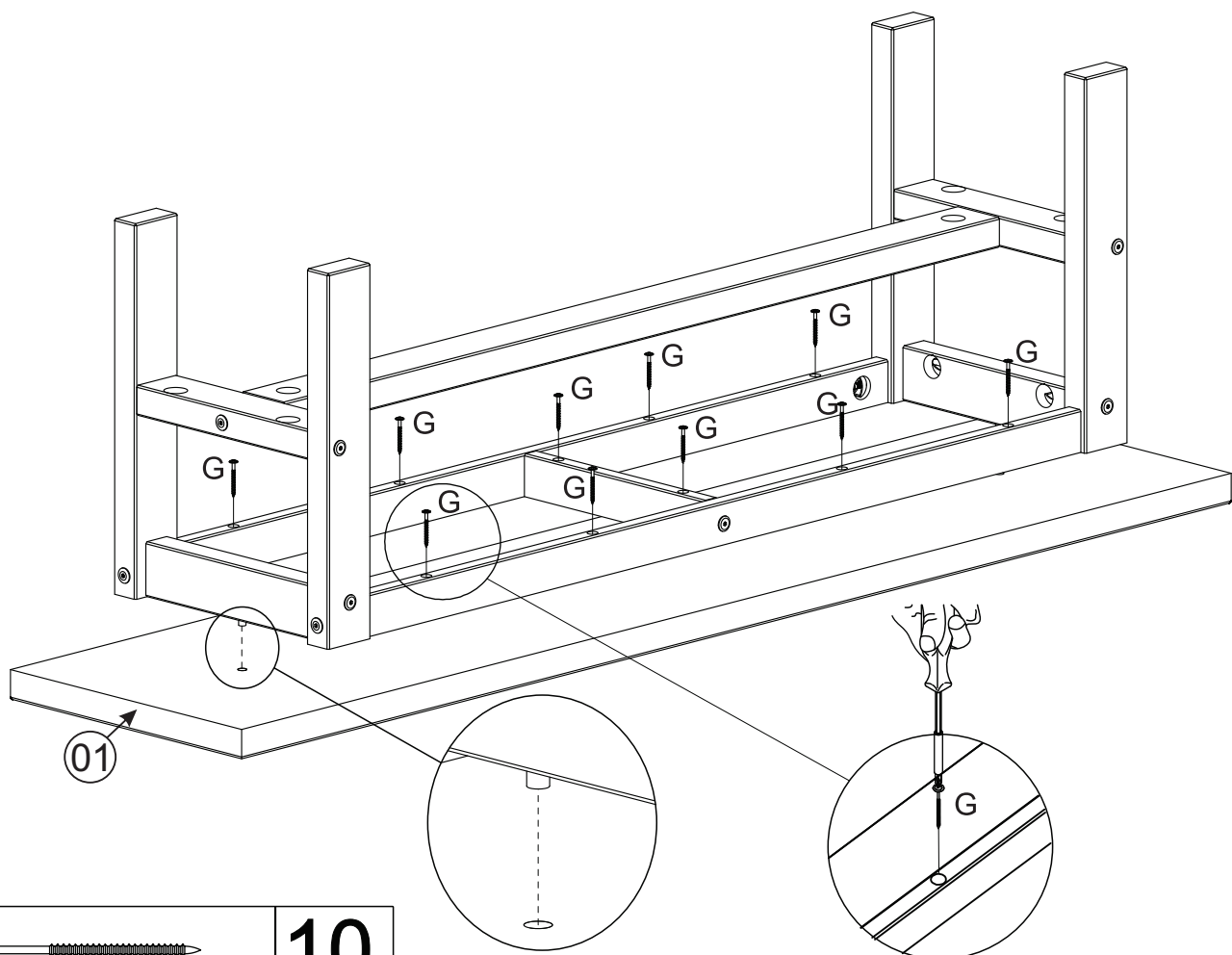
ATTACH RUNNERS & CENTER BRACE (05) TO LEGS
TIGHTEN WITH BOLTS (B) AND NUTS (C)



B		(17*) 1/4X110	06
C		1/4X25	06
E		15X40X4	01

STEP 5

ATTACH BENCH BASE TO THE BENCH TOP (01)
TIGHTEN WITH SCREWS (G)



STEP 6

