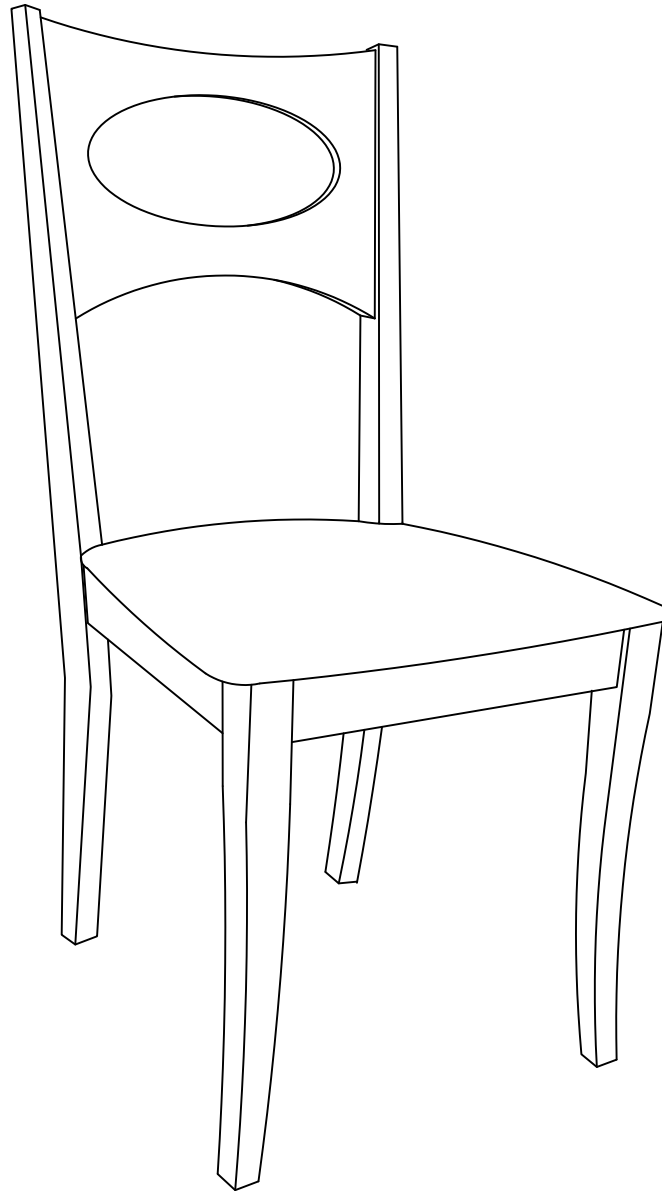
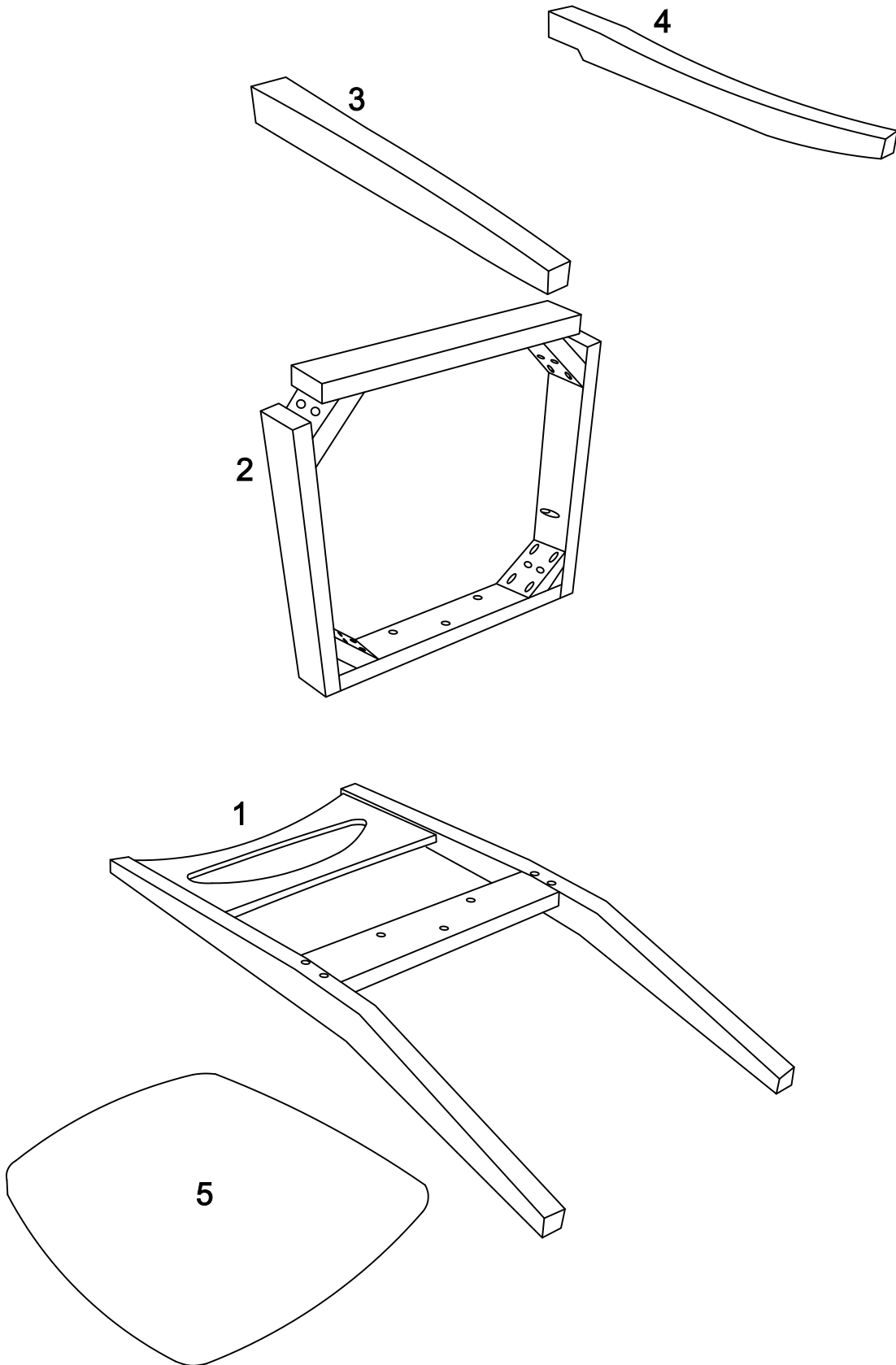


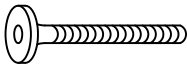
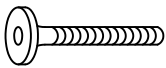
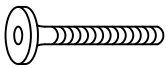


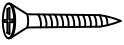

Assembly Instructions

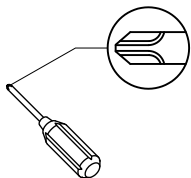


Parts List



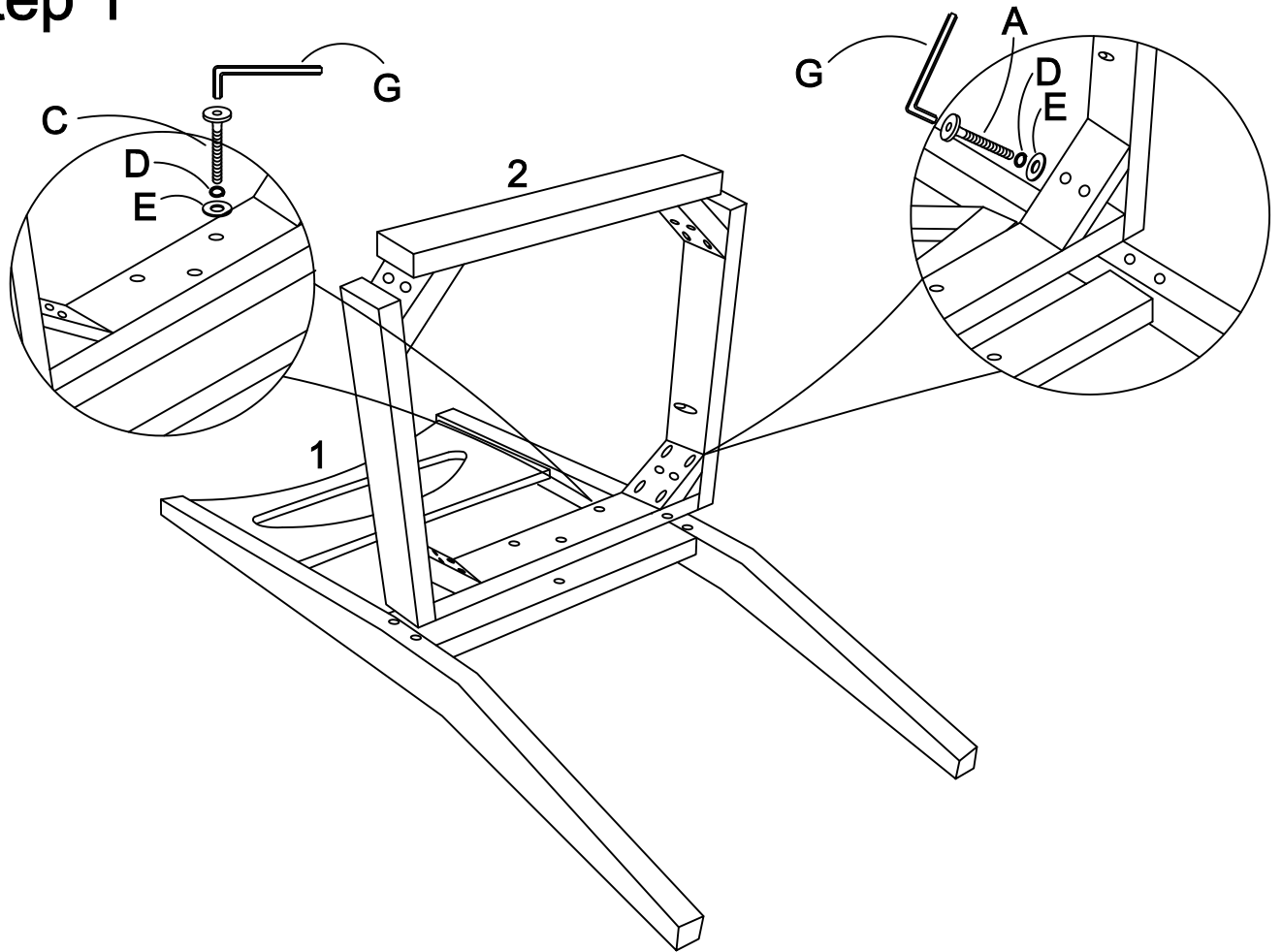
Hardware List

A	 M6 x 80mm	Jcbc screw	4 pcs
B	 M6 x 60mm	Jcbc screw	4 pcs
C	 M6 x 35mm	Jcbc screw	3 pcs
D	 1 / 4 "	Spring washer	11 pcs
E	 1 / 4 "	Flat washer	11 pcs
F	 M4 x 32	Csk screw	4 pcs
G		Allen key	1 pc

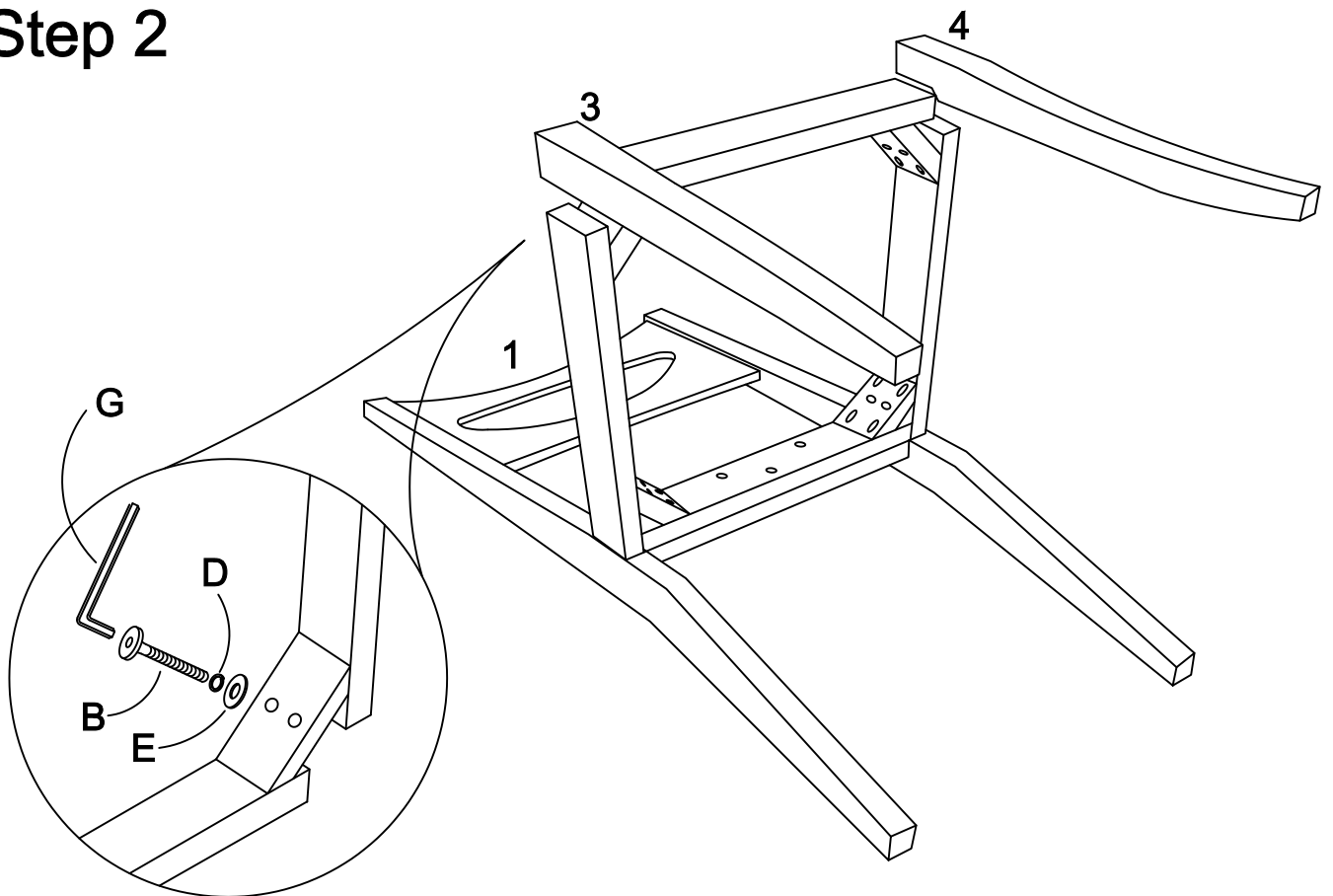


Philips head screwdriver required for assembly
(not included)

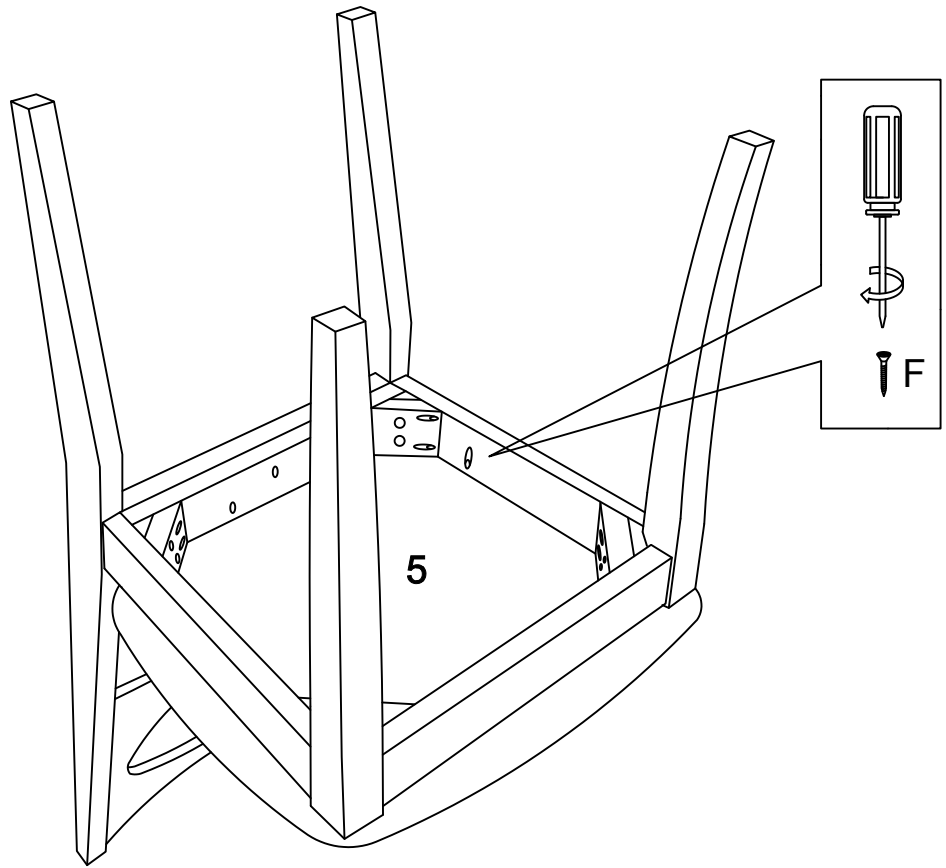
Step 1



Step 2



Step 3



Fully setup

