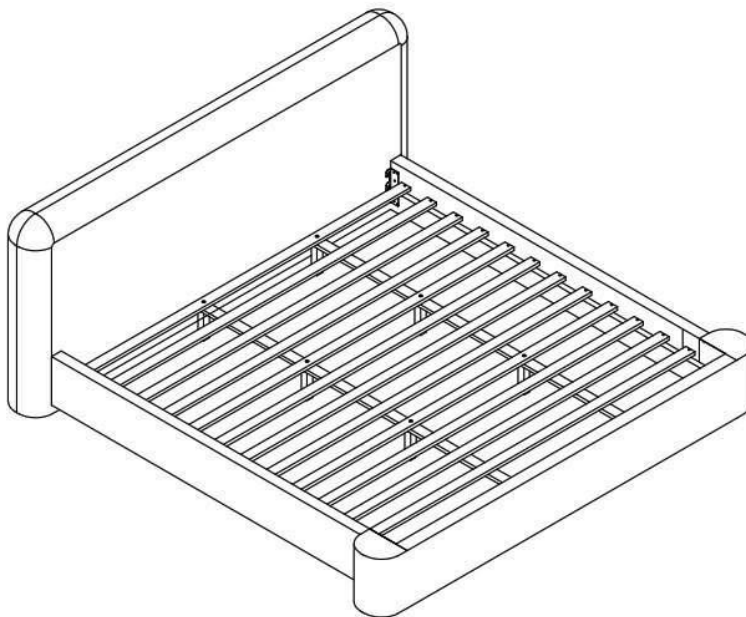


MODEL : AVERA-E KING/CALI KING

ASSEMBLY INSTRUCTIONS

Hours of Operation
MON-FRI 8:00AM - 4:00PM (PT)

TOOLS REQUIRED

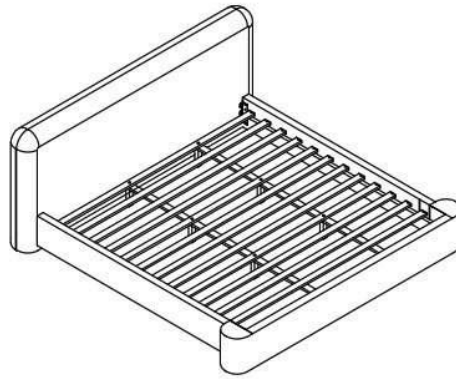



Allen key
(Included)




2 - People

Enjoying this product? We'd love your 5-star review!
If you have any issues, our support team is happy to help.



 Monday-Friday
8:00AM - 4:00PM PT

 CHECK
BEFORE STARTING

Are you missing anything?

Please double check all hardware and parts match the assembly guide before putting the product together. If damaged, put the item back in the box, and start your claim or return

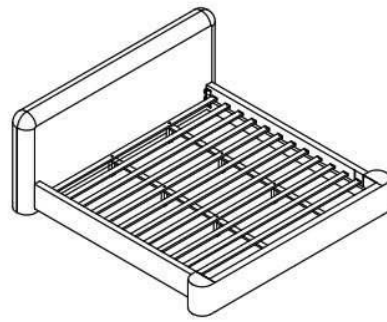
Should we send any replacements?

If there are any manufacturer defects or missing pieces please contact us for replacements. If purchased online, please contact the website of where you purchased it from, DIRECTLY

IMPORTANT INFO before assembly:

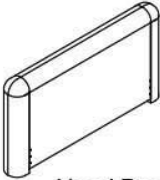
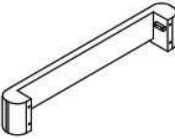






If there's a problem with the parts do not attempt to assemble the product

- Place all parts on a clean and smooth surface such as a rug/carpet to avoid parts from being scratched
- When tightening screws to product do not overtighten until product is fully setup
- If product is too heavy for a single person to carry please ask for assistance
- DO NOT DRAG or PUSH item to desired location. Must be carried when moving
- If item is not working as intended please review the assembly guide to see if any steps were missed or incorrectly built. If there's a problem with part please contact seller for additional assistance
- Please keep all hardware and small parts away from pets/infants
- Please wear gloves or protective gear to protect from getting cuts
- It is normal for new furniture to have an off gassing smell. Please air out furniture near a window for a few hours or a day before placing it in its desired location
- All products may have a slight color and texture variation due to different shipments, natural materials, screen- resolutions, or lighting in home. Images are rendered by different devices or websites


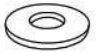









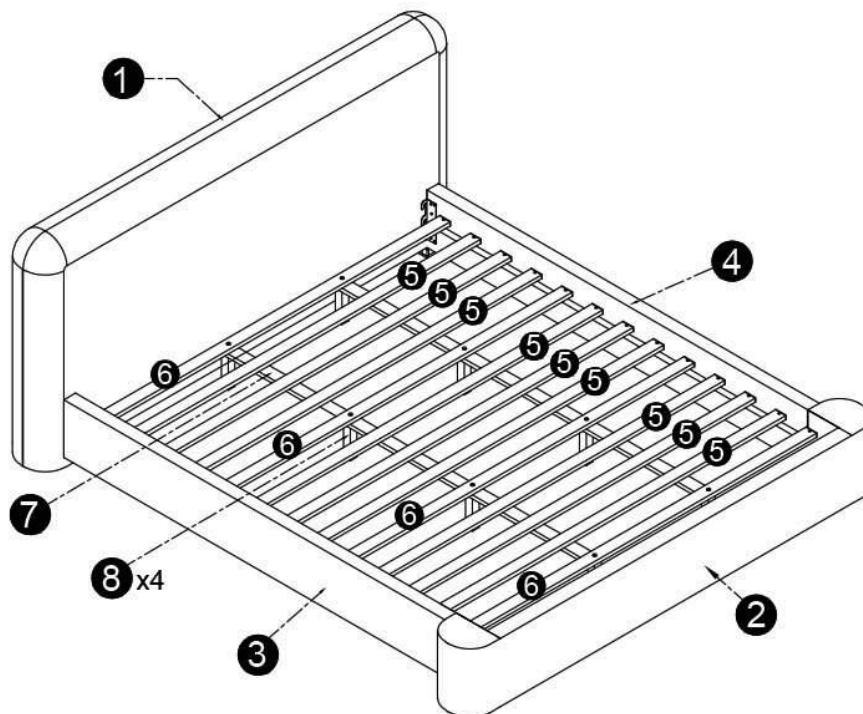
Model : AVERA-E KING/CALI KING

PARTS

<p>1 x1</p>  <p>Head Board</p>	<p>2 x1</p>  <p>Foot Board</p>
<p>3 x1</p>  <p>Side rail</p>	<p>4 x1</p>  <p>Side rail</p>
<p>5 x9</p>  <p>Slats</p>	<p>6 x4</p>  <p>Slats</p>
<p>7 x2</p>  <p>Center rail</p>	<p>8 x4</p>  <p>Support Legs</p>

HARDWARE

No.	OUTLOOK	DESC	QTY
A		Bolts 5/16"x40 mm	6
B		Plain washer Ø19x1.5mm	18
C		Spring washer 13x1 mm	18
D		Allen key 80x30x4 mm	1
E		Screws Ø4x30 mm	26
F		Bolts 5/16"x70 mm	8
G		Thread bolt 5/16*80mm	4
H		Hexagon nut 5/16*6mm	4
I		Wrench 12*150mm	1

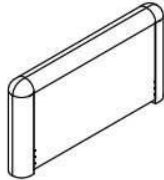


Parts

Check you've received all parts listed below before assembly

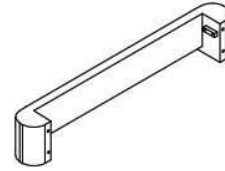
BOX: 1/2

1 x1



Head Board

2 x1



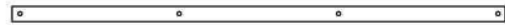
Foot Board

5 x9



Slats

6 x4



Slats

8 x8



Support Legs

Hardware

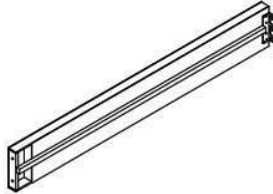


Parts

Check you've received all parts listed below before assembly

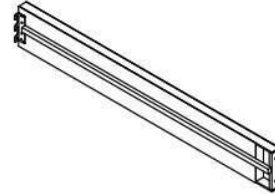
BOX: 2/2

3 x1



Side rail

4 x1



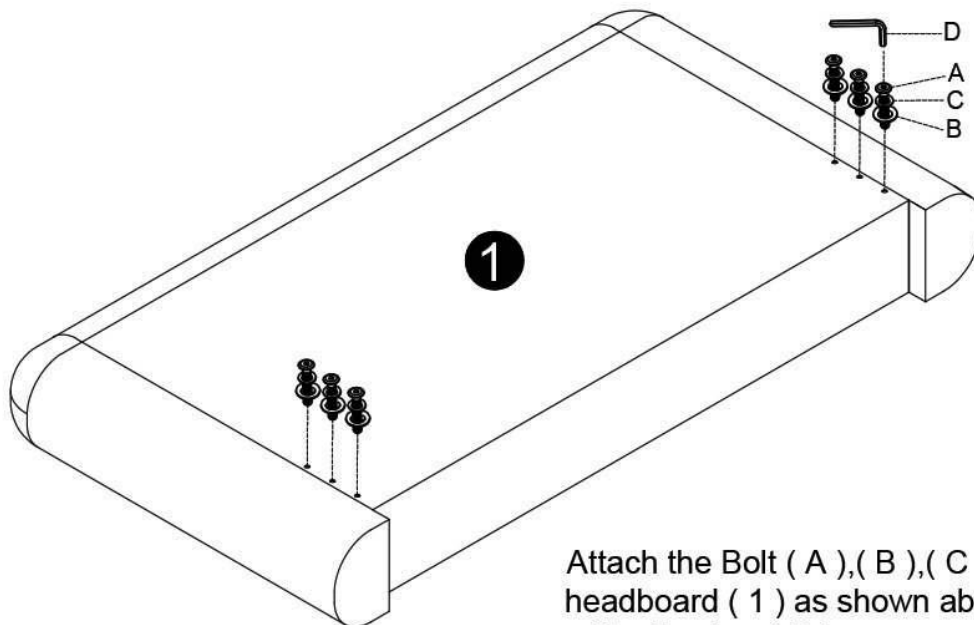
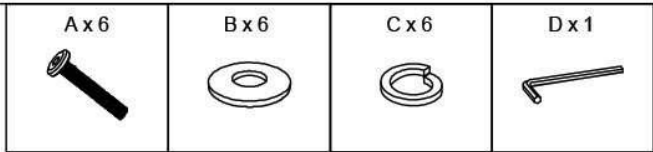
Side rail

7 x2



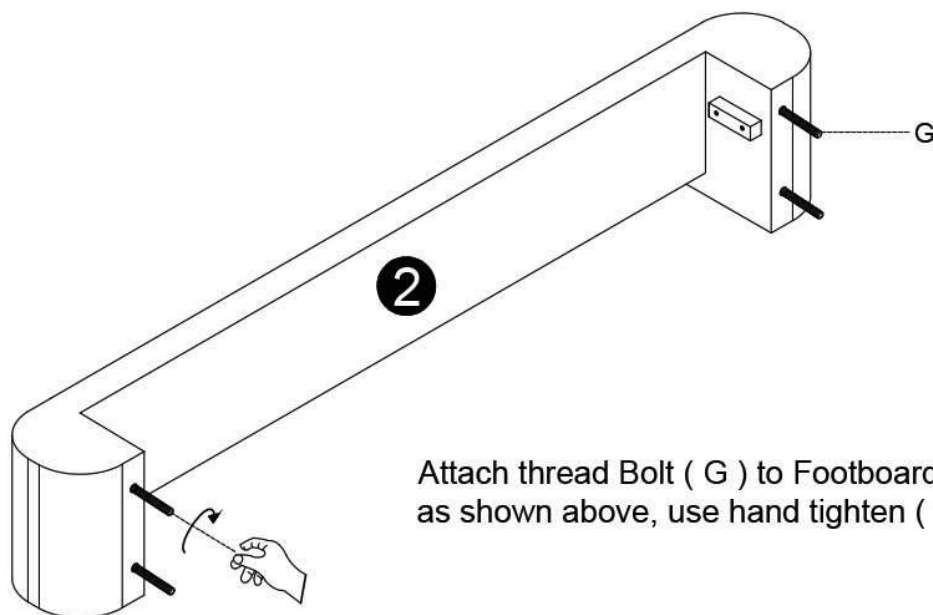
Center rail

STEP 1



Attach the Bolt (A),(B),(C), to headboard (1) as shown above, with allen key (D)

STEP 2

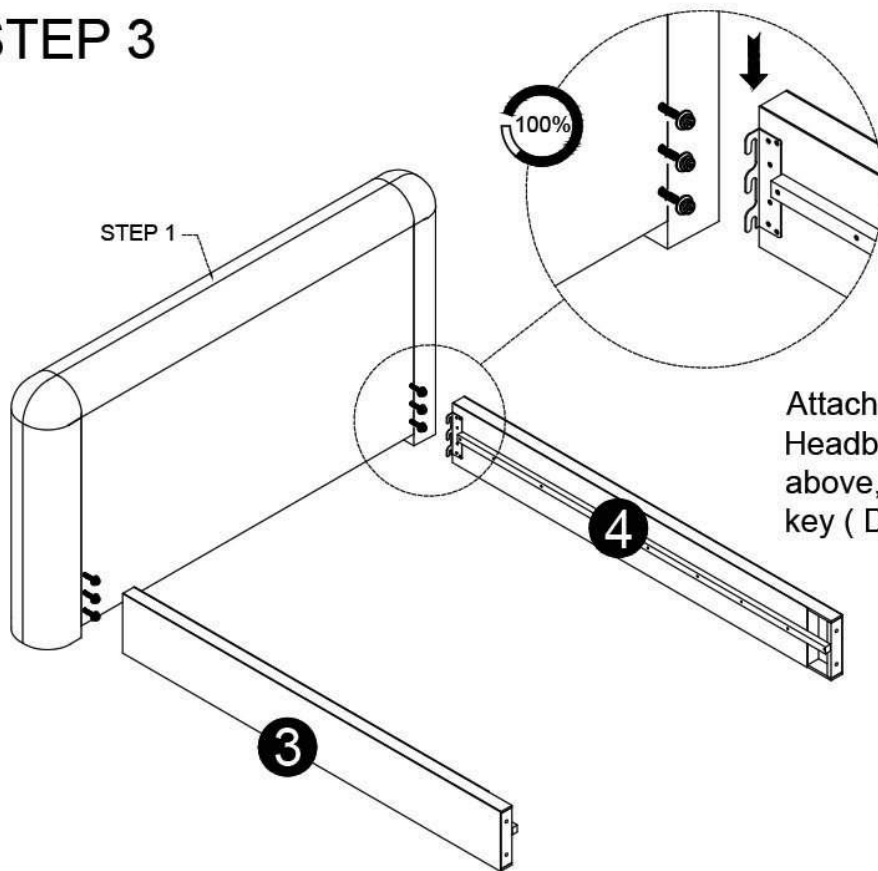


Attach thread Bolt (G) to Footboard (2) as shown above, use hand tighten (35%)

D x 1

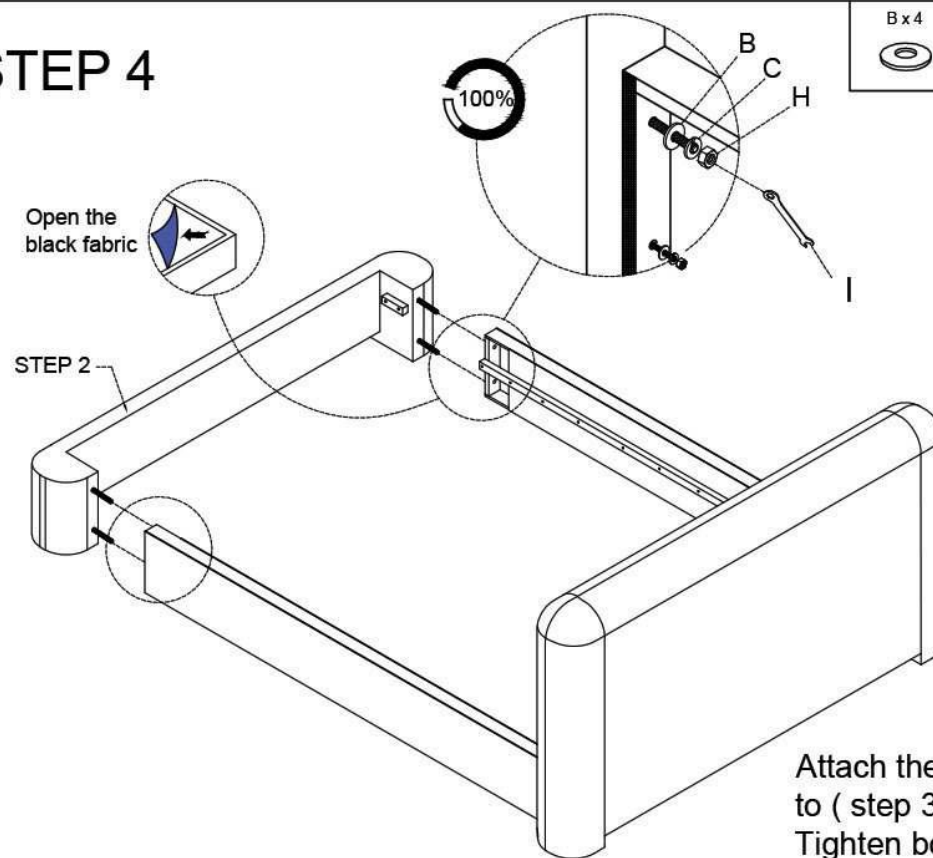


STEP 3



Attach Side rail (3) / (4) to Headboard (step 1) as shown above, Tighten bolts with allen key (D)

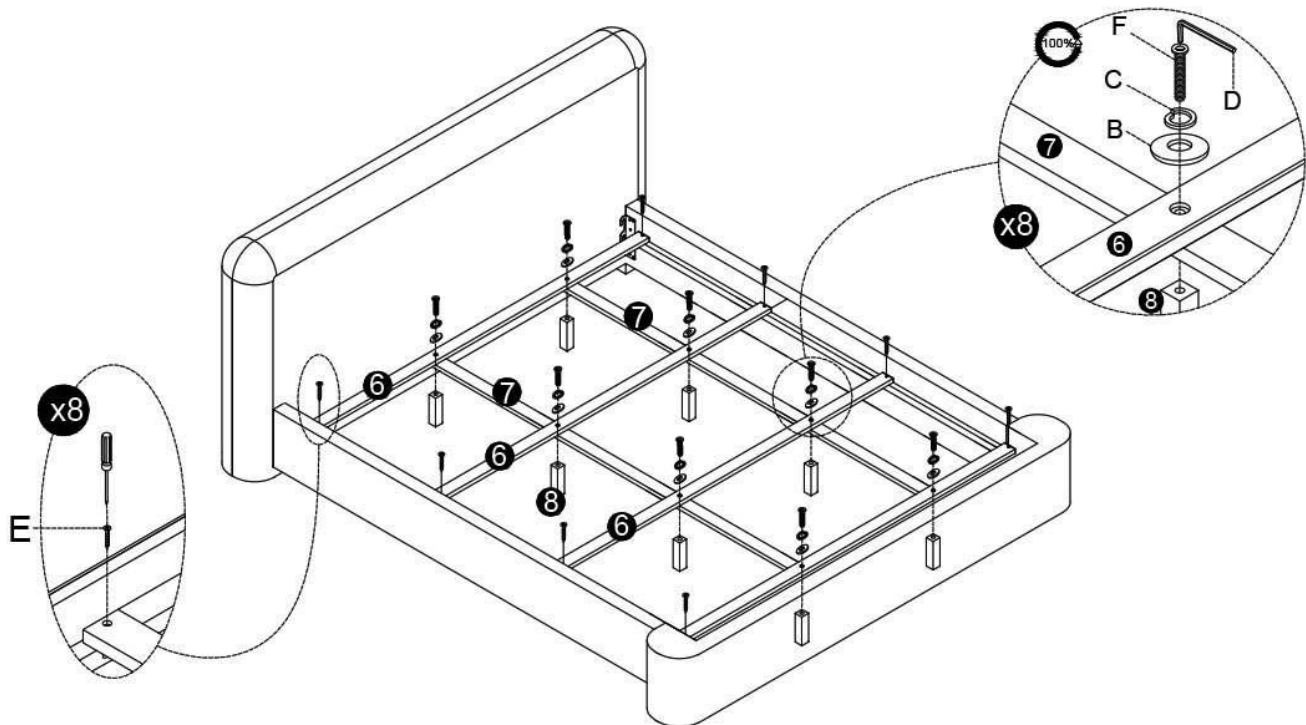
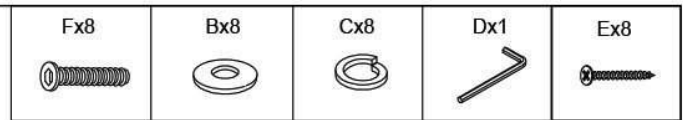
STEP 4



B x 4	C x 4	H x 4	I x 1

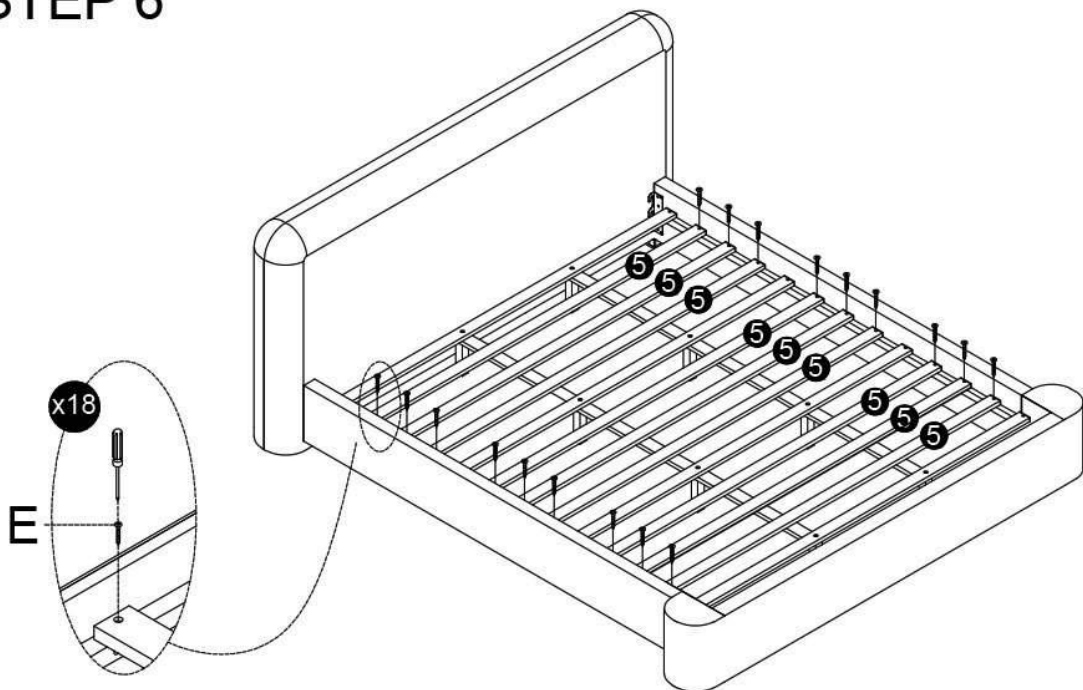
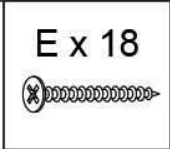
Attach the Footboard (step 2) to (step 3) as shown above, Tighten bolts with wrench (I)

STEP 5



Align the mounting position on the slats (7) and the slats (6) on the support leg (8) and by using Bolts (F) , (B) , (C) with allen key (D) after than using Screws (E) by screwdriver (Not provided)

STEP 6



Attach all slats to the rail on side rail by using Screws (E) and by screwdriver (Not provided)

FINISH

