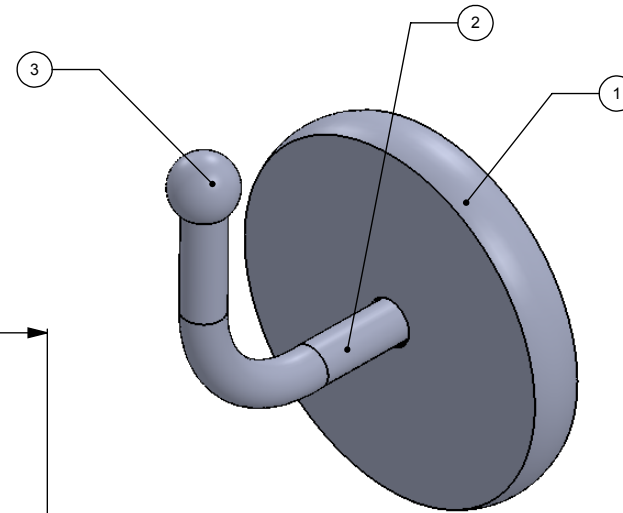
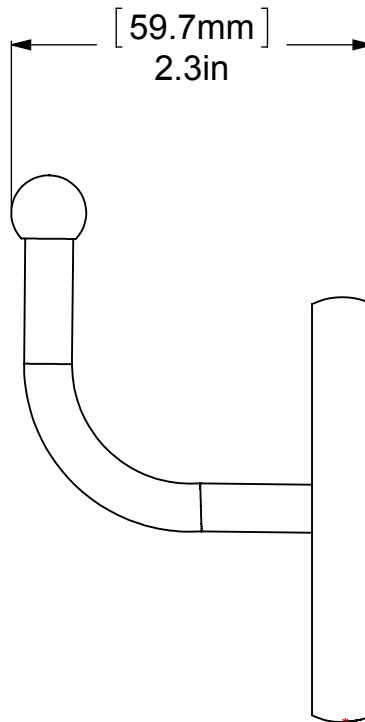
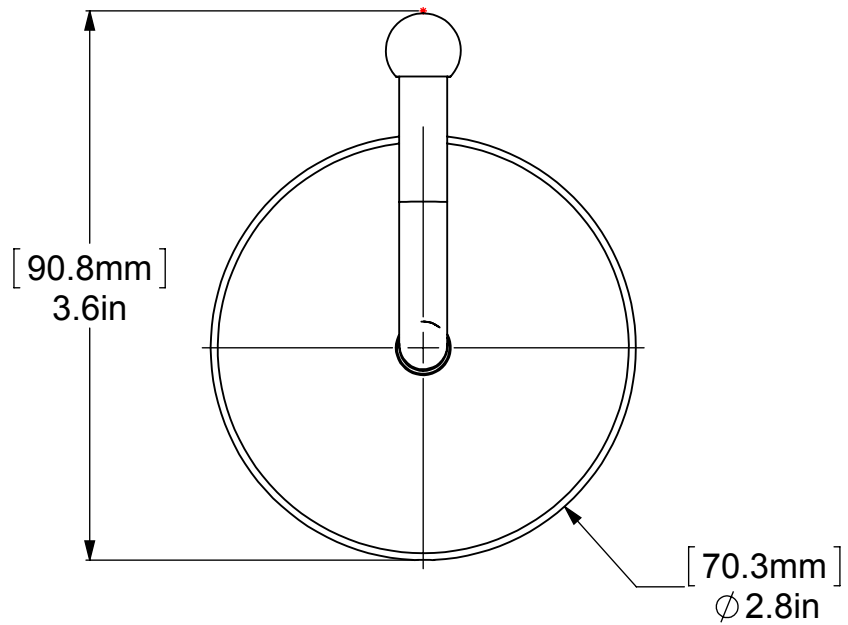
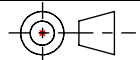


ITEM NO.	P/N	Description	QTY.
1	BPRD	BACKPLATE	1
2	HKHK9	HOOK	1
3	BL1T-12	BALL	1



UNLESS OTHERWISE STATED

.X	±.3mm
.XX	±.15mm
.XXX	±.008mm



THIRD ANGLE PROJECTION

DRAWN
CHECKED
APPROVED

I.M	MATERIAL:	BRASS		FINISH	TBD	
	DESCRIPTION:	ROBE HOOK		QUANTITY	TBD	
P.D	ROBE HOOK			DRAWING No.		REV
R.A						0
SCALE		1:1.25	SHEET: 01	A4		