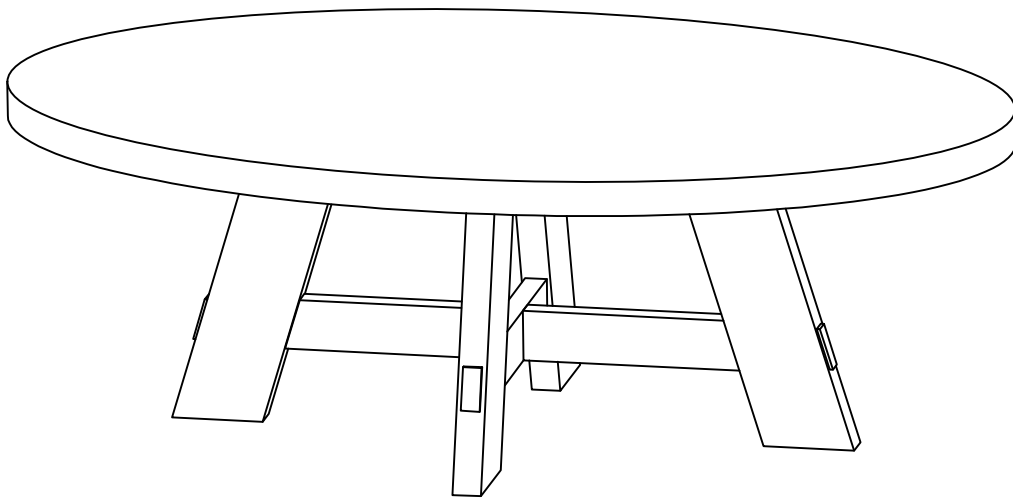


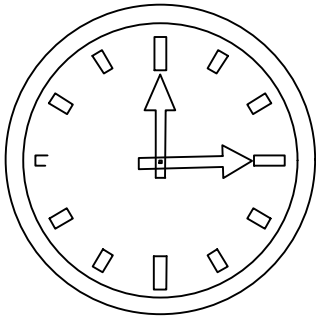
Assembly Instructions

5712031 - OVAL DINING TABLE

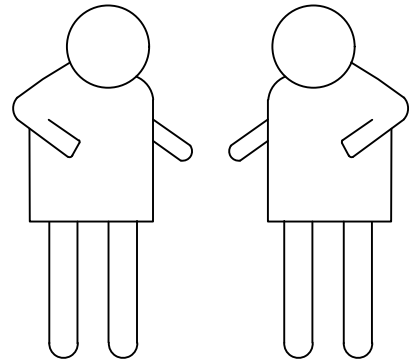
Product Issues? Please Call Us Before Contacting Your Retailer At
1-800-549-3300, email customerservice@mshome.co, or visit www.mshome.co
We can help with Assembly Issues, Part Requests, Damages, & All Other
Product Related Questions



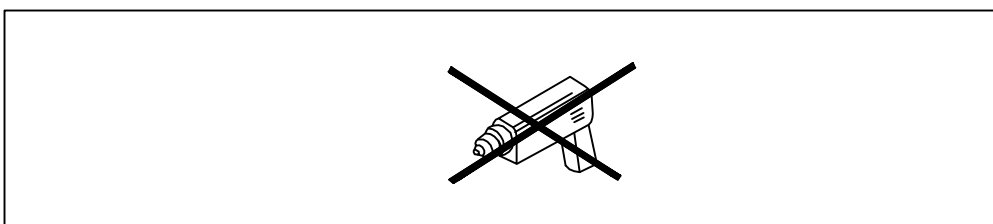
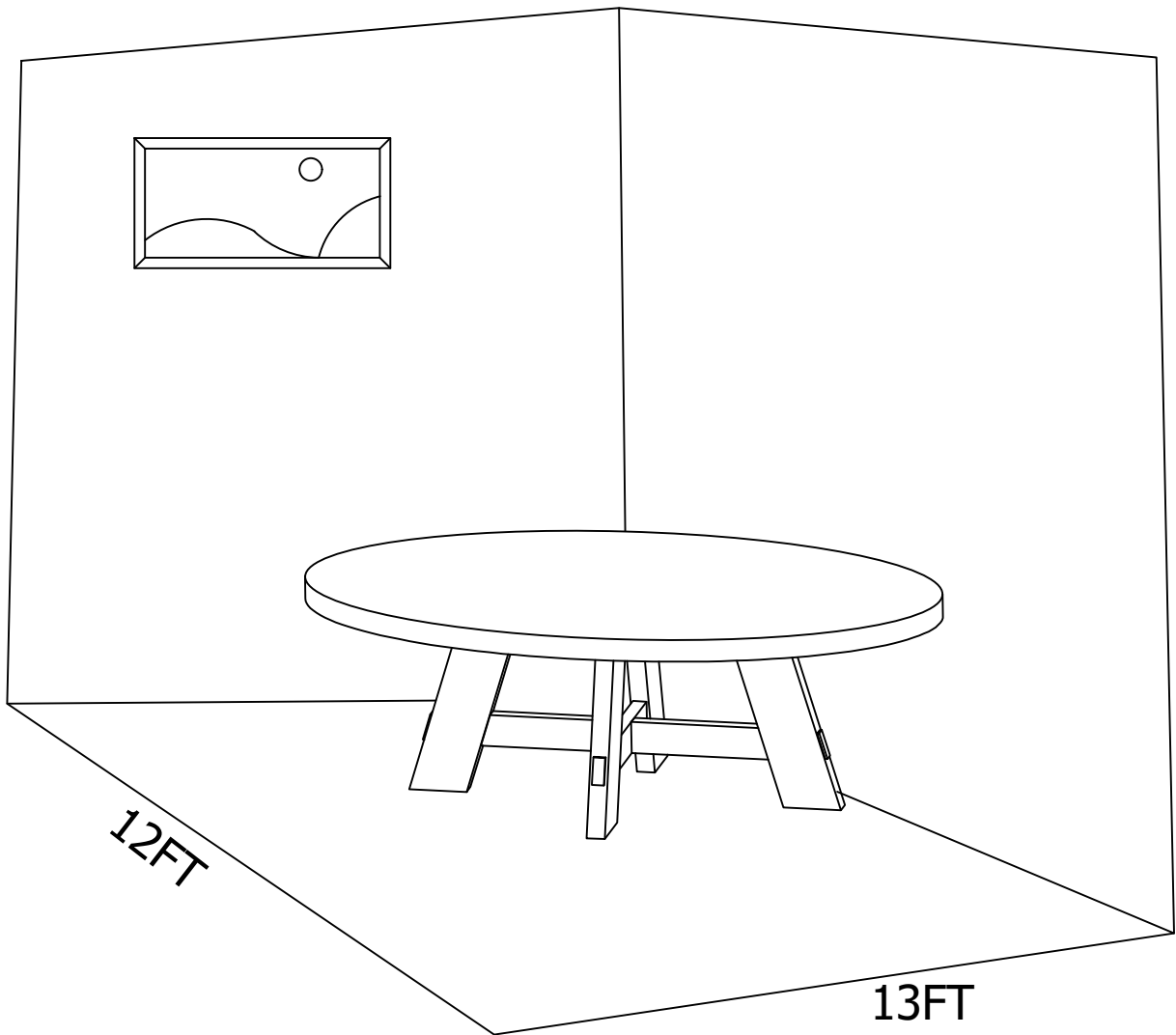
MSH-USA



15 min

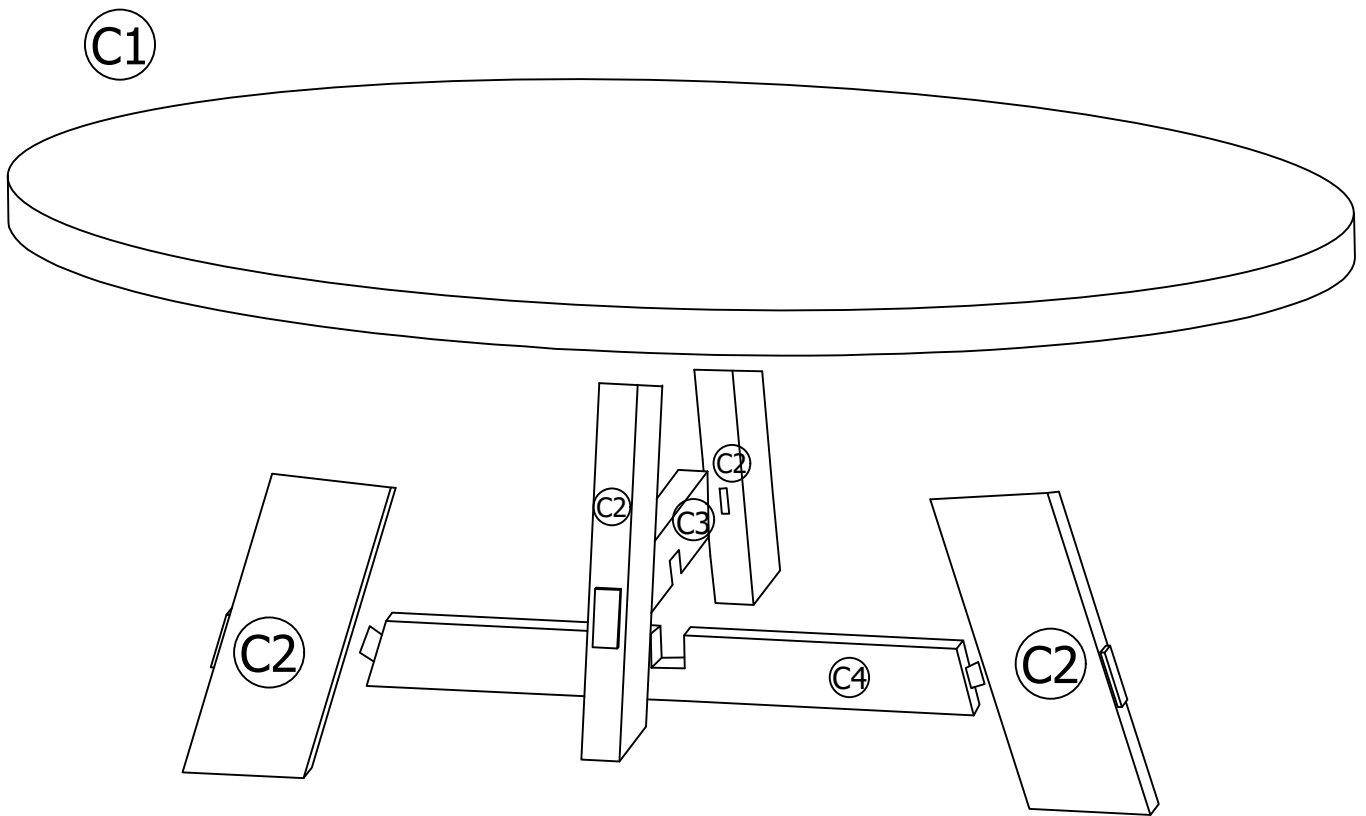


Two People Required



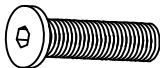
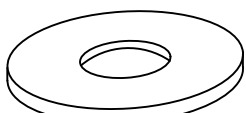
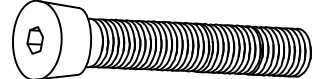
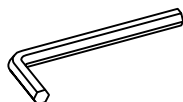


2-9

Replacement parts:
 (C1) top X1
 (C2) leg X4
 (C3) Top Stretcher X1
 (C4) Bottom Stretcher X1

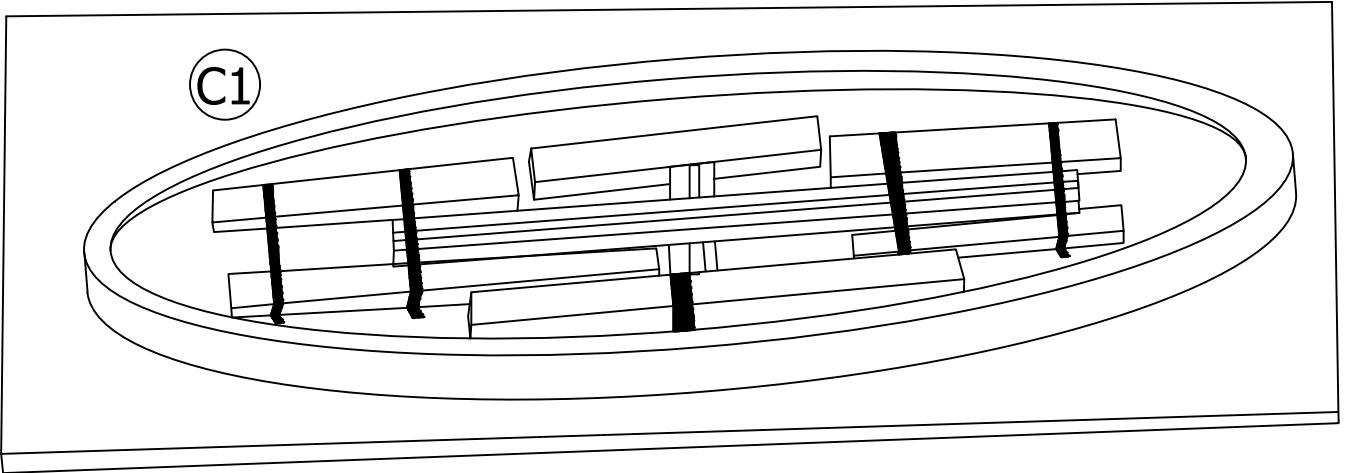


Hardware Pack :

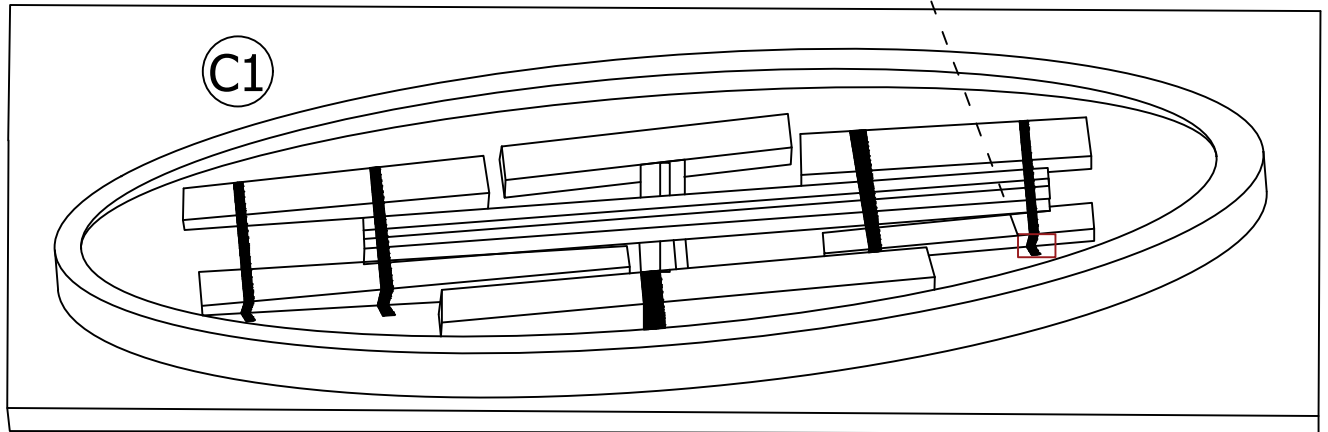
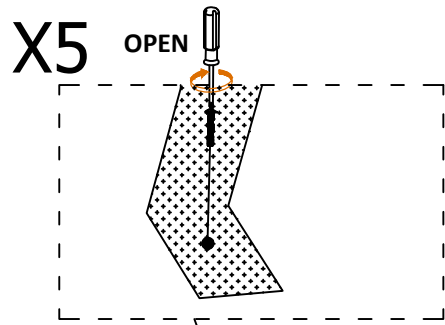


A 	B 	C 
$\text{Ø}6 \times 20(\text{MM})$ 4PCS	$\text{Ø}8 \times 20(\text{MM})$ 16PCS	$\text{Ø}8 \times 50(\text{MM})$ 16PCS
D 	E 	F 
Allen Key M4	$\text{Ø}8 \times 16(\text{MM})$ 16PCS	Allen key M6

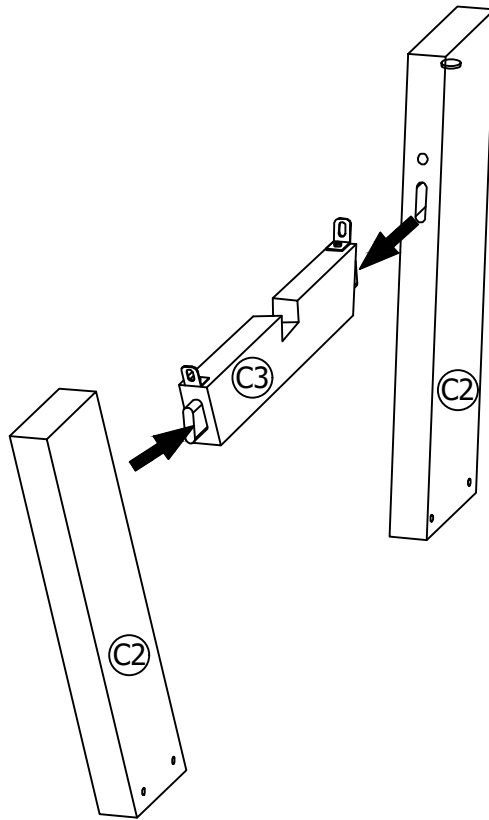
1



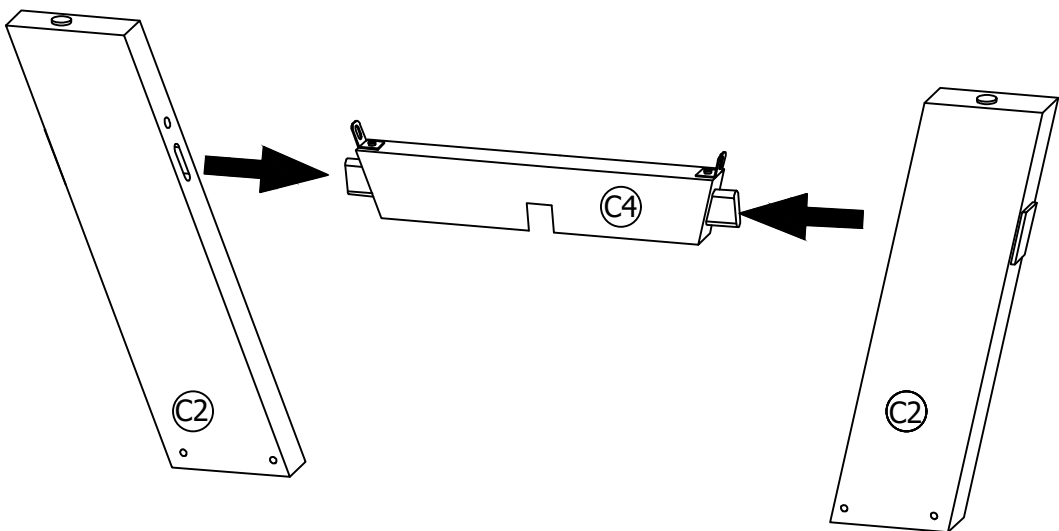
2



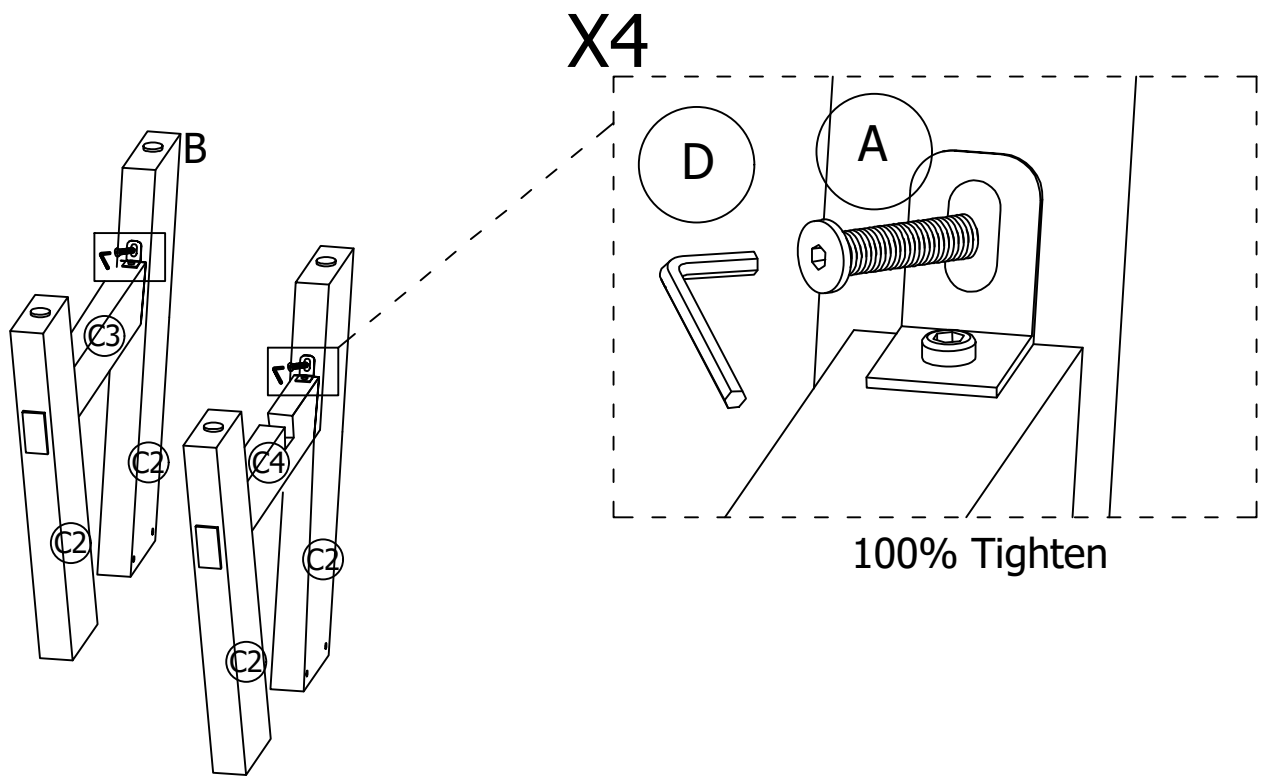
3



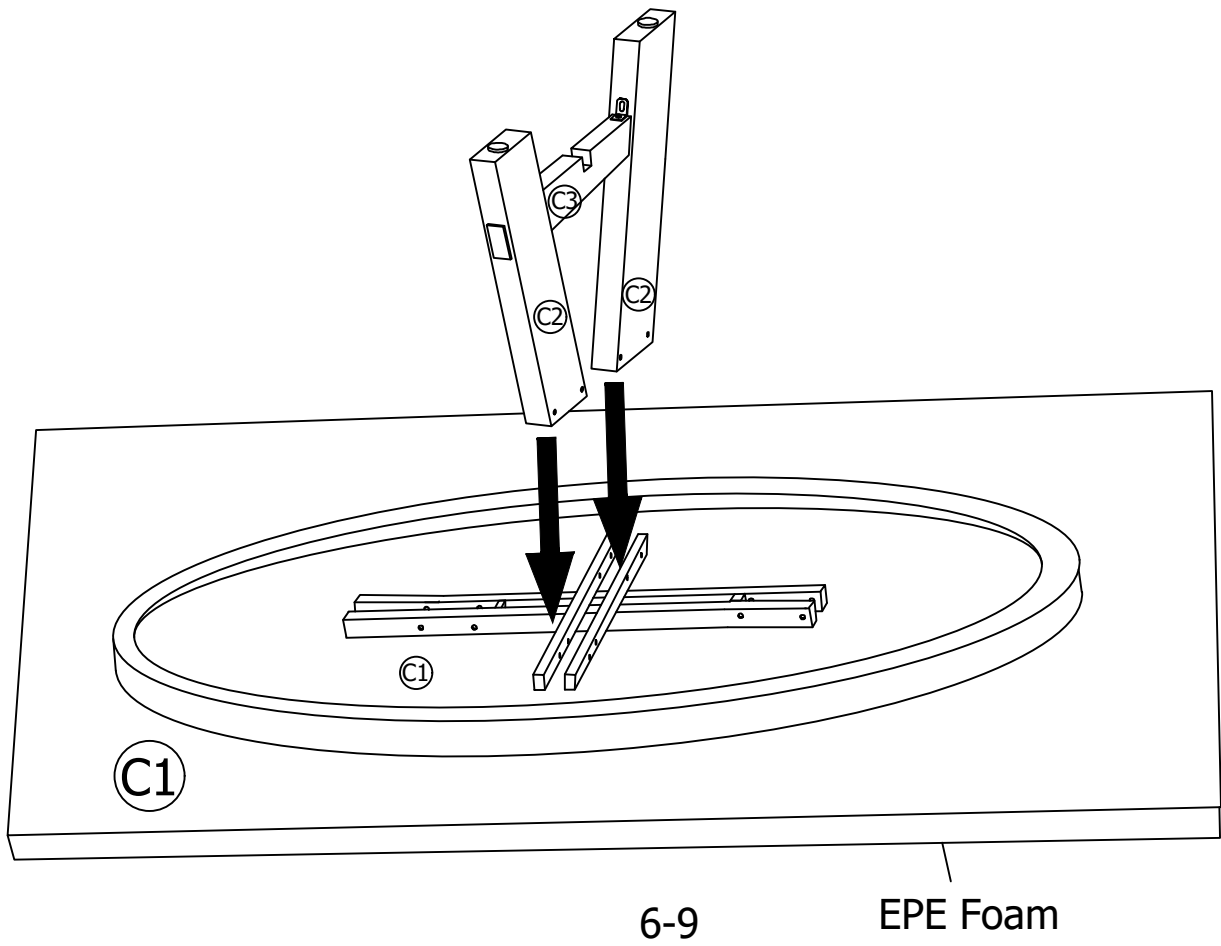
4



5

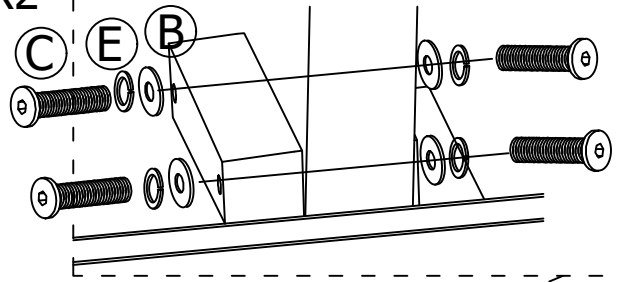


6

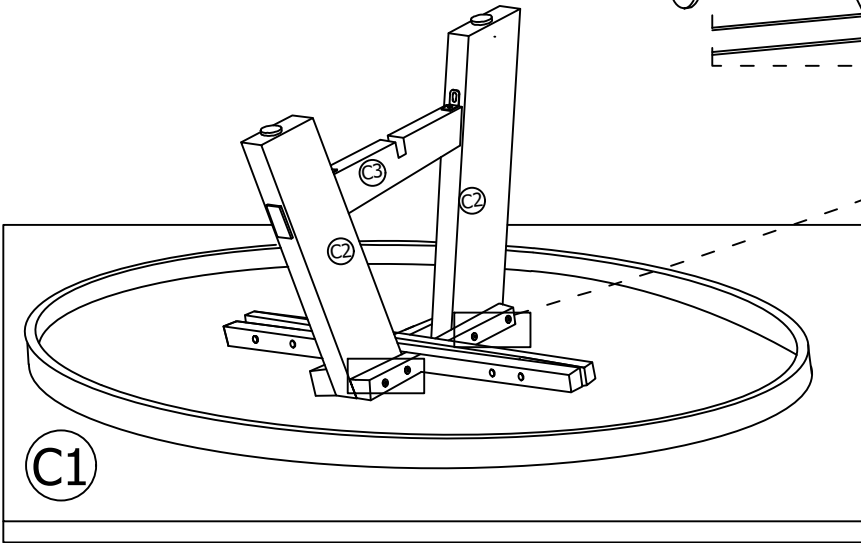


7

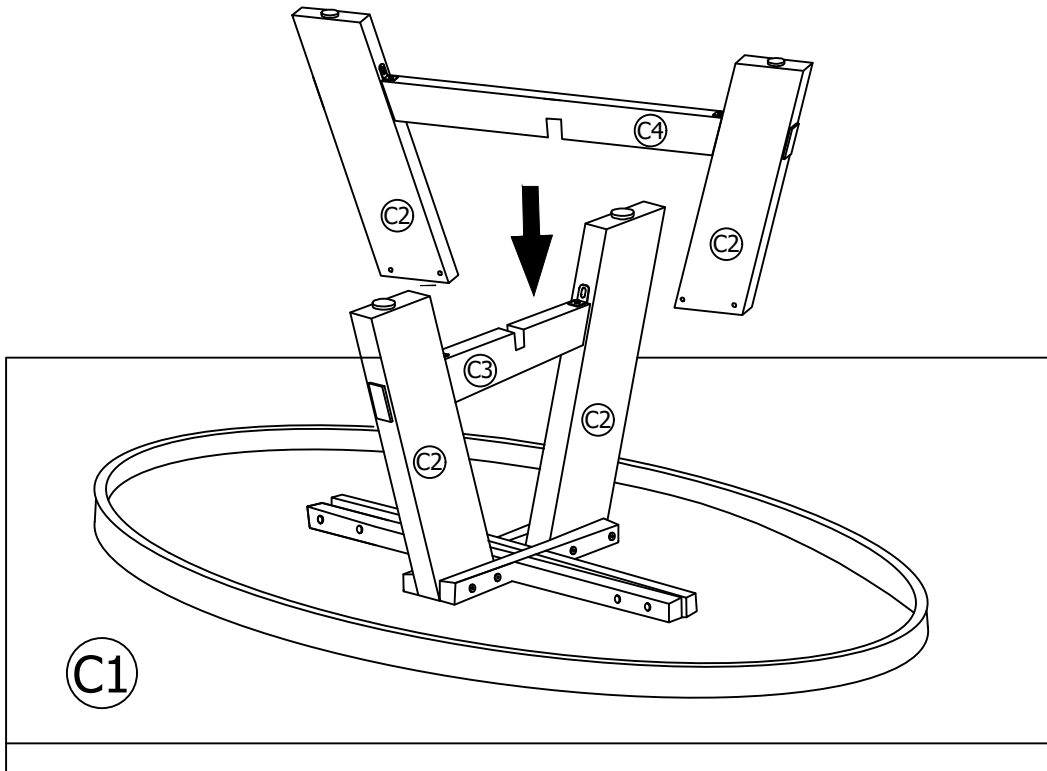
X2



80% Tighten



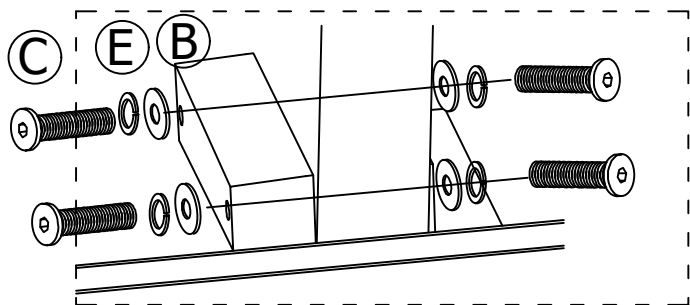
8



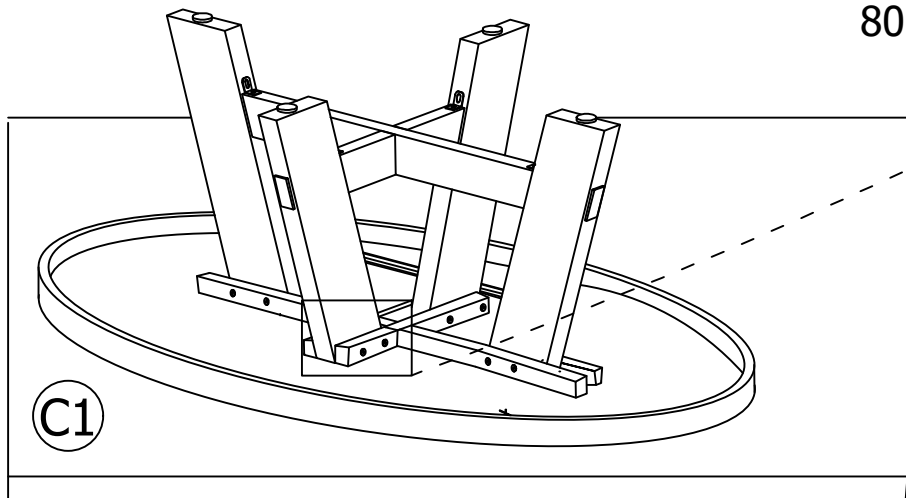
Put the second leg on the first leg, as the image shows.

9

X4

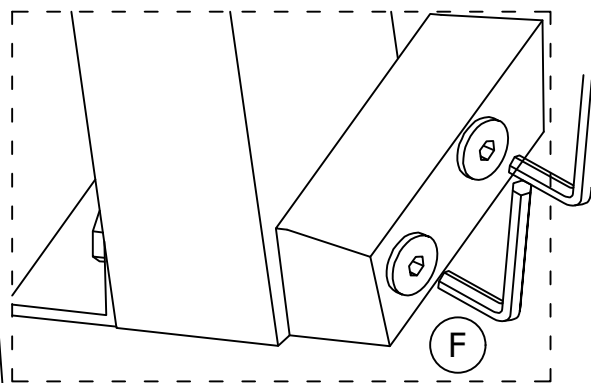


80% Tighten

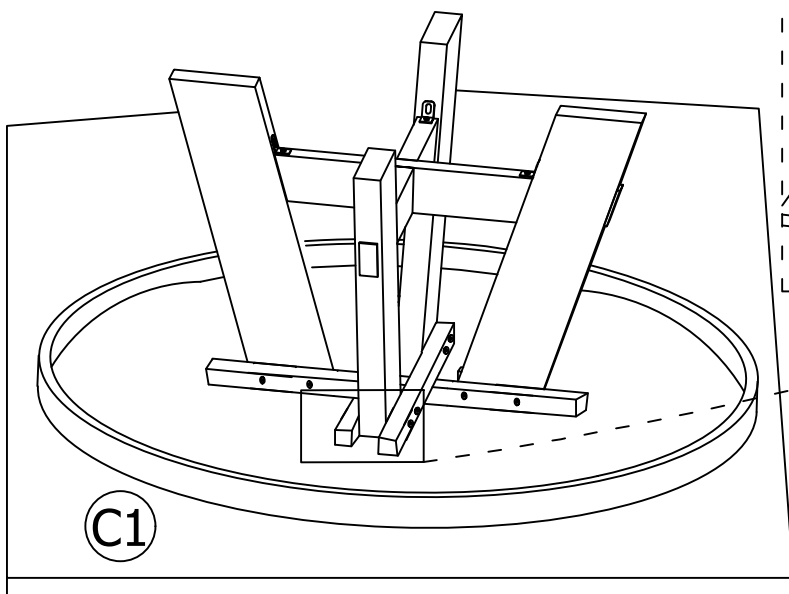


10

X4



100% Tighten



8-9

