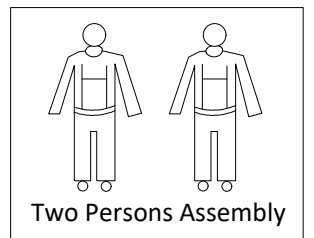
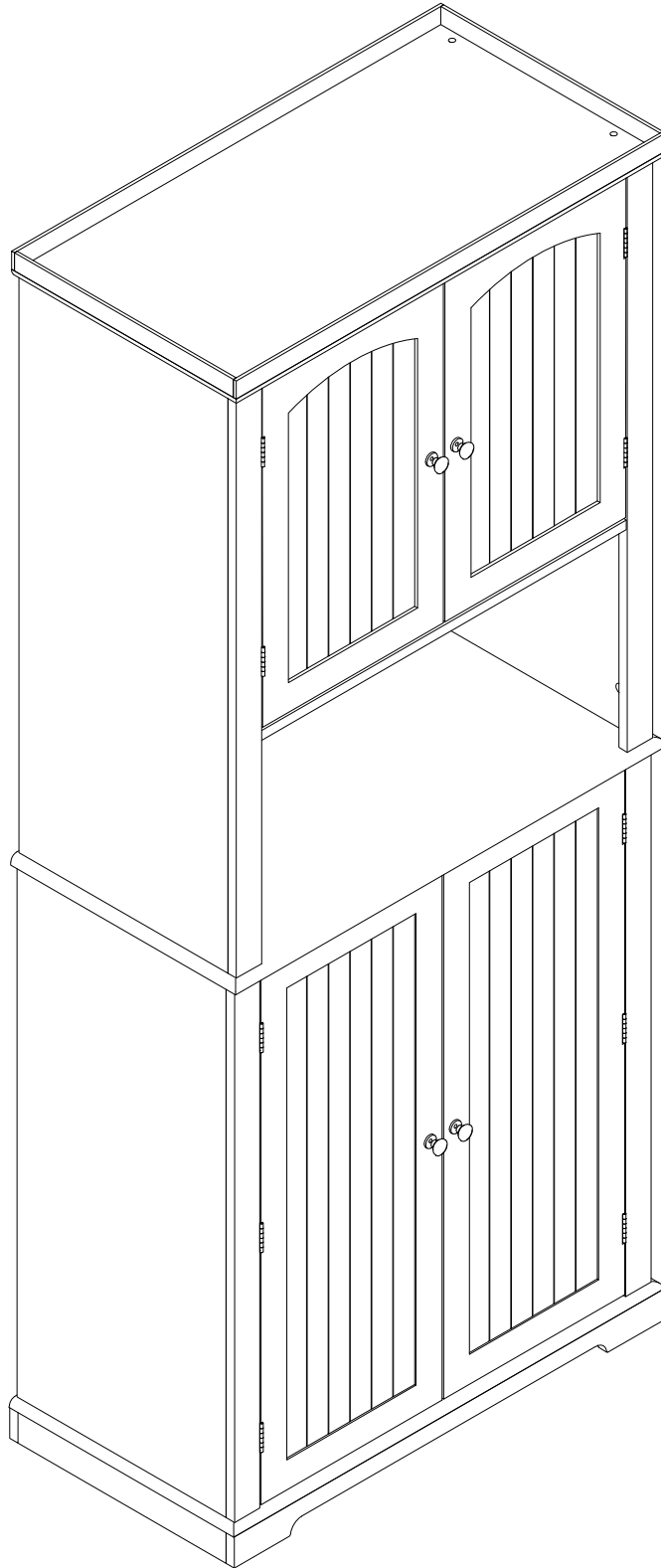
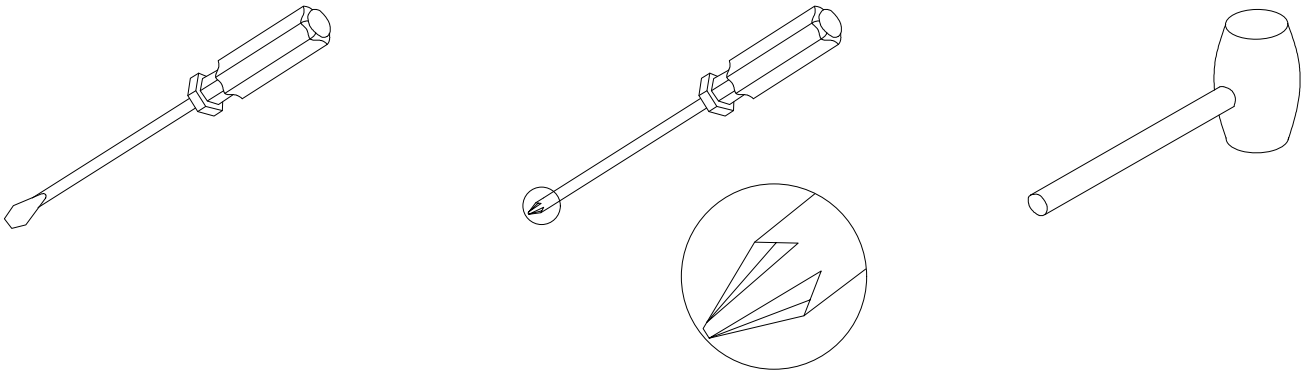


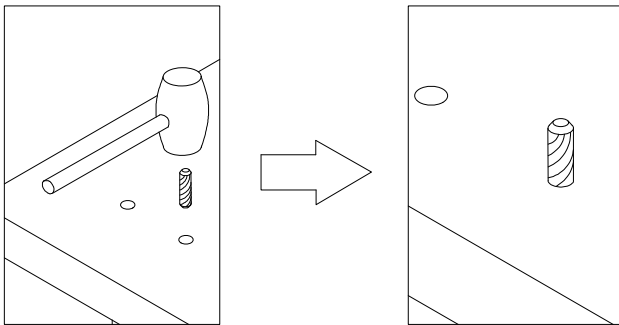
# ASSEMBLY INSTRUCTIONS



# ASSEMBLY TOOLS REQUIRED (NOT INCLUDED)



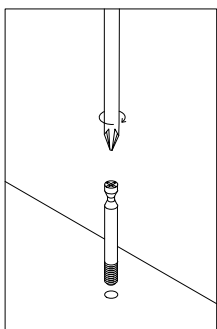
## Wooden Dowel Installation



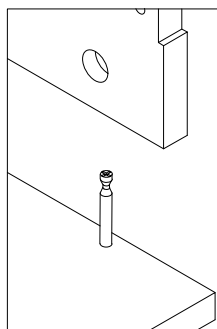
Gently tap dowel into hole with rubber mallet.

- \* Before discarding packing materials, please check all parts and hardware are presented.
- \* Please follow the instructions closely.
- \* After few days of initial assembly, the product may has acclimated to new environment, please tighten all hardware again.

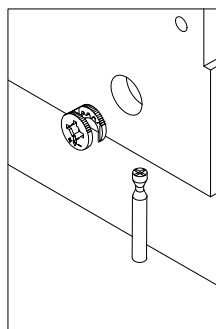
## Hidden Connector..... Assembly Techniques



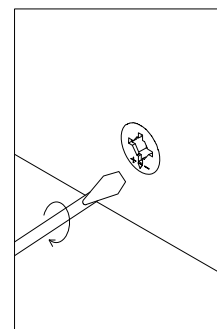
STEP (1)



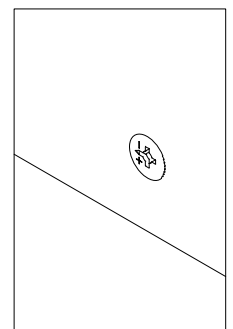
STEP (2)



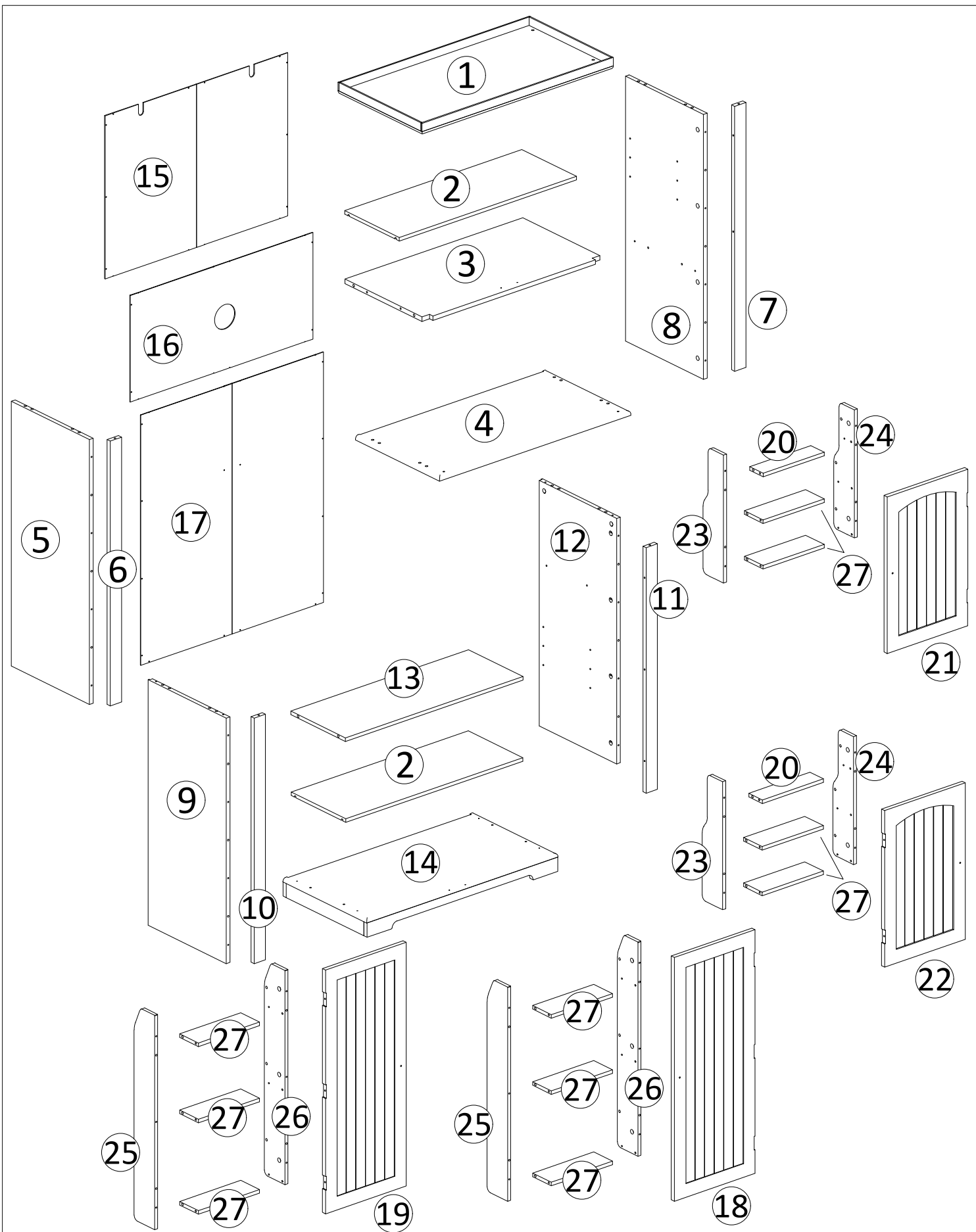
STEP (3)



STEP (4)



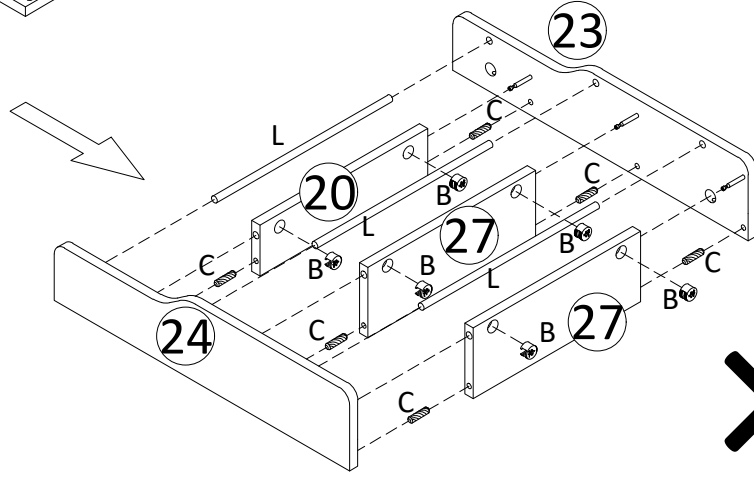
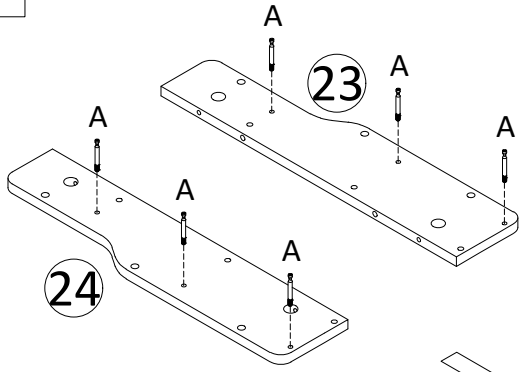
STEP (5)



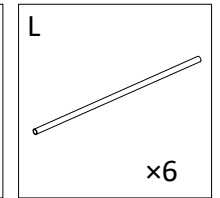
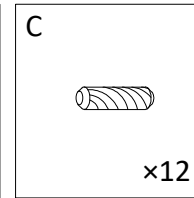
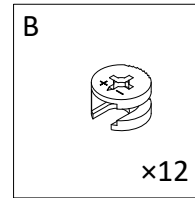
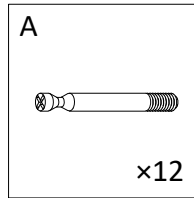
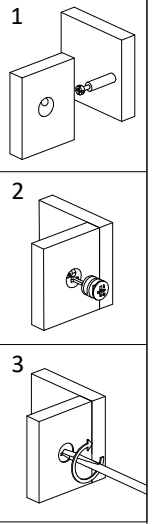
① × 1	② × 2	③ × 1	④ × 1	⑤ × 1	⑥ × 1	⑦ × 1	⑧ × 1	⑨ × 1	⑩ × 1
⑪ × 1	⑫ × 1	⑬ × 1	⑭ × 1	⑮ × 1	⑯ × 1	⑰ × 1	⑱ × 1	⑲ × 1	⑳ × 2
㉑ × 1	㉒ × 1	㉓ × 2	㉔ × 2	㉕ × 2	㉖ × 2	㉗ × 10			



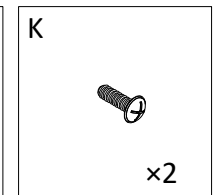
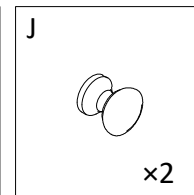
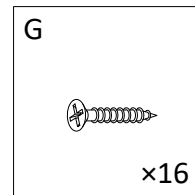
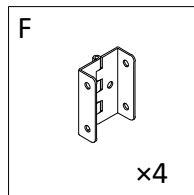
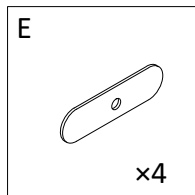
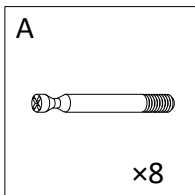
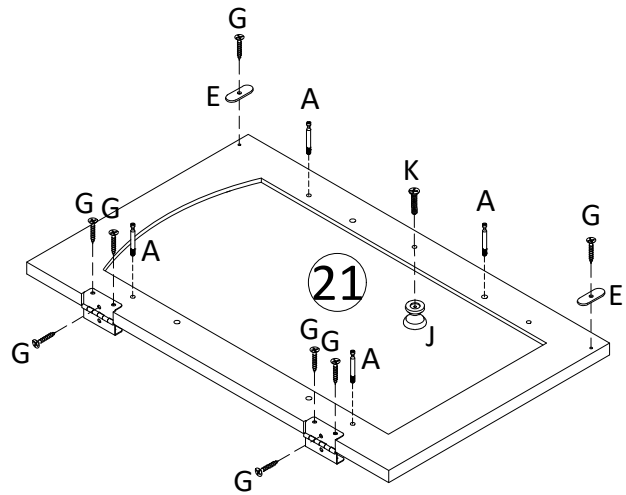
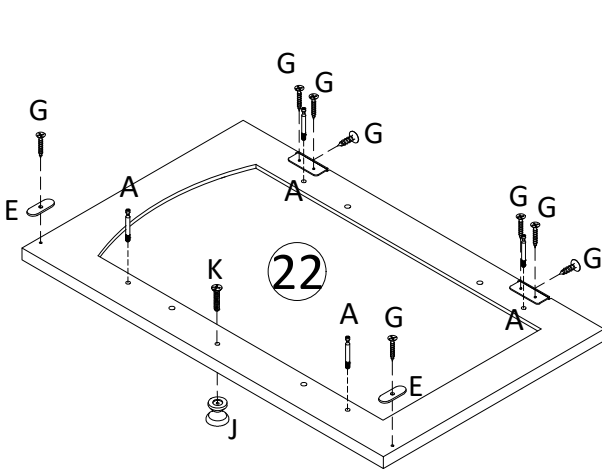
1



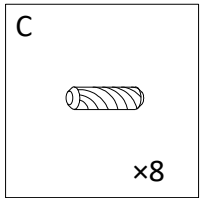
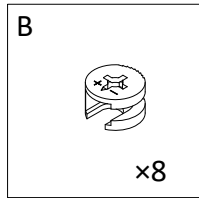
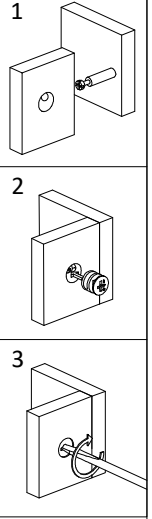
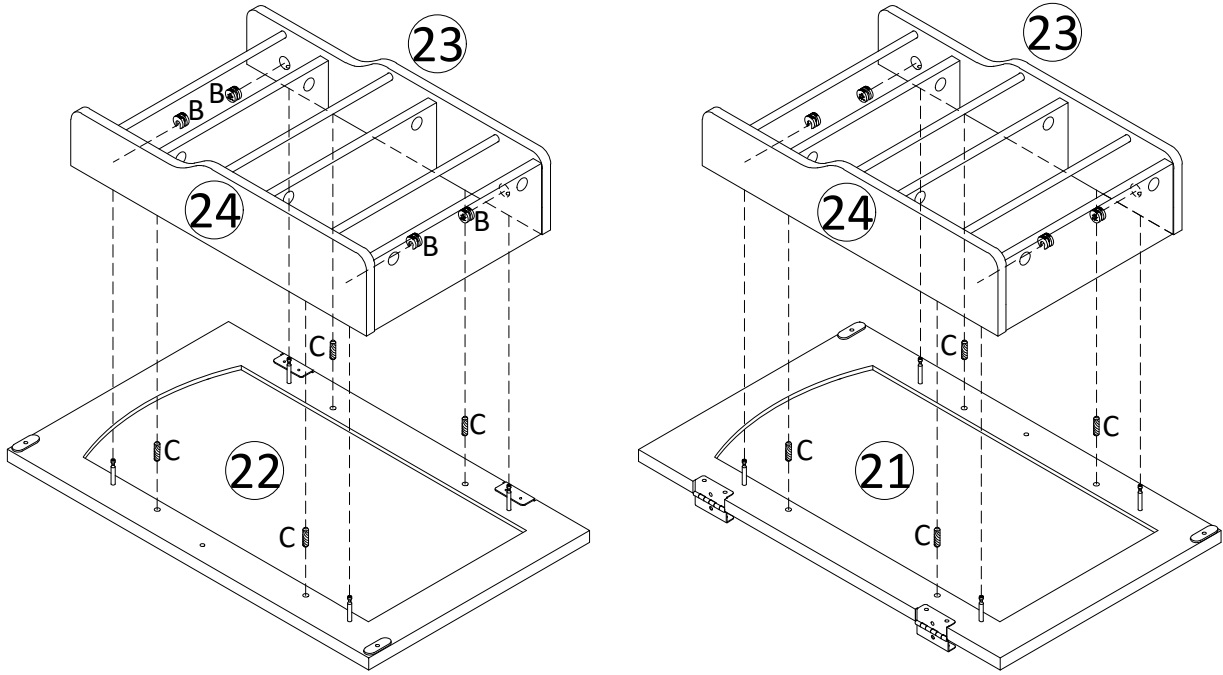
x2



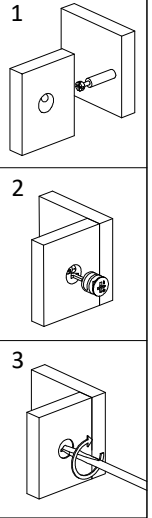
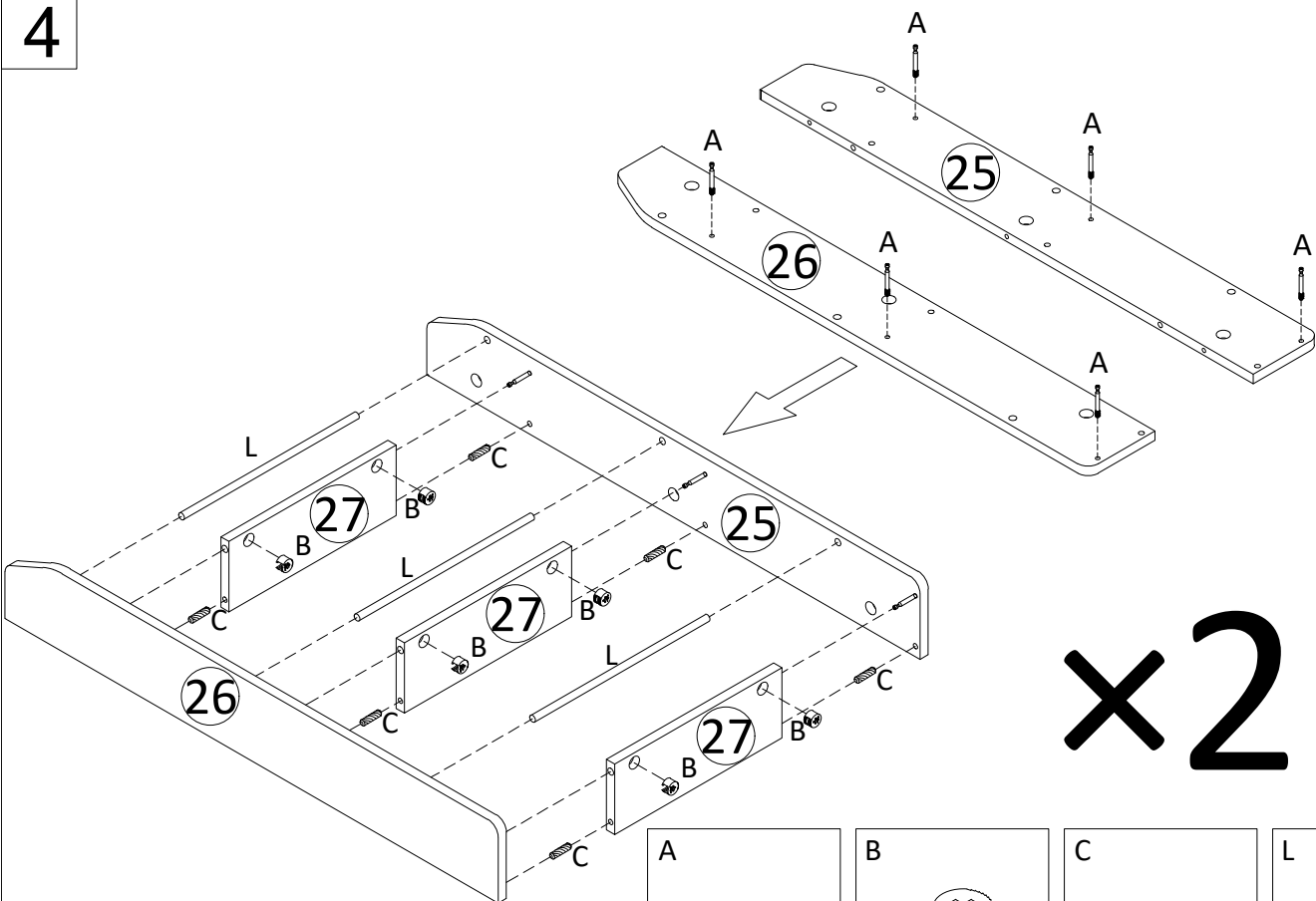
2



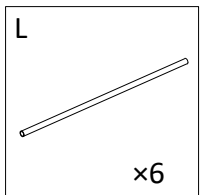
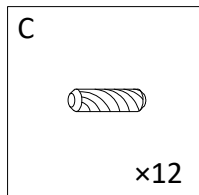
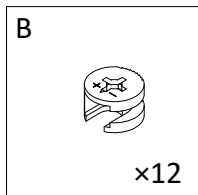
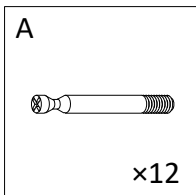
3



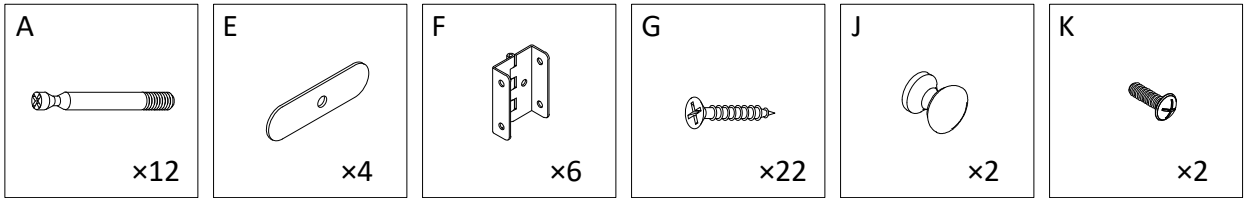
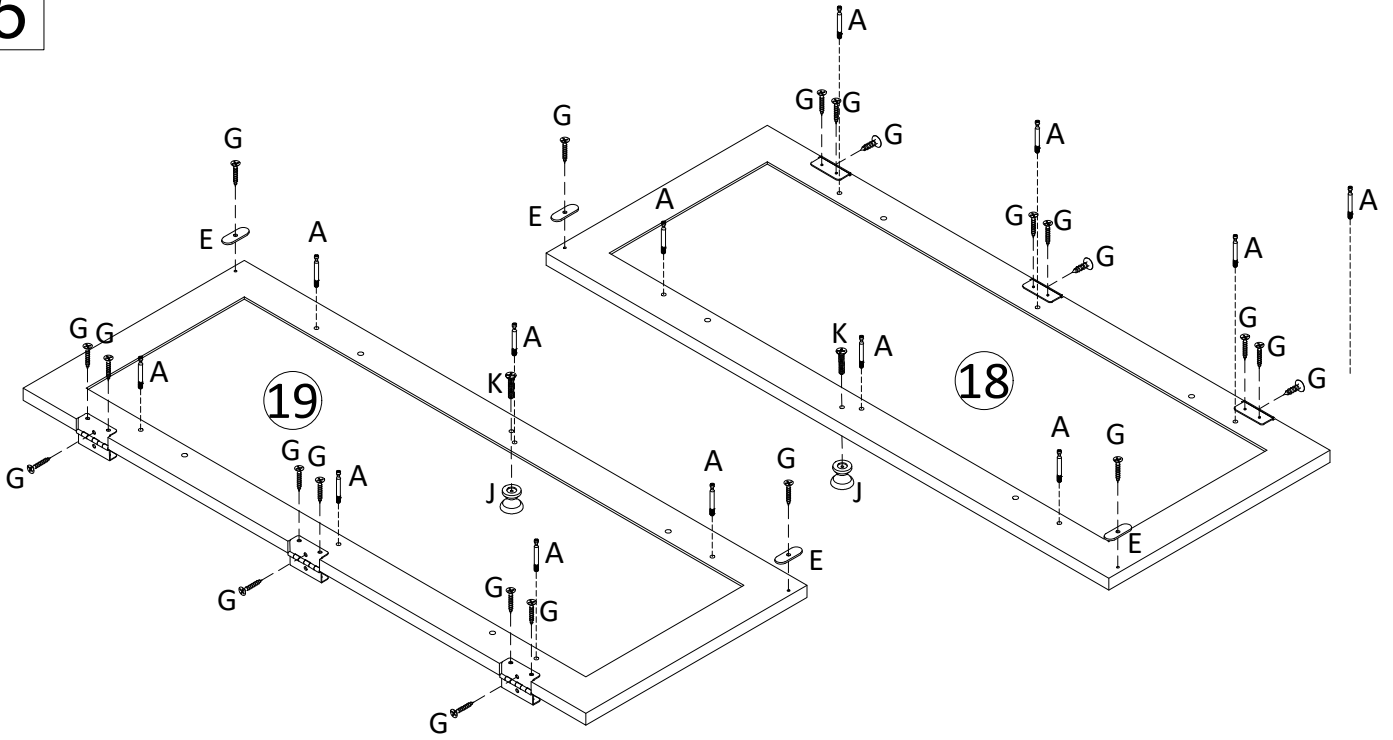
4



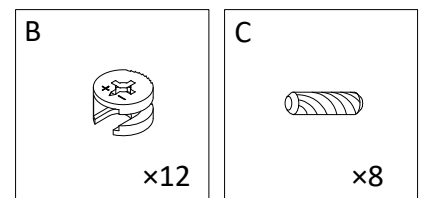
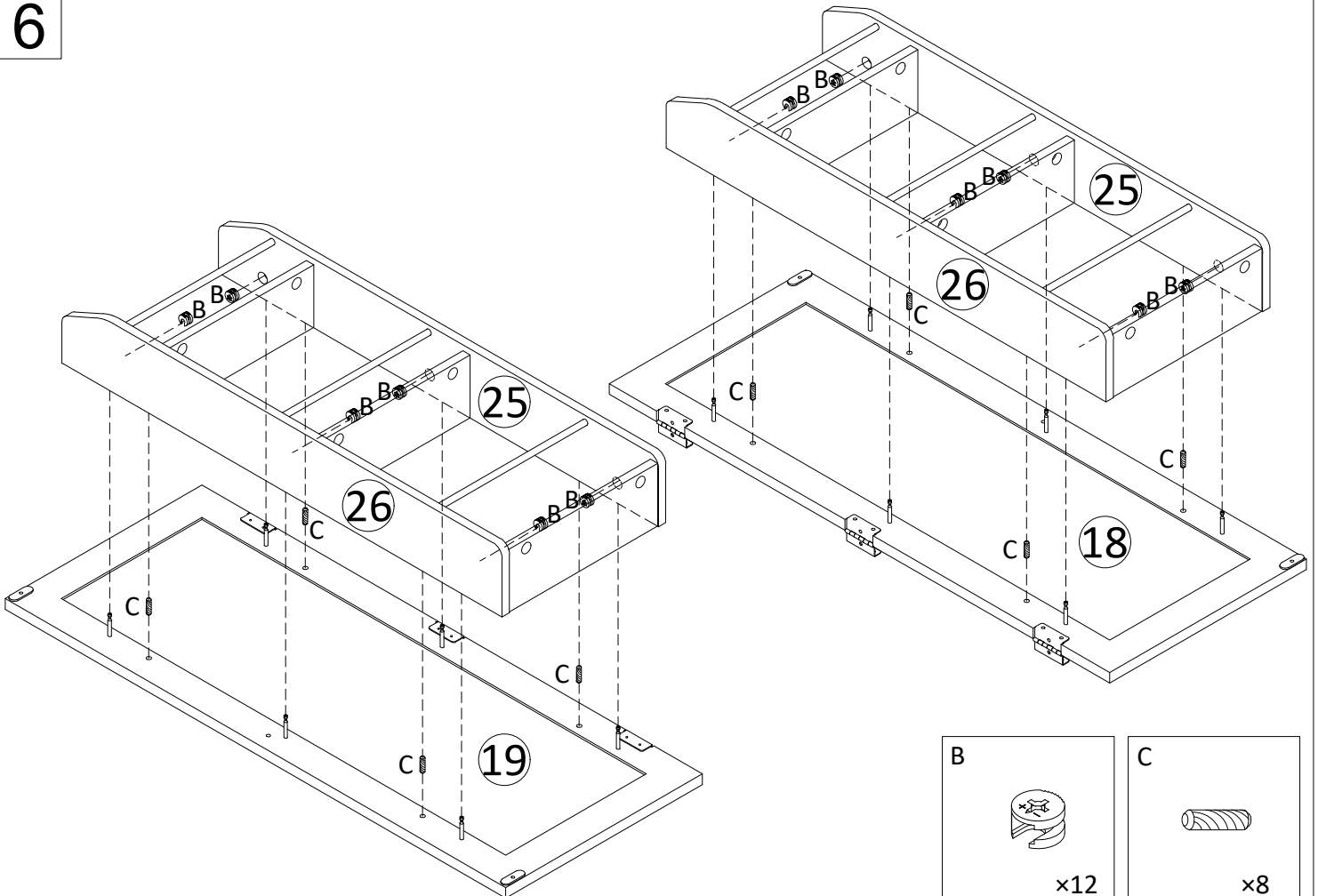
x2



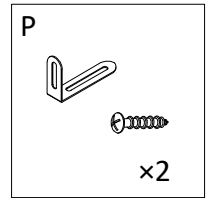
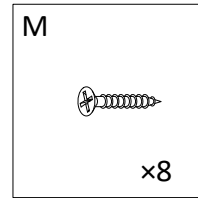
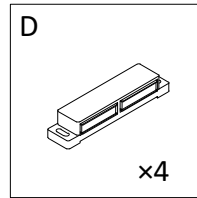
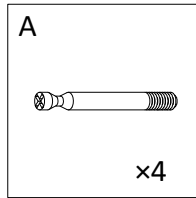
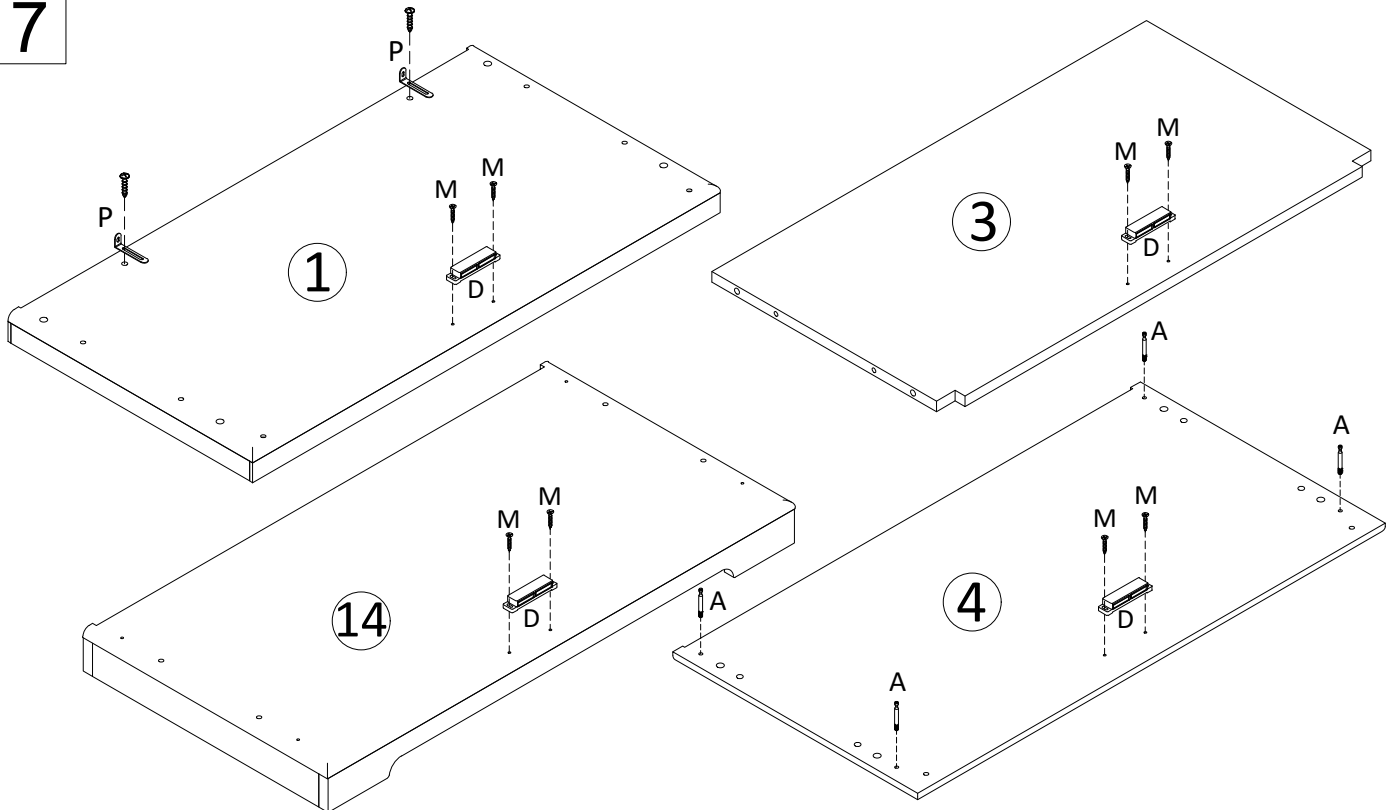
5



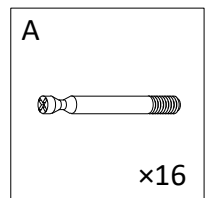
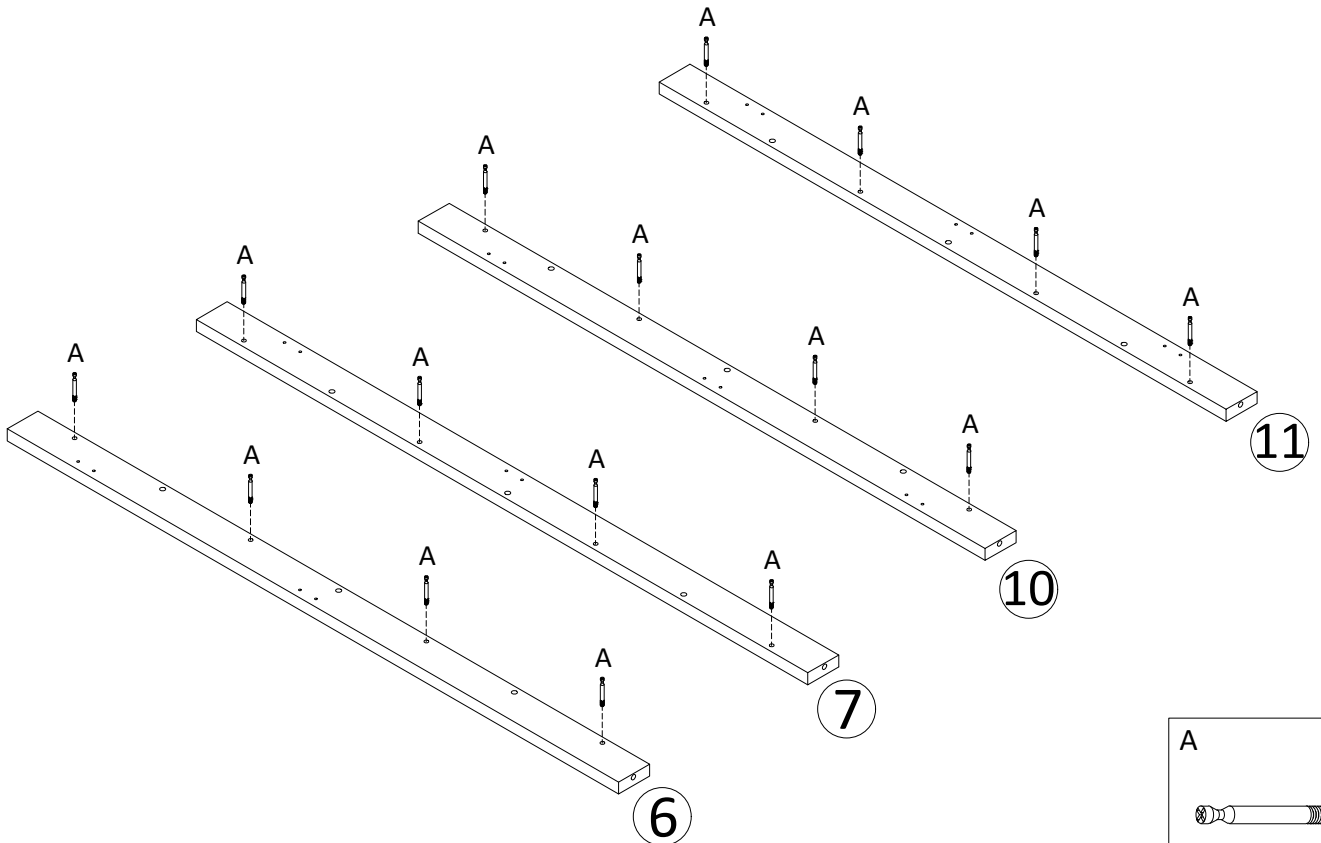
6



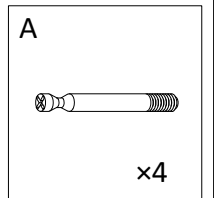
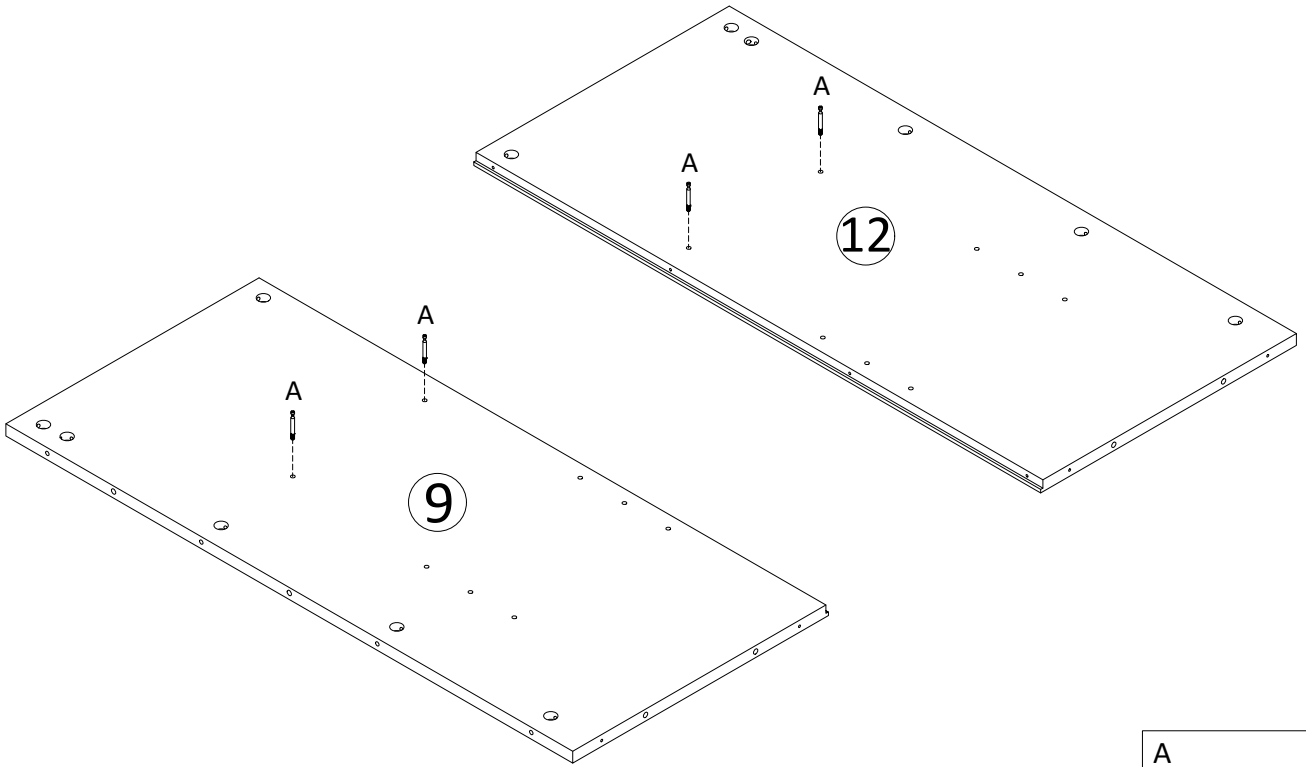
7



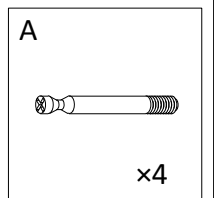
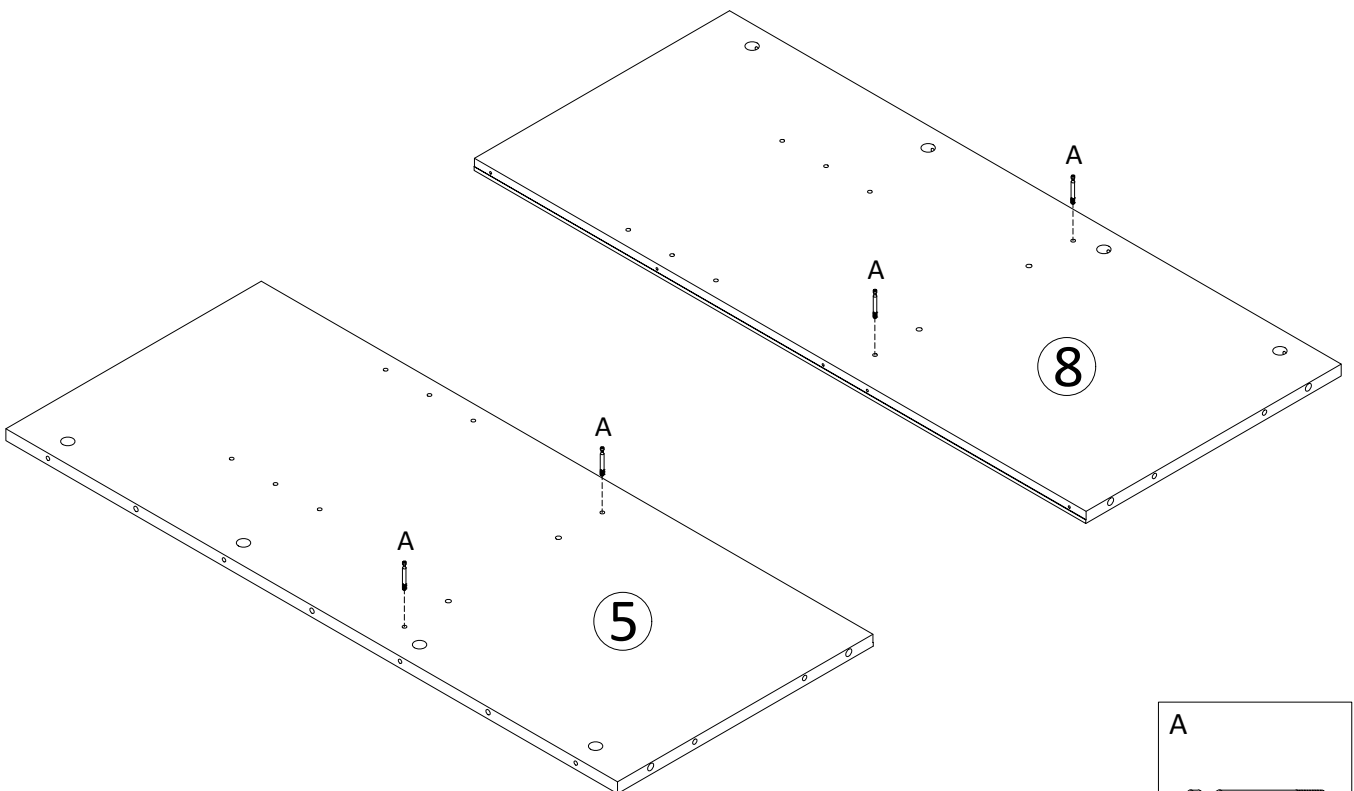
8



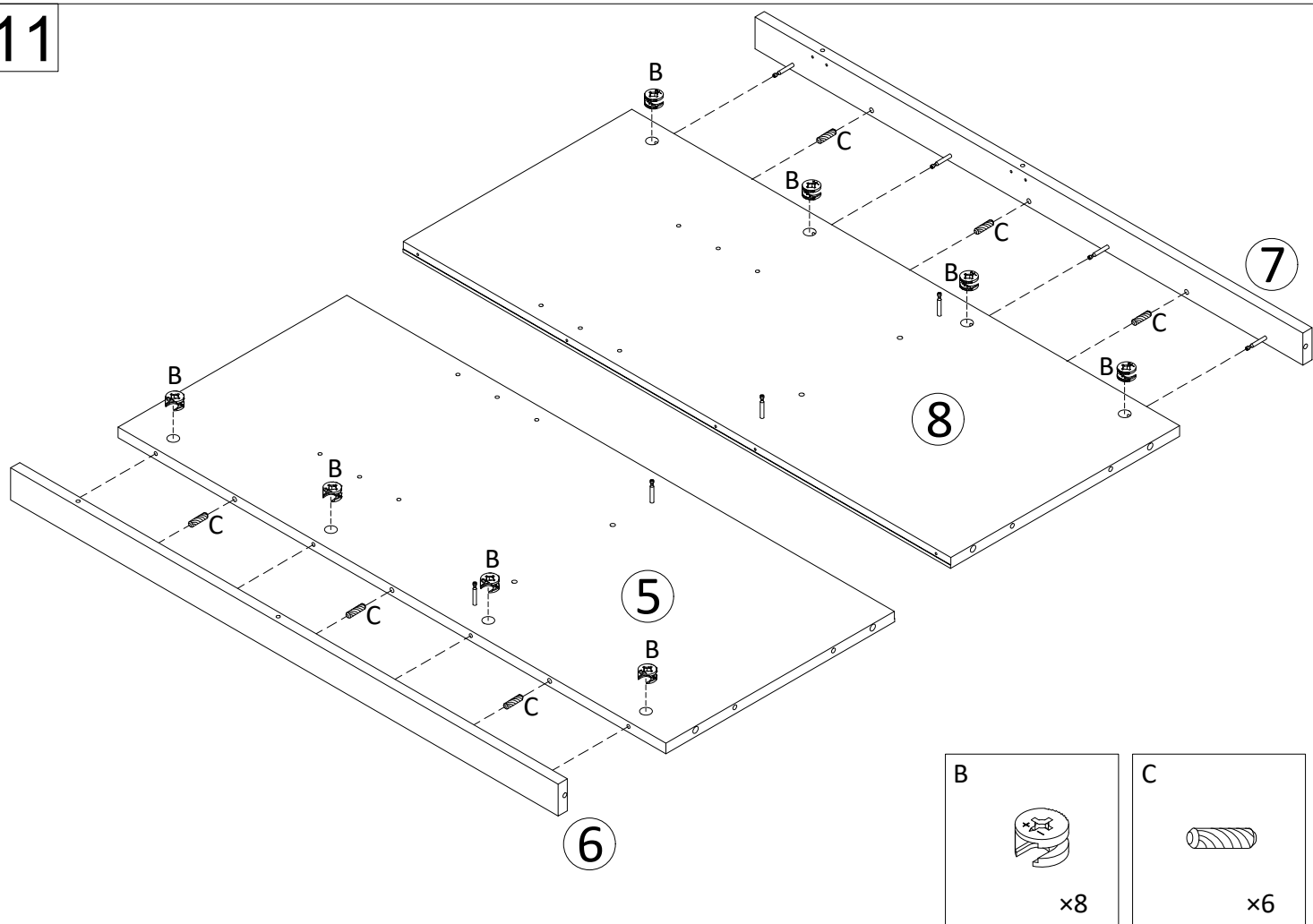
9



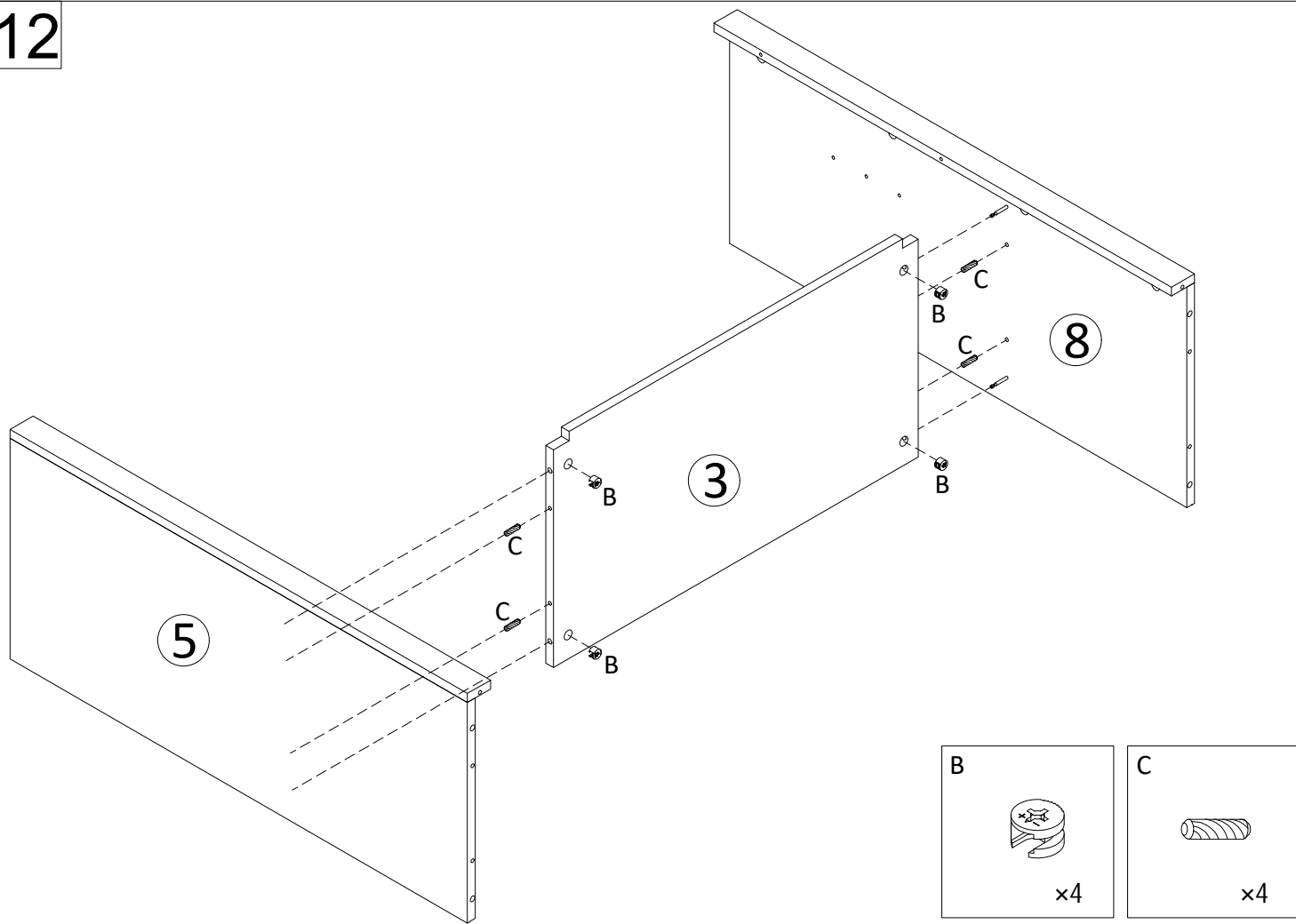
10



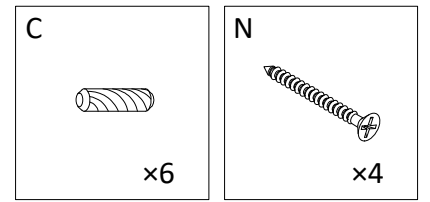
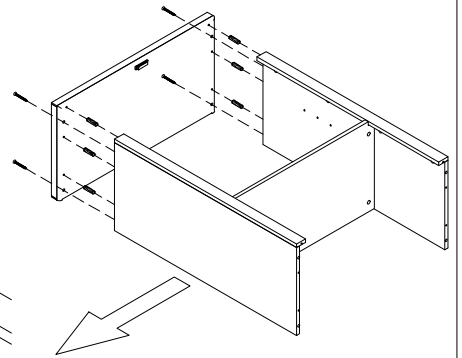
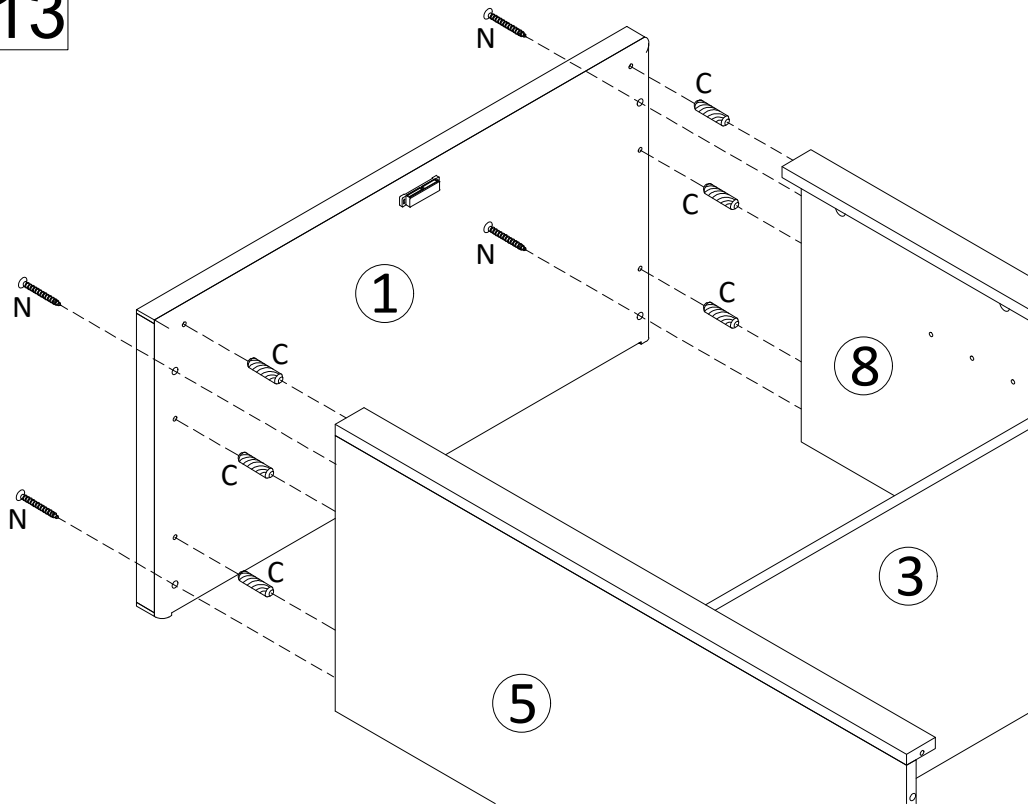
11



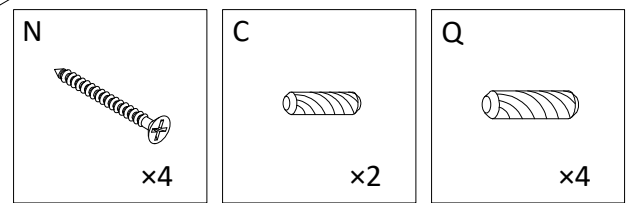
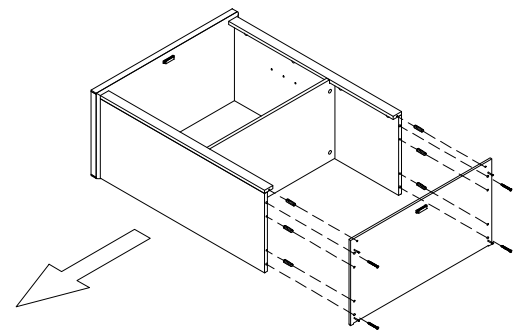
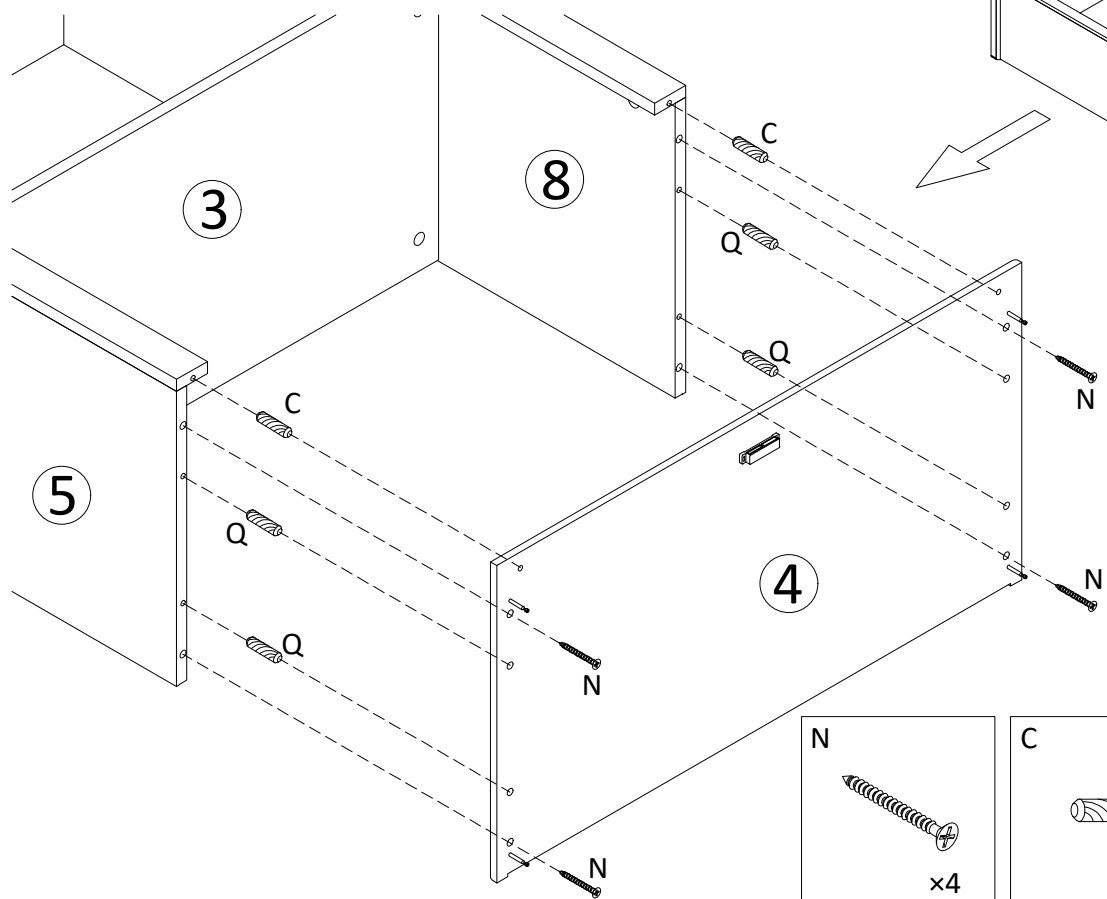
12



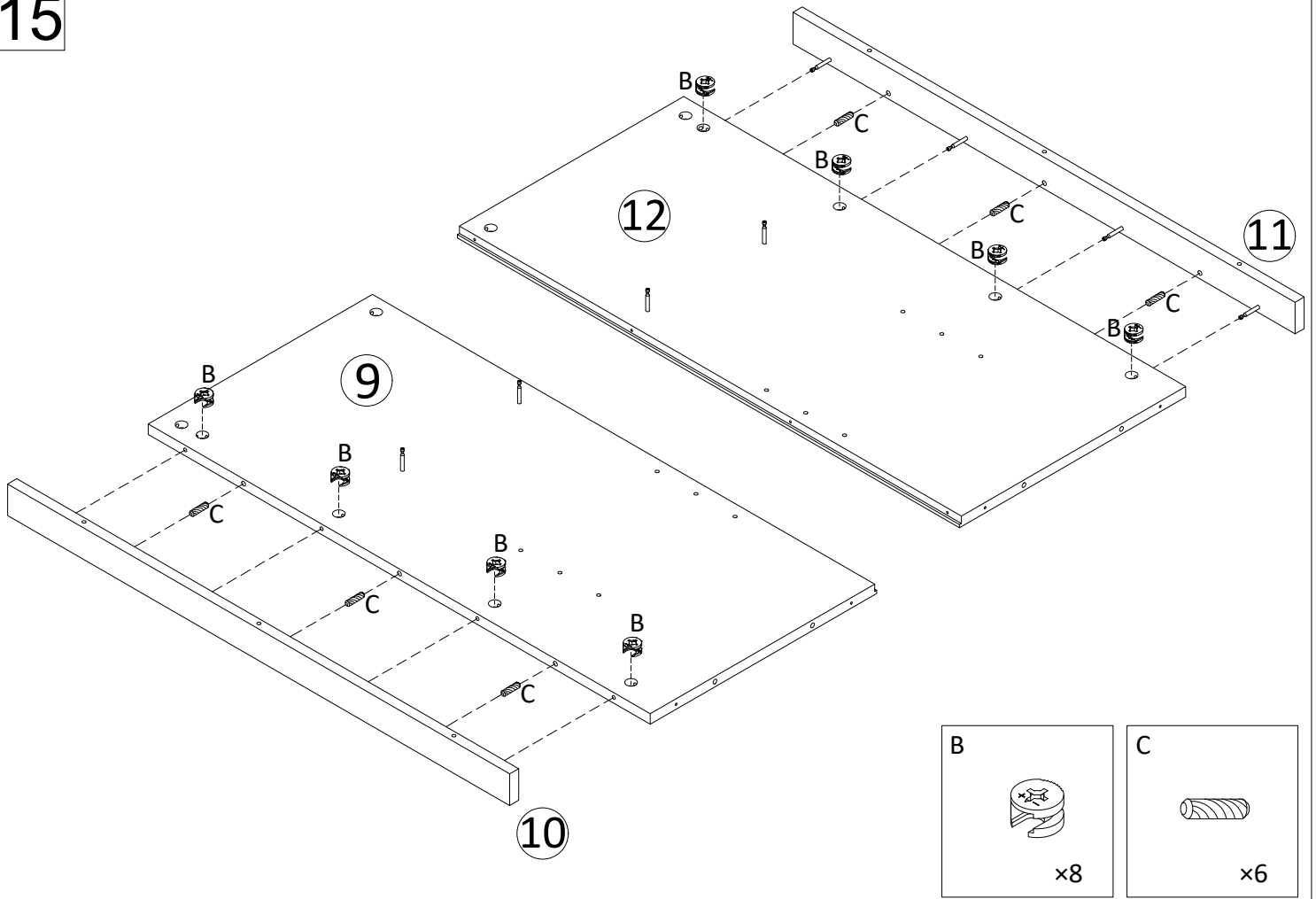
13



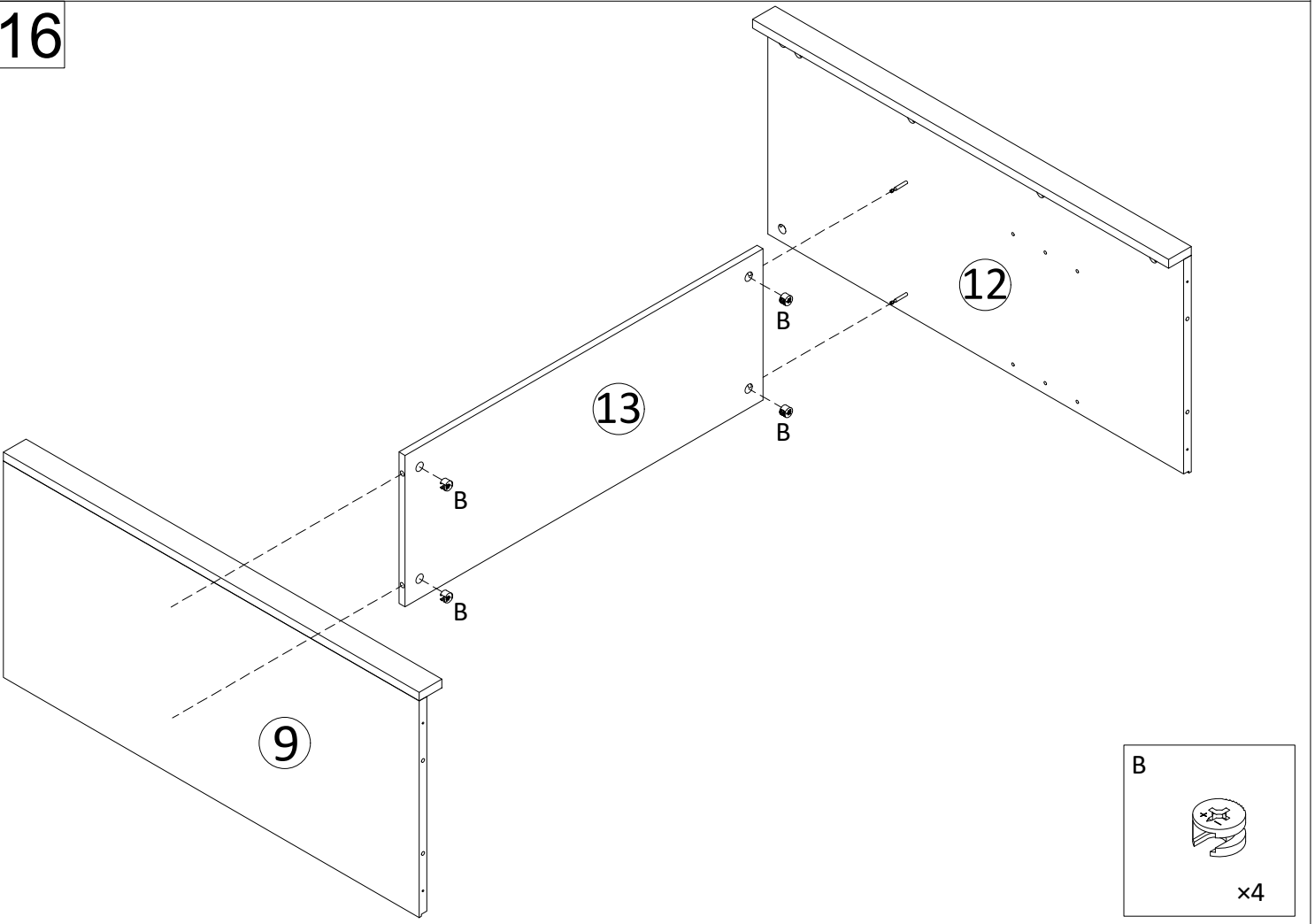
14



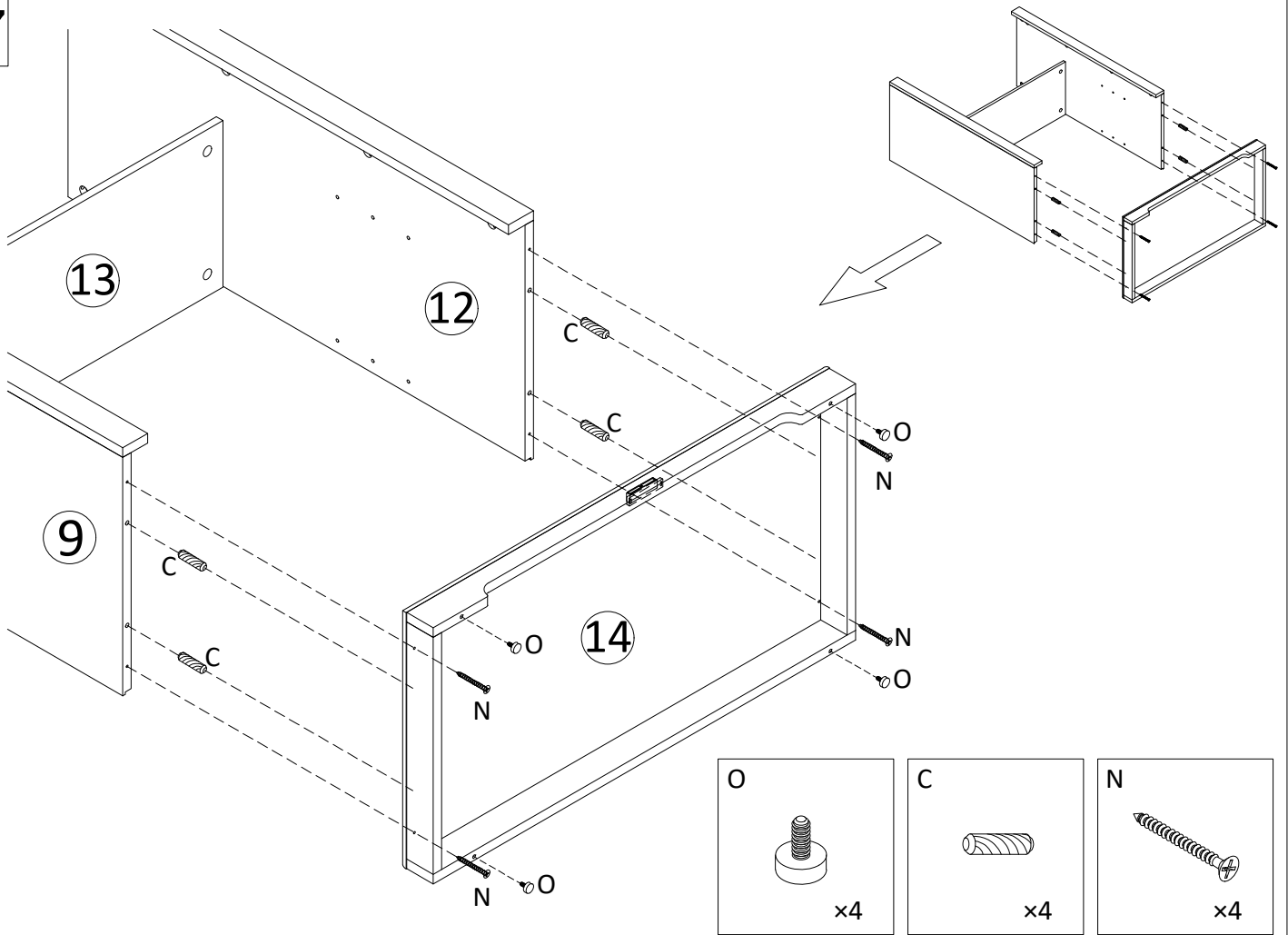
15



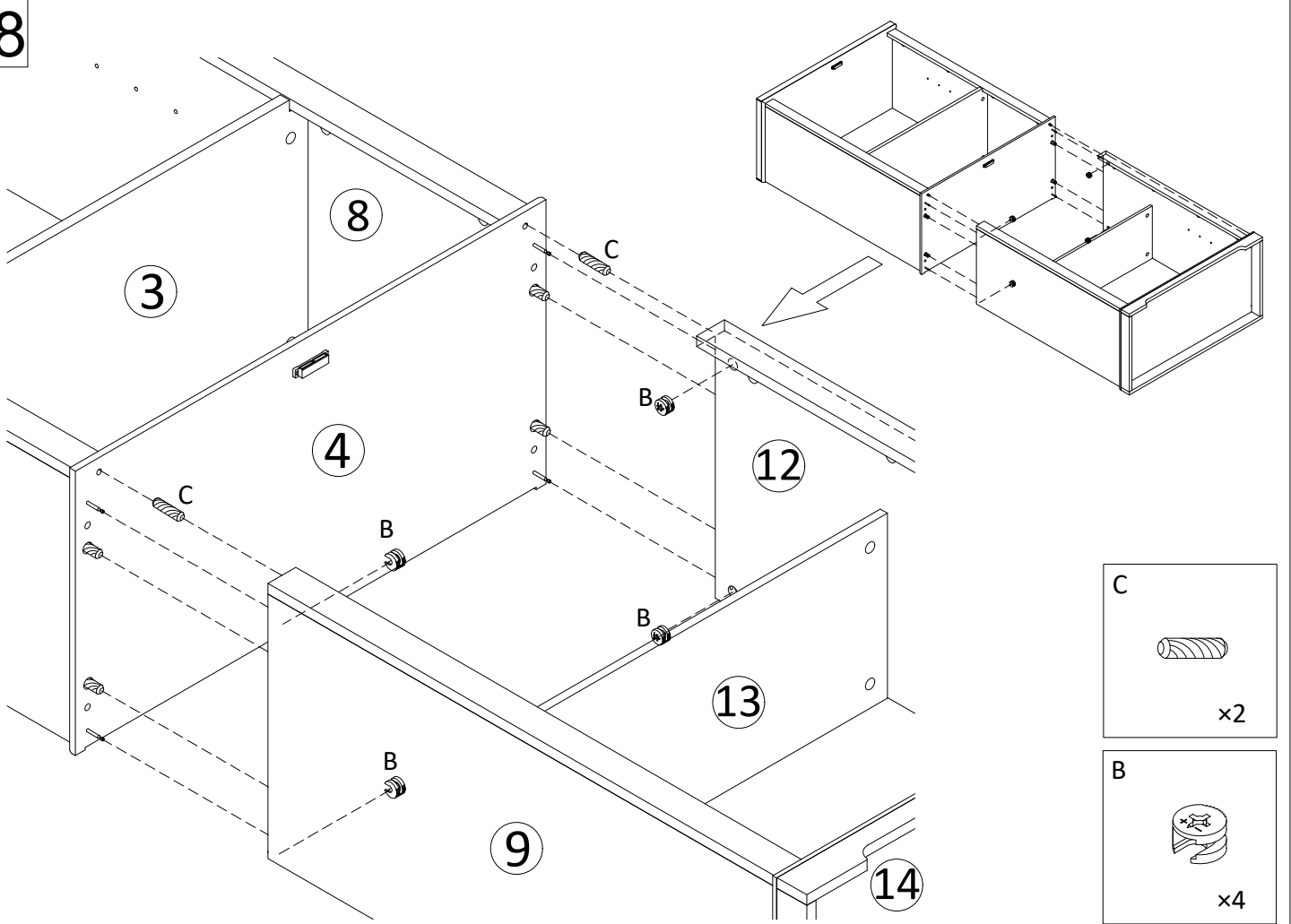
16



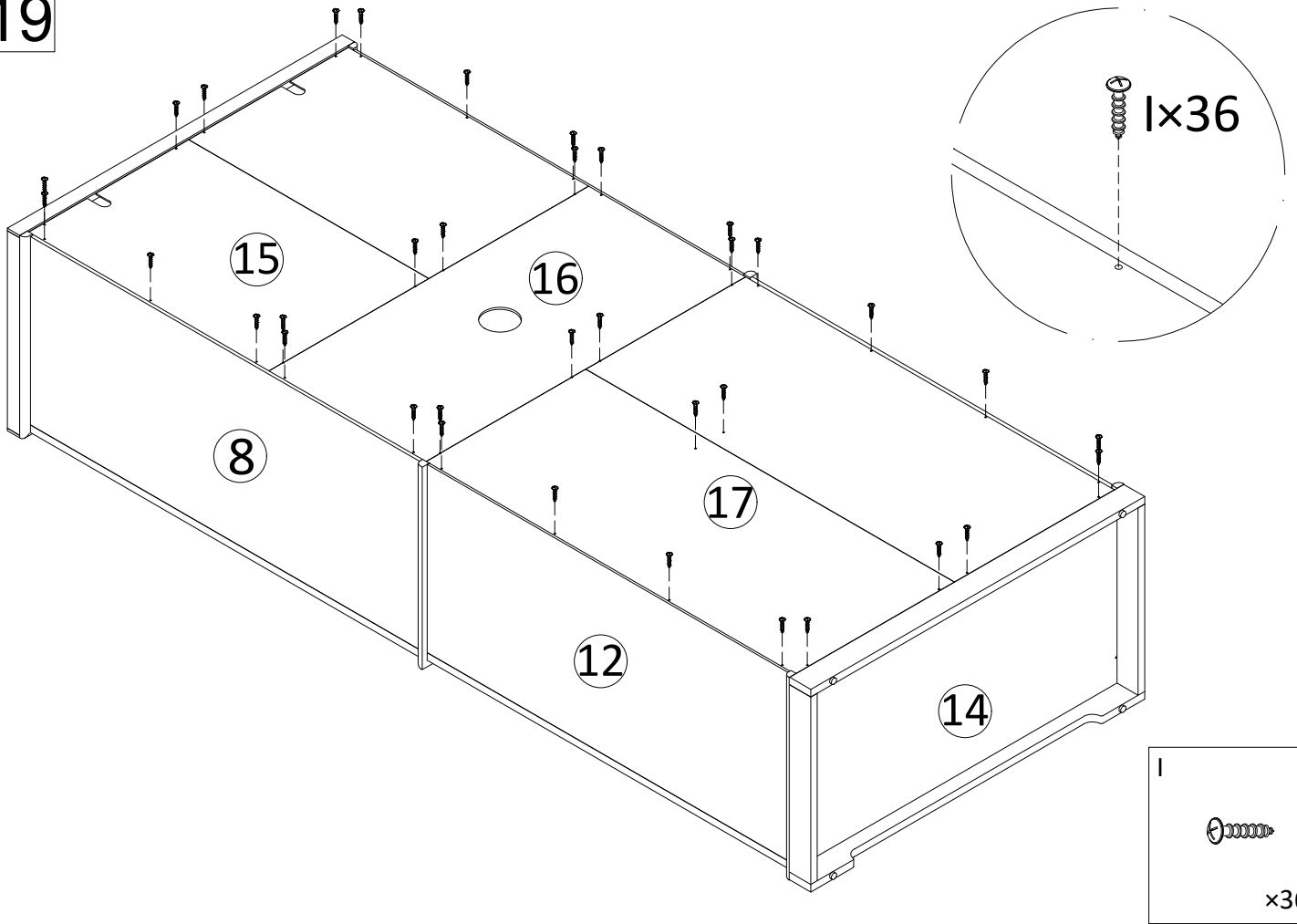
17



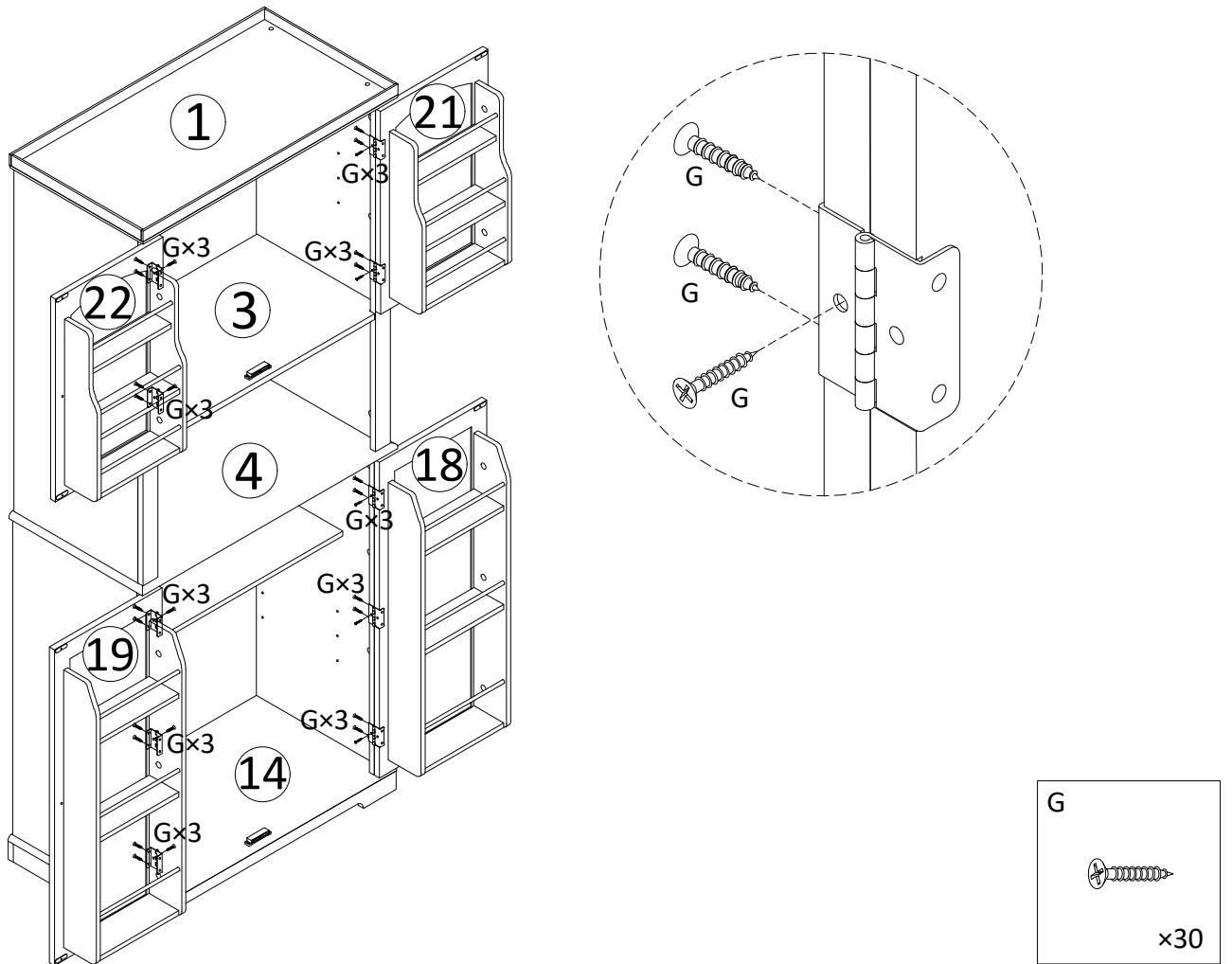
18



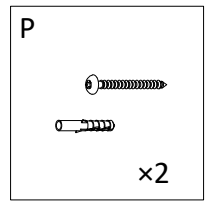
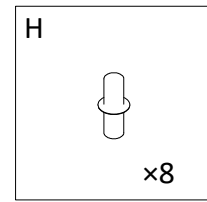
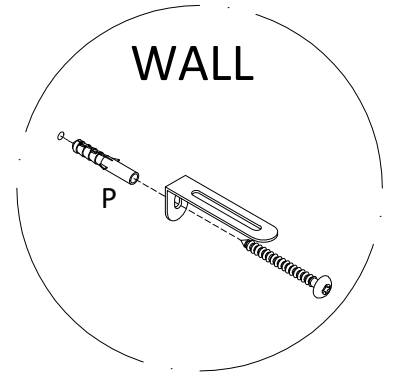
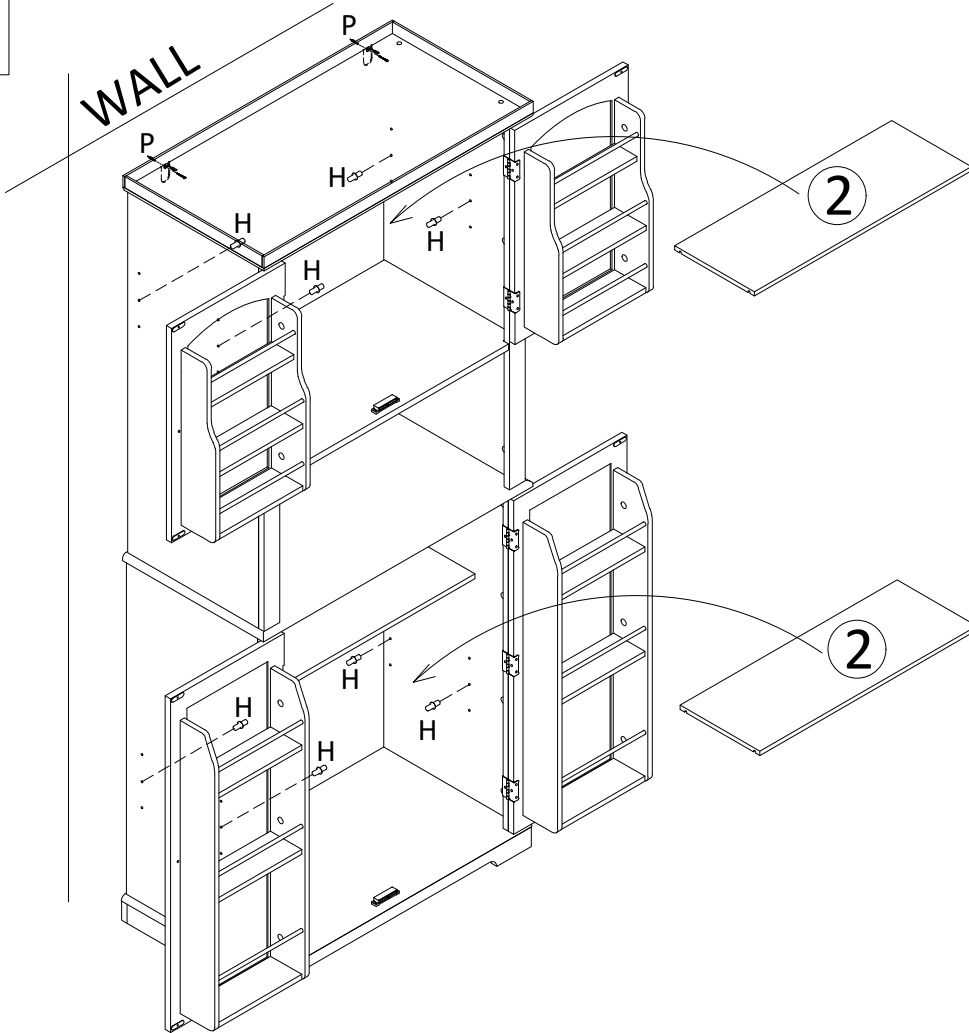
19



20



21



22

