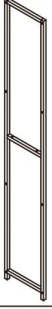

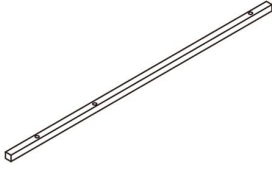
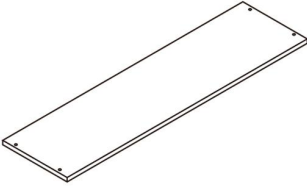
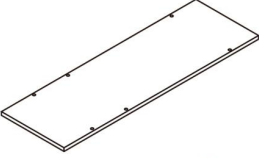
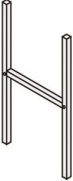








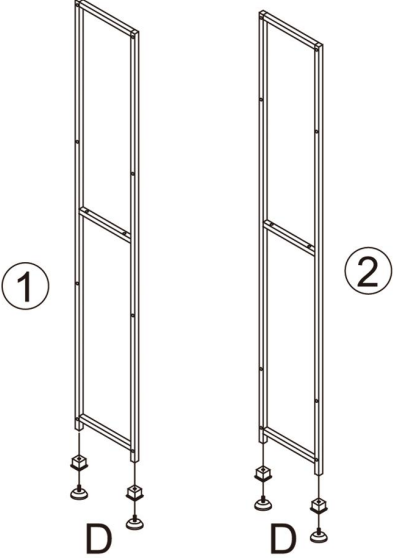
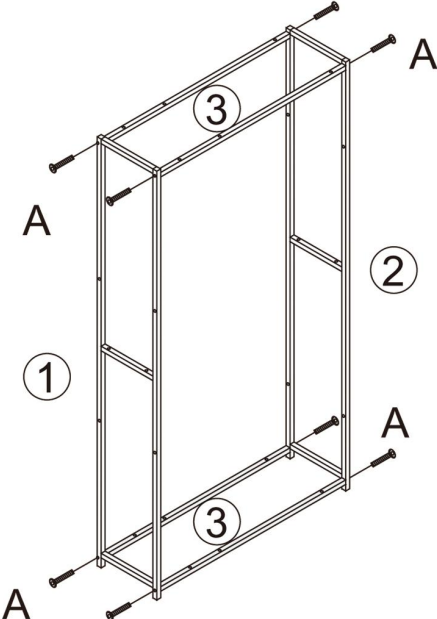
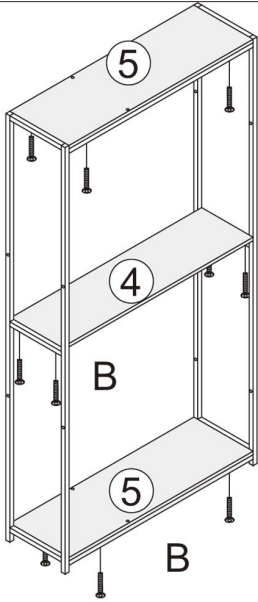


Installation instructions

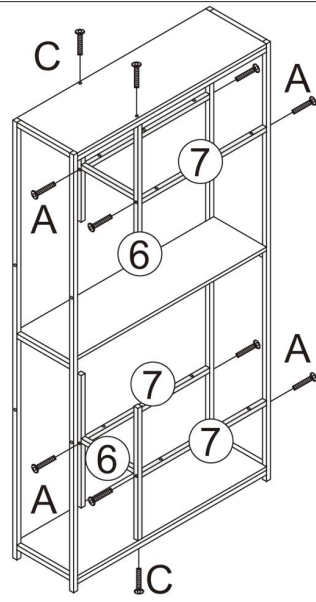
<p>①</p>  <p>1pc</p>	<p>②</p>  <p>1pc</p>	<p>③</p>  <p>4pcs</p>	<p>④</p>  <p>1pc</p>	
<p>⑤</p>  <p>2pcs</p>	<p>⑥</p>  <p>2pcs</p>	<p>⑦</p>  <p>8pcs</p>	<p>⑧</p>  <p>4pcs</p>	
<p>⑨</p>  <p>2pcs</p>	<p>⑩</p>			
<p>A</p>  <p>24pcs</p>	<p>B</p>  <p>28pcs</p>	<p>C</p>  <p>12pcs</p>	<p>D</p>  <p>4pcs</p>	<p>E</p>  <p>2pcs</p>
<p>01</p> 		<p>02</p> 		

Notes: Don't tighten screws completely at first, just in case parts were assembled wrong and need disassembled. Tighten screws at last when all parts are put together.

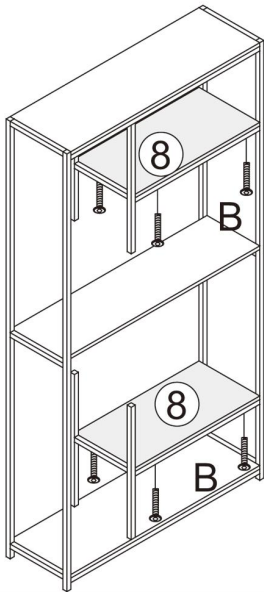
03



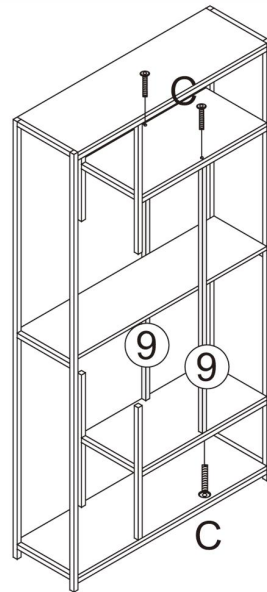
04



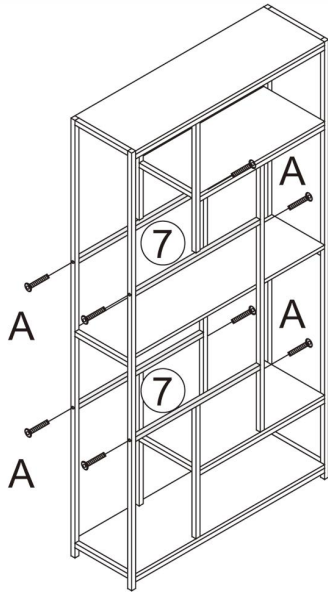
05



06



07



08

