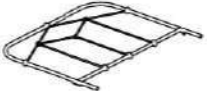













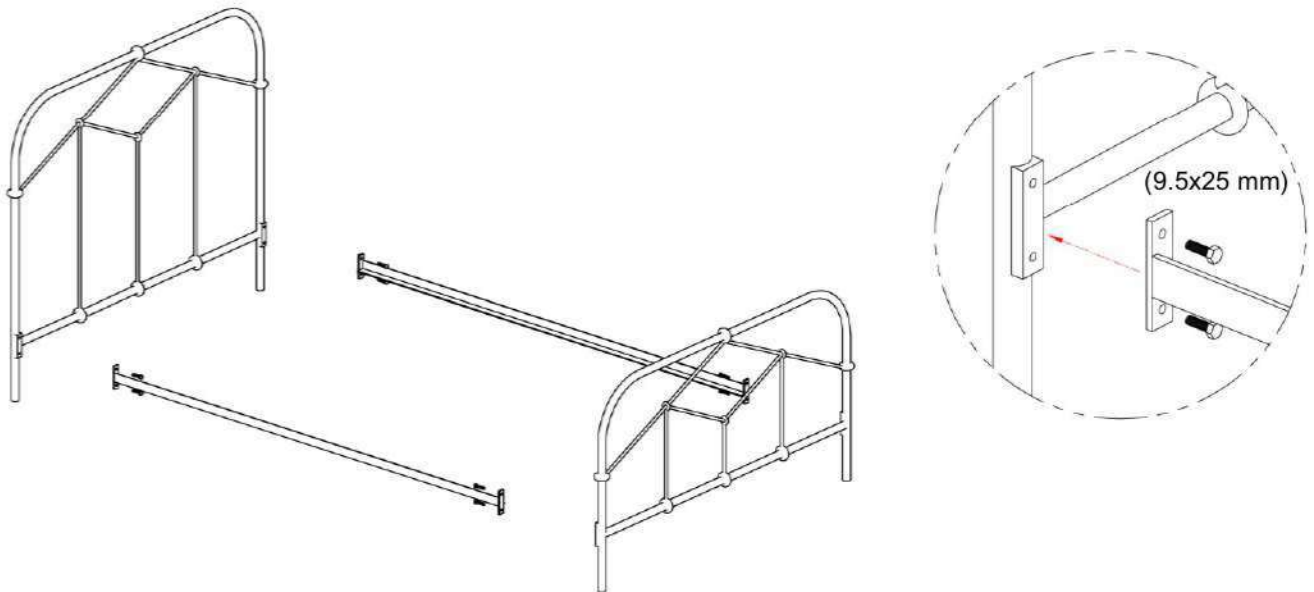


**Assembly Instruction**  
**Product Description: KING Bed**

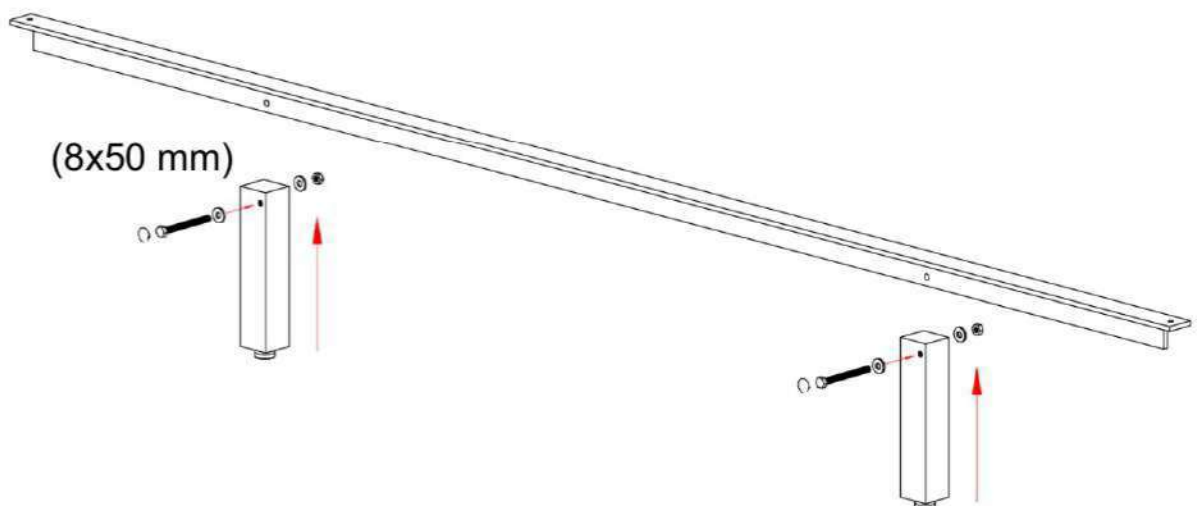
Hardware and Component List:

Hardware/Component List		Qty.	Hardware/Component List		Qty.
	Headboard	1		Footboard	1
	Side Rail	2		Center Support	2
	Center Leg	4		Slats	1
	Bolt	8		Washer	8
	Bolt	4		Nut	4
	Bolt	4		Wrench	1
	Allen Bolt	4		Allen Key	1

1



2

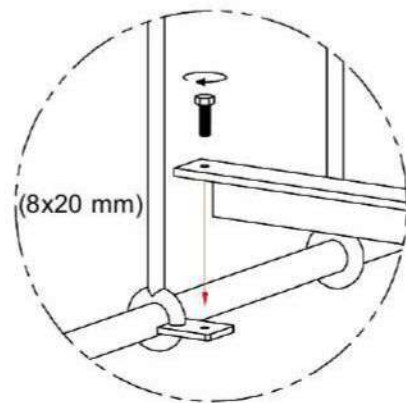
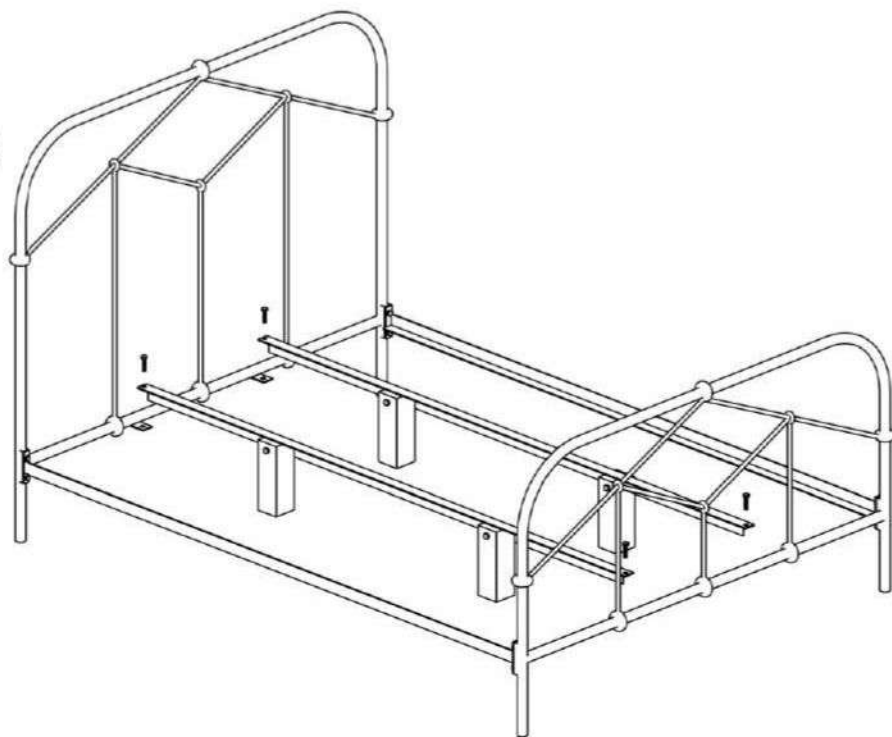


CAUTION : Please do not over tighten bolts / screw.

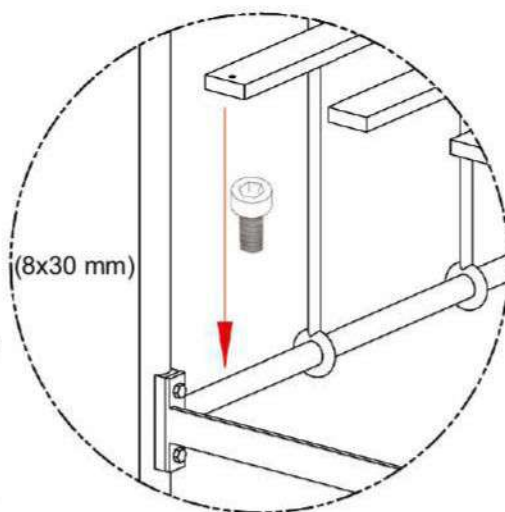
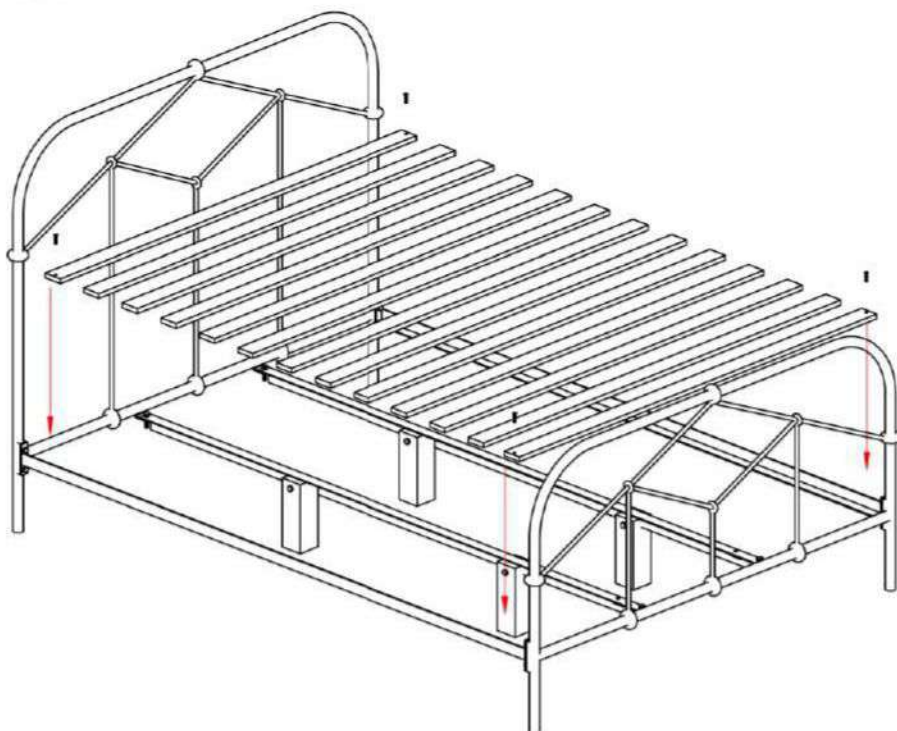
Assembly Instruction  
Product Description:

KING Bed

3

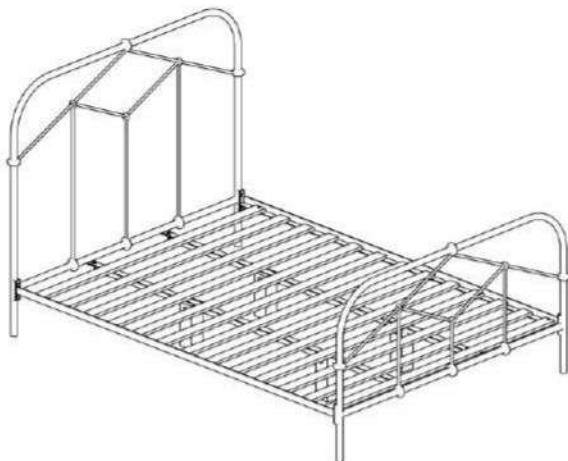
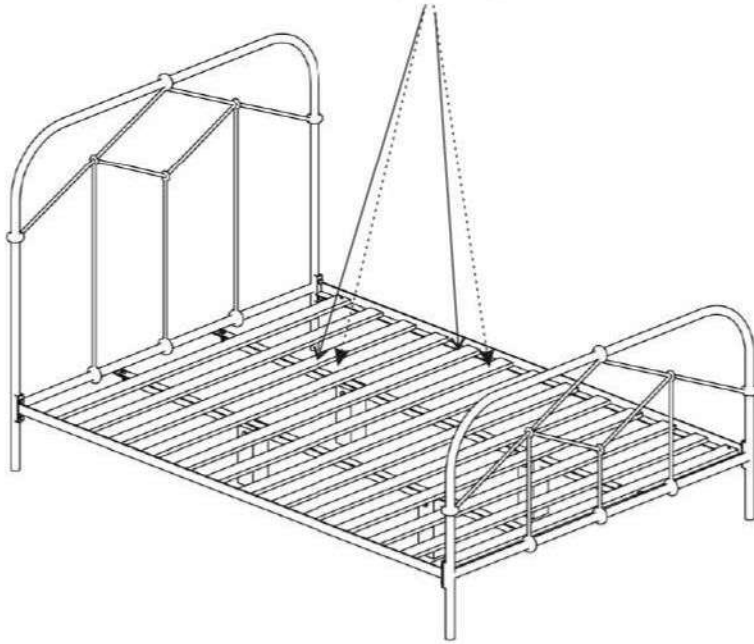
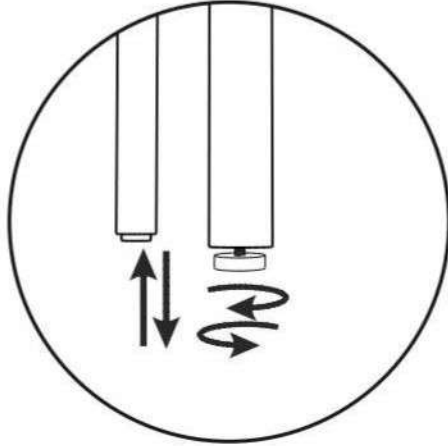


4



5

**Level Adjustment** - In case any Unalinedment , use levelars to adjust the balance of the item.



ASSEMBLED PRODUCT