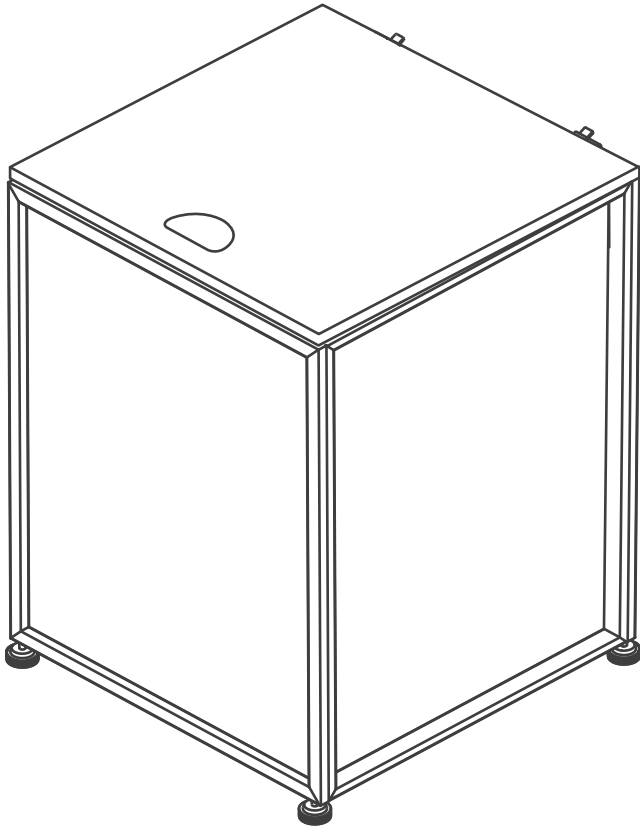
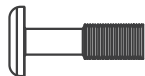


# User Manual

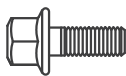


## Propane Tank Cover Table

# Hardware



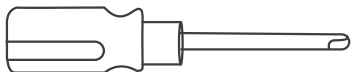
A. Screw(M6X30mm)\*2



B. Screw(M6X10mm)\*18



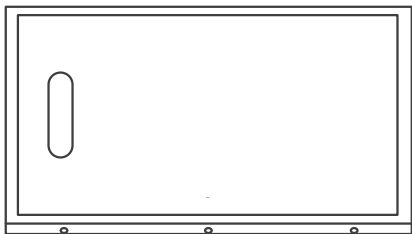
D. Foot Pad\*4



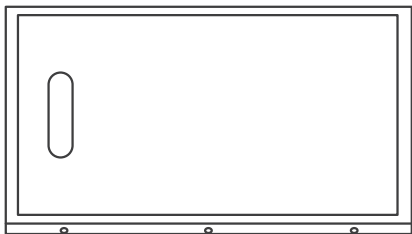
E. Screwdriver\*1



F. Spanner\*1



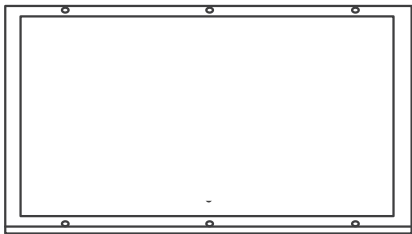
G. Side Panel\*1



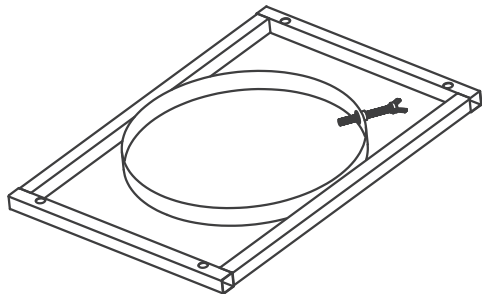
H. Side Panel\*1



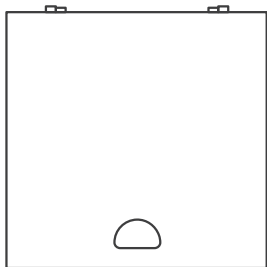
I. Side Panel\*1



J. Side Panel\*1



K. Tank Holder\*1

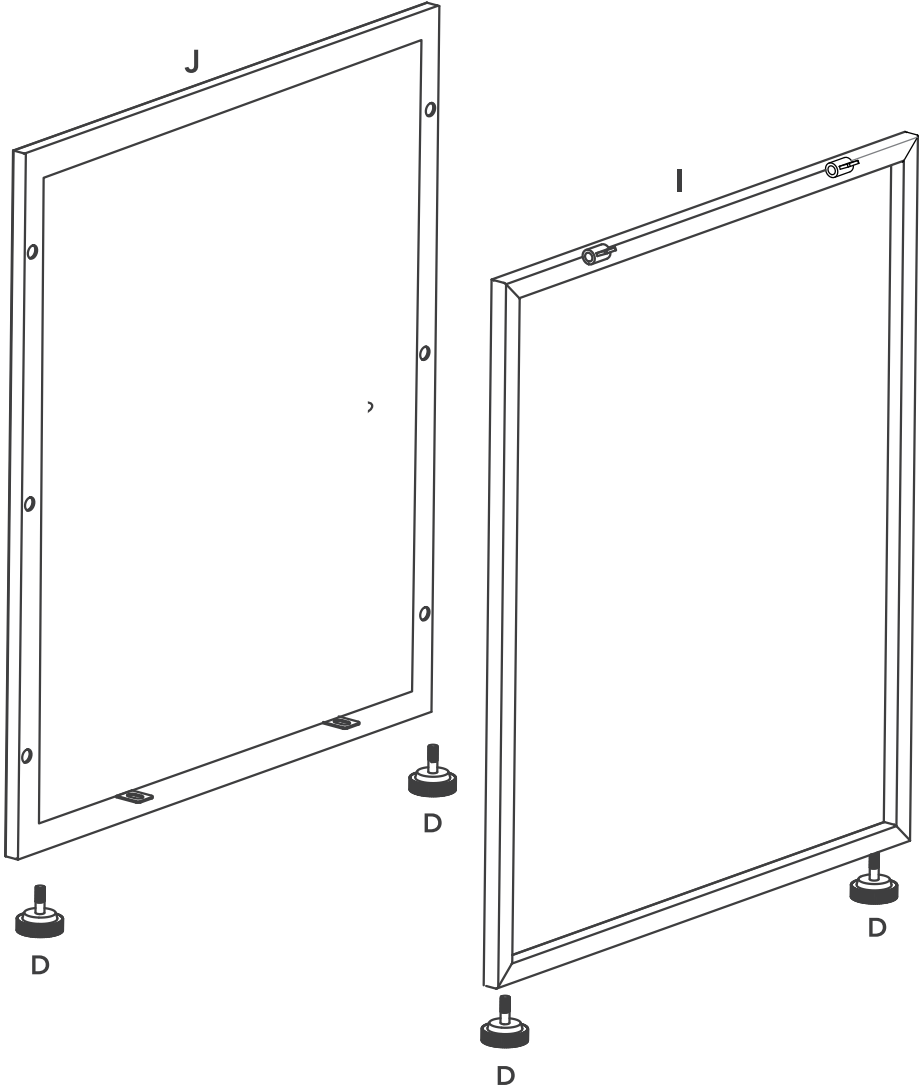


L. Table Lid\*1

# Assembly Instructions

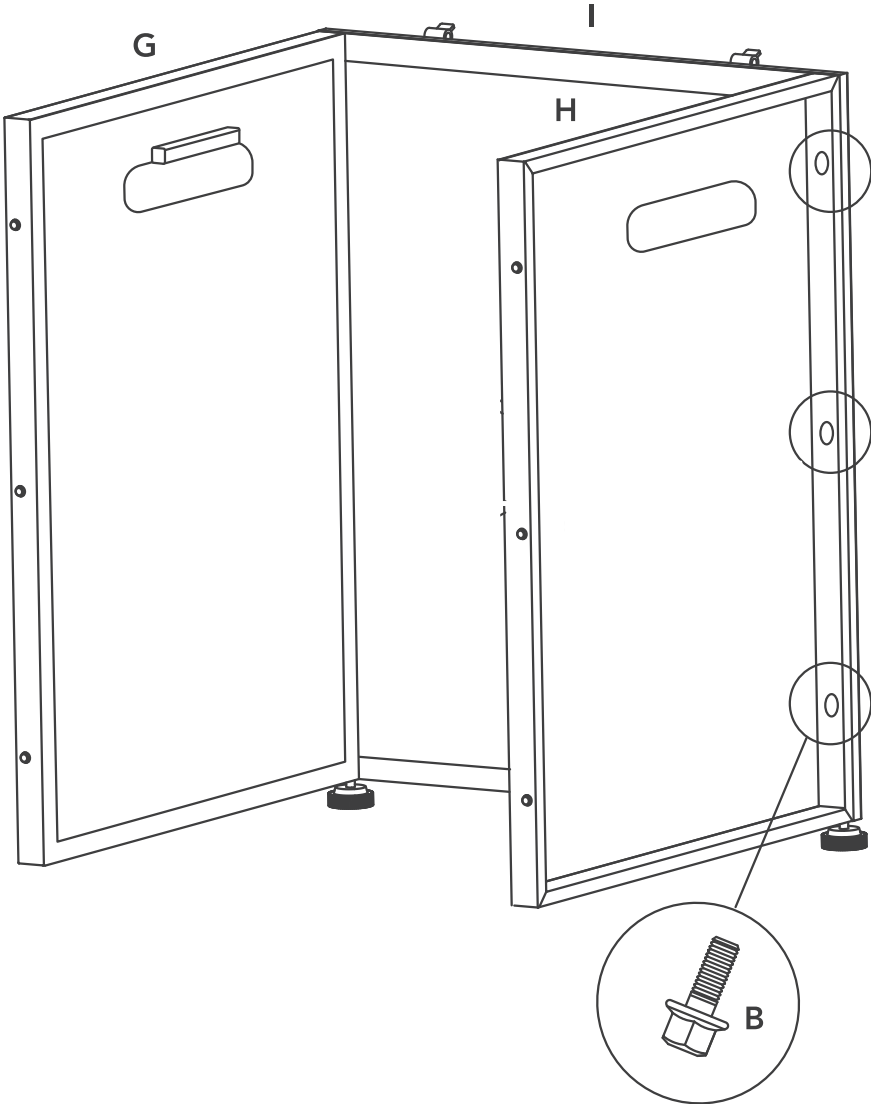
## Step 1

Firstly, install the four foot pads on the panel (I) and panel (J) .



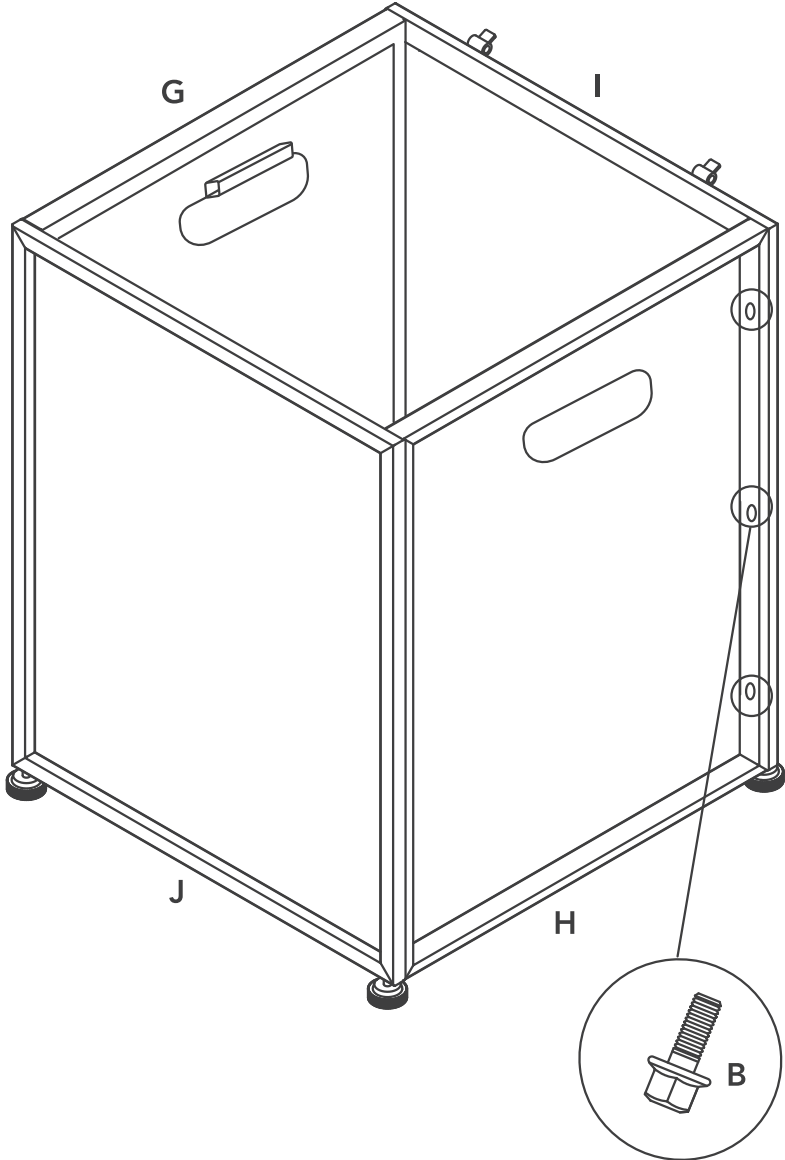
**Step 2**

Connect the panel (G) and panel (H) to the panel (I) using 6 screws of type (B) and screwdriver.



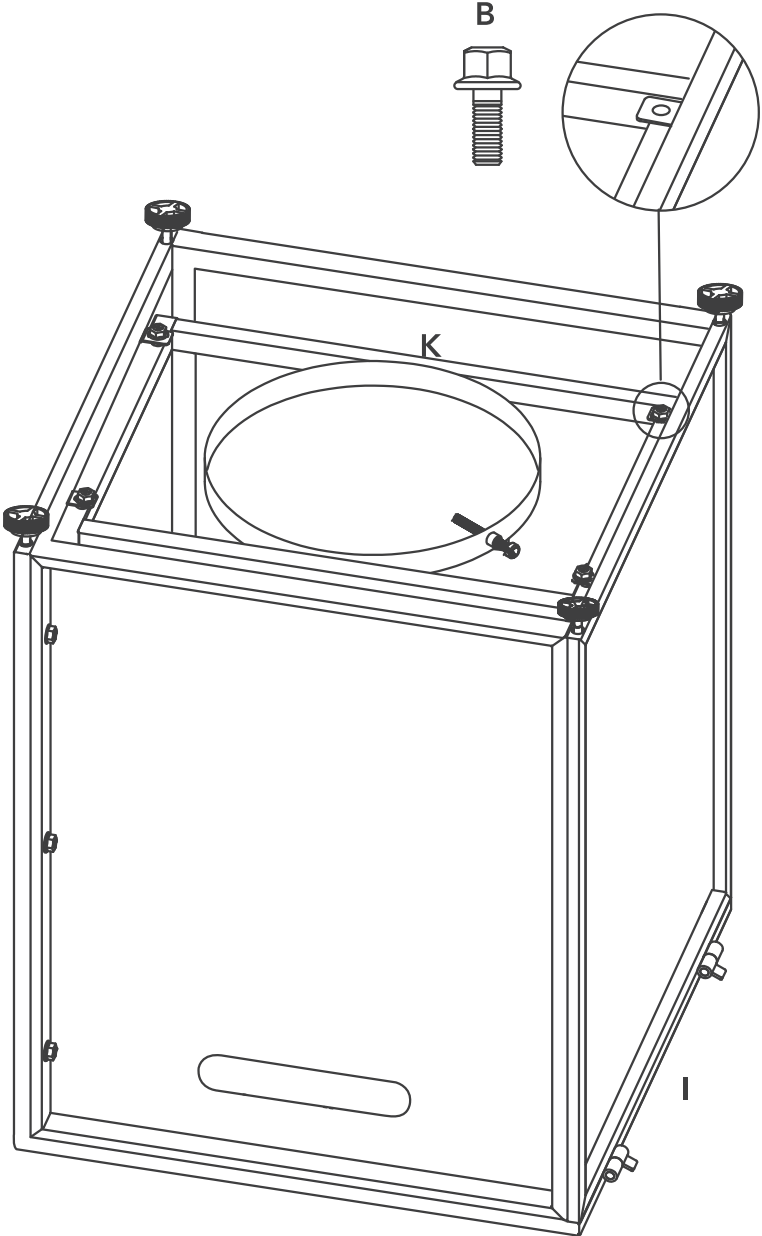
### Step 3

Connect the panel (J) to the panel (G) and panel (H) using 6 screws of type (B) and screwdriver.



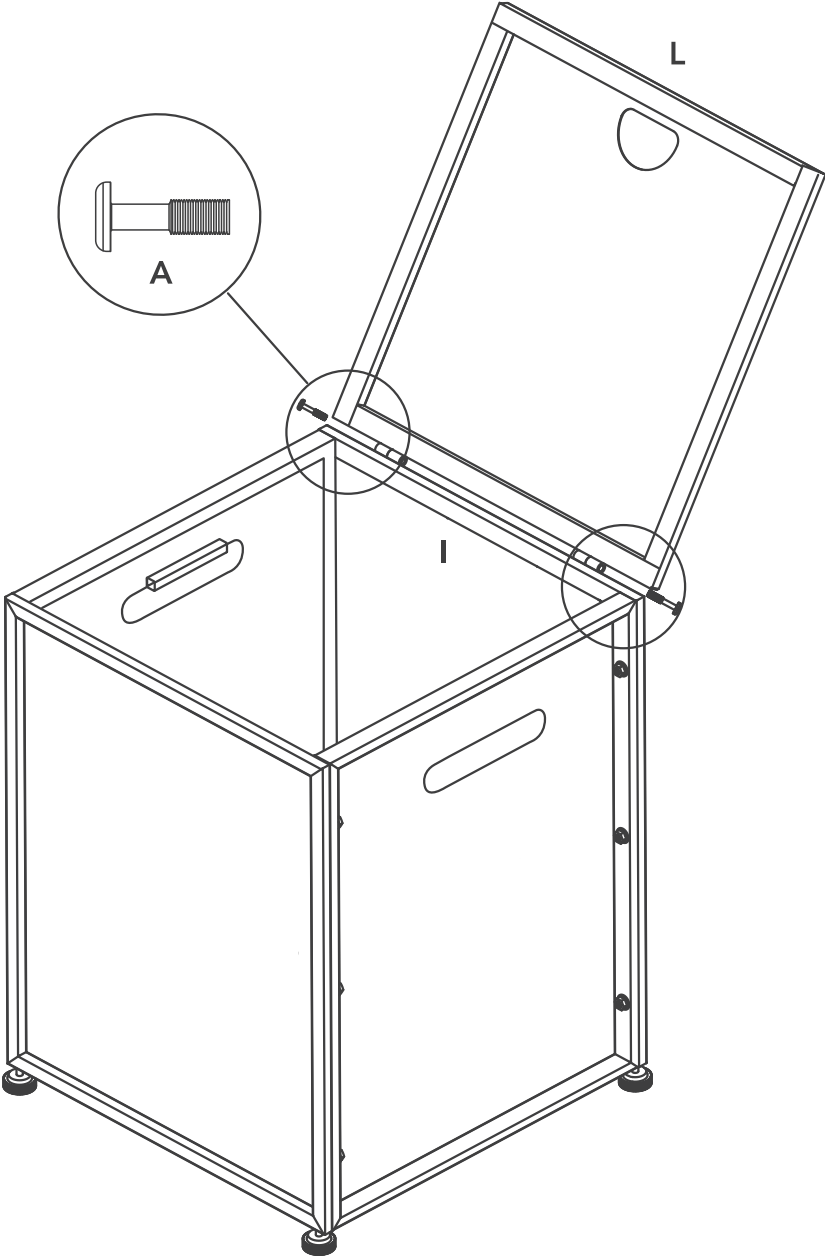
### Step 4

Connect the metal bracket (K) to the bottom of the cover table using 4 screws of type (B) and a screwdriver.



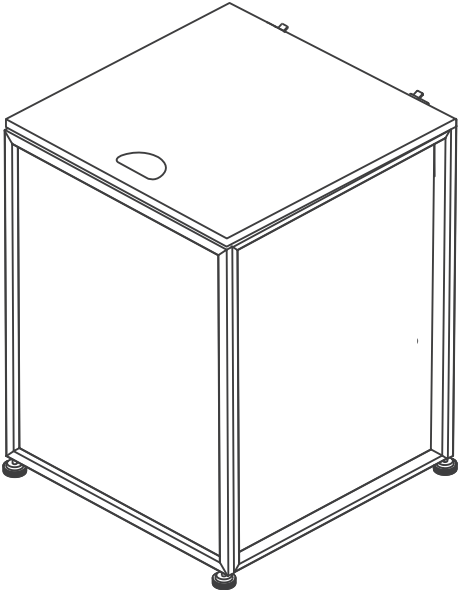
**Step 5**

Connect the panel (L) to the panel (I) using 2 screws of type (A) and a screwdriver.



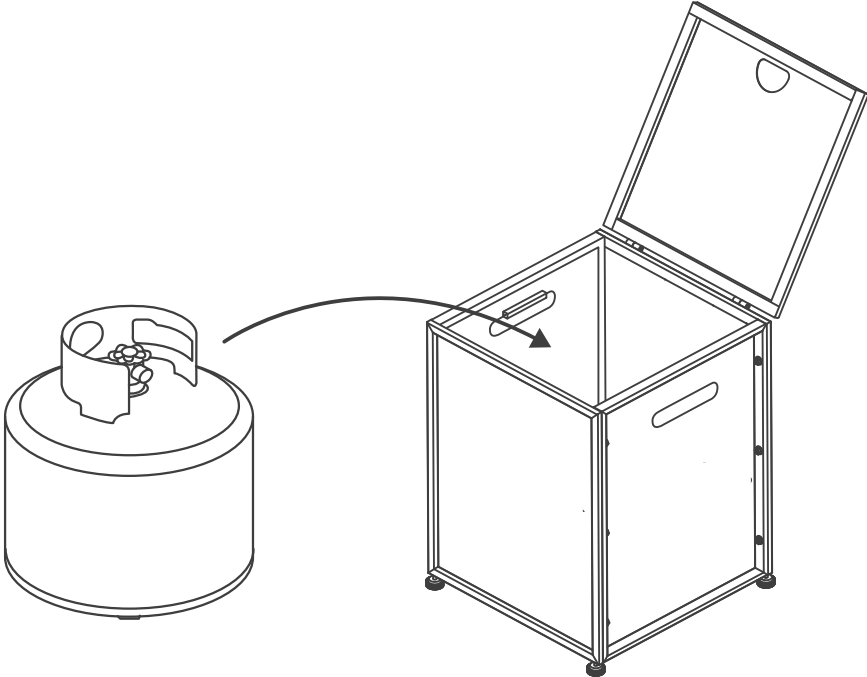
**Step 6**

After all the screws are tightened, you can start the usage!



**Step 7**

Put in a 20 lbs propane gas tank and screw the wing screw to secure the gas tank.



# Your Warranty Includes

## **30 Days Money Back Guaranty**

Within the first 30 days of your purchase, you are allowed to return your product for a full refund.

## **30 Days to 3 Months**

We will replace the defective unit due to manufacturer fault with a new one.

## **3 Months to 24 Months**

Within 24 months, we will provide timely and effective online after-sales service after your purchase.



MADE IN CHINA

材质：105g 铜版纸

尺寸：148\*210mm

装订方式：骑马钉

印刷颜色：黑白

封面背面留白