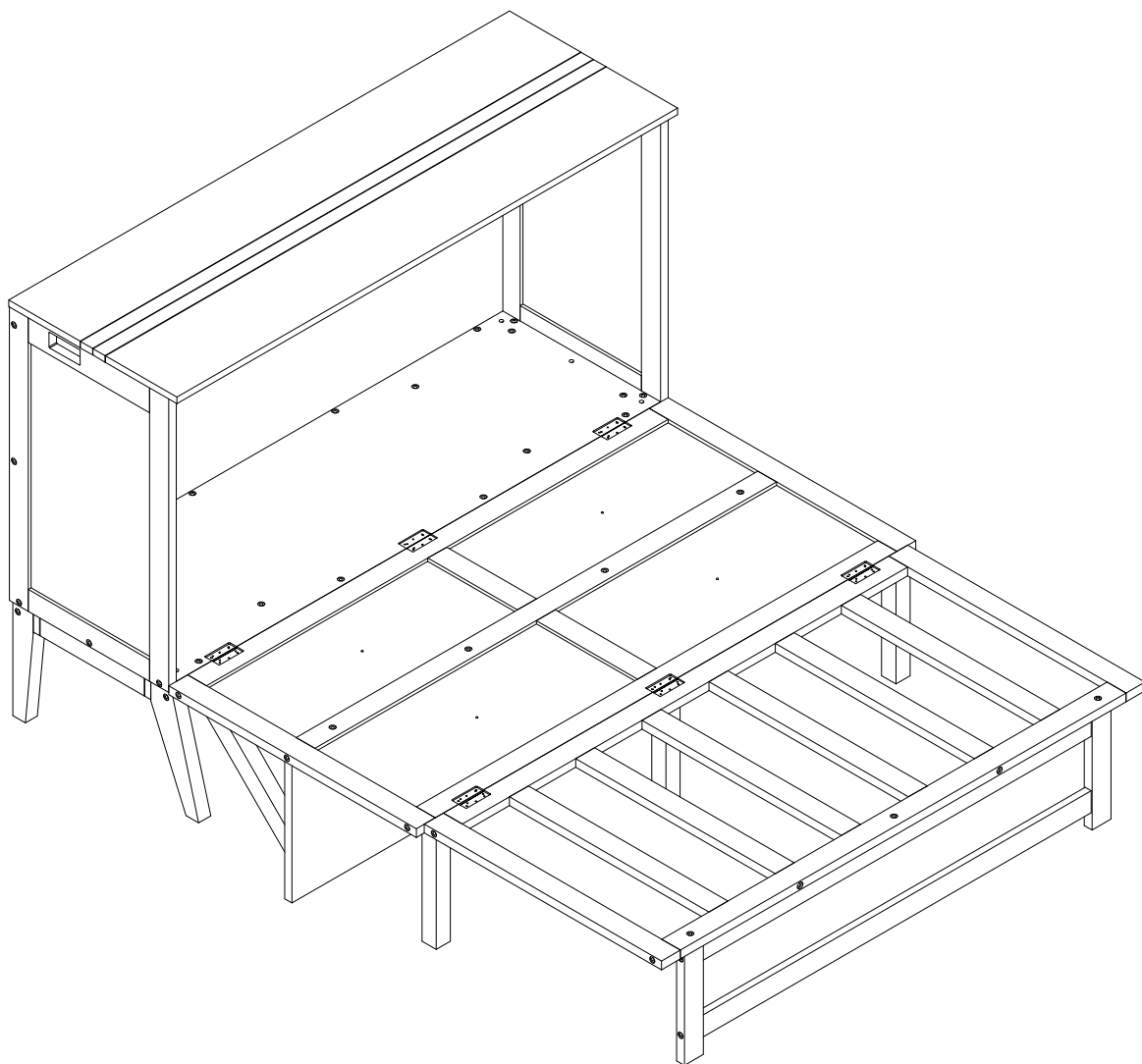


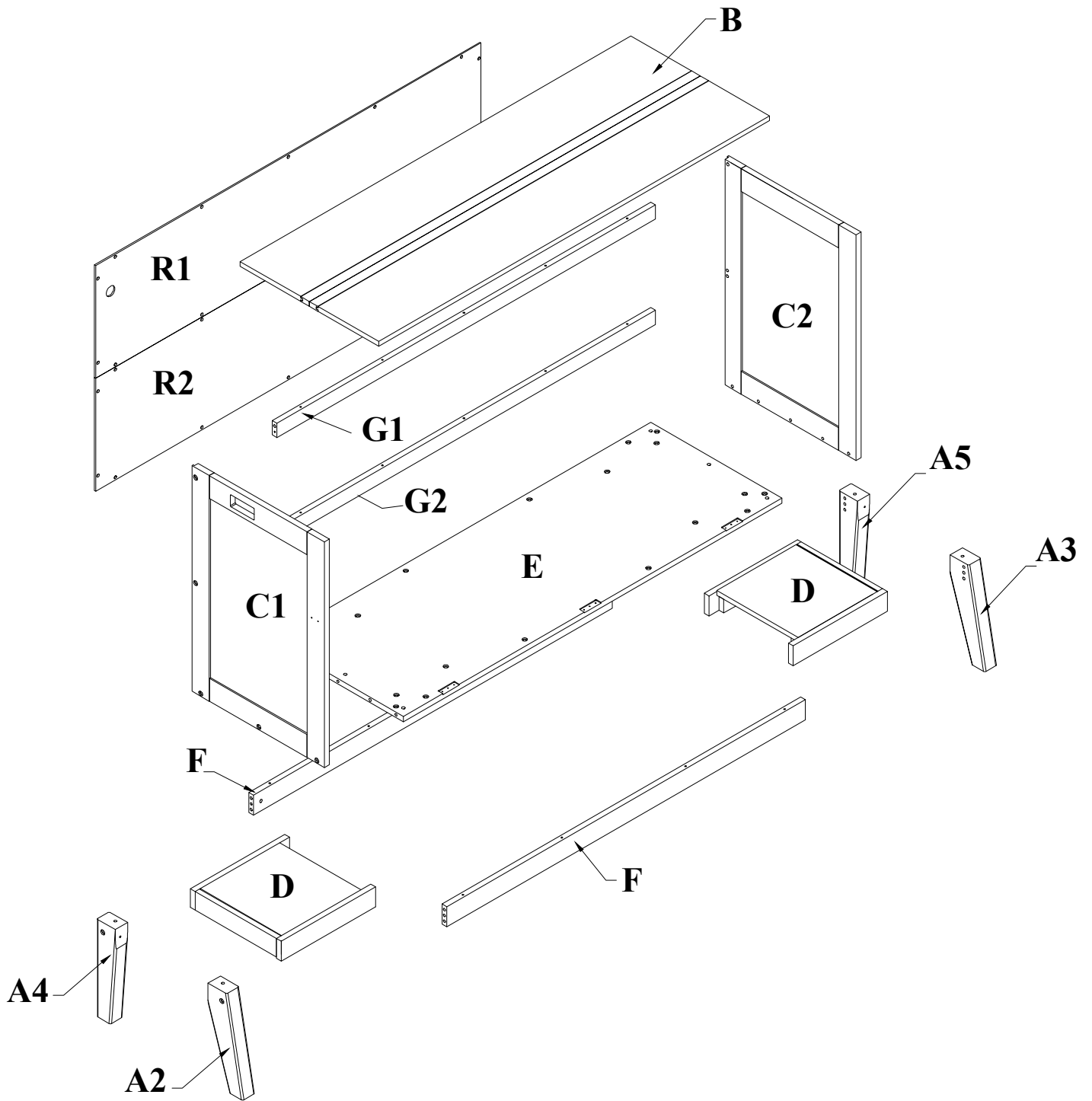
ASSEMBLY INTRUCTIONS

SKU CODE: (SD33007)

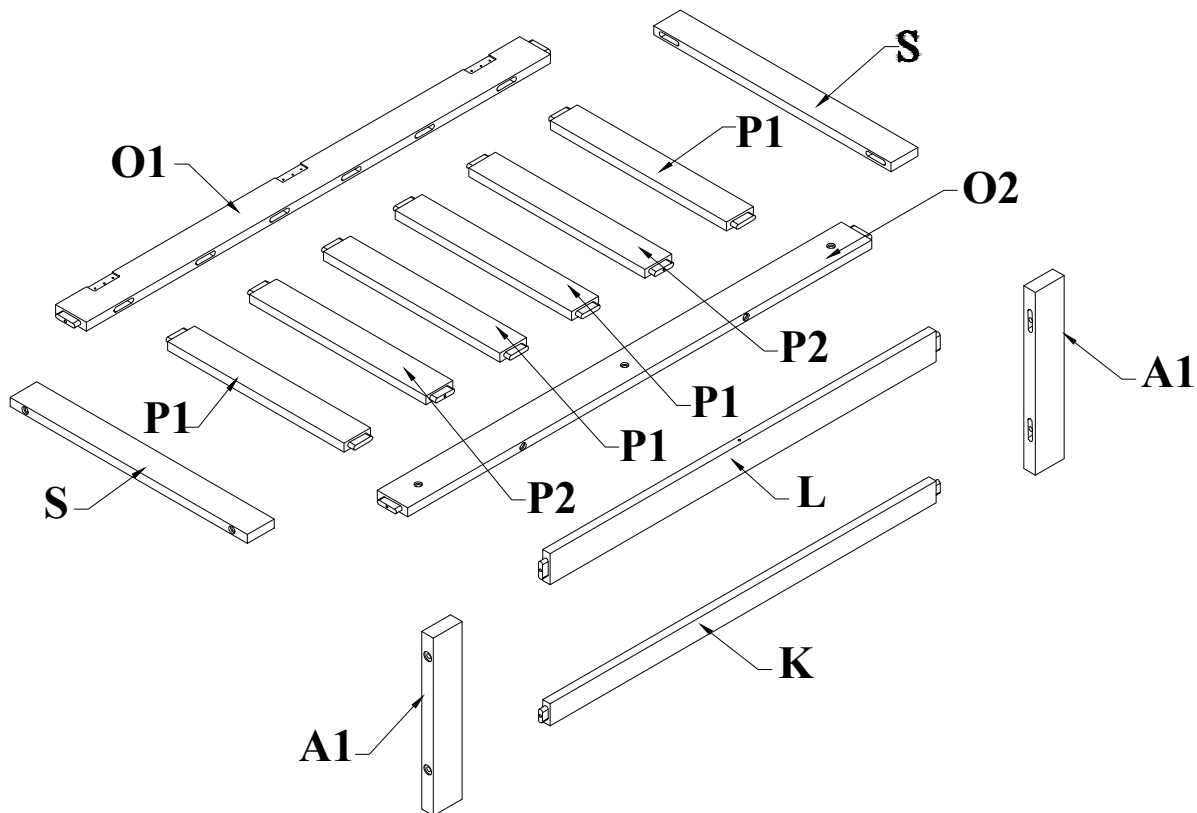
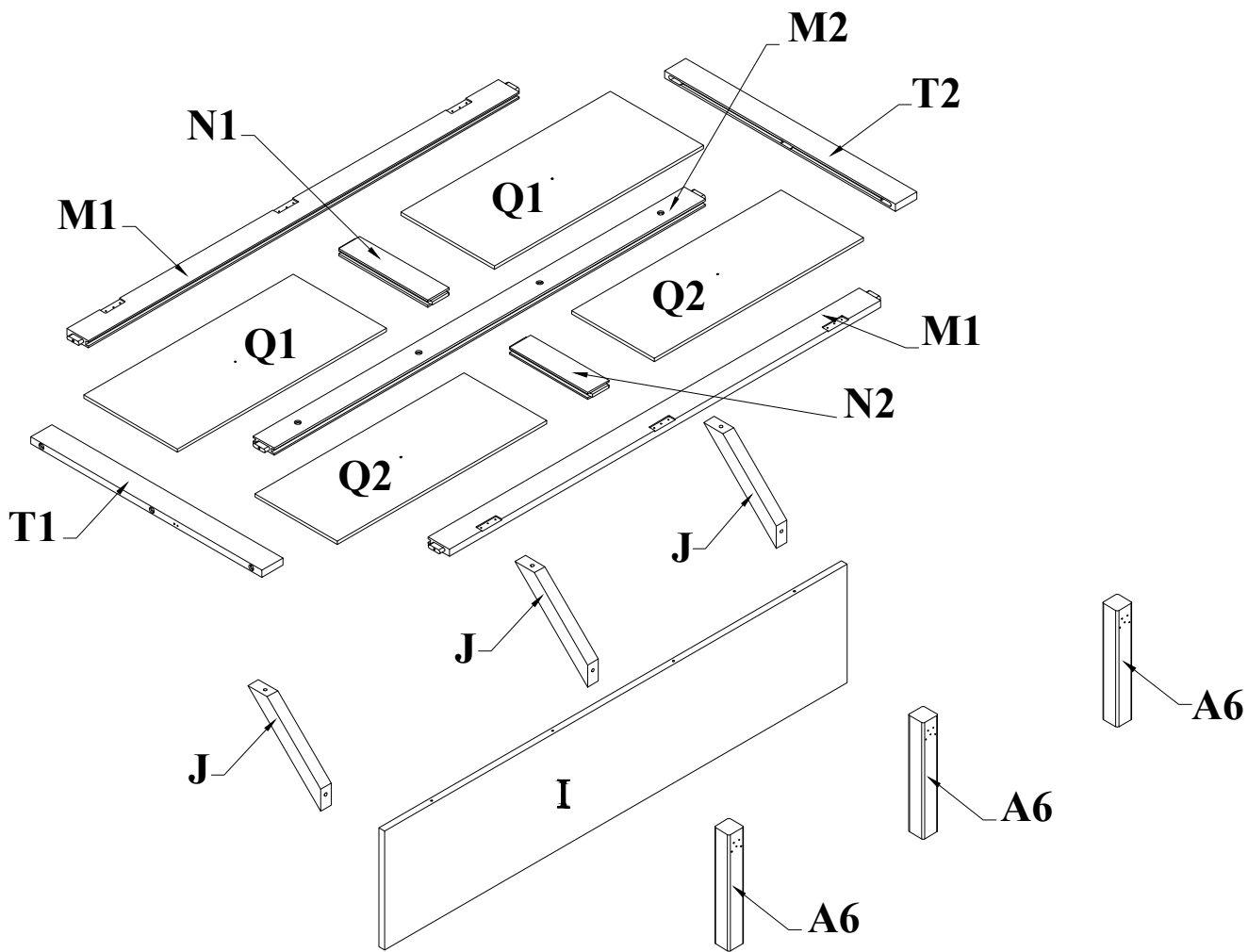
ITEM NAME: QUEEN MURPHY BED
WITH USB



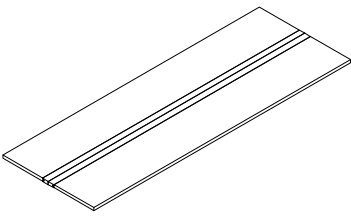
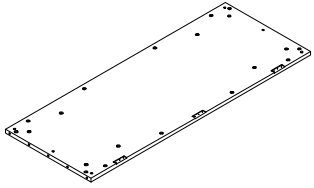
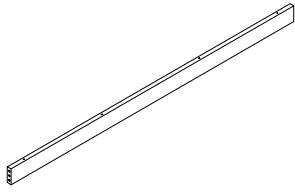
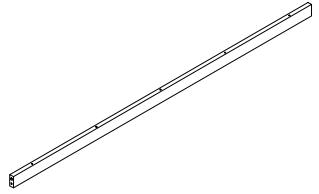
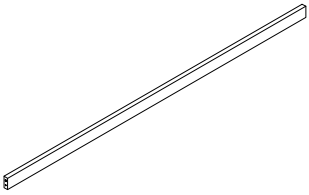
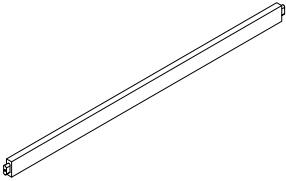
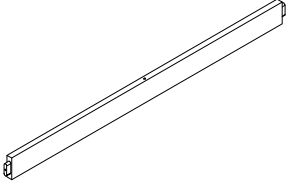
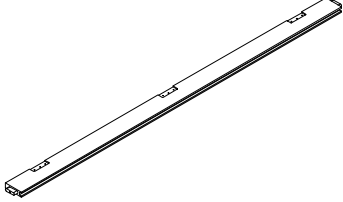
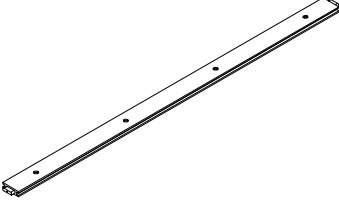
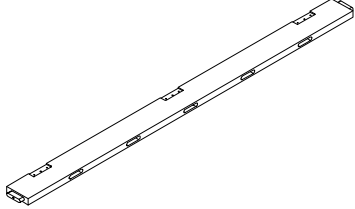
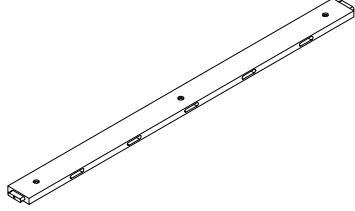
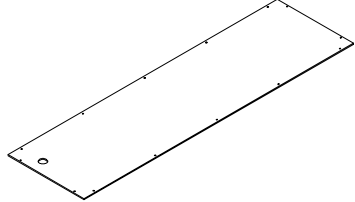
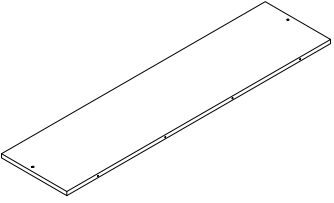
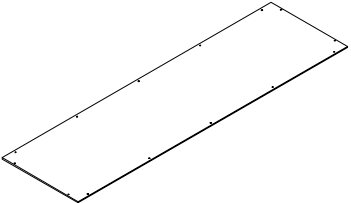
DETAIL VIEW




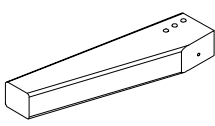
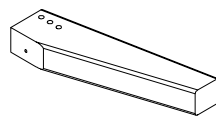
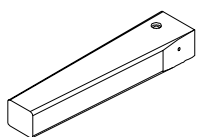
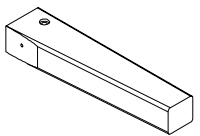
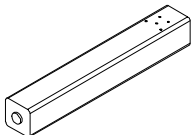
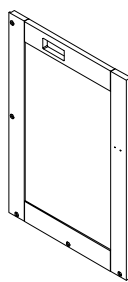
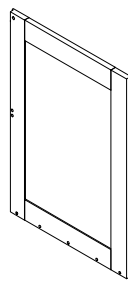
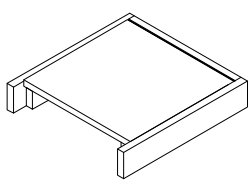
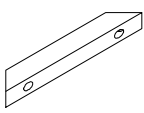
DETAIL VIEW



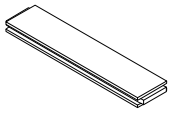
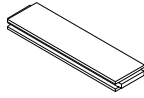
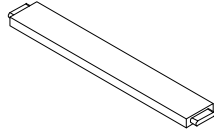
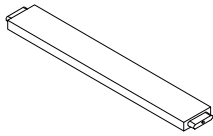
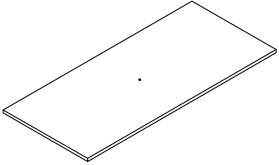
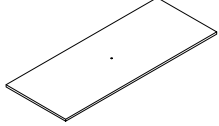
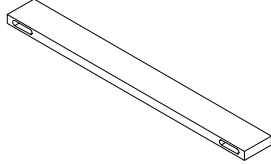
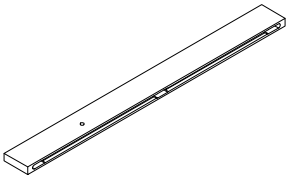
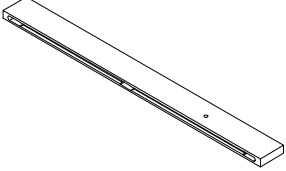
BOX:1

<p>B</p>  <p>Top panel (1pc)</p>	<p>E</p>  <p>Bottom panel (1pc)</p>	<p>F</p>  <p>bottom-Support (2pcs)</p>	<p>G1</p>  <p>Back rail (1pc)</p>
<p>G2</p>  <p>Back rail (1pc)</p>	<p>K</p>  <p>Bottom - Support rail (1pc)</p>	<p>L</p>  <p>Upper - Support rail (1pc)</p>	<p>M1</p>  <p>Horizontal rail 1 (2pcs)</p>
<p>M2</p>  <p>Horizontal rail 2 (1pc)</p>	<p>O1</p>  <p>Horizontal rail 3 (1pc)</p>	<p>O2</p>  <p>Horizontal rail 4 (1pc)</p>	<p>R1</p>  <p>Back panel - top (1pc)</p>
<p>I</p>  <p>Desk-Top (1pc)</p>	<p>R2</p>  <p>Back panel - bottom (1pc)</p>		

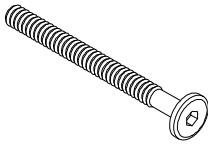

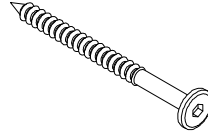
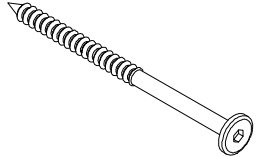
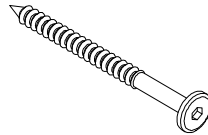
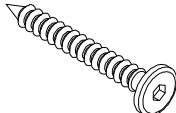
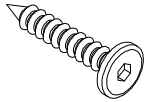
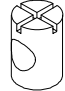
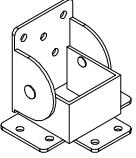
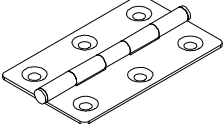
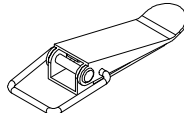

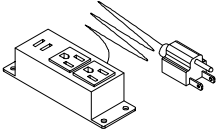
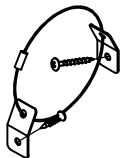
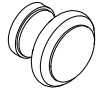
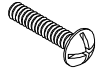
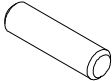
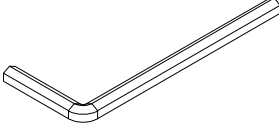
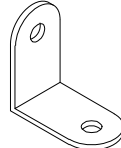



BOX:2

<p>A1</p>  <p>Front leg (2pcs)</p>	<p>A2</p>  <p>Middle leg - left (1pc)</p>	<p>A3</p>  <p>Middle leg - right (1pc)</p>	<p>A4</p>  <p>Back leg - left (1pc)</p>
<p>A5</p>  <p>Back leg - right (1pcs)</p>	<p>A6</p>  <p>Center Support legs (3pcs)</p>	<p>C1</p>  <p>Side frame - left (1pc)</p>	<p>C2</p>  <p>Side frame - right (1pc)</p>
<p>D</p>  <p>Table - top (2pcs)</p>	<p>J</p>  <p>Angle - Support (3pcs)</p>		

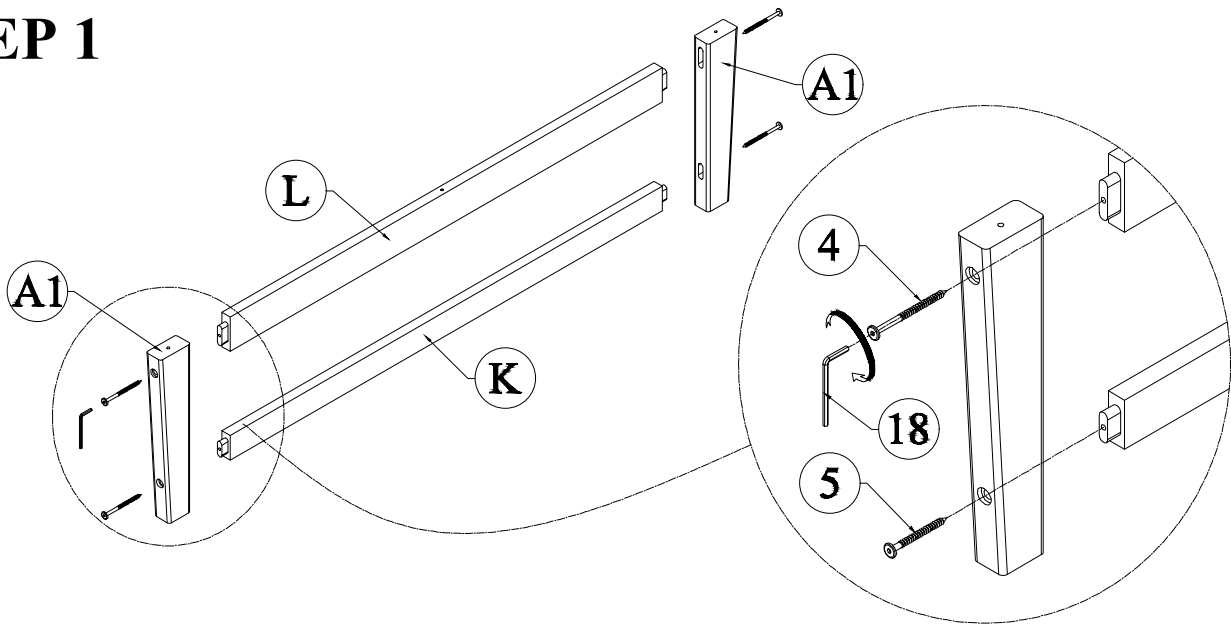
BOX:2

<p>N1</p>  <p>Verical rail - long (1pc)</p>	<p>N2</p>  <p>Verical rail - short (1pc)</p>	<p>P1</p>  <p>Verical bar 1 (4pcs)</p>	<p>P2</p>  <p>Verical bar 2 (2pcs)</p>
<p>Q1</p>  <p>Front panel - large (2pcs)</p>	<p>Q2</p>  <p>Front panel - small (2pcs)</p>	<p>S</p>  <p>Verical side rail1 1 (2pcs)</p>	<p>T1</p>  <p>Verical side rail 2 -left (1pc)</p>
<p>T2</p>  <p>Verical side rail 2- right (1pc)</p>			

HARDWARE LIST:BOX2

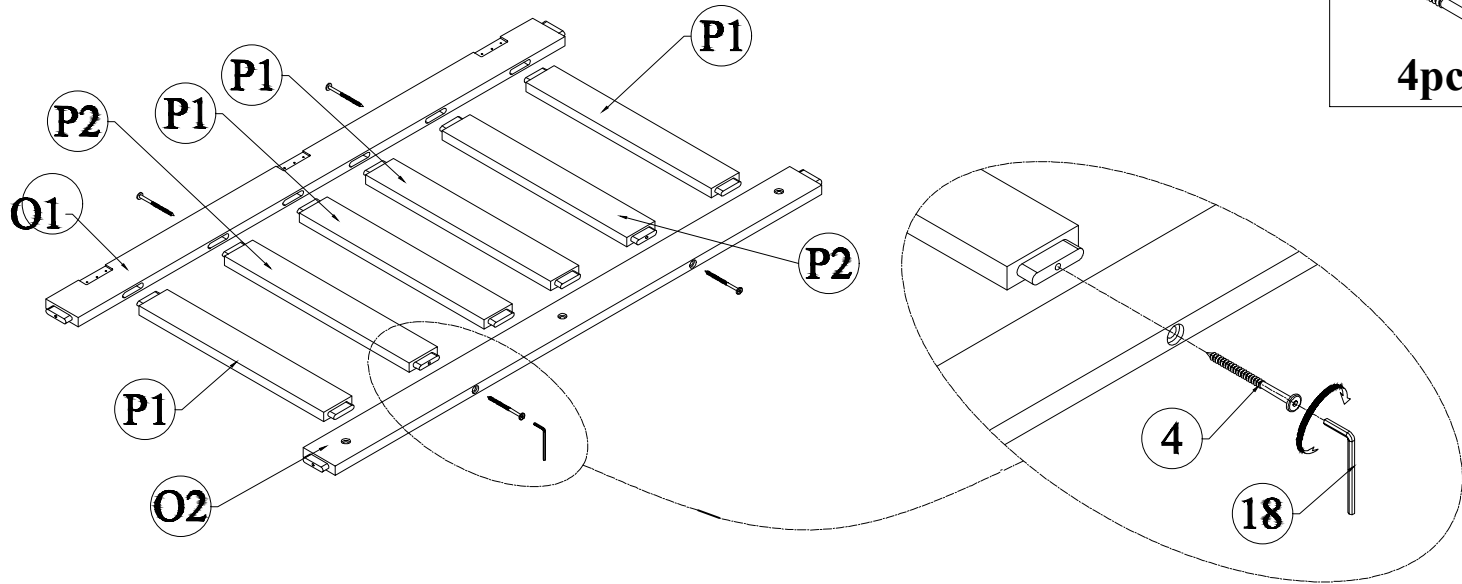
<p>1</p>  <p>Hex - Head bolts Ø1/4"*60 - 6pcs</p>	<p>2</p>  <p>Hex - Head bolts Ø1/4"*35 - 6pcs</p>	<p>3</p>  <p>Hex-Head screw Ø6"*70 - 4pcs</p>	<p>4</p>  <p>Hex-Head screw Ø6"*100 - 20pcs</p>
<p>5</p>  <p>Hex-Head screw Ø6"*80 - 2pcs</p>	<p>6</p>  <p>Hex-Head screw Ø6"*50 - 24pcs</p>	<p>7</p>  <p>Hex-Head screw Ø6"*40 - 3pcs</p>	<p>8</p>  <p>Horizontal - Hold bolts Ø1/4" - 6pcs</p>
<p>9</p>  <p>Foldable-bracket - 3pcs</p>	<p>10</p>  <p>Hinge - 6pcs</p>	<p>11</p>  <p>Duckbill lock A - 2pcs</p>	<p>12</p>  <p>Duckbill lock B - 2pcs</p>
<p>13</p>  <p>Power outlet - 1pc</p>	<p>14 Discovery</p>  <p>Anti - tip Kit - 2sets</p>	<p>15</p>  <p>Wooden-Knob - 4pcs</p>	<p>16</p>  <p>Pan-Head bolts Ø5/32" * 15 - 4pcs</p>
<p>17</p>  <p>Wooden dowel Ø8 * 30 - 20pcs</p>	<p>18</p>  <p>Allen key K4 - 1pc</p>	<p>19</p>  <p>Bracket - 6pcs</p>	<p>20</p>  <p>Wood crews M3.5 * 15 - 56pcs</p>
<p>21</p>  <p>Pan-Head screw M4*20 - 65pcs</p>	 <p>Assembly Tools Required (Not Included)</p>		

STEP 1



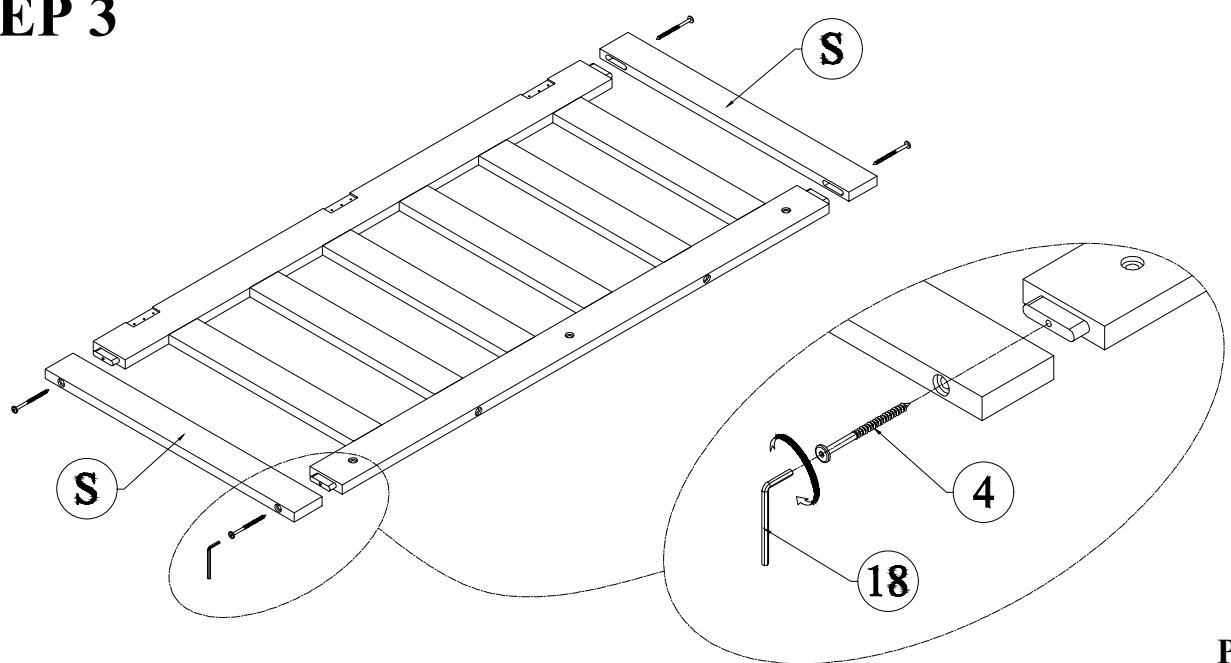
- 4**
2pcs
- 5**
2pcs

STEP 2



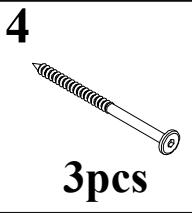
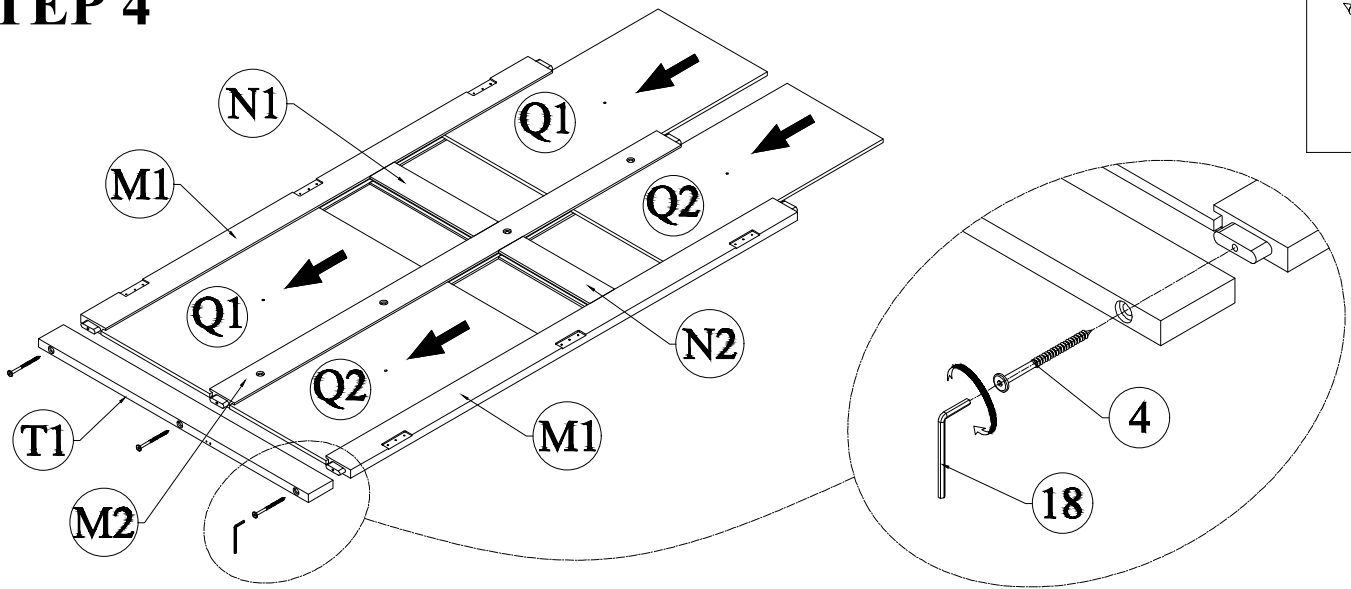
- 4**
4pcs

STEP 3

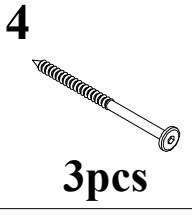
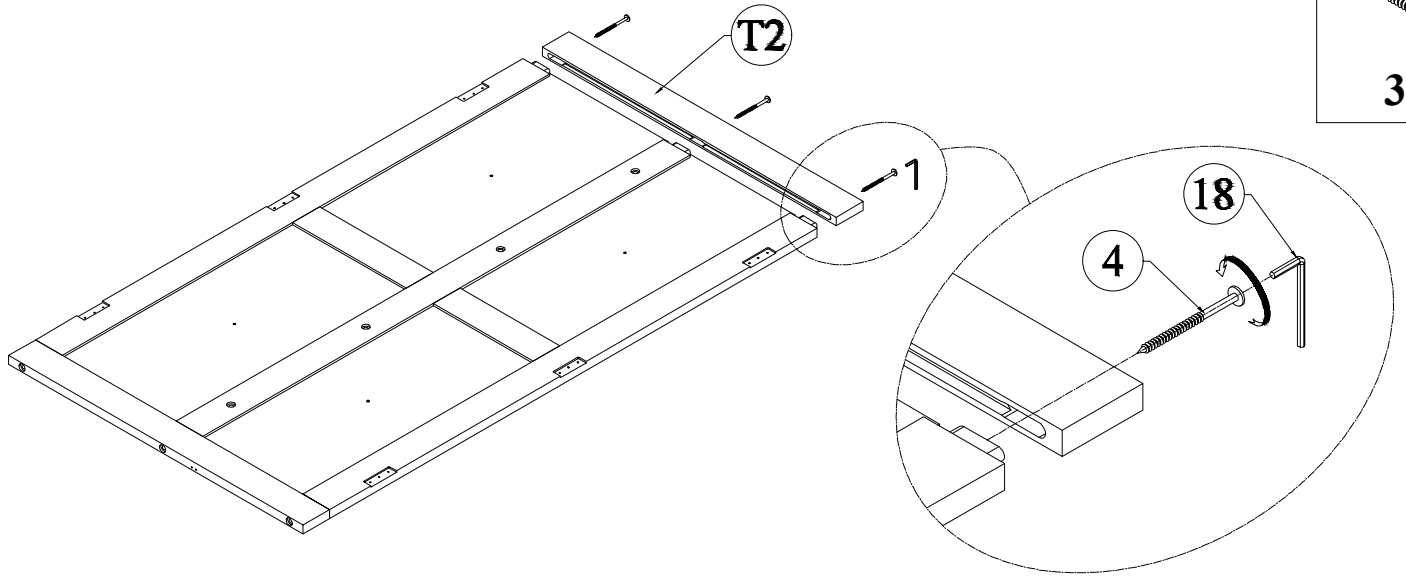


- 4**
4pcs

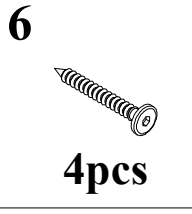
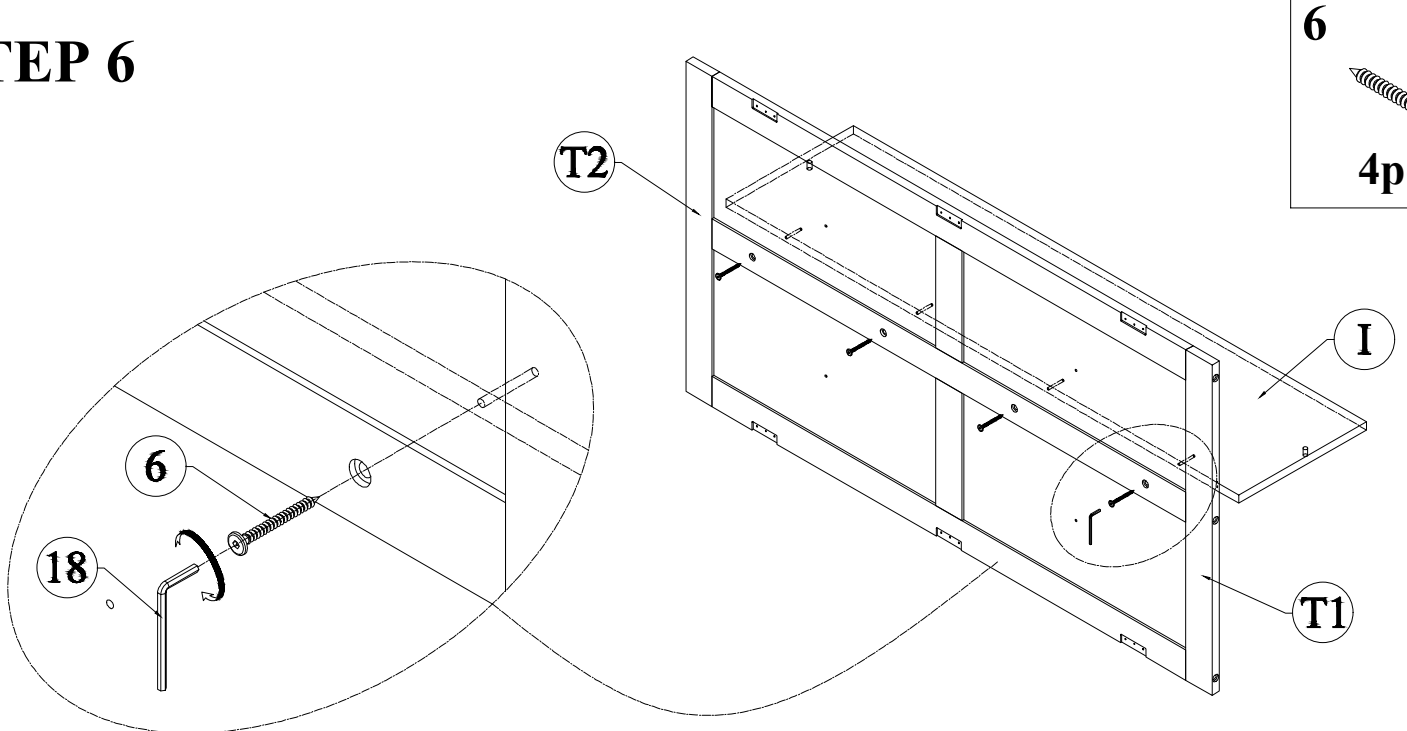
STEP 4



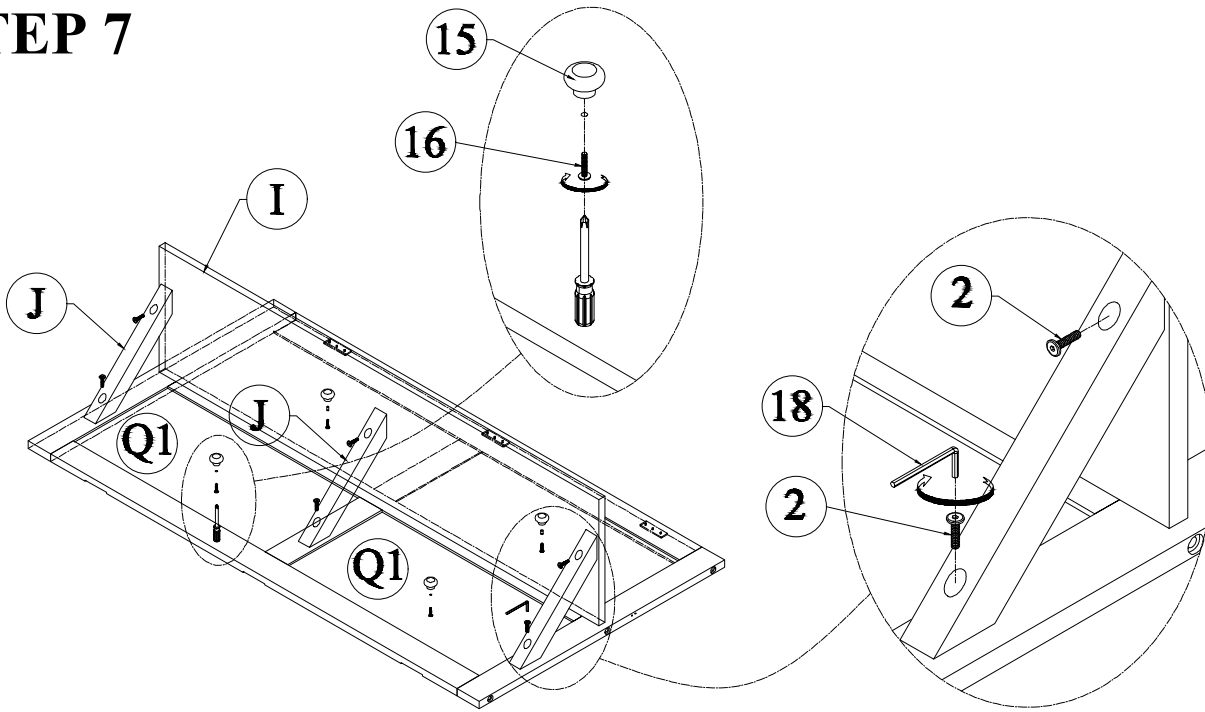
STEP 5




STEP 6




STEP 7



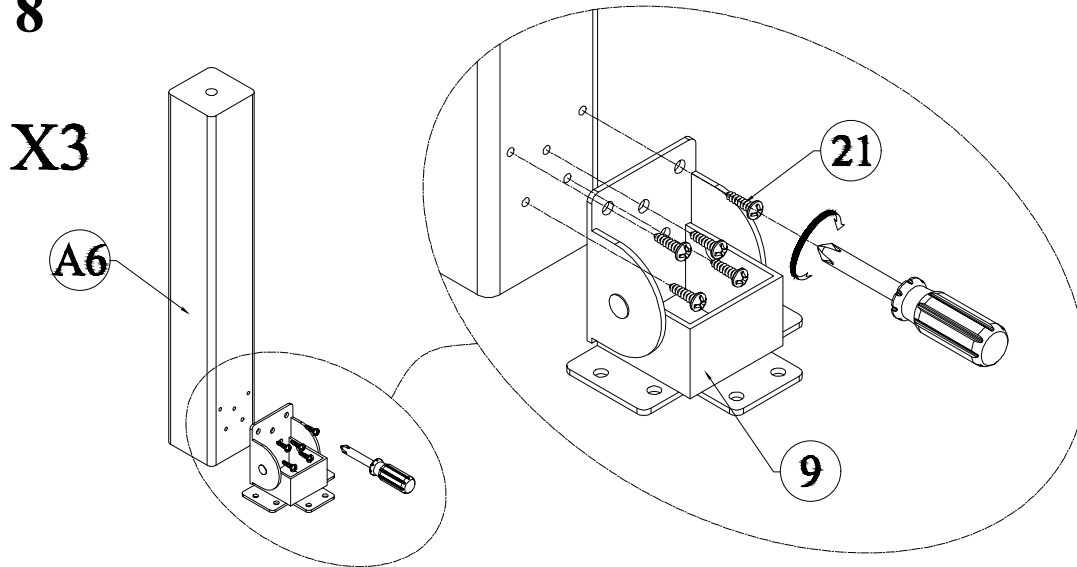
- 2**

6pcs

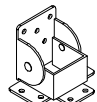
- 15**


4pcs

- 16**

4pcs

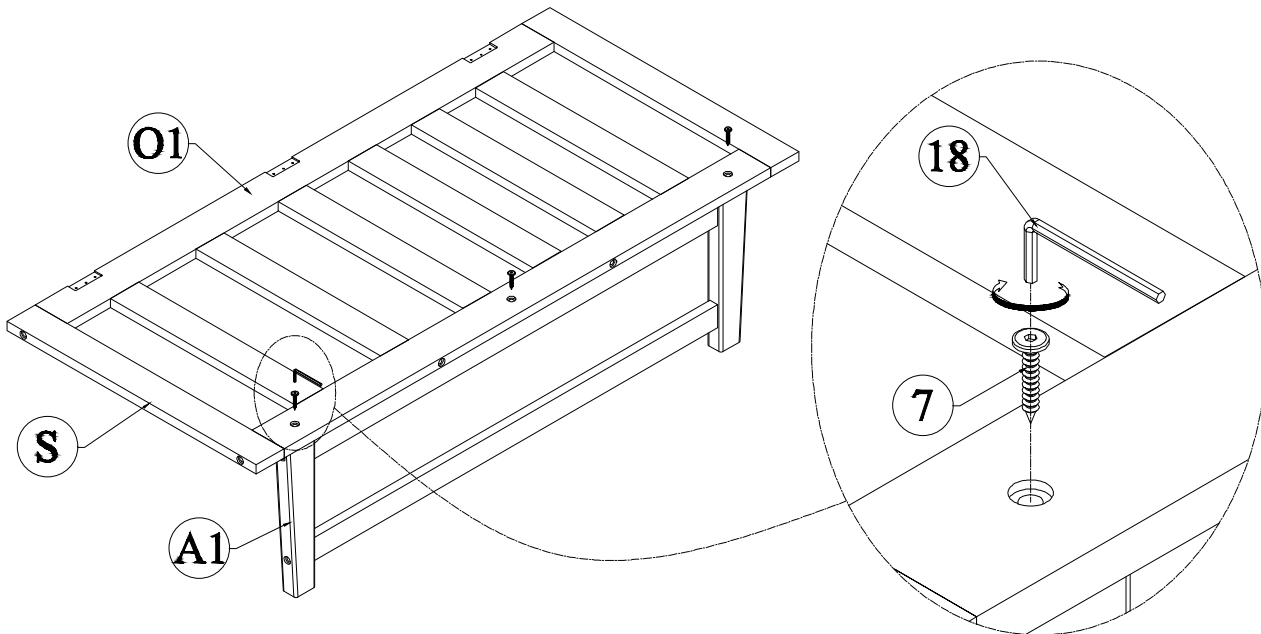
STEP 8




- 9**

3pcs

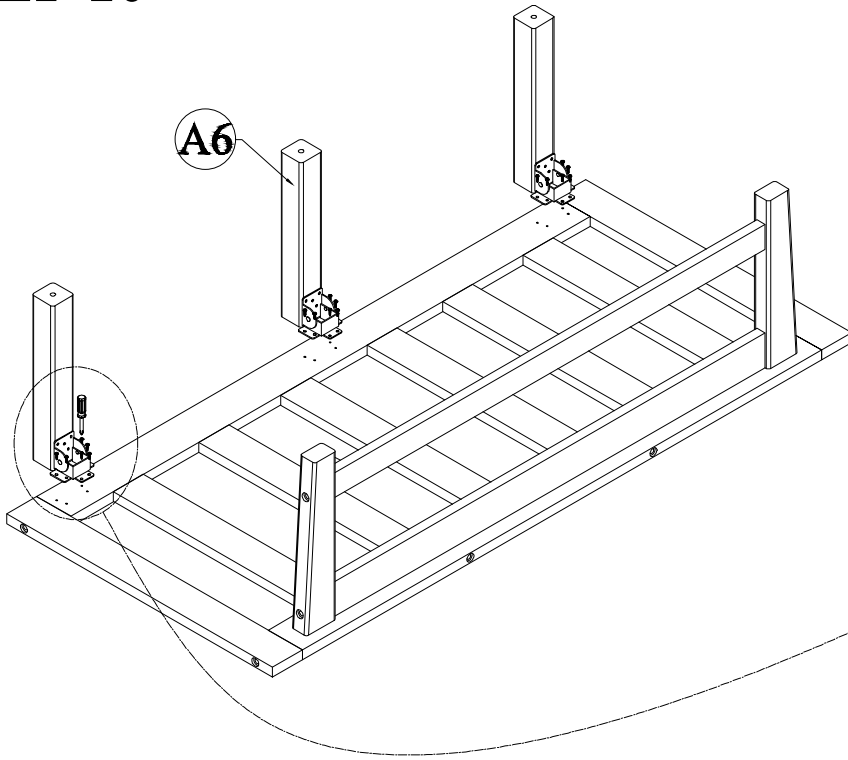
- 21**

15pcs

STEP 9



- 7**

3pcs

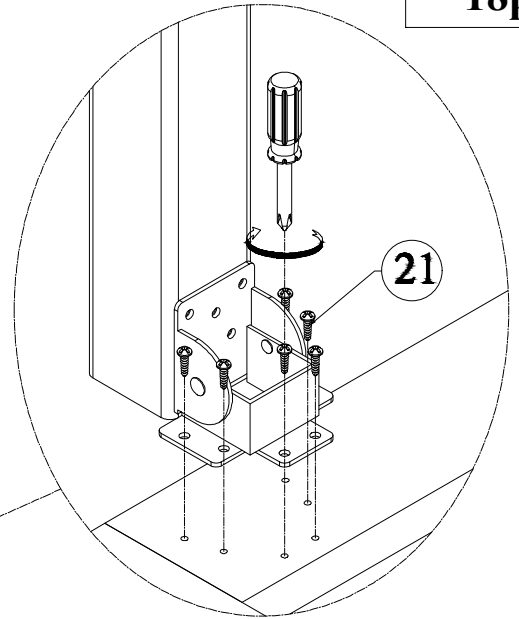
STEP 10



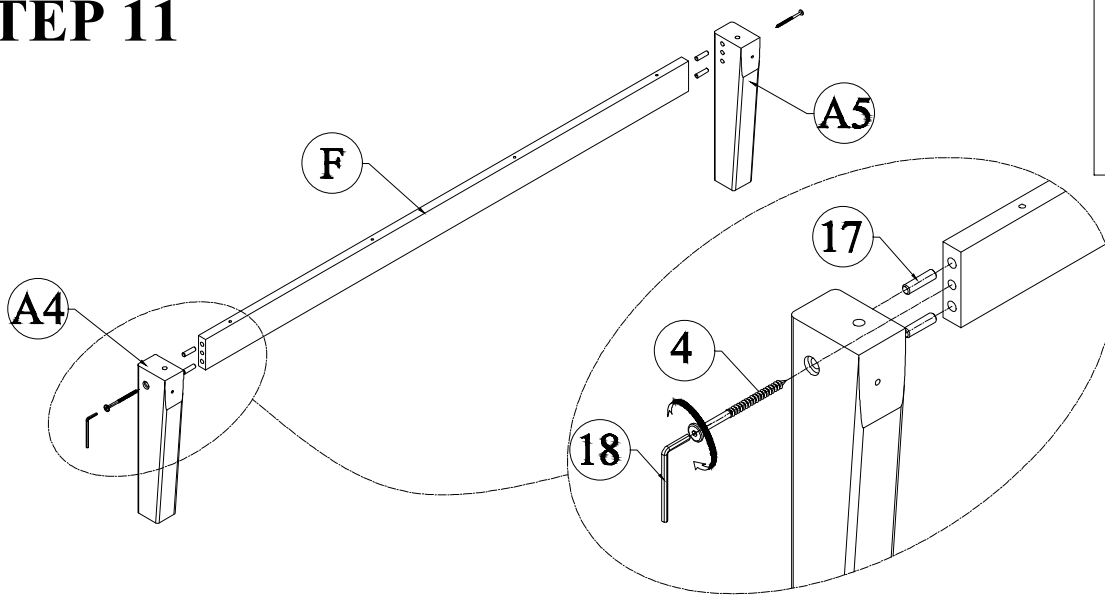
21



18pcs



STEP 11



4



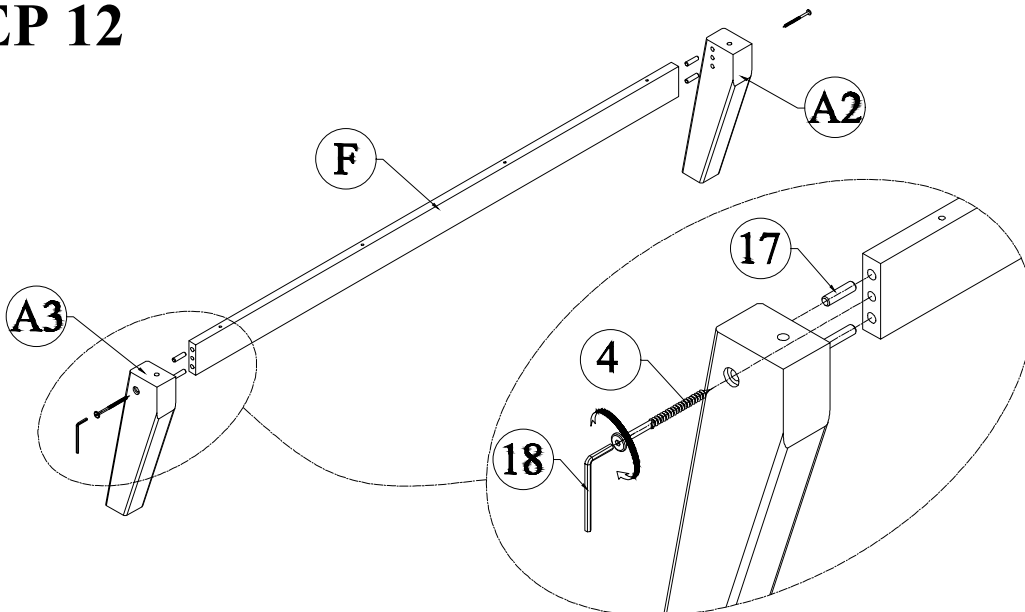
2pcs

17



4pcs

STEP 12



4



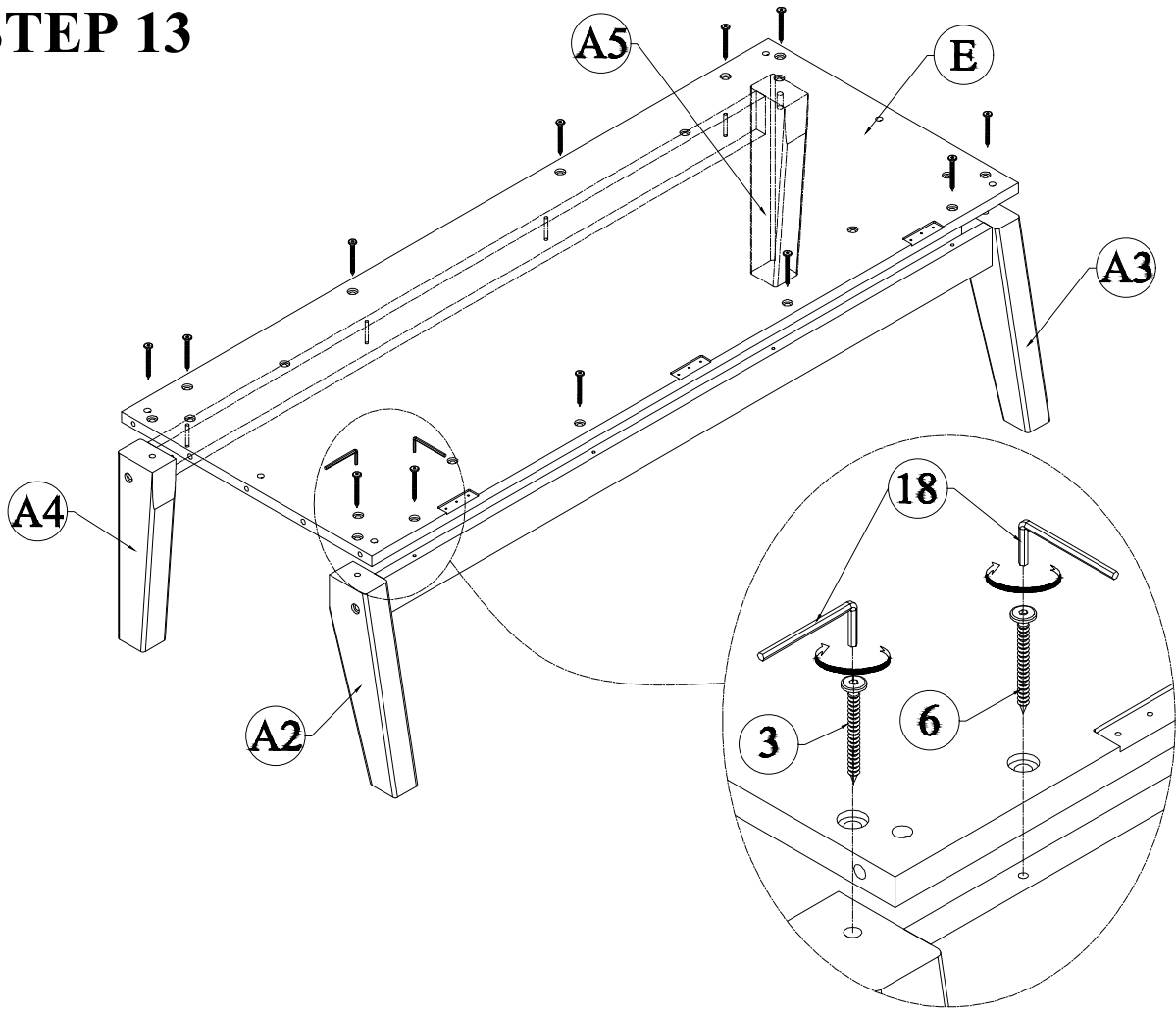
2pcs



17



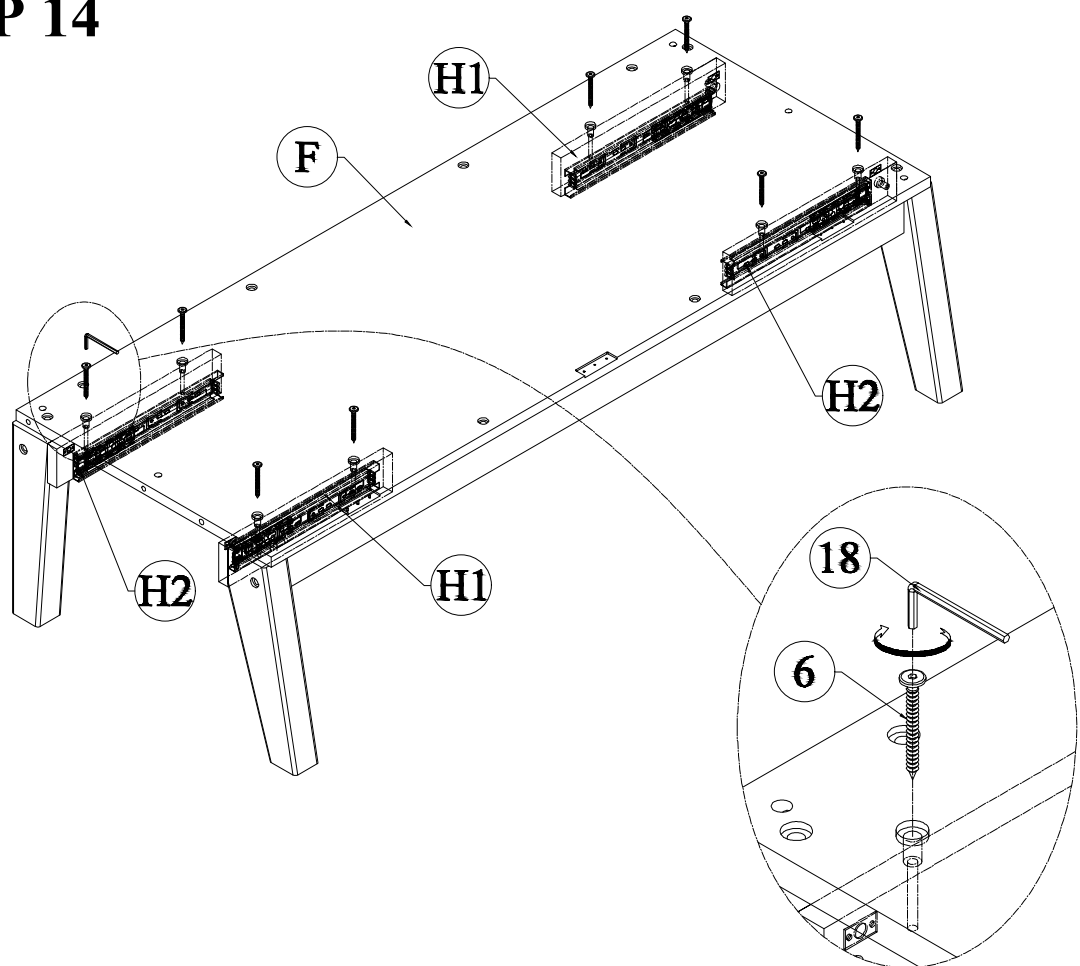
4pcs


STEP 13



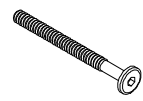
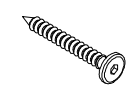

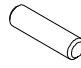
- 3**

4pcs
- 6**

8pcs

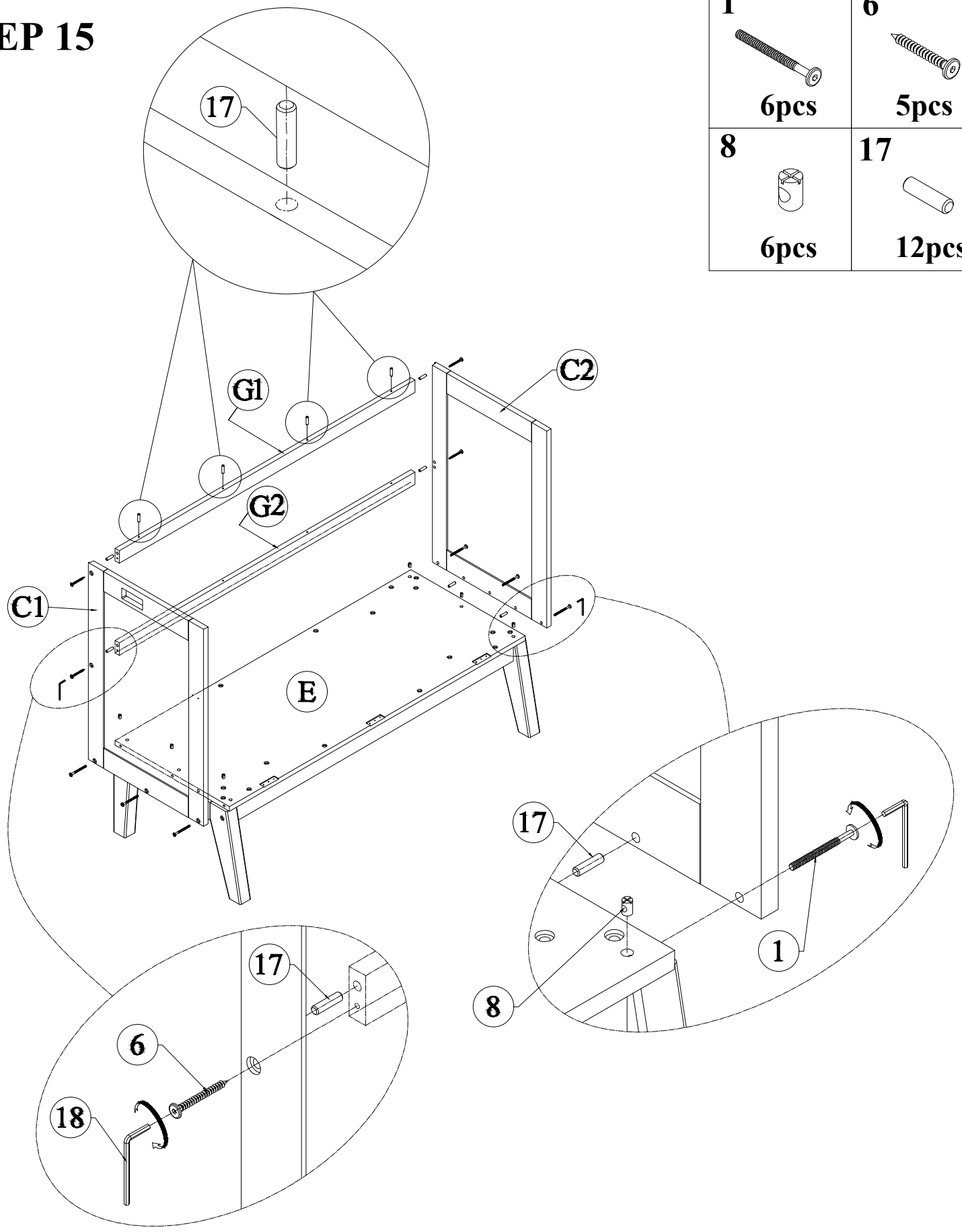
STEP 14



- 6**

8pcs

STEP 15

1  6pcs	6  5pcs
8  6pcs	17  12pcs



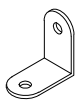
STEP 16

20

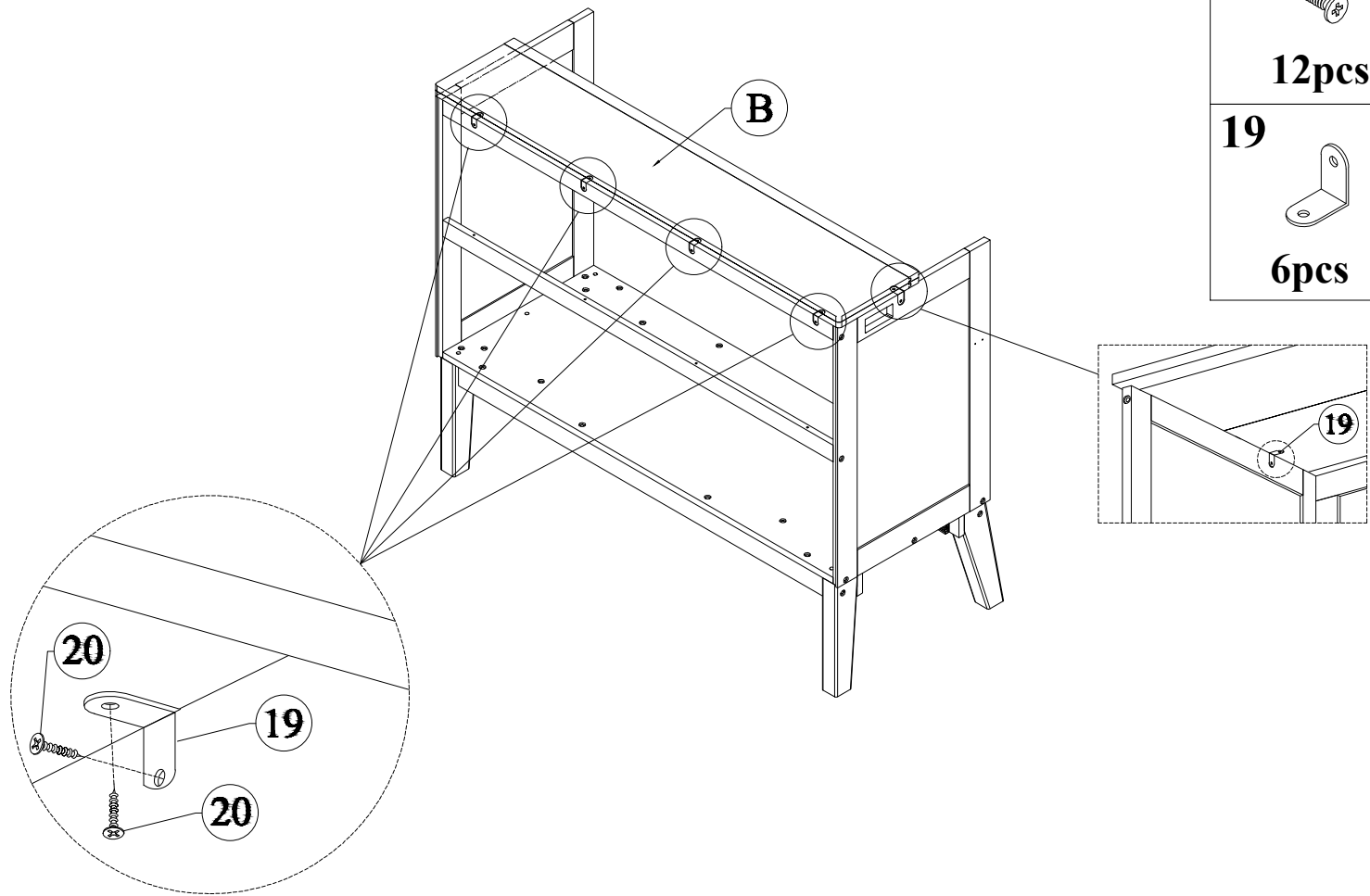


12pcs

19



6pcs

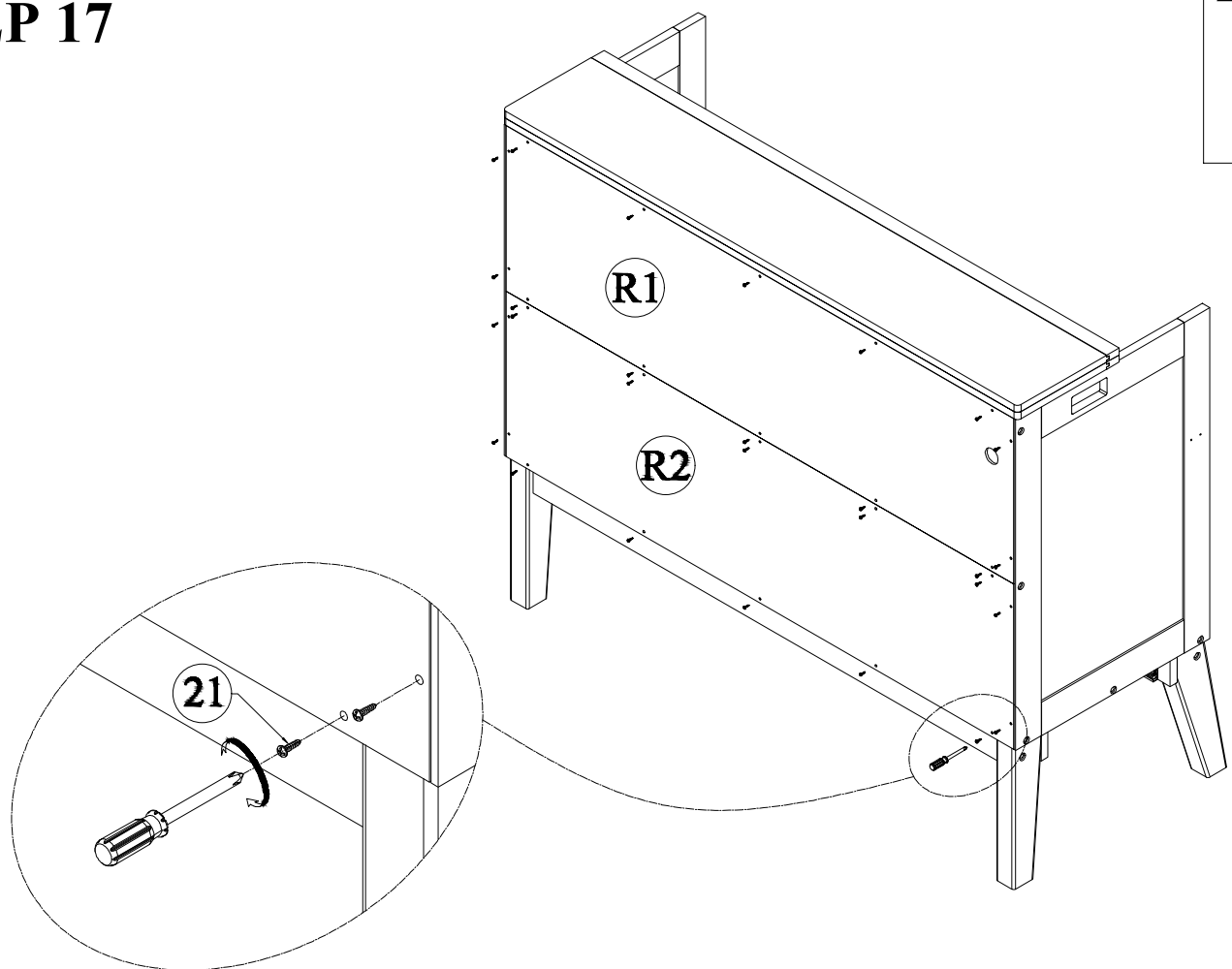


STEP 17

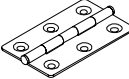

21

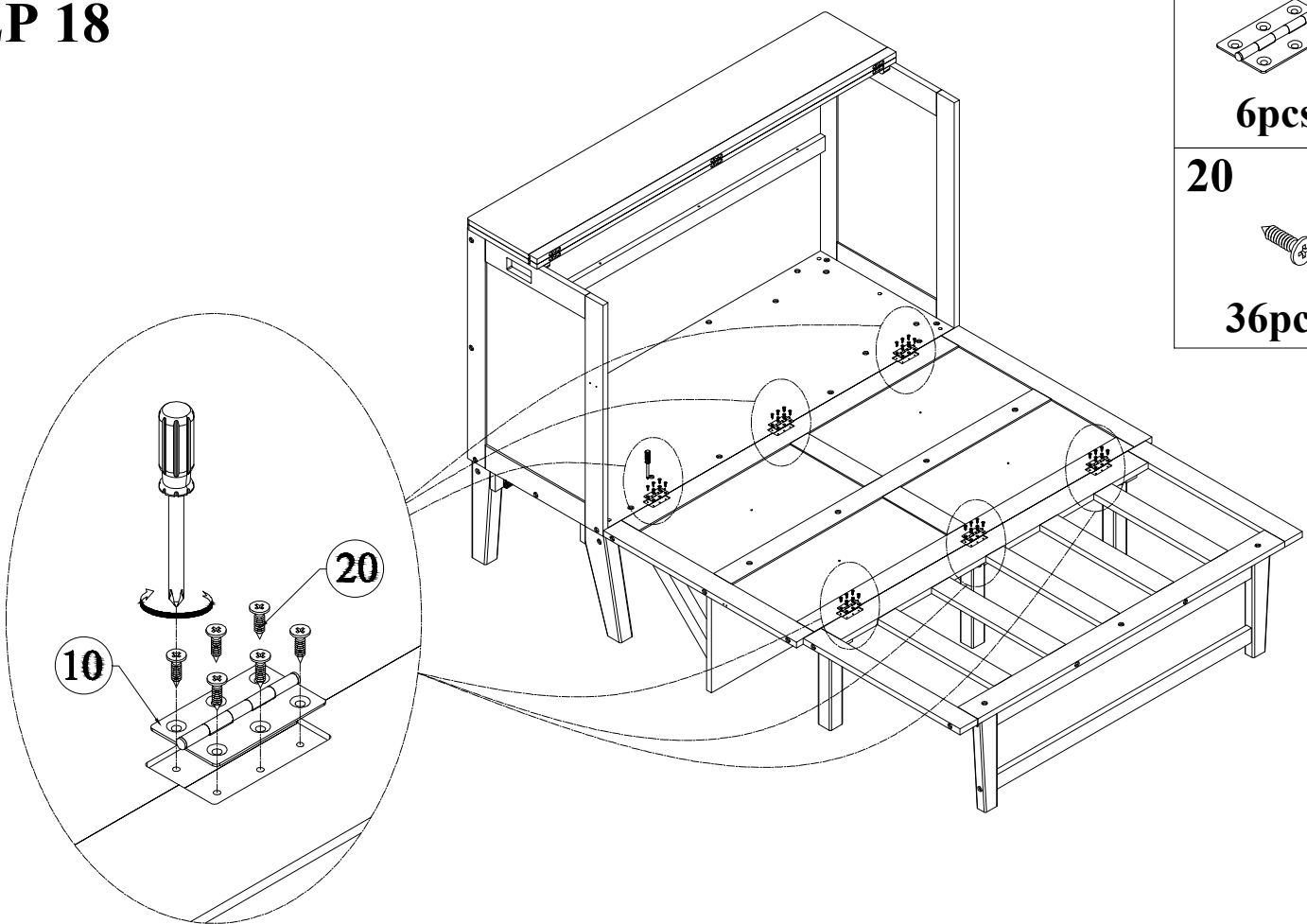


28pcs

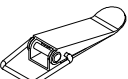




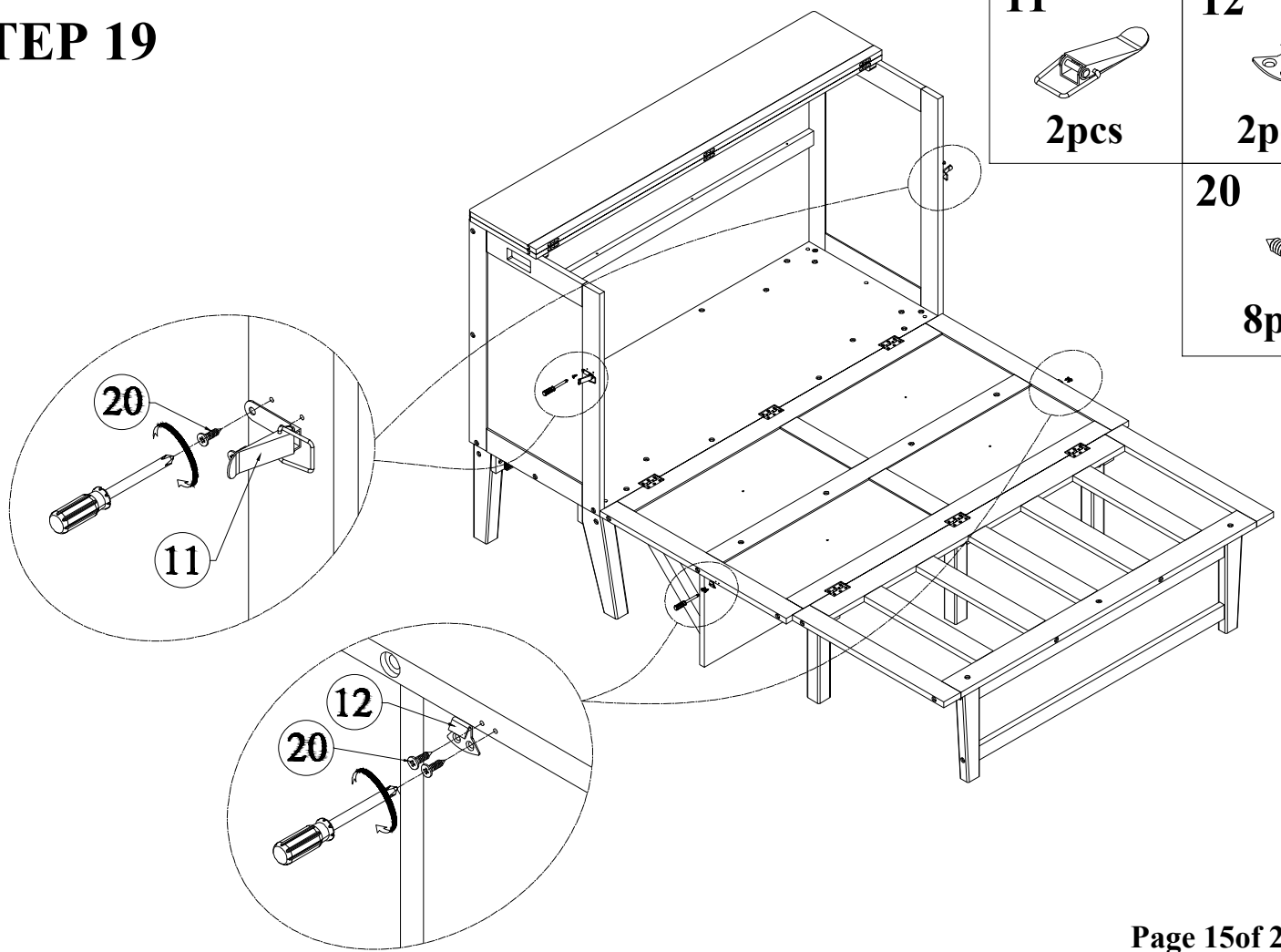
STEP 18

- 10  6pcs
- 20  36pcs

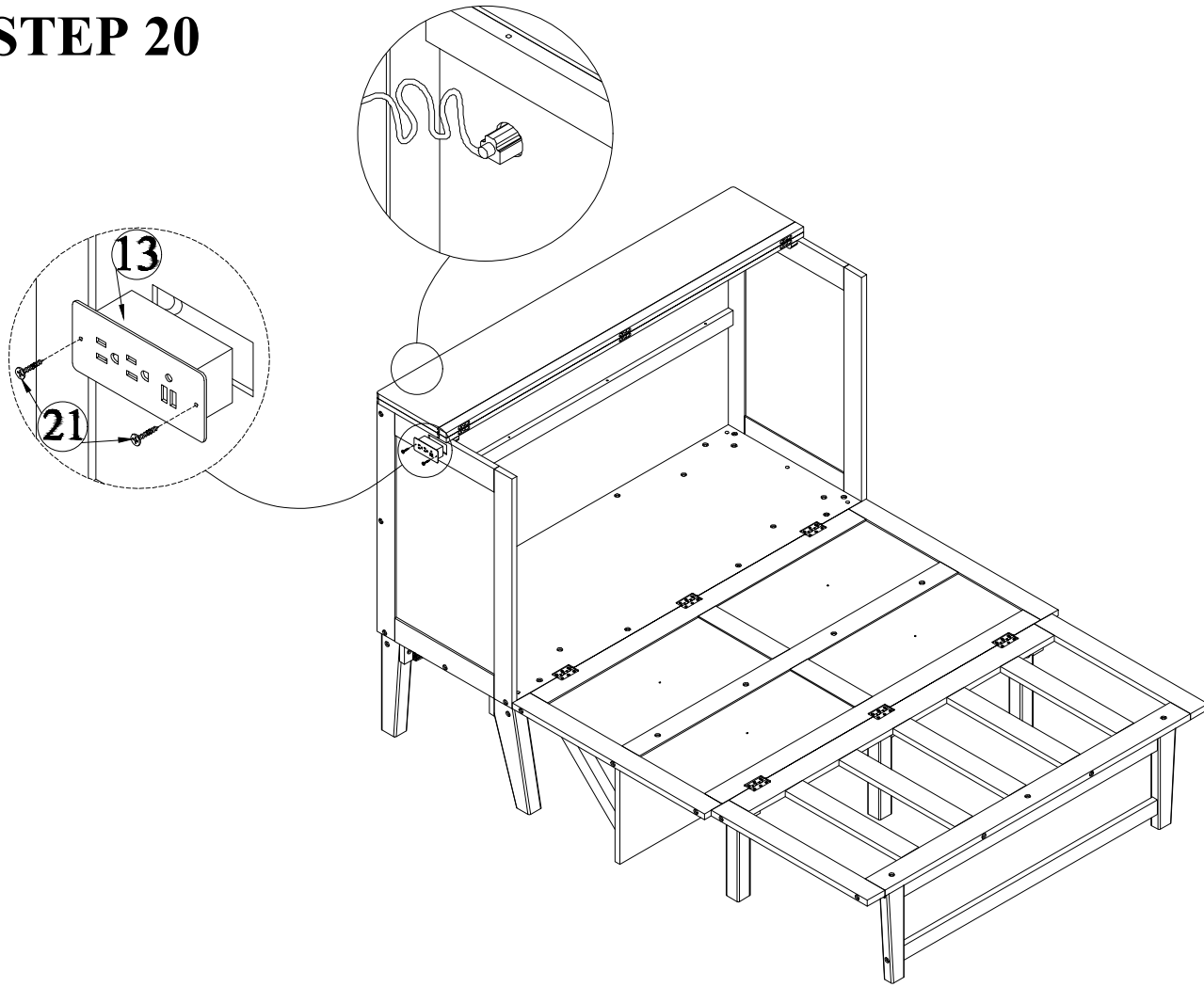


STEP 19

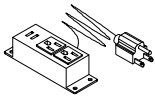
- 11  2pcs
- 12  2pcs
- 20  8pcs



STEP 20



13



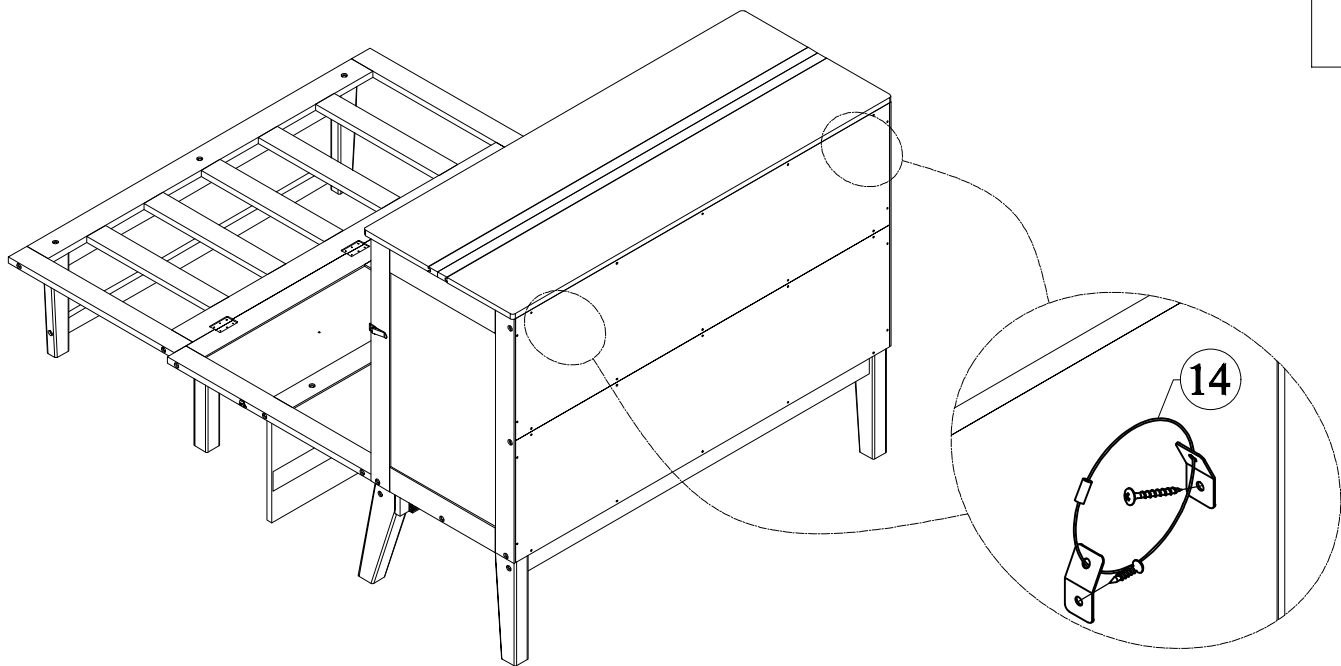
1pc

21



4pcs

STEP 21

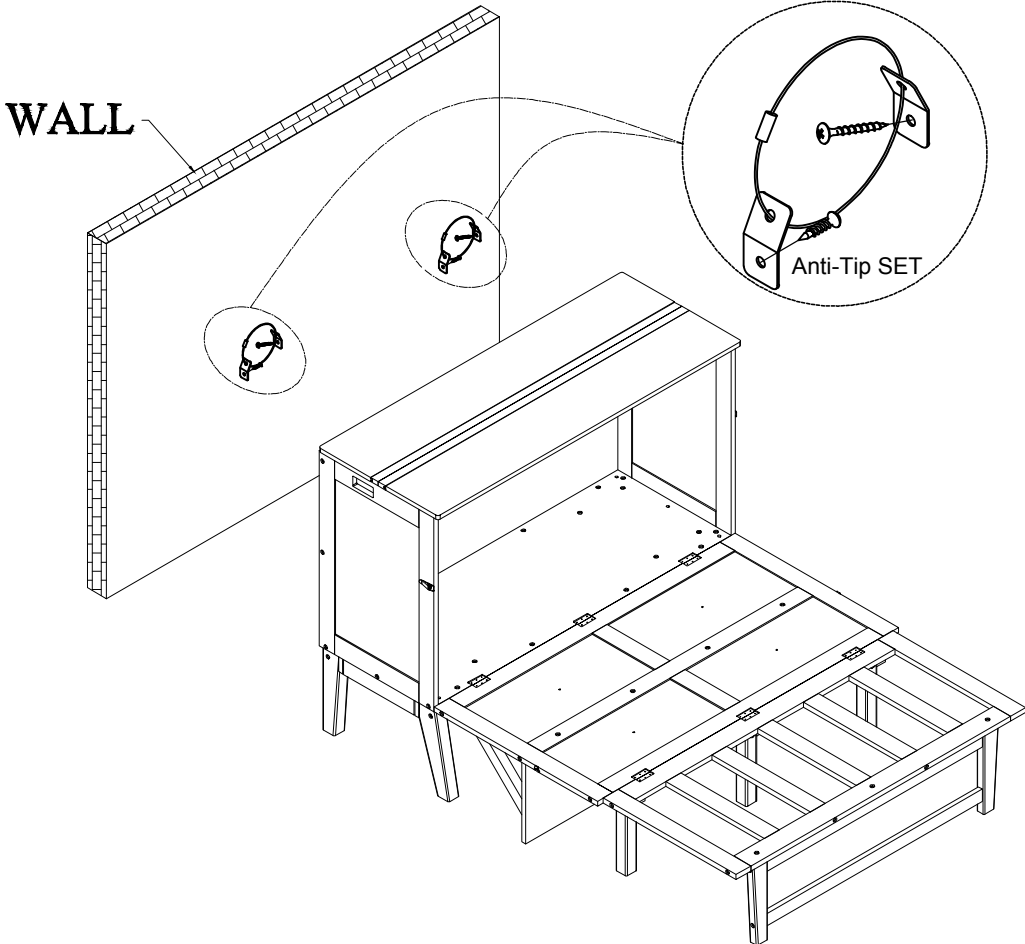


14

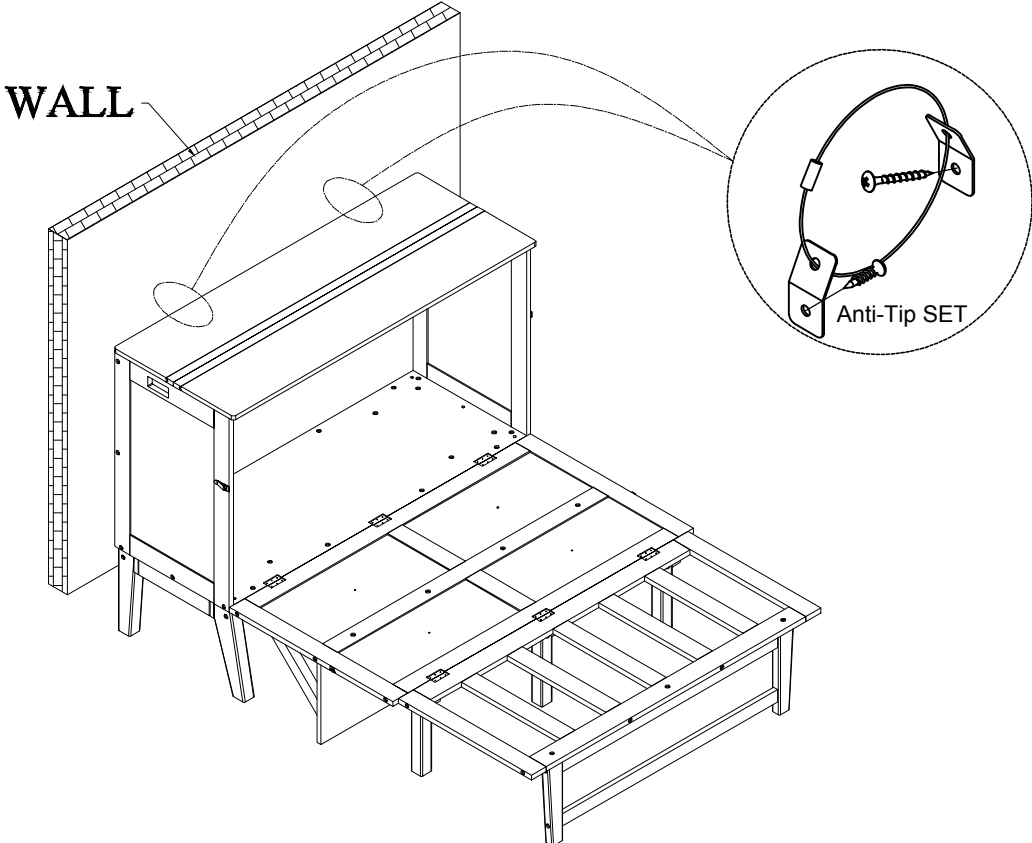


2sets

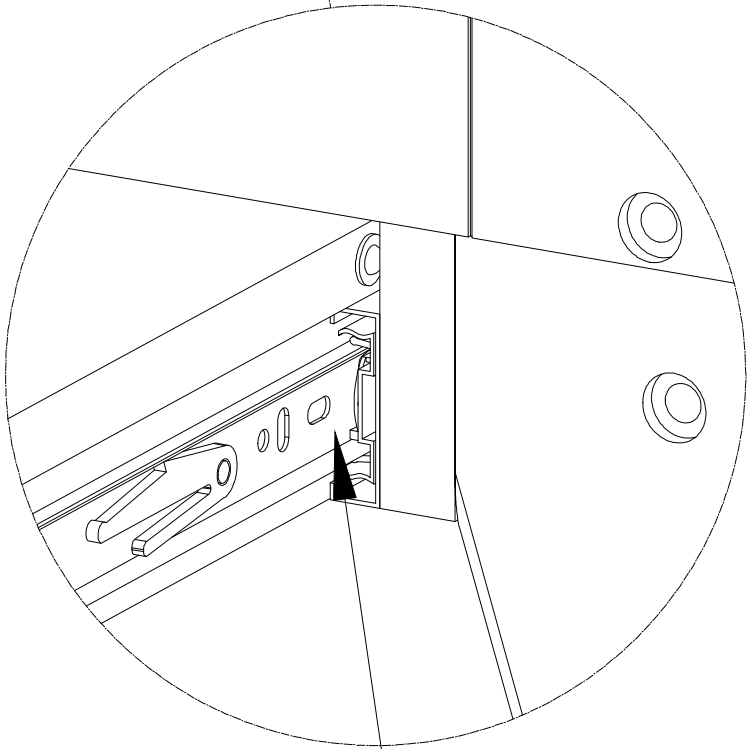
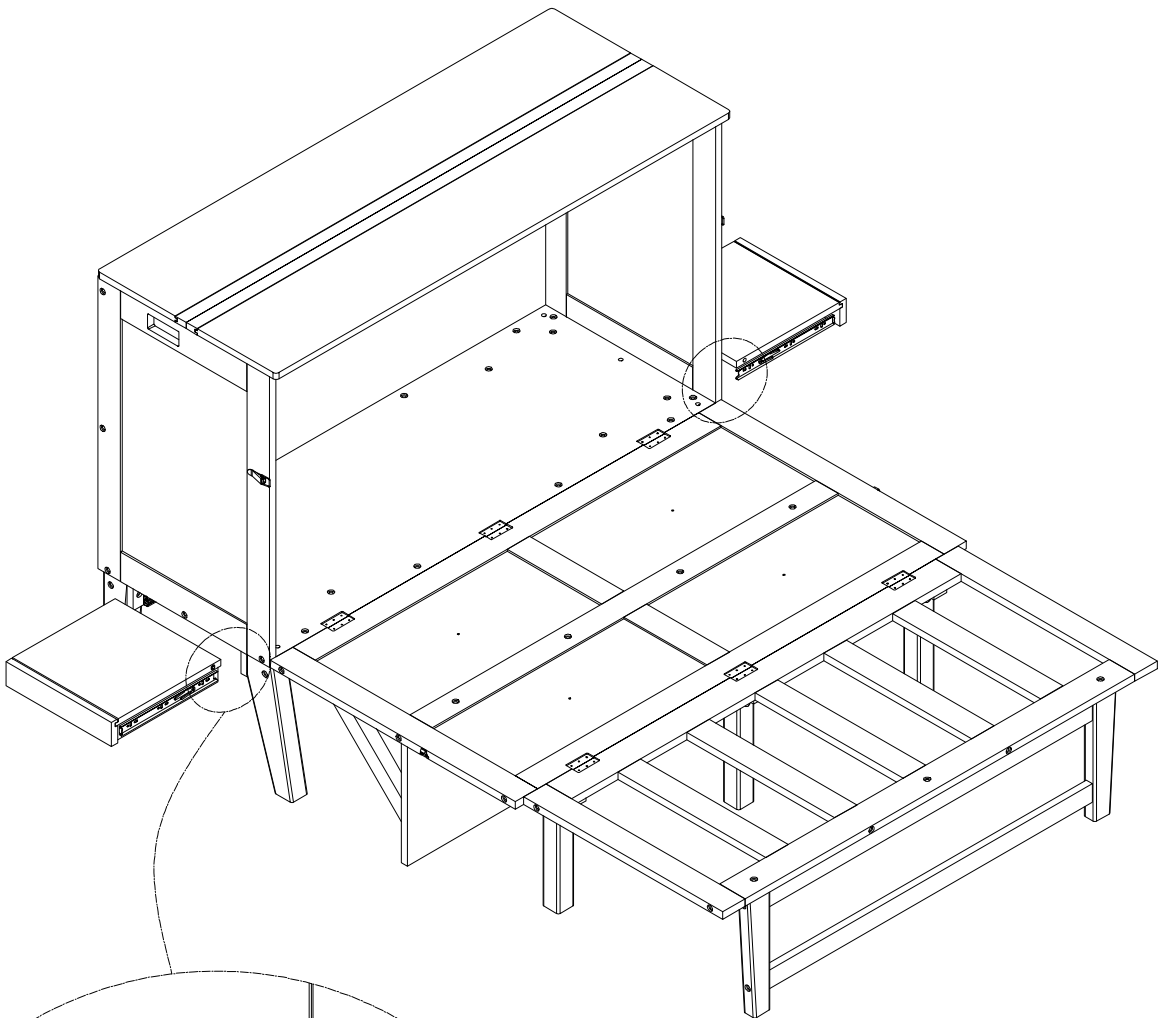
STEP 22



STEP 23

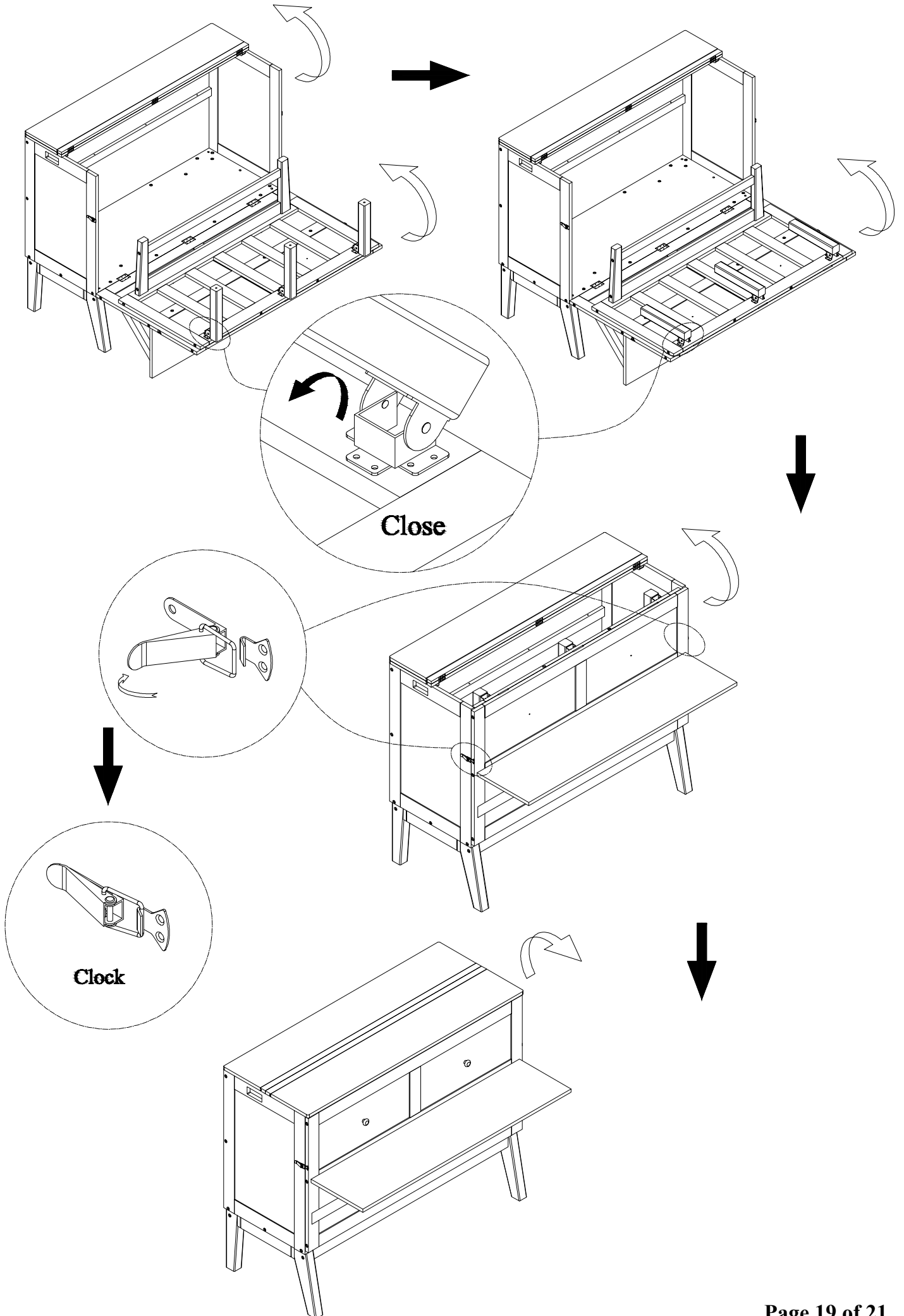


STEP 24

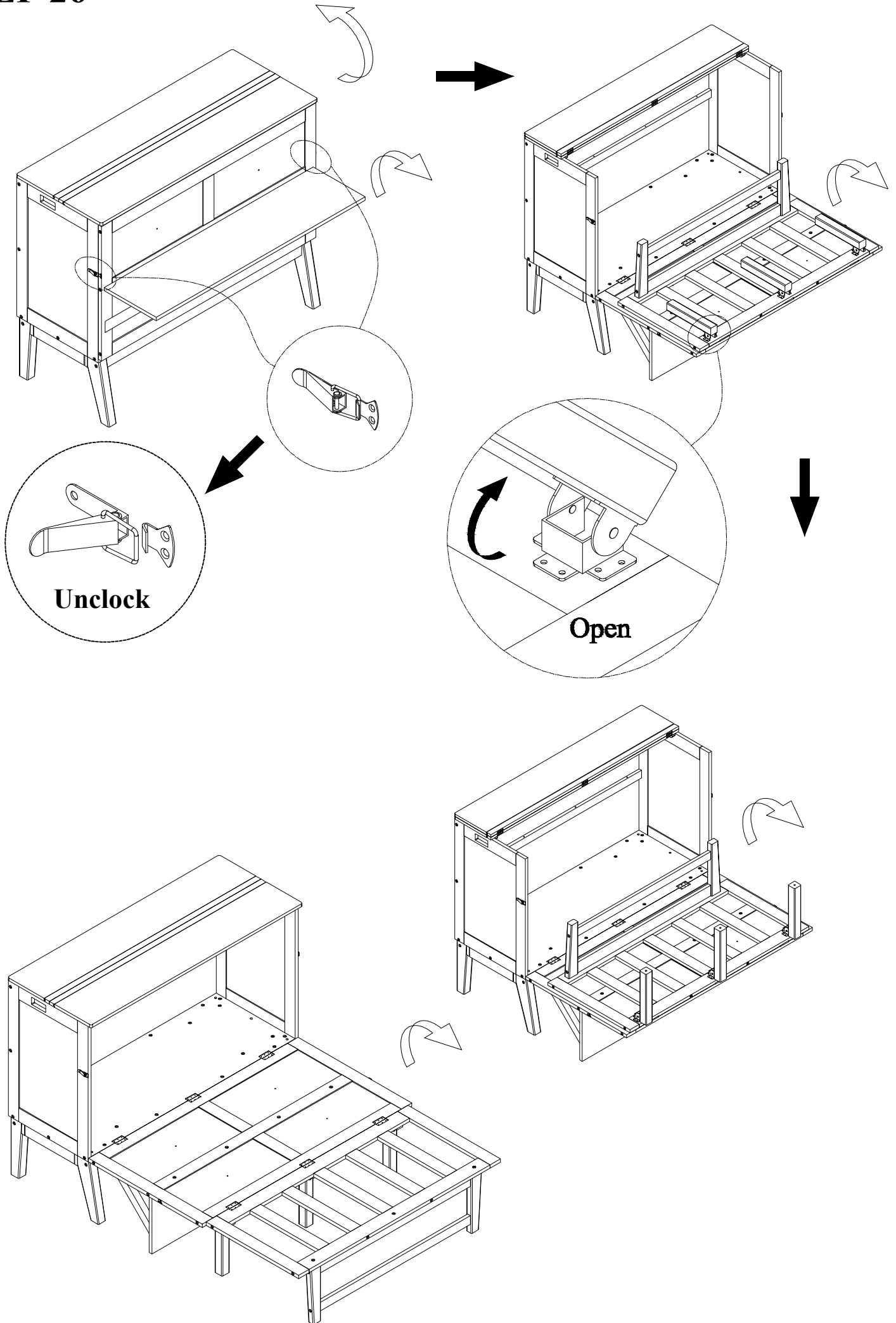


Place the end of the slider in the groove before pushing it in

STEP 25



STEP 26



COMPLETED

