

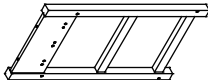
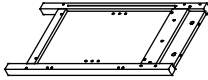
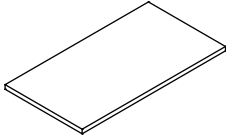
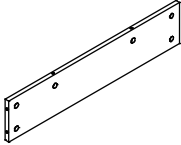
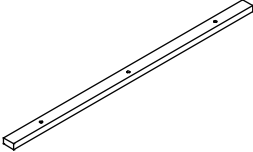
CARE AND MAINTENANCE

Always use felt pads under all articles to prevent discoloration or softening of the lacquer. Plastic and rubber bases on items can discolor wood. Wipe up spills immediately and avoid common hazards such as hot dishes, harsh solvents and abrasives. Cleaning should be done with a soft lint free cotton cloth dampened with water or furniture polish. On highly used surfaces we recommend applying a quality paste wax which should be used on a regular basis to provide additional protection from scratches and spills. How often you apply the wax depends on how much wear the furniture receives.

NOTICE

- * Please make sure that you have all parts indicated before you begin assembly on this item.
- * This item should be assembled on a soft surface to prevent scratching/dirty the surface during assembly.
- * This item may require periodic tightening.

Part List and Hardware List

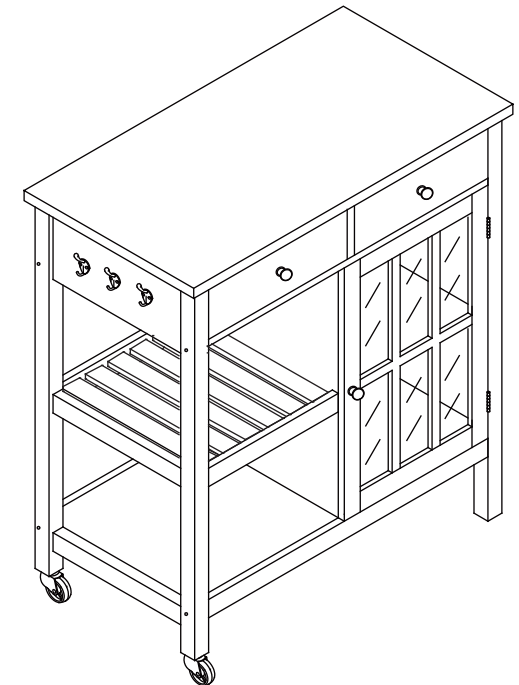
| PIECE | DESCRIPTION | PICTURE | QUANTITY |
|-------|------------------|-------------------------------------------------------------------------------------|----------|
| A | Left Side Panel |  | 1X |
| B | Right Side Panel |  | 1X |
| C | Top Panel |  | 1X |
| D | Upper Back Panel |  | 1X |
| E | Cross Bar |  | 1X |

Item Dimension: W33.5" x D16.9" x H35"

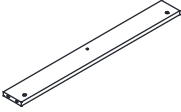
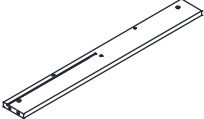

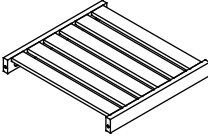
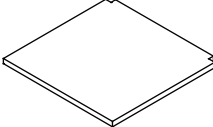
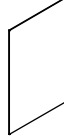
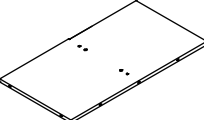
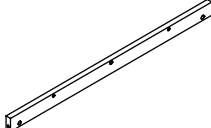

Item Weight Capacities :

Top Panel: 55LBS Shelf: 11LBS

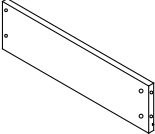
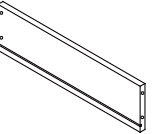
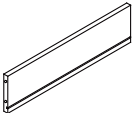
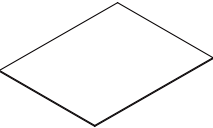
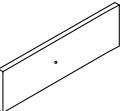
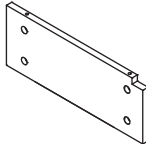
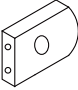
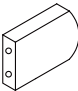
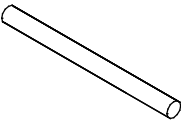
Drawer: 11LBS












Part List and Hardware List

| PIECE | DESCRIPTION | PICTURE | QUANTITY |
|-------|-----------------|-------------------------------------------------------------------------------------|----------|
| F | Front Stretcher |  | 1X |
| G | Back Stretcher |  | 1X |
| H | Partition |  | 1X |
| I | Upper Shelf |  | 1X |
| J | Shelf |  | 1X |
| K | Back Panel |  | 1X |
| L | Bottom Panel |  | 1X |
| M | Stretcher |  | 2X |
| N | Door Panel |  | 1X |




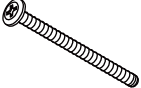


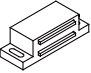


Part List and Hardware List

| PIECE | DESCRIPTION | PICTURE | QUANTITY |
|-------|-------------------------|-------------------------------------------------------------------------------------|----------|
| O | Drawer Left Side Panel |  | 2X |
| P | Drawer Right Side Panel |  | 2X |
| Q | Drawer Bottom Panel |  | 2X |
| R | Drawer Bottom Panel |  | 2X |
| S | Drawer Front Panel |  | 2X |
| T | Medium Partition |  | 1X |
| U | Right Hanger Rail |  | 1X |
| V | Left Hanger Rail |  | 1X |
| W | Towel Bar |  | 1X |

Part List and Hardware List

| PIECE | DESCRIPTION | PICTURE | QUANTITY |
|-------|-----------------------------|-------------------------------------------------------------------------------------|----------|
| HW1 | Cam Bolt |  | 30X |
| HW2 | Cam Bolt |  | 30X |
| HW3 | Dowel |  | 14X |
| HW4 | Phillips Screw (M4x35mm) |  | 6X |
| HW5 | Phillips Screw (M3x12mm) |  | 34X |
| HW6 | Phillips Screw (M4x30mm) |  | 8X |
| HW7 | Buckle |  | 4X |
| HW8 | Wrench |  | 1X |
| HW9 | Handle |  | 3X |

Part List and Hardware List

| PIECE | DESCRIPTION | PICTURE | QUANTITY |
|-------|-----------------------------|-------------------------------------------------------------------------------------|----------|
| HW10 | Phillips Screw (M4x16mm) |  | 3X |
| HW11 | Hanger |  | 3X |
| HW12 | Phillips Screw (M4x25mm) |  | 3X |
| HW13 | Phillips Bolt (M6x60mm) |  | 10X |
| HW14 | Bolt Nut |  | 10X |
| HW15 | Hinge |  | 2X |
| HW16 | Magnet |  | 1X |
| HW17 | Phillips Screw (M3x14mm) |  | 6X |
| HW18 | Bracket |  | 1X |

Part List and Hardware List

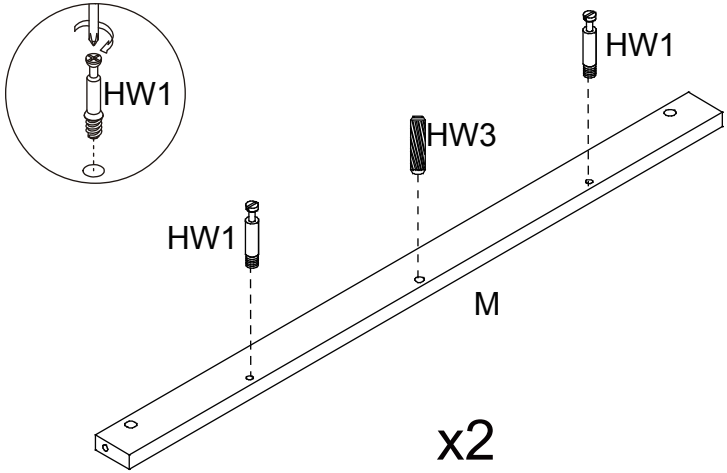
| PIECE | DESCRIPTION | PICTURE | QUANTITY |
|-------|-----------------------------|-------------------------------------------------------------------------------------|----------|
| HW19 | Pin |  | 4X |
| HW20 | Wheel |  | 2X |
| HW21 | Phillips Screw (M4x14mm) |  | 12X |
| HW22 | Plastic Strip |  | 2X |
| HW23 | Stickers |  | 8X |
| HW24 | Cabinet Slider |  | 4X |
| HW25 | Drawer Slider |  | 4X |

PREPARATION

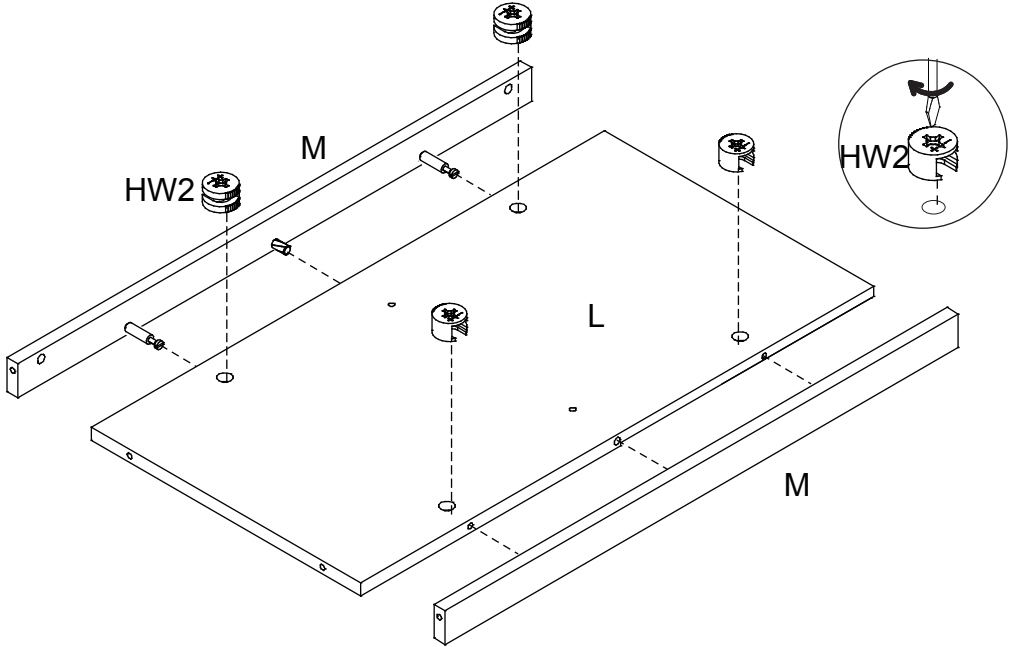
Before beginning assembly of product, make sure all parts are present. Compare parts with package contents list. If any part is missing or damaged, do not attempt to assemble the product.

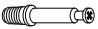

EstimatedAssemblyTime: 15 minutes.


1



2



| | |
|-----------|--------------------------------------------------------------------------------------|
| HW1 x4 |  |
| HW3 x2 |  |

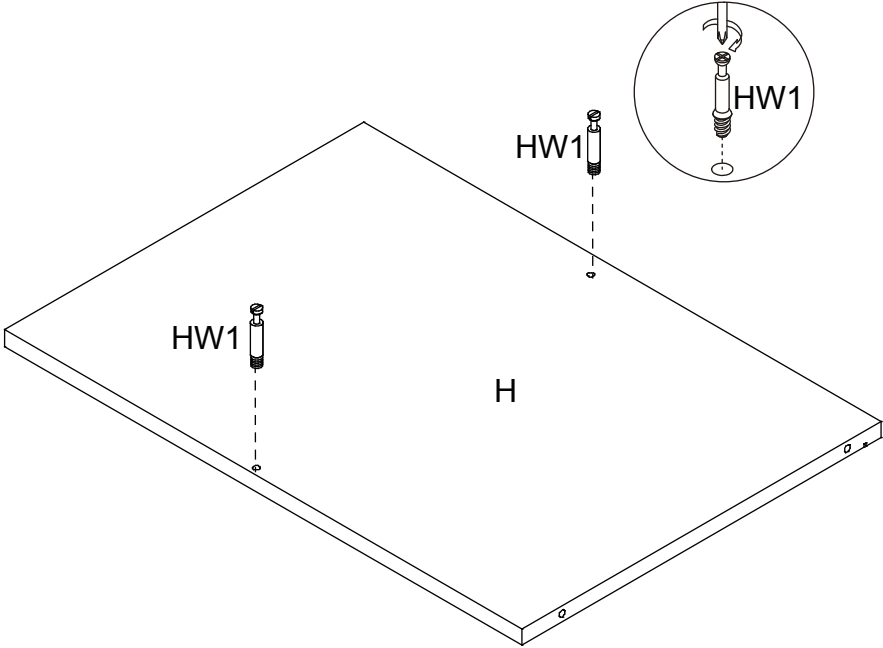
| | |
|-----------|---------------------------------------------------------------------------------------|
| HW2 x4 |  |
|-----------|---------------------------------------------------------------------------------------|

PREPARATION

Before beginning assembly of product, make sure all parts are present. Compare parts with package contents list. If any part is missing or damaged, do not attempt to assemble the product.

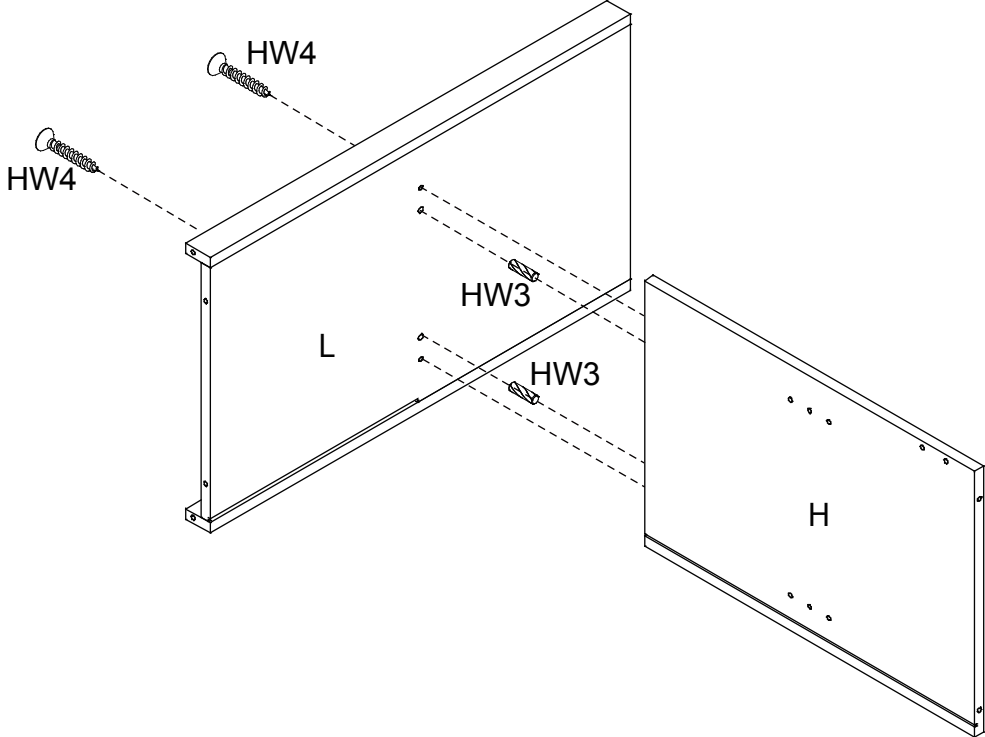
EstimatedAssemblyTime: 15 minutes.

3



| | |
|-----------|--|
| HW1 x2 | |
|-----------|--|

4



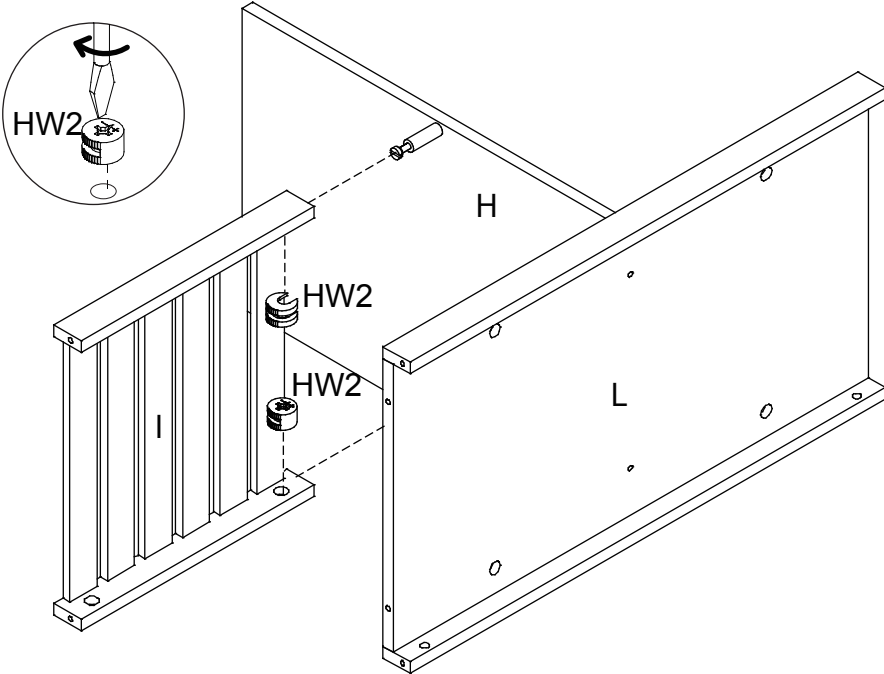
| | |
|-----------|--|
| HW3 x2 | |
| HW4 x2 | |

PREPARATION

Before beginning assembly of product, make sure all parts are present. Compare parts with package contents list. If any part is missing or damaged, do not attempt to assemble the product.

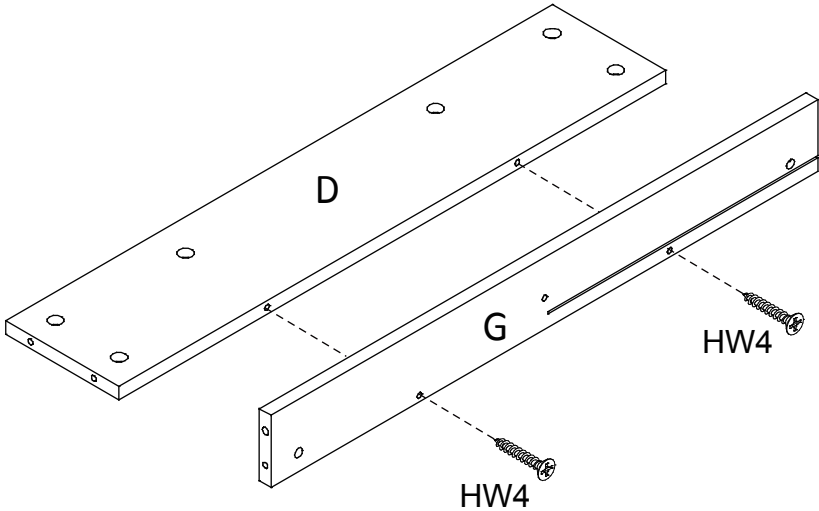
EstimatedAssemblyTime: 15 minutes.

5



| | |
|-----------|--|
| HW2 x2 | |
|-----------|--|

6



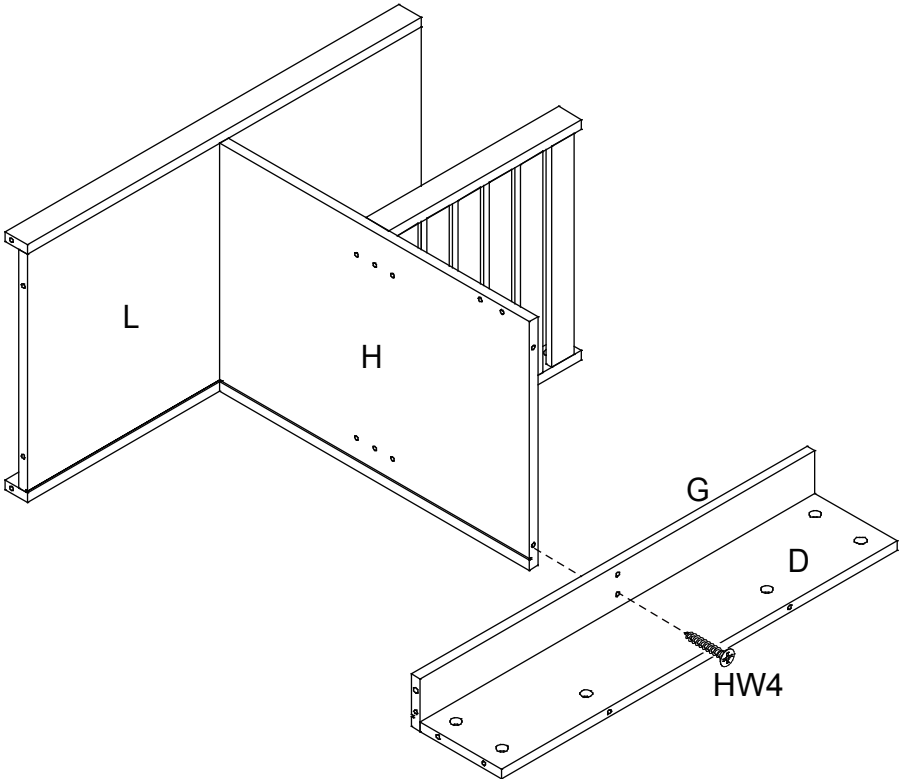
| | |
|-----------|--|
| HW4 x2 | |
|-----------|--|

PREPARATION

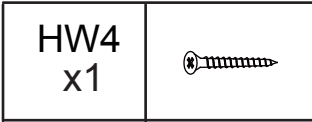
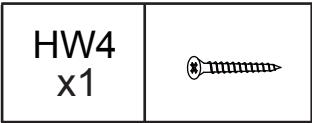
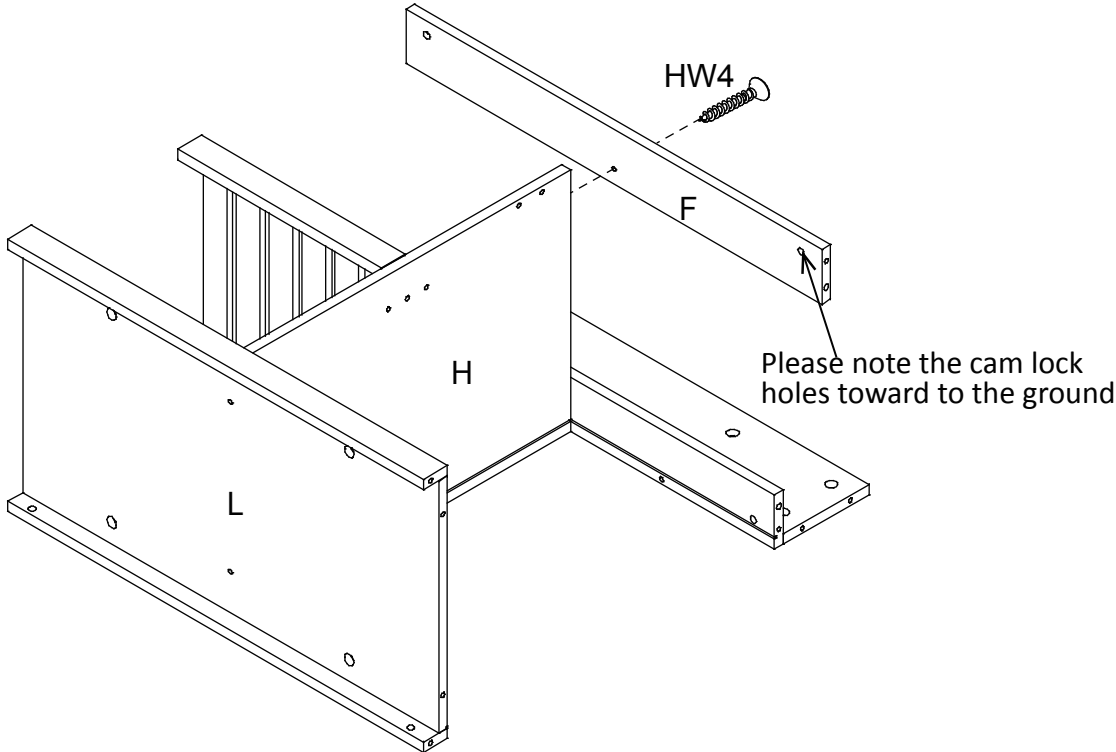
Before beginning assembly of product, make sure all parts are present. Compare parts with package contents list. If any part is missing or damaged, do not attempt to assemble the product.

EstimatedAssemblyTime: 15 minutes.

7



8

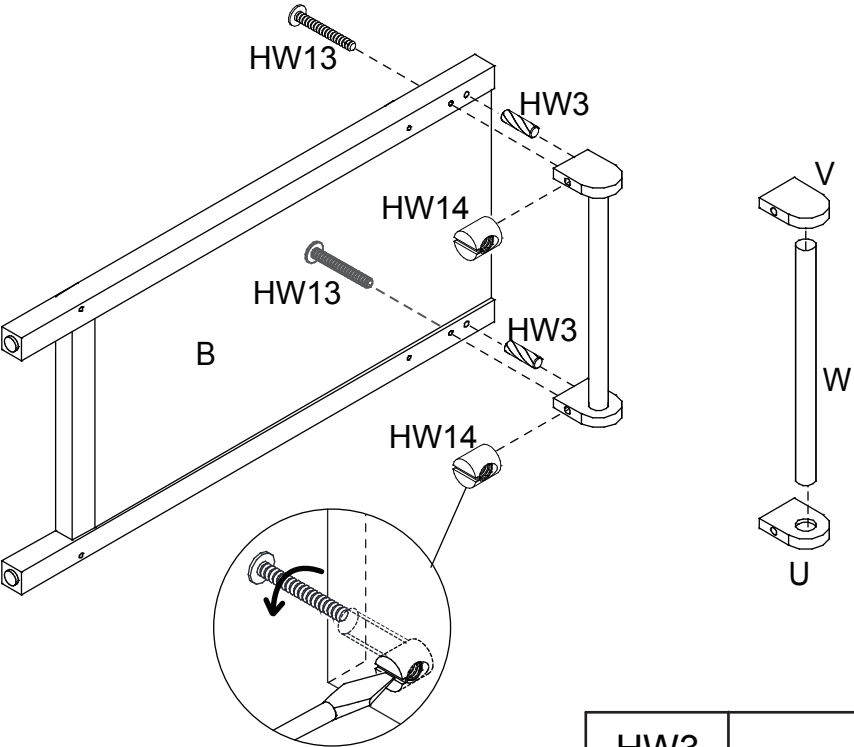


PREPARATION

Before beginning assembly of product, make sure all parts are present. Compare parts with package contents list. If any part is missing or damaged, do not attempt to assemble the product.

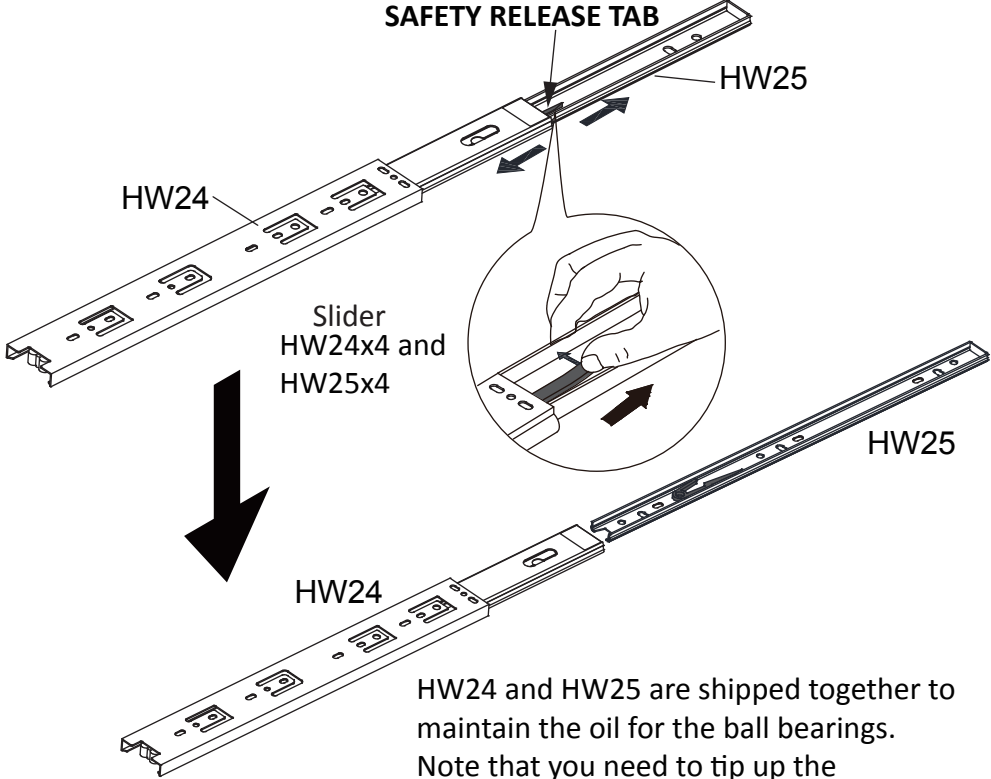
Estimated Assembly Time: 15 minutes.

9



| | |
|------------|--|
| HW3 x2 | |
| HW13 x2 | |
| HW14 x2 | |

10



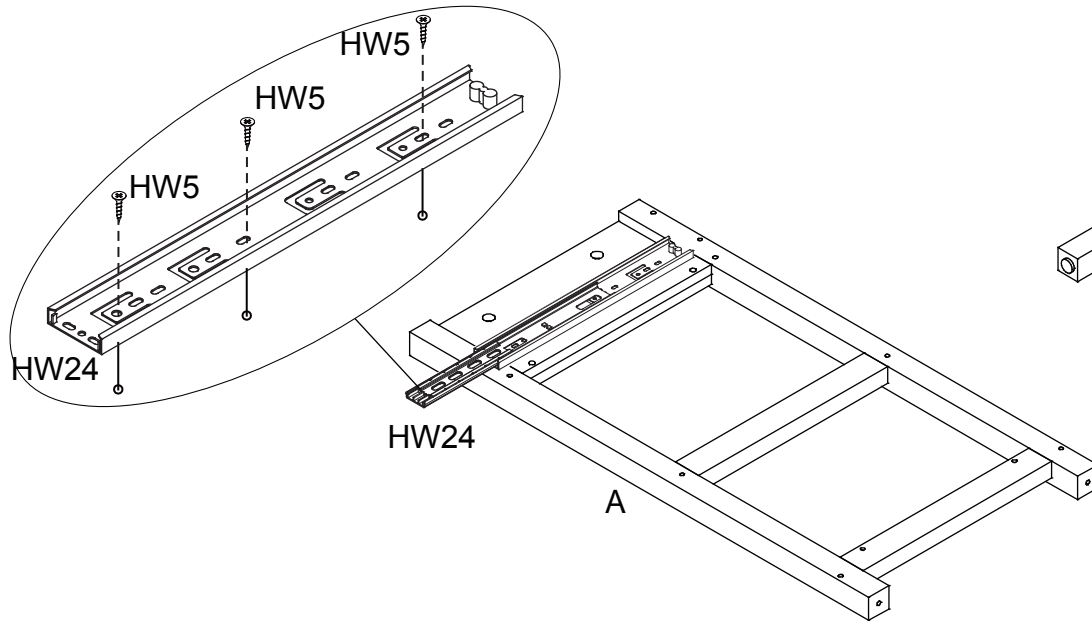
HW24 and HW25 are shipped together to maintain the oil for the ball bearings. Note that you need to tip up the safety release tab to take out the HW25 part prior to assembly.

PREPARATION

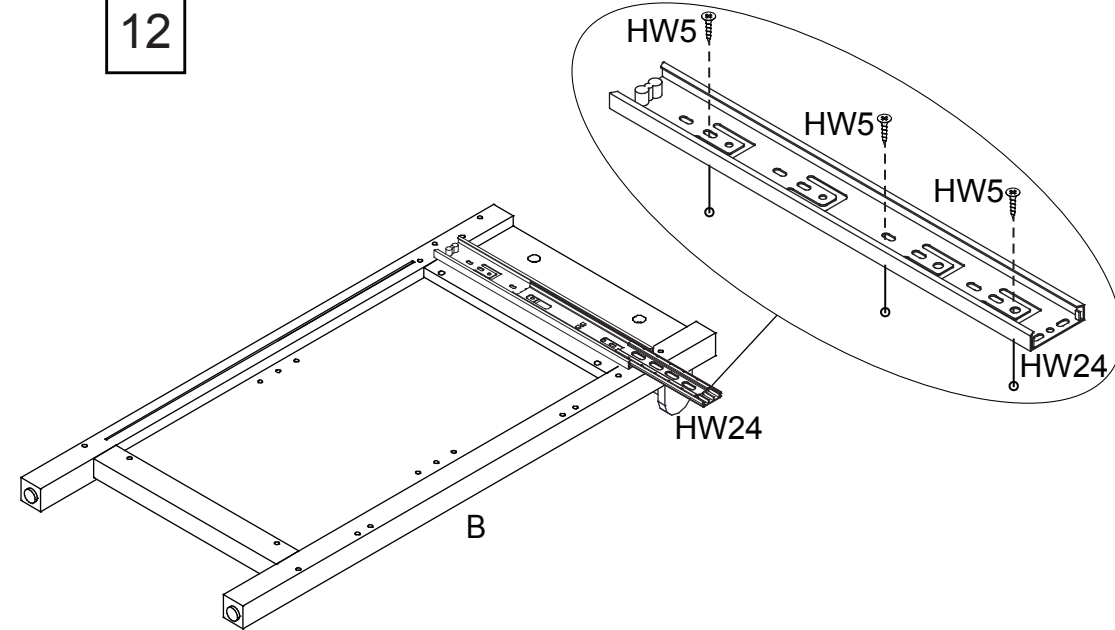
Before beginning assembly of product, make sure all parts are present. Compare parts with package contents list. If any part is missing or damaged, do not attempt to assemble the product.



Estimated Assembly Time: 15 minutes.

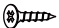

11



12



| | |
|------------|--------------------------------------------------------------------------------------|
| HW5 x3 |  |
| HW24 x1 |  |

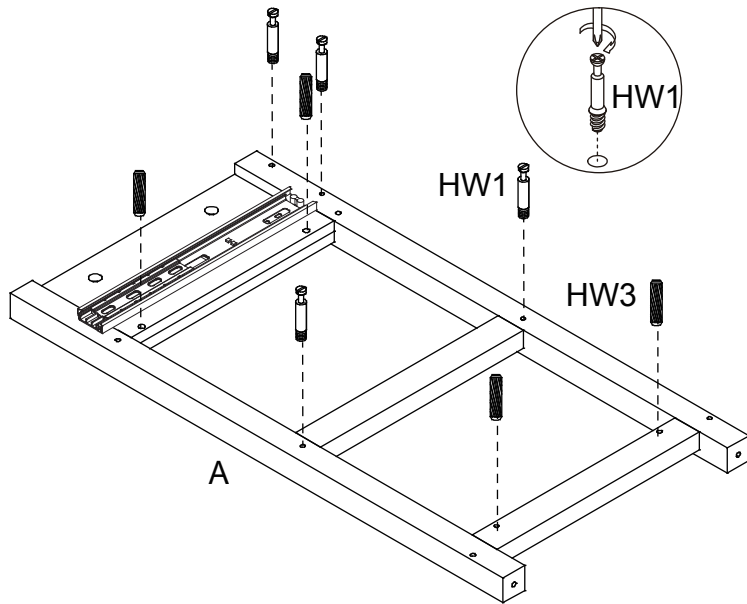
| | |
|------------|---------------------------------------------------------------------------------------|
| HW5 x3 |  |
| HW24 x1 |  |

PREPARATION

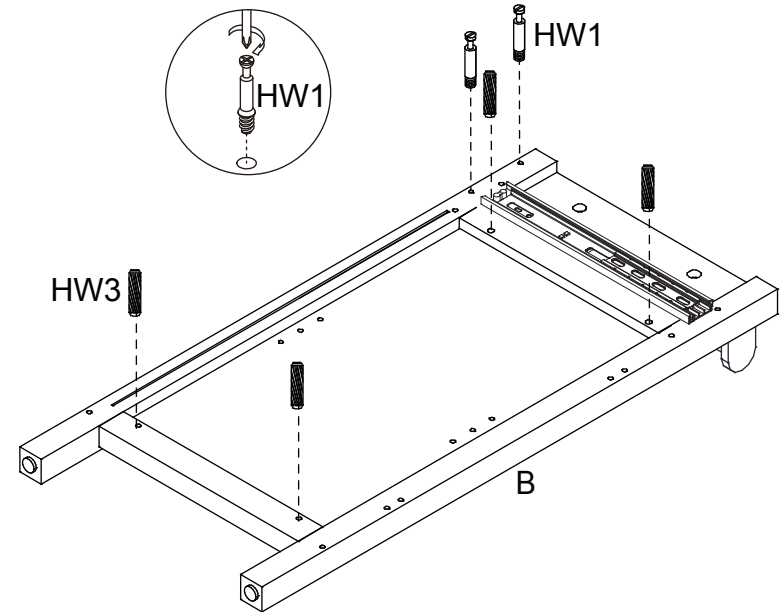
Before beginning assembly of product, make sure all parts are present. Compare parts with package contents list. If any part is missing or damaged, do not attempt to assemble the product.

EstimatedAssemblyTime: 15 minutes.

13



14



| | |
|-----------|--|
| HW1 x4 | |
| HW3 x4 | |

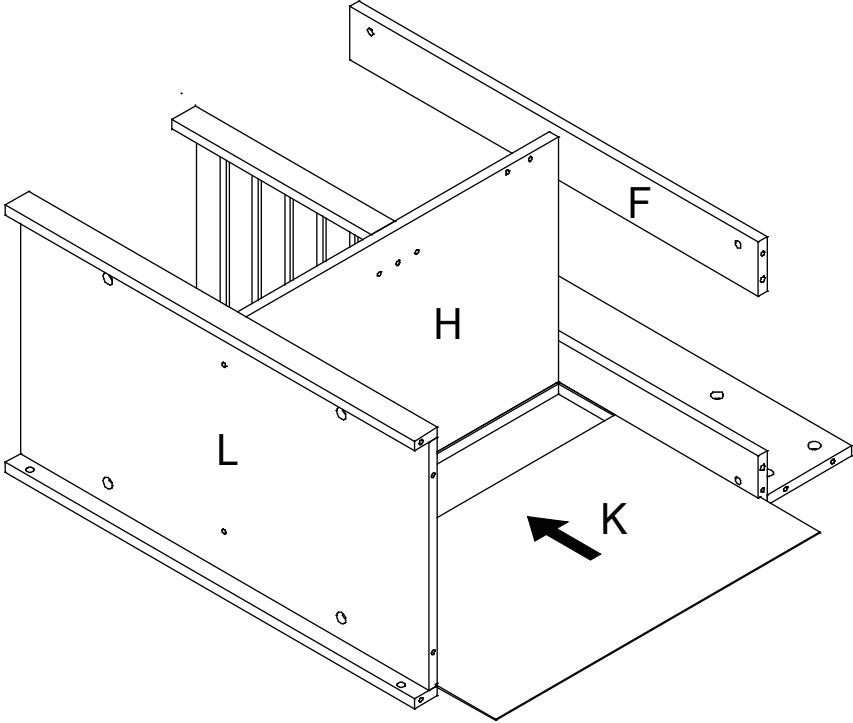
| | |
|-----------|--|
| HW1 x2 | |
| HW3 x4 | |

PREPARATION

Before beginning assembly of product, make sure all parts are present. Compare parts with package contents list. If any part is missing or damaged, do not attempt to assemble the product.

EstimatedAssemblyTime: 15 minutes.

15

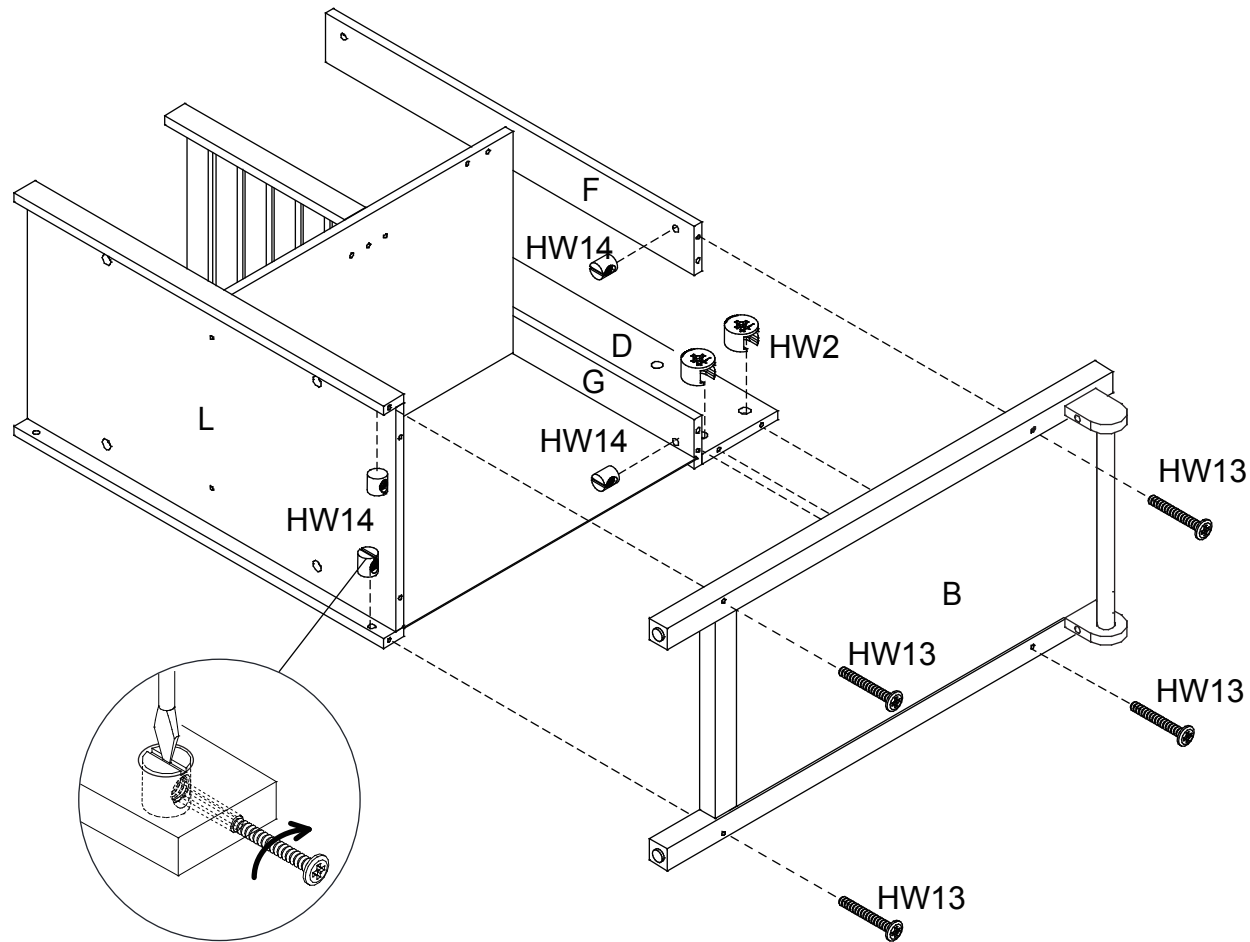





PREPARATION

Before beginning assembly of product, make sure all parts are present. Compare parts with package contents list. If any part is missing or damaged, do not attempt to assemble the product.

Estimated Assembly Time: 15 minutes.

16



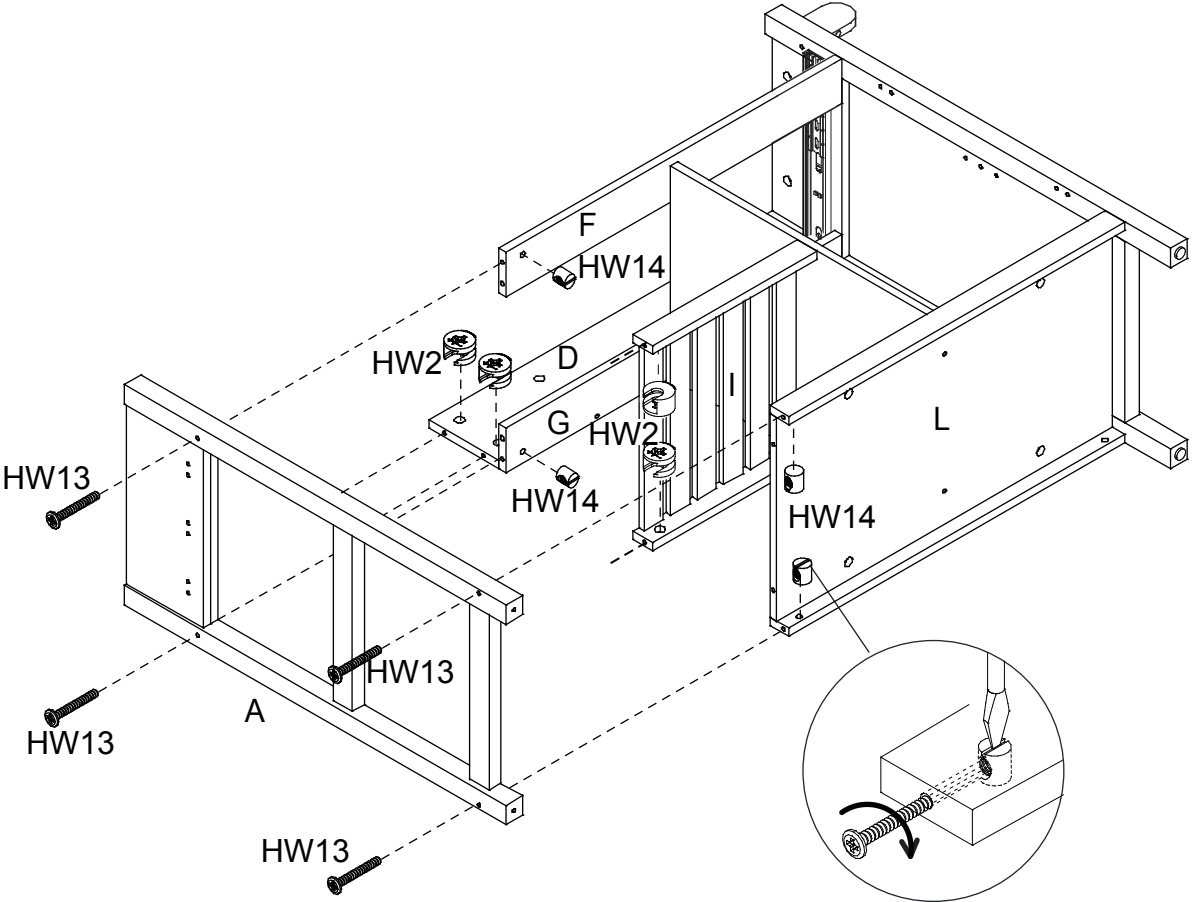
| | |
|------------|---------------------------------------------------------------------------------------|
| HW2 x2 |  |
| HW13 x4 |  |
| HW14 x4 |  |




PREPARATION

Before beginning assembly of product, make sure all parts are present. Compare parts with package contents list. If any part is missing or damaged, do not attempt to assemble the product.

Estimated Assembly Time: 15 minutes.

17



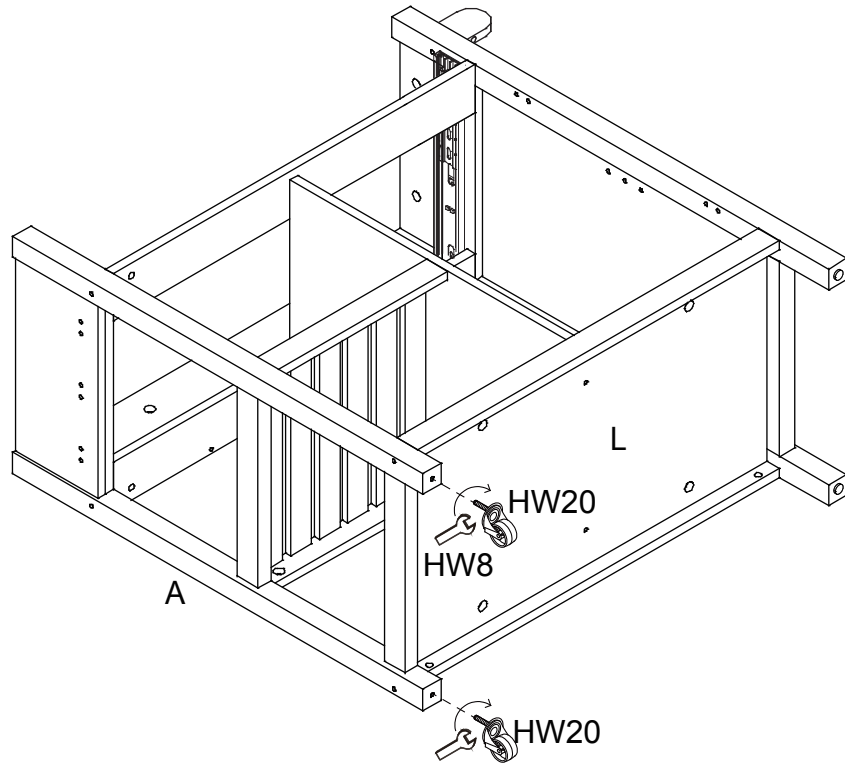
| | |
|------------|---------------------------------------------------------------------------------------|
| HW2 x4 |  |
| HW13 x4 |  |
| HW14 x4 |  |



PREPARATION

Before beginning assembly of product, make sure all parts are present. Compare parts with package contents list. If any part is missing or damaged, do not attempt to assemble the product.

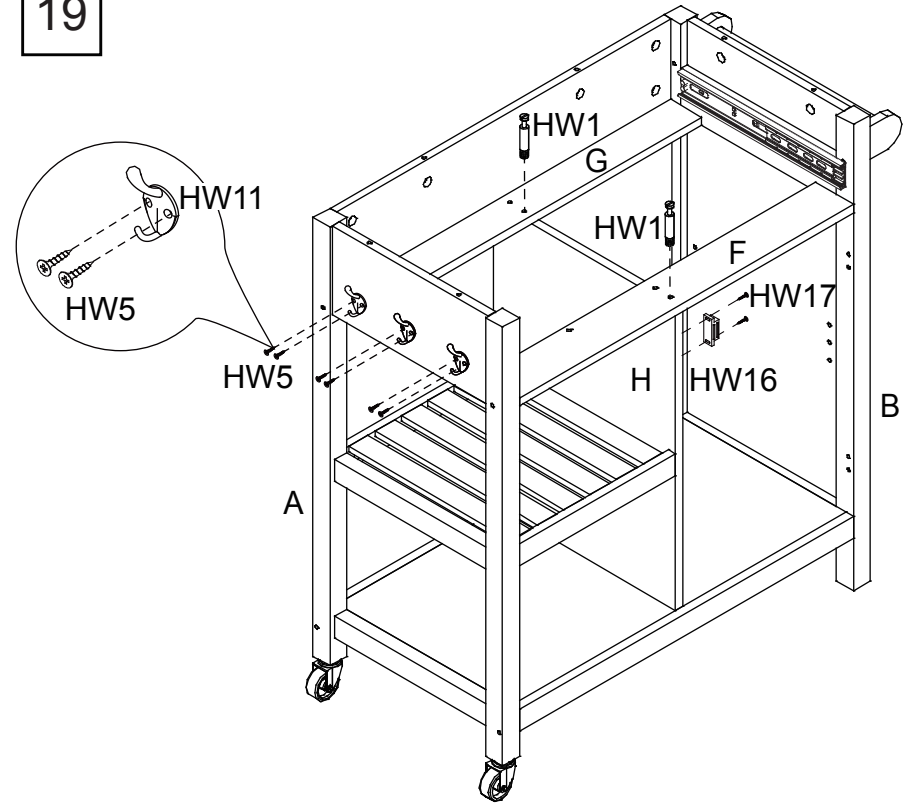
Estimated Assembly Time: 15 minutes.

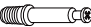


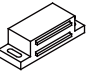

18



| | |
|------------|--------------------------------------------------------------------------------------|
| HW8 x1 |  |
| HW20 x2 |  |

19



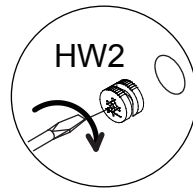
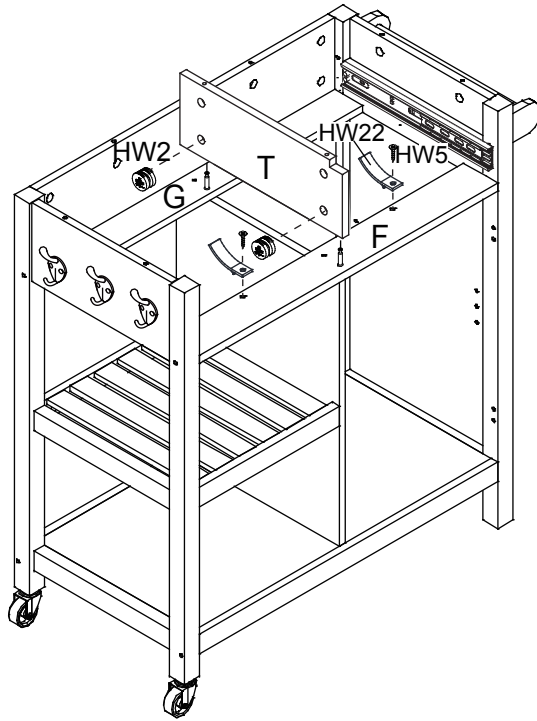
| | | | |
|-----------|---------------------------------------------------------------------------------------|------------|---------------------------------------------------------------------------------------|
| HW1 x2 |  | HW11 x3 |  |
| HW5 x6 |  | HW16 x1 |  |
| | | HW17 x2 |  |

PREPARATION

Before beginning assembly of product, make sure all parts are present. Compare parts with package contents list. If any part is missing or damaged, do not attempt to assemble the product.

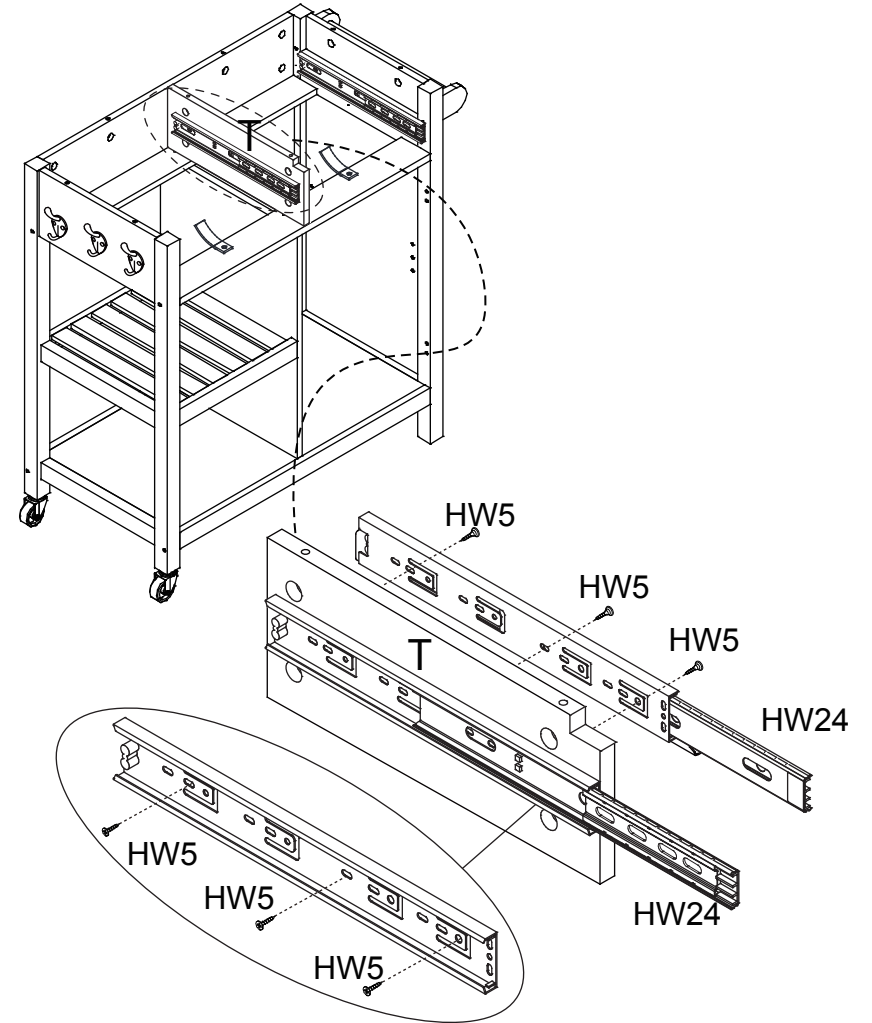
Estimated Assembly Time: 15 minutes.

20



| | |
|------------|--|
| HW2 x2 | |
| HW5 x2 | |
| HW22 x2 | |

21



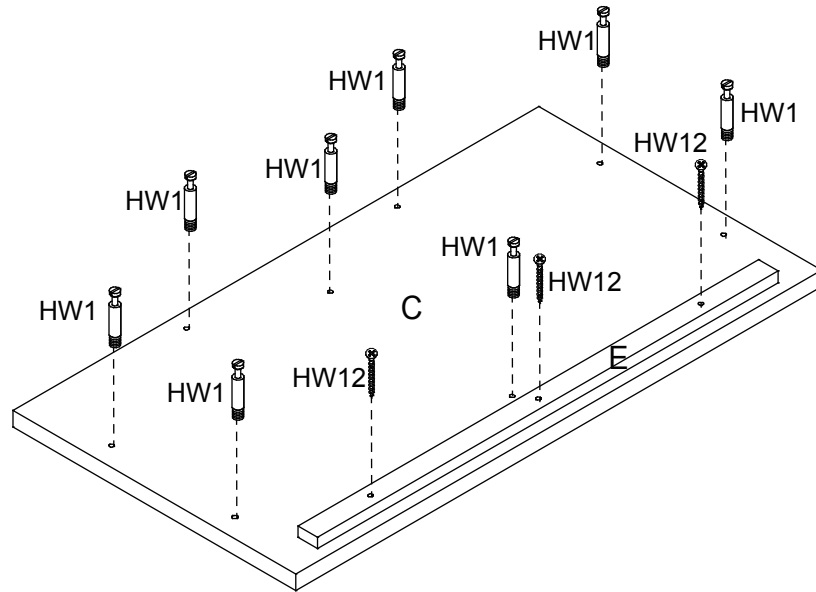
| | |
|------------|--|
| HW5 x6 | |
| HW24 x2 | |

PREPARATION

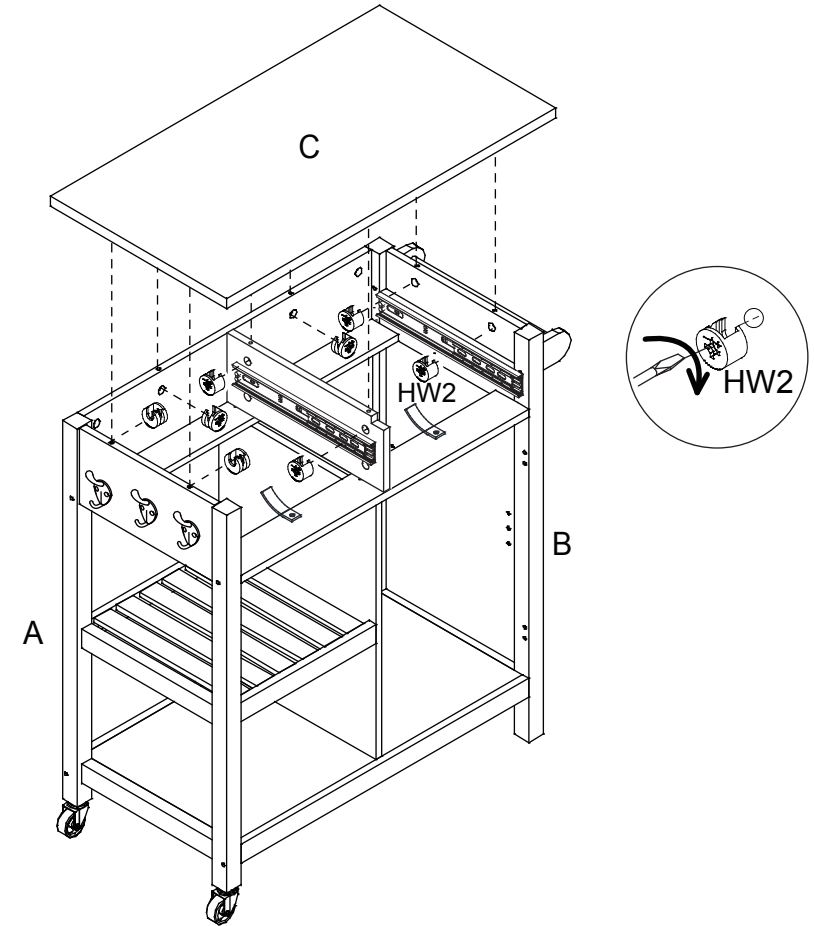
Before beginning assembly of product, make sure all parts are present. Compare parts with package contents list. If any part is missing or damaged, do not attempt to assemble the product.

EstimatedAssemblyTime: 15 minutes.

22



23



| | |
|------------|--|
| HW1 x8 | |
| HW12 x3 | |

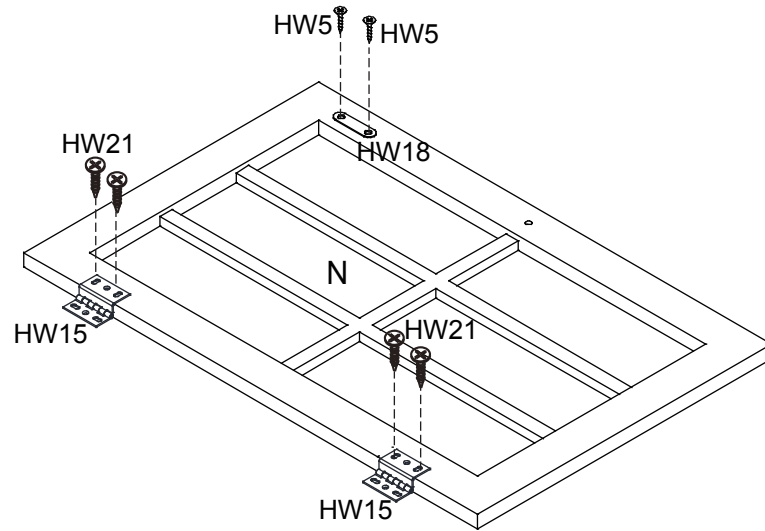
| | |
|-----------|--|
| HW2 x8 | |
|-----------|--|





PREPARATION

Before beginning assembly of product, make sure all parts are present. Compare parts with package contents list. If any part is missing or damaged, do not attempt to assemble the product.

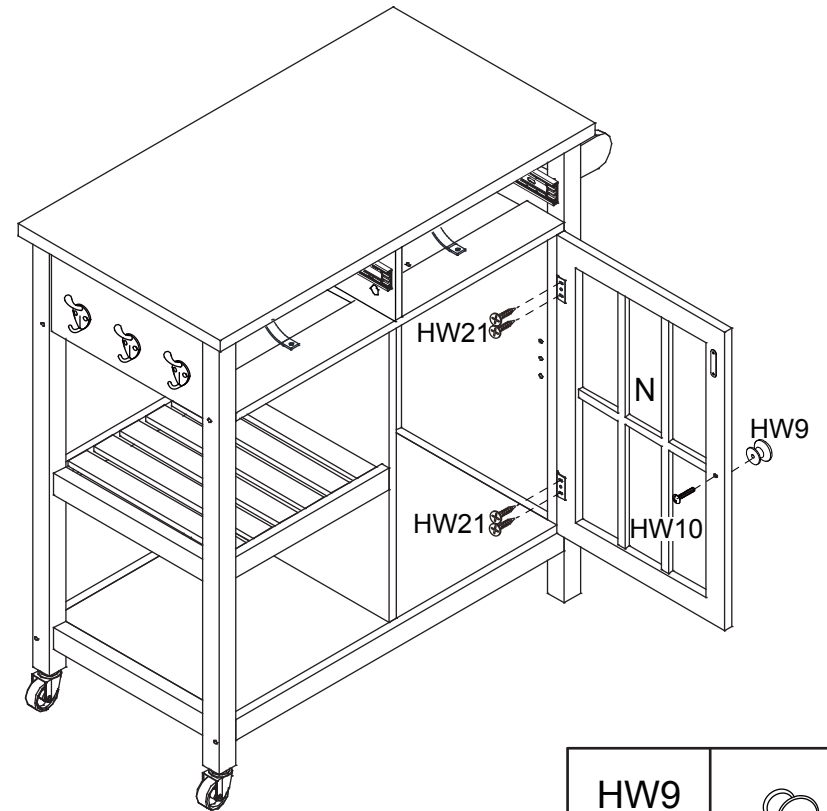
Estimated Assembly Time: 15 minutes.




24



| | | | |
|------------|-------------------------------------------------------------------------------------|------------|--------------------------------------------------------------------------------------|
| HW5 x2 |  | HW18 x1 |  |
| HW15 x2 |  | HW21 x4 |  |

25



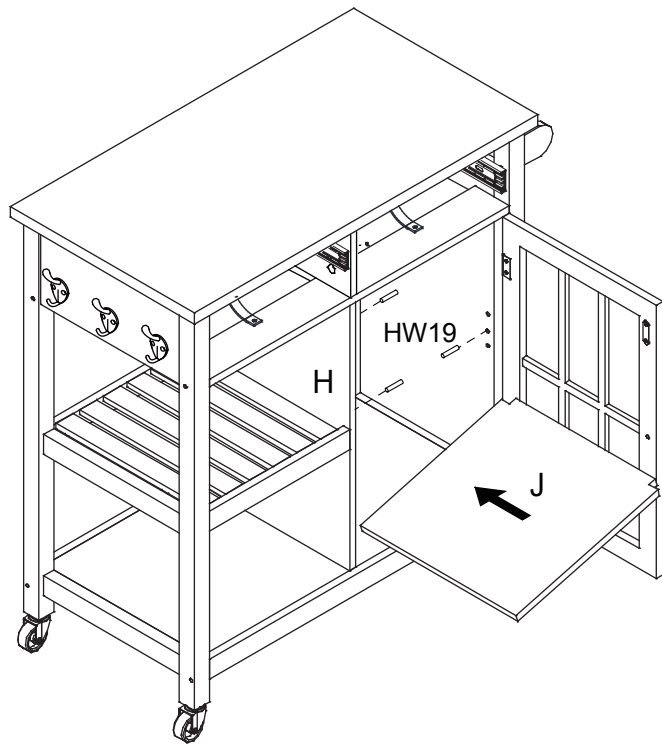
| | |
|------------|---------------------------------------------------------------------------------------|
| HW9 x1 |  |
| HW10 x1 |  |
| HW21 x4 |  |


PREPARATION

Before beginning assembly of product, make sure all parts are present. Compare parts with package contents list. If any part is missing or damaged, do not attempt to assemble the product.

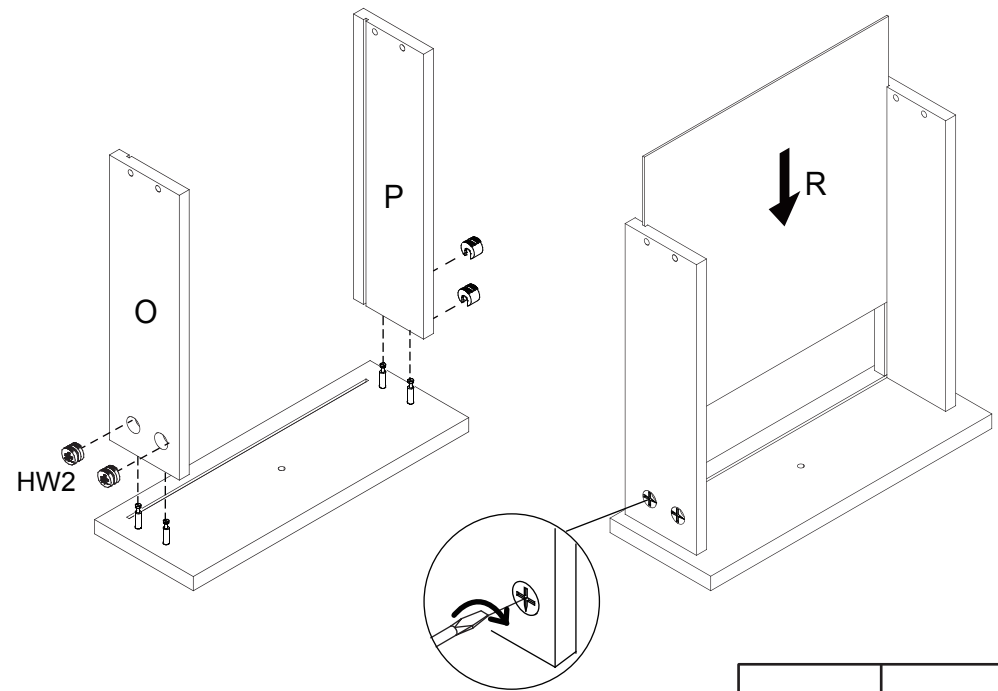
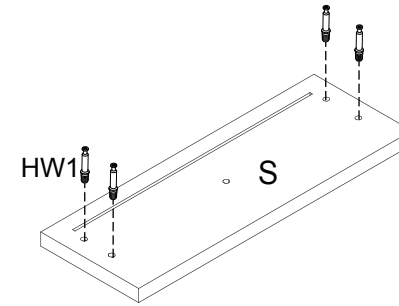
Estimated Assembly Time: 15 minutes.

26





| | |
|------------|--------------------------------------------------------------------------------------|
| HW19 x4 |  |
|------------|--------------------------------------------------------------------------------------|

27



x2

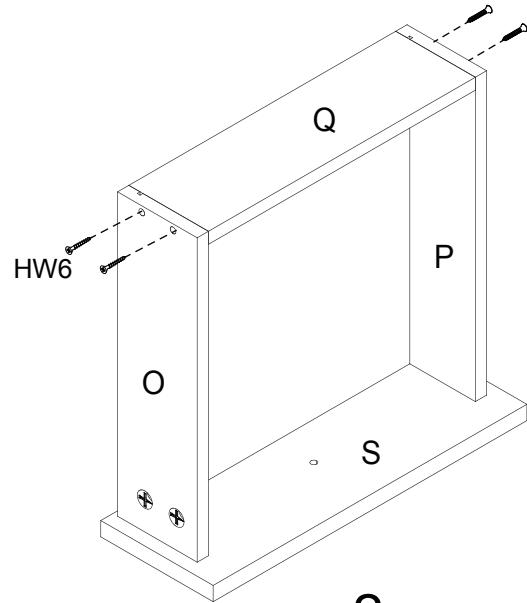
| | |
|-----------|---------------------------------------------------------------------------------------|
| HW1 x8 |  |
| HW2 x8 |  |

PREPARATION


Before beginning assembly of product, make sure all parts are present. Compare parts with package contents list. If any part is missing or damaged, do not attempt to assemble the product.

EstimatedAssemblyTime: 15 minutes.

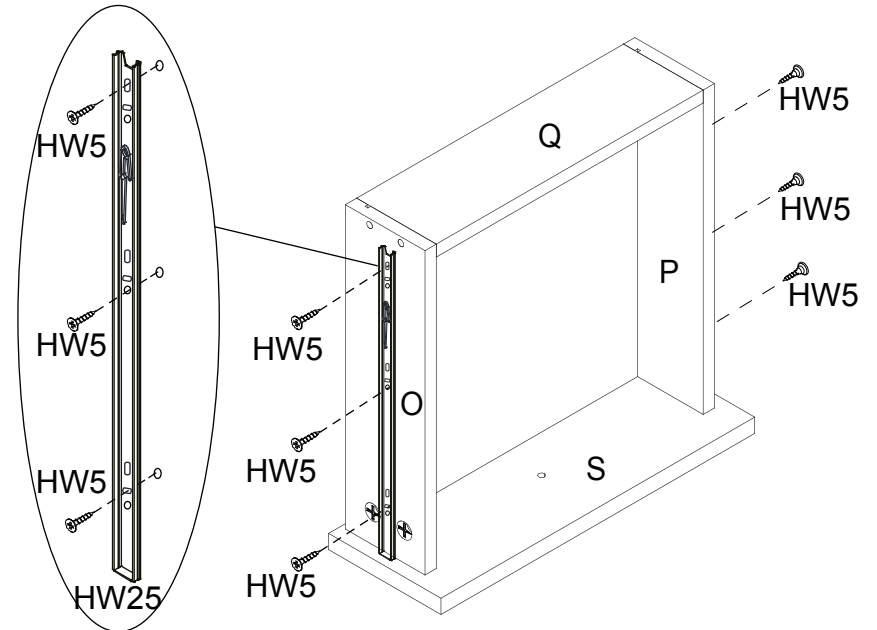
28



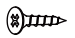

x2

| | |
|-----------|--------------------------------------------------------------------------------------|
| HW6 x8 |  |
|-----------|--------------------------------------------------------------------------------------|

29



x2

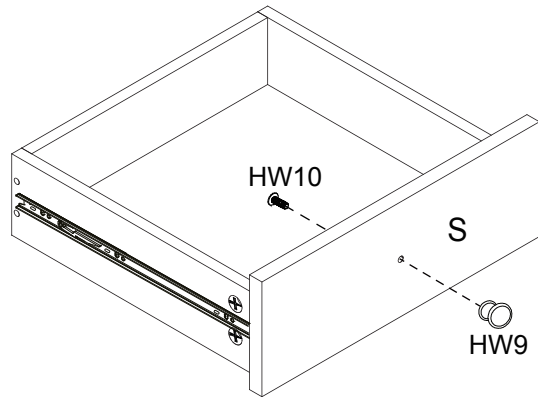
| | |
|------------|---------------------------------------------------------------------------------------|
| HW5 x12 |  |
| HW25 x4 |  |

PREPARATION

Before beginning assembly of product, make sure all parts are present. Compare parts with package contents list. If any part is missing or damaged, do not attempt to assemble the product.

Estimated Assembly Time: 15 minutes.

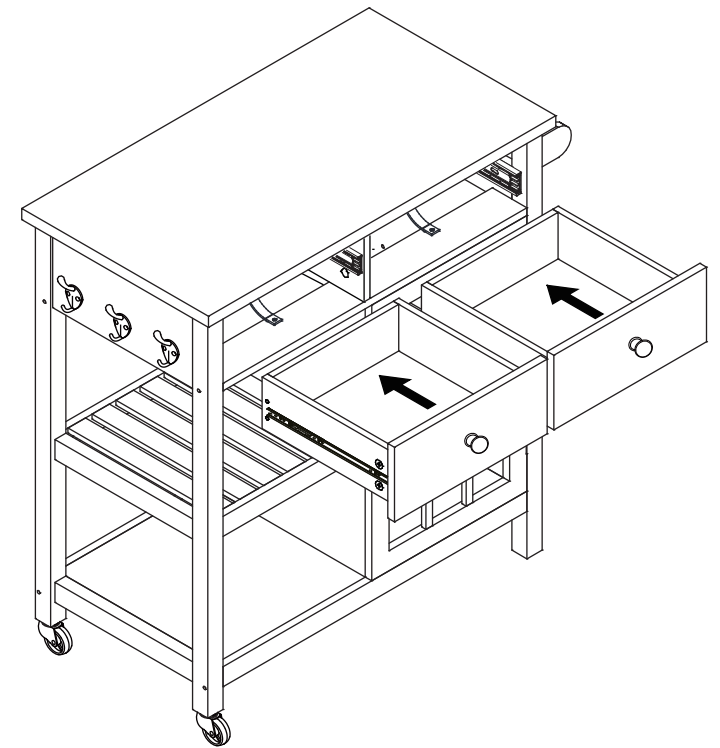
30



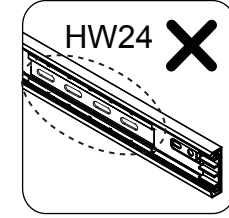
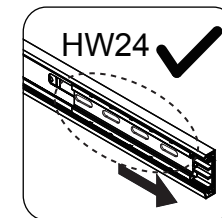
x2

| | |
|------------|--|
| HW9 x2 | |
| HW10 x2 | |

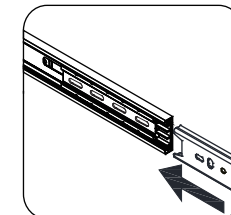
31



Insert the drawer into the assembled body as shown.



Slide bearings forward to the end.
(Don't insert when the part is in the middle)



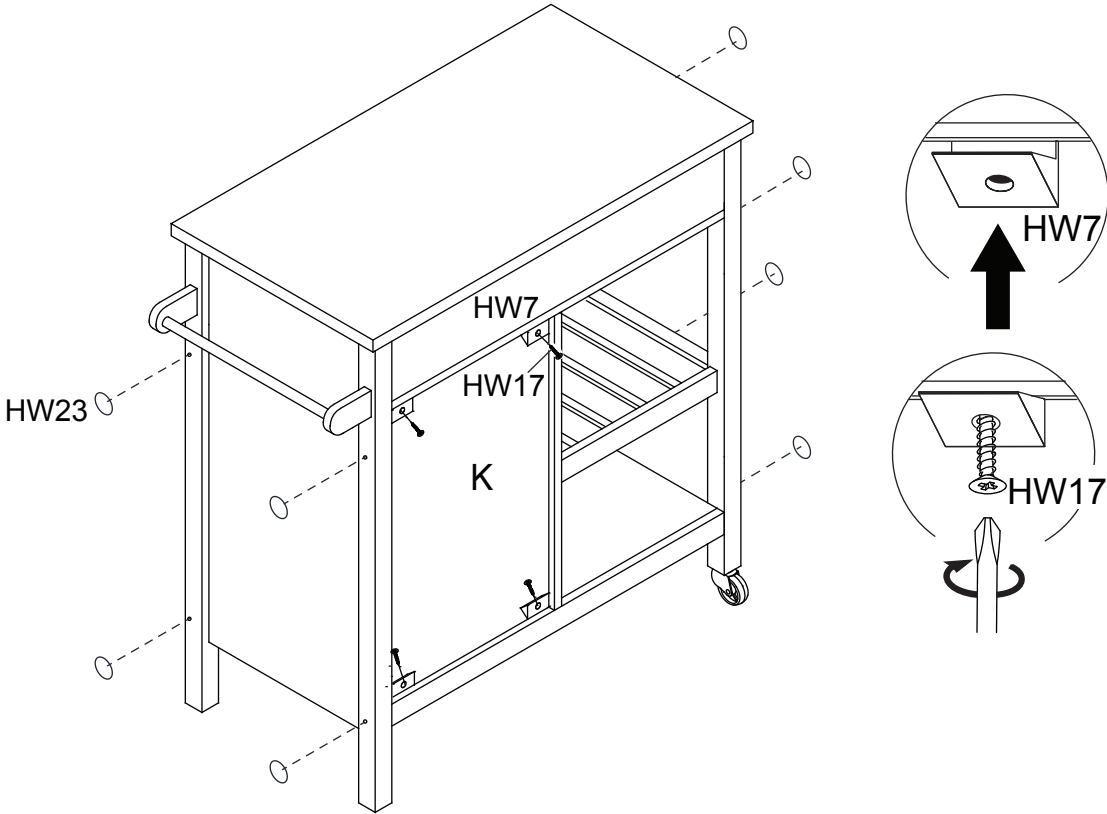
Before pushing in, make sure the 2 parts are connected in place.




PREPARATION

Before beginning assembly of product, make sure all parts are present. Compare parts with package contents list. If any part is missing or damaged, do not attempt to assemble the product.

EstimatedAssemblyTime: 15 minutes.

32



| | |
|------------|---------------------------------------------------------------------------------------|
| HW7 x4 |  |
| HW17 x4 |  |
| HW23 x8 |  |

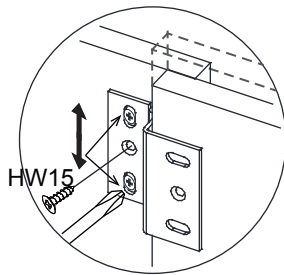
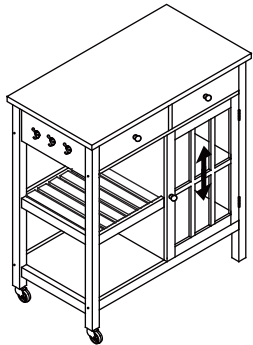
PREPARATION

Before beginning assembly of product, make sure all parts are present. Compare parts with package contents list. If any part is missing or damaged, do not attempt to assemble the product.

EstimatedAssemblyTime: 15 minutes.

NOTE:

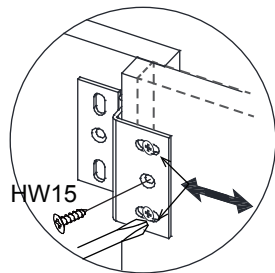
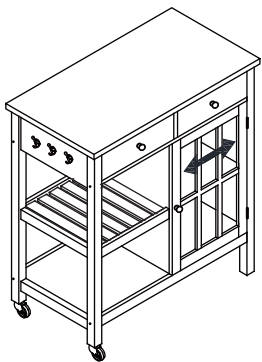
Attention: If the doors may shift or sag after assembly, please adjust the hinges according to below instruction.



Vertically adjustment

Slightly adjust the screws position on side panels.

When the doors are flush, lock the middle screws on hinges.



Horizontally adjustment

Slightly adjust the screws position on doors.

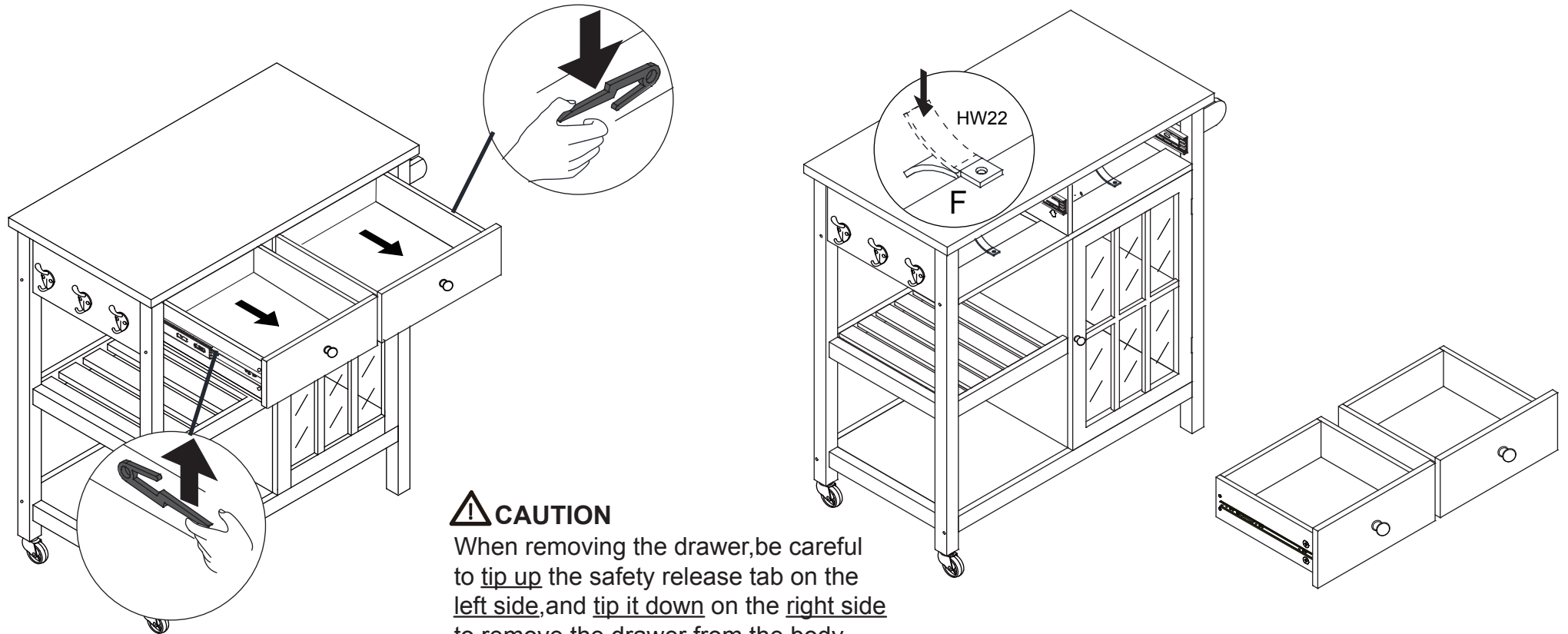
When the doors are flush, lock the middle screws on hinges.

PREPARATION

Before beginning assembly of product, make sure all parts are present. Compare parts with package contents list. If any part is missing or damaged, do not attempt to assemble the product.

EstimatedAssemblyTime: 15 minutes.

NOTE:



⚠ CAUTION

When removing the drawer, be careful to tip up the safety release tab on the left side, and tip it down on the right side to remove the drawer from the body as shown.