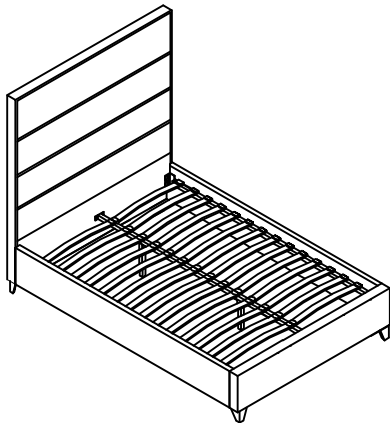
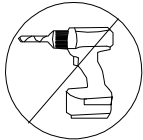


ASSEMBLY INSTRUCTIONS

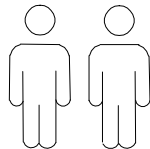
BED - FULL



+ Do Not Use Power Tools



+ Suggested Adults



NOTE:

- 1 Read instructions cover to cover.
- 2 Save all packaging until assembly is completed.

1 IMPORTANT SAFETY INFORMATION

Do not assemble the product if any of the following parts arrived damaged:

- Part #③ -Side Rails
- Part #⑤ -Center Support Bar
- Part #⑥ -Support Legs
- Part #⑦ -Slats

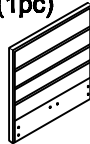
2 IMPORTANT ASSEMBLY INFORMATION

Assembly Step ③ Ensure the side rail bracket is fully hooked onto bolt A loosely threaded with both washers on the OUTSIDE of the bracket first, then proceed to fully tightening all 4 corners.

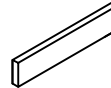
Assembly Step ④ When installing slats, ensure that the curve is facing upwards. (↖) (↘)
*Slats come packed in the bottom of headboard carton.

+ Parts Included

① Head Board (1pc)



② Foot Board (1pc)



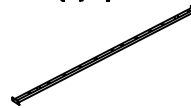
③ Side Rails (2pcs)



④ Double Plastic cap (14pcs)



⑤ Center Support Bar (1pc)



⑥ Support Legs (2pcs)



⑦ Slats (28pcs)



⑧ Single Plastic cap (28pcs)



⑨ Legs (4pcs)



*Slats come packed in the bottom of headboard carton.

+ Hardware Included

A Bolt M8*30mm (16pcs)



B Bolt M6*25mm (8pcs)



C Spring Washer (8pcs)



E Flat Washer 20 (24pcs)



F M8 Allen Key (1pc)



G M4 Allen Key (1pc)



I Nut M8*13mm (4pcs)



J Spanner (1pc)



ASSEMBLY INSTRUCTIONS

BED - FULL

