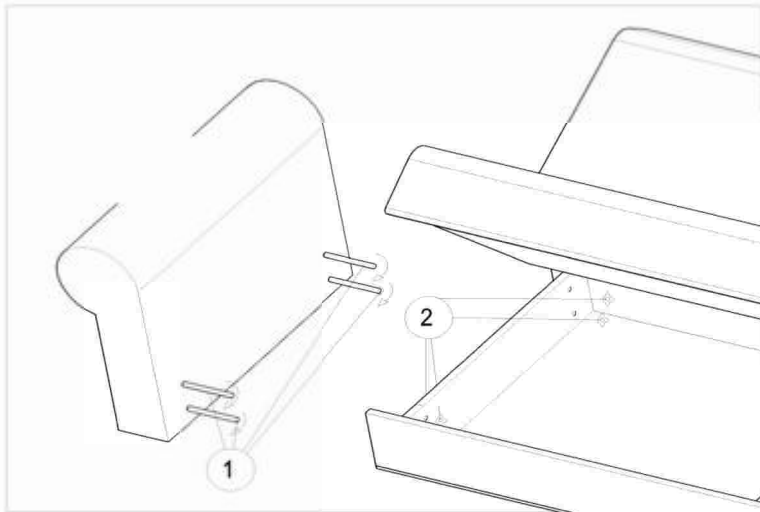
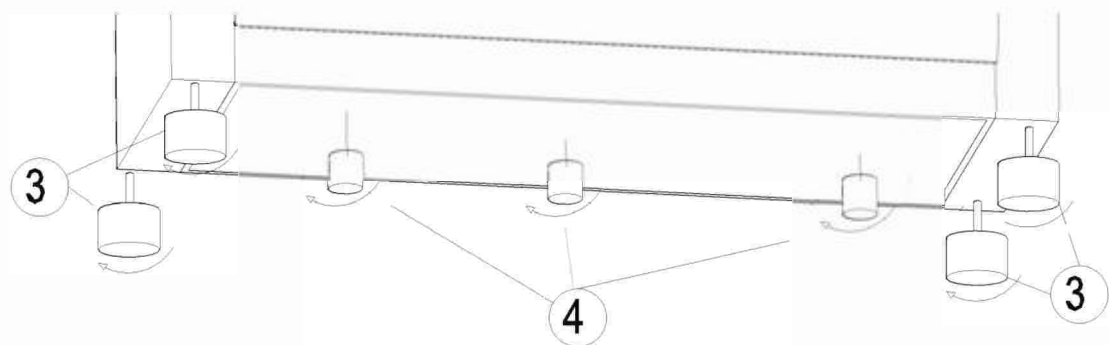


ASSEMBLY INSTRUCTION







A) Assembly of arm and base

- 1) Please assemble the connection parts (1) mutually.
- 2) Please pass them through into base holes.
- 3) Please assemble wing nuts (2) to connection parts (1).



B) Assembly of legs and sofa

- 1) Please turn the legs (3) clockwise until it has been completely screwed. ****Holes may be covered by fabric****
- 2) Please put middle legs (4) into their spots and turn them clockwise.

 Step 1 CONNECTION APPARATUS X8	 Step 2 WING NUT X8	 Step 3 LEG X4 Chrome Finished Legs	 Step 4 MIDDLE LEG X3 Plastic Support Legs
--	---	--	--