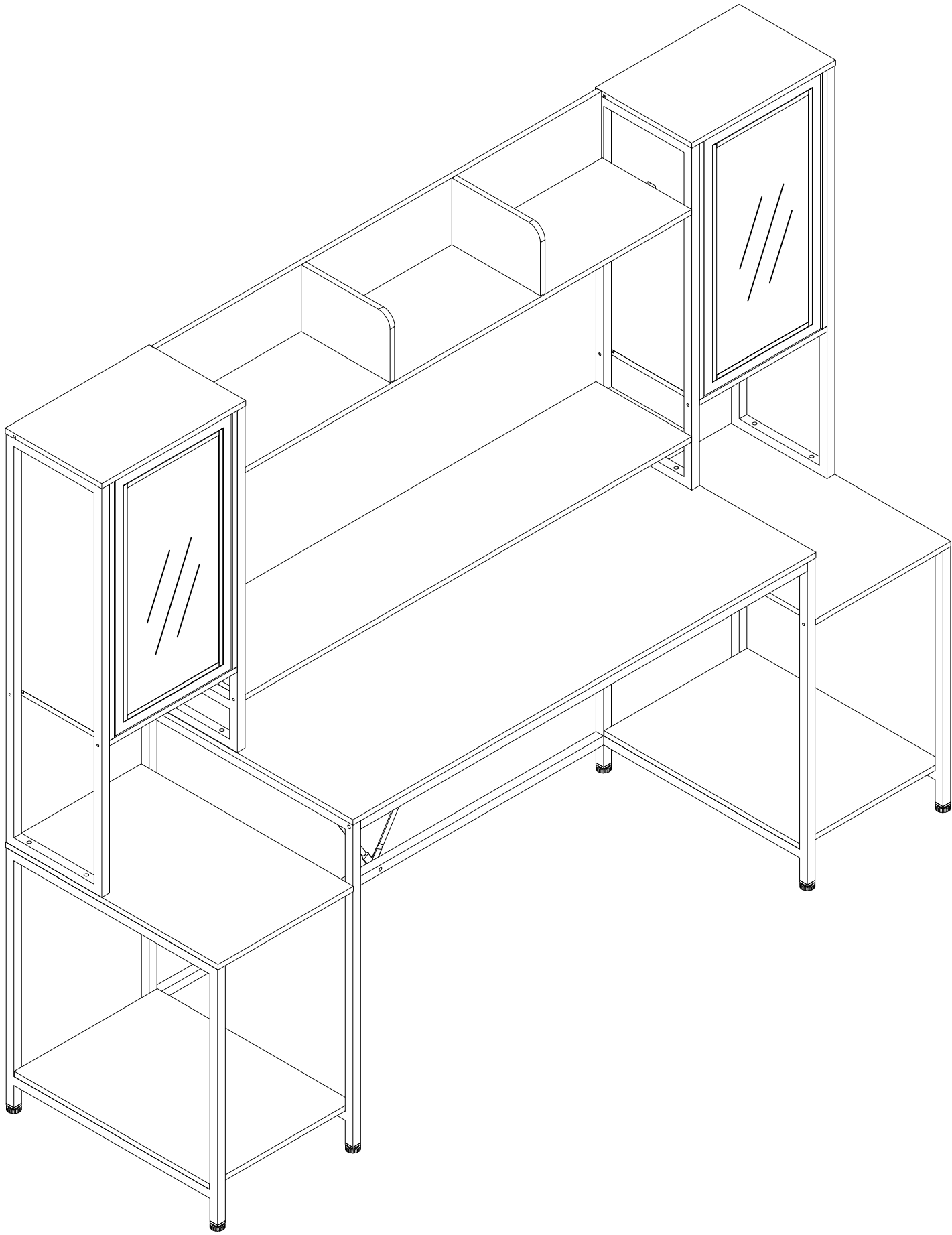
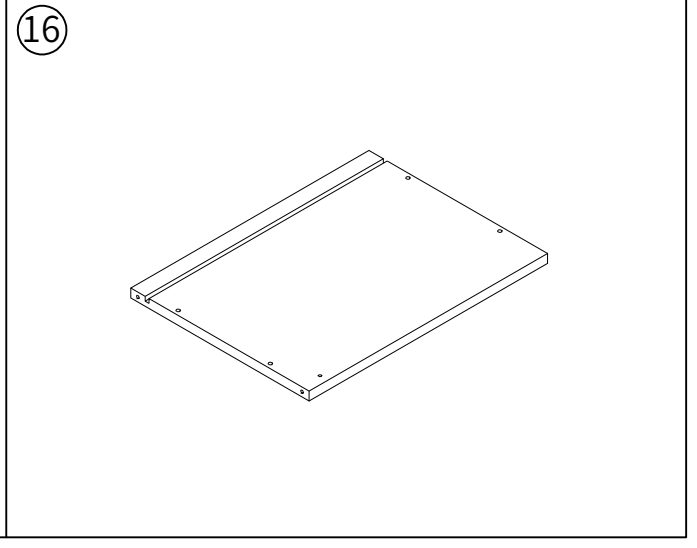
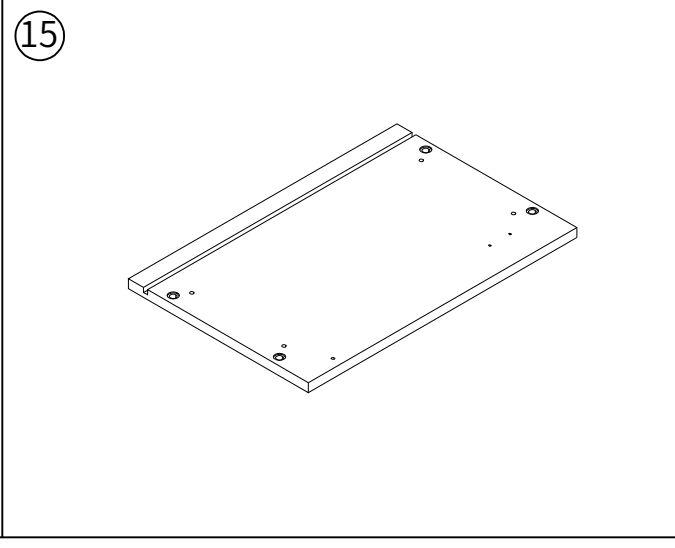
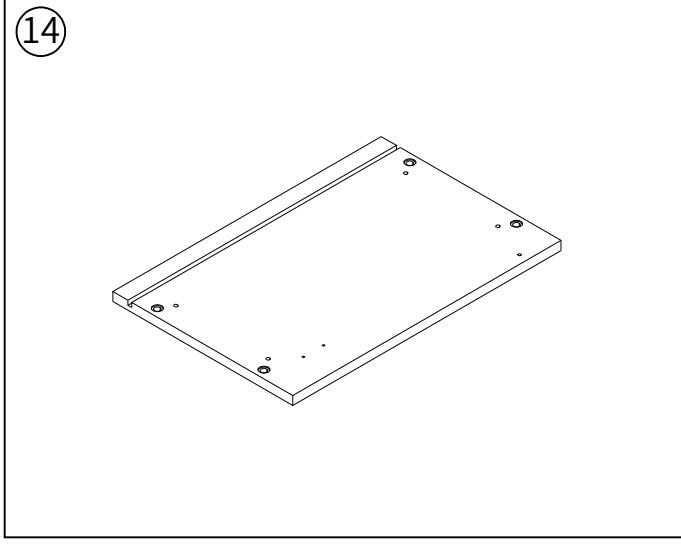
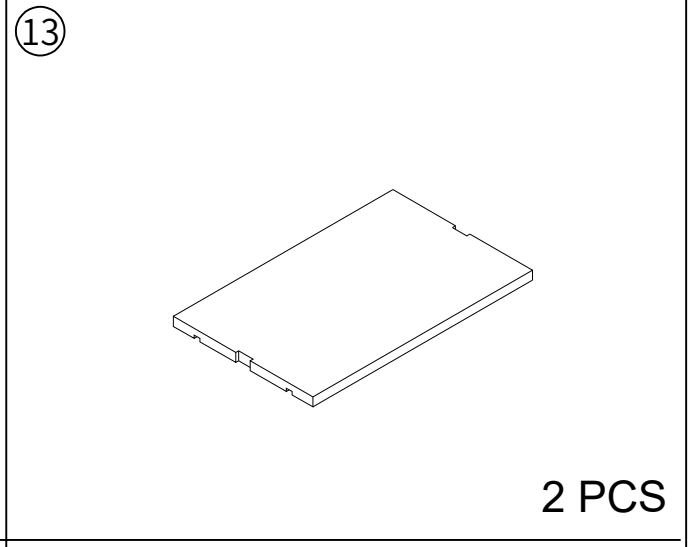
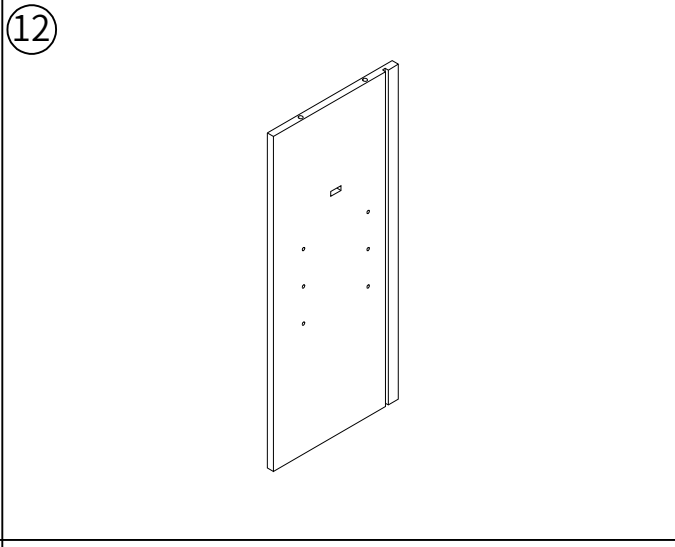
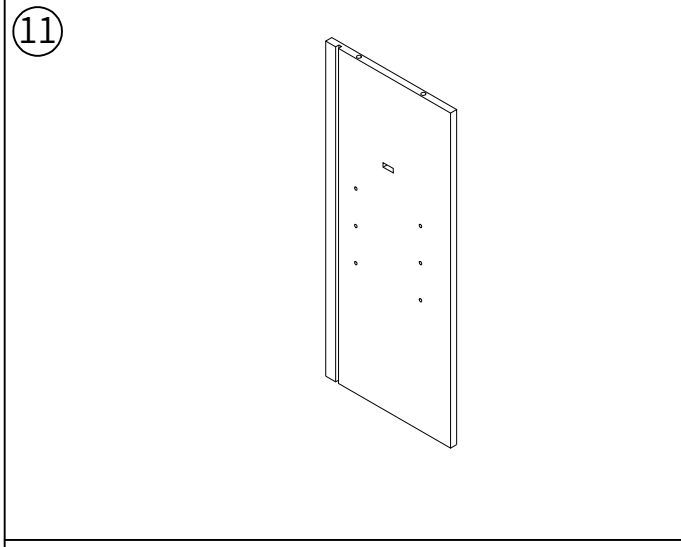
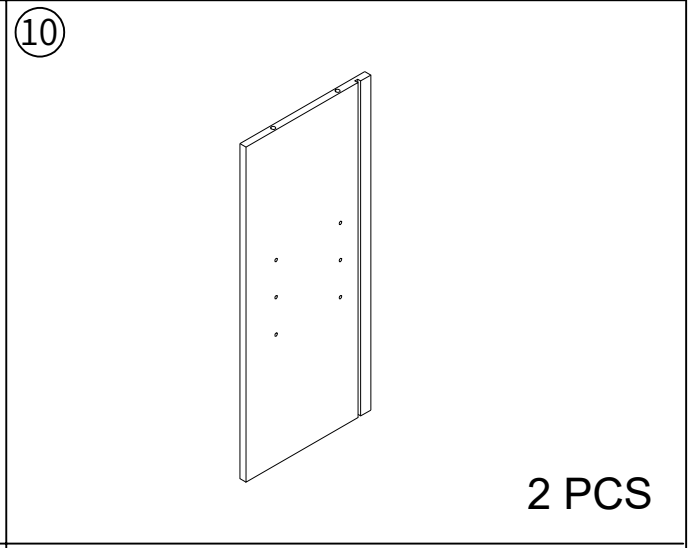
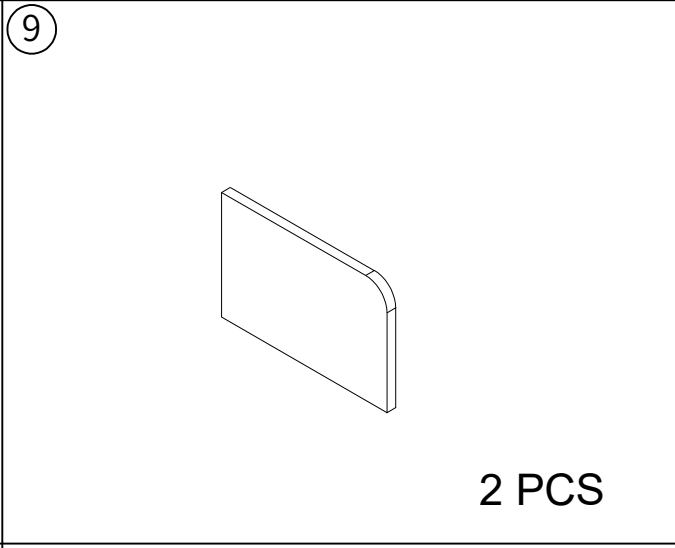
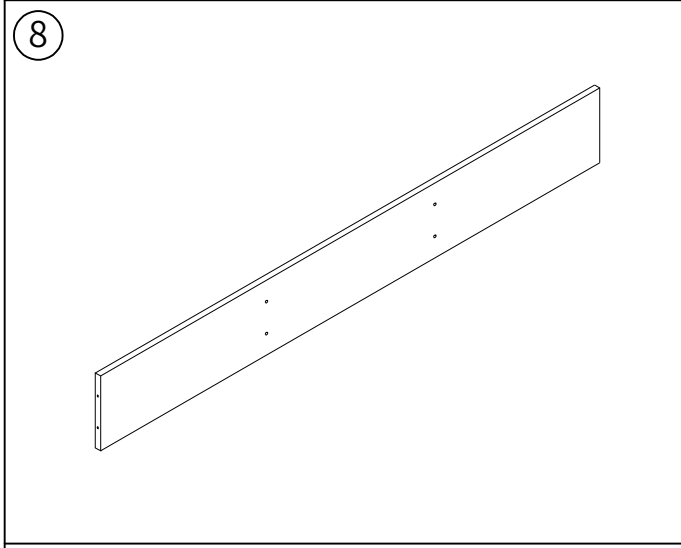
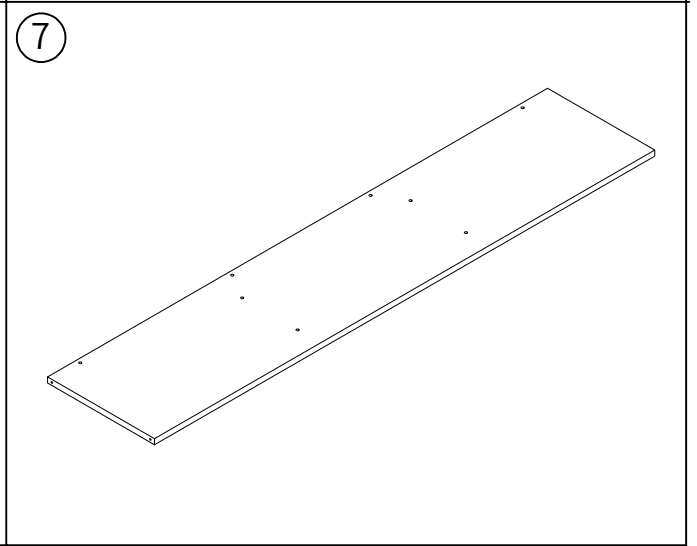
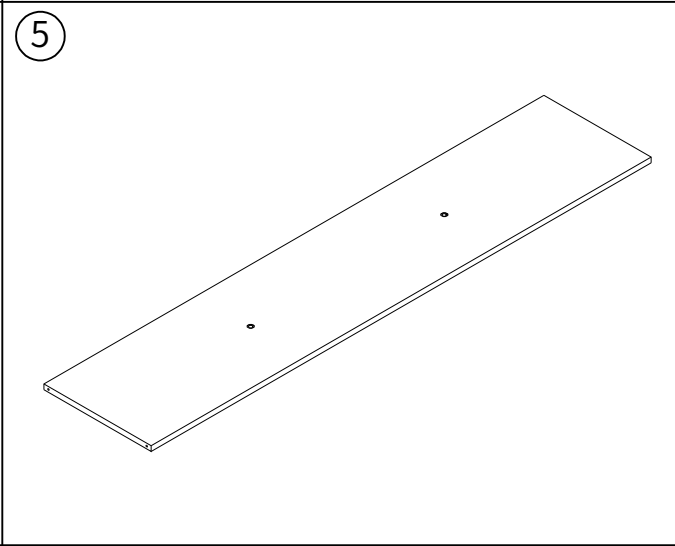
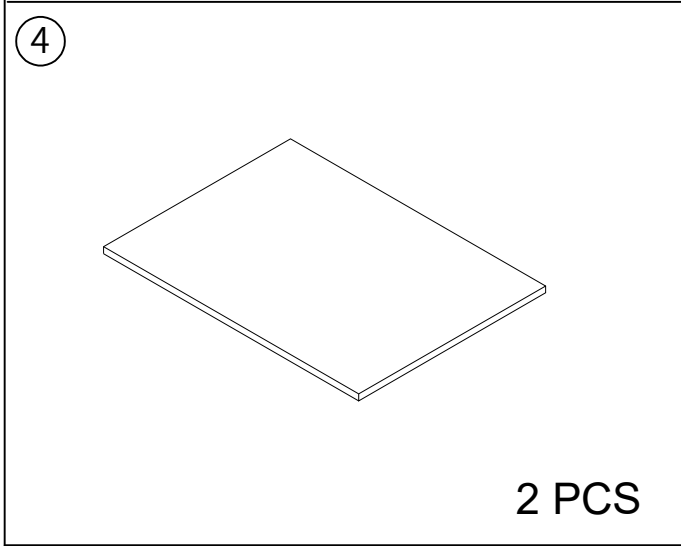
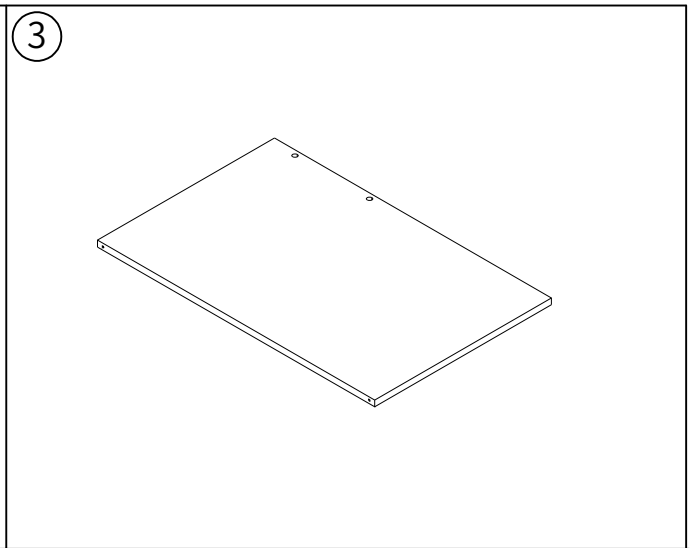
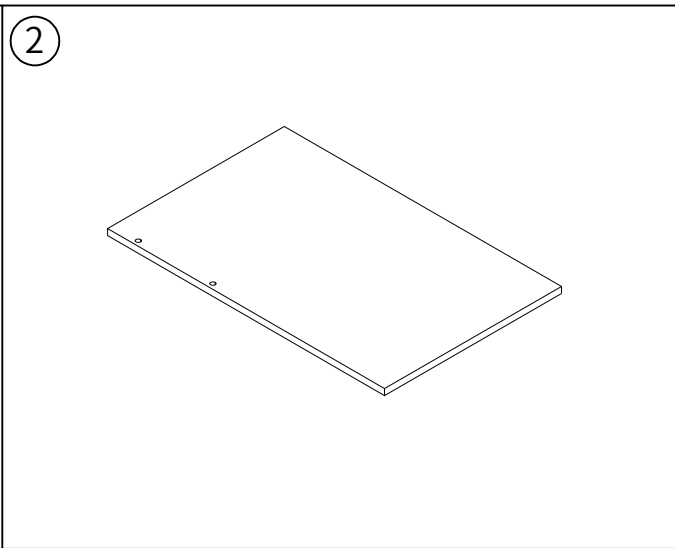
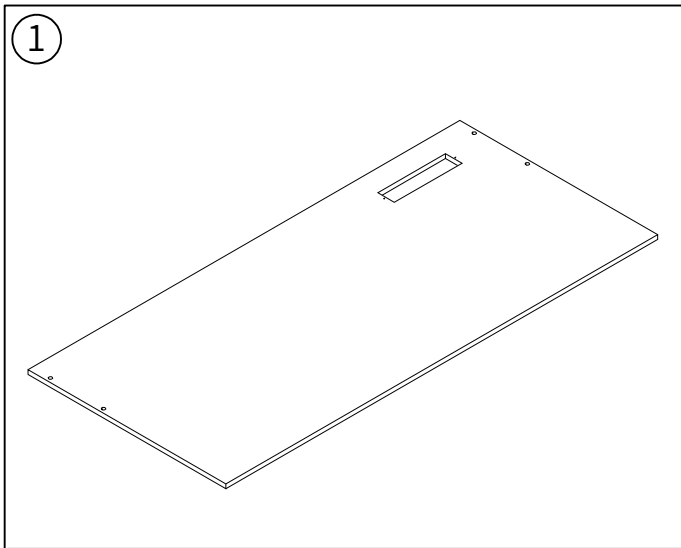
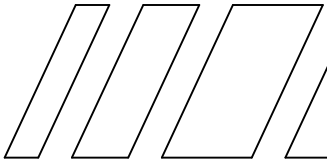
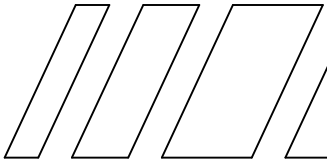
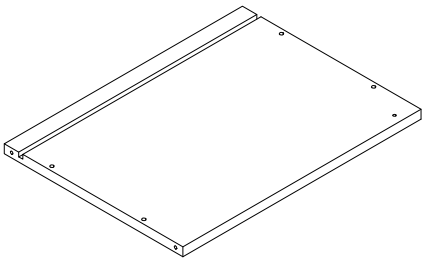
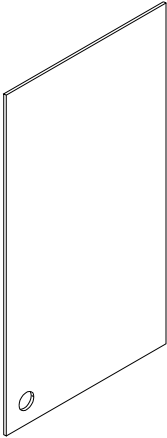
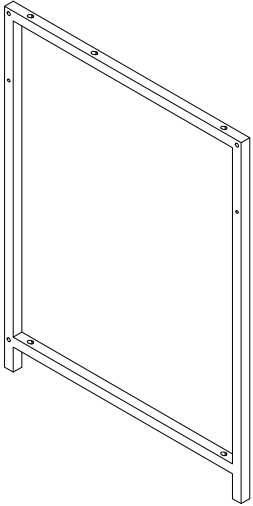
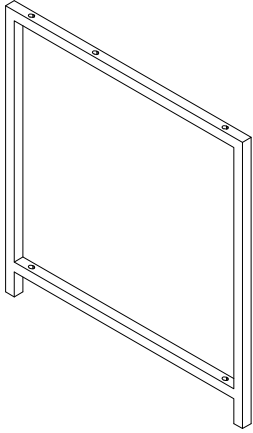
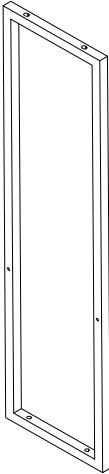
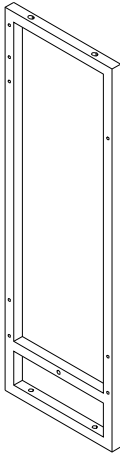
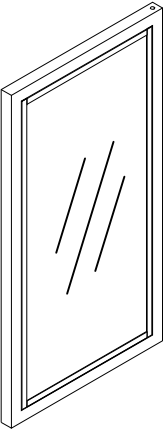
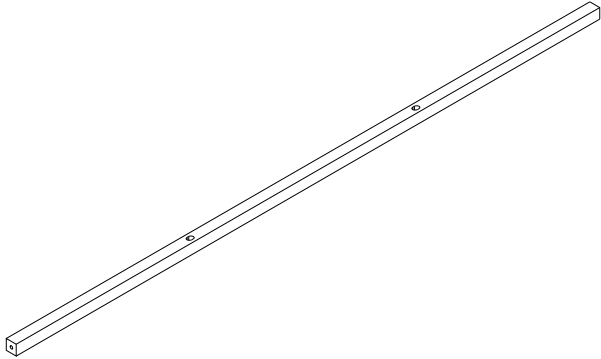
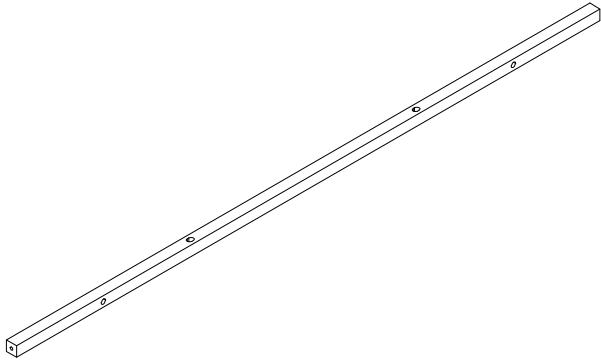
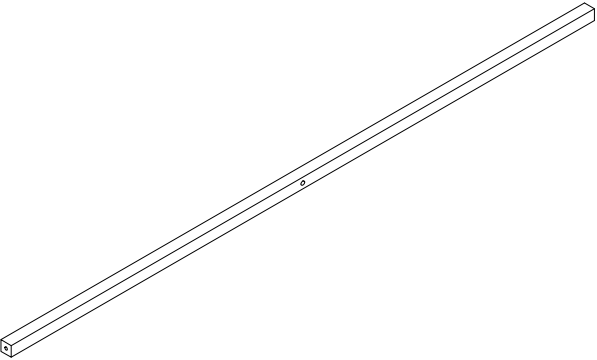
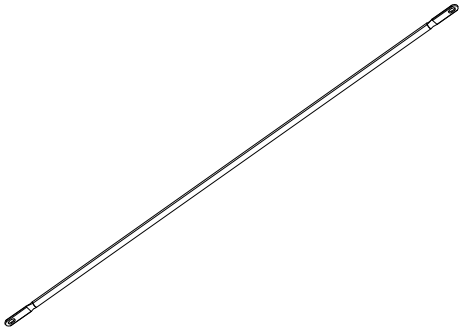
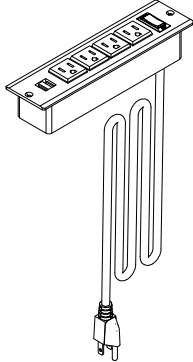
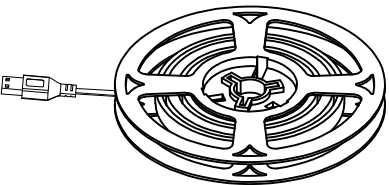


COMPUTER DESK

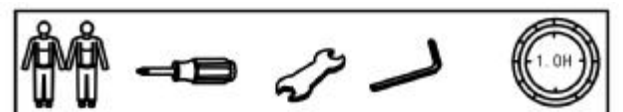
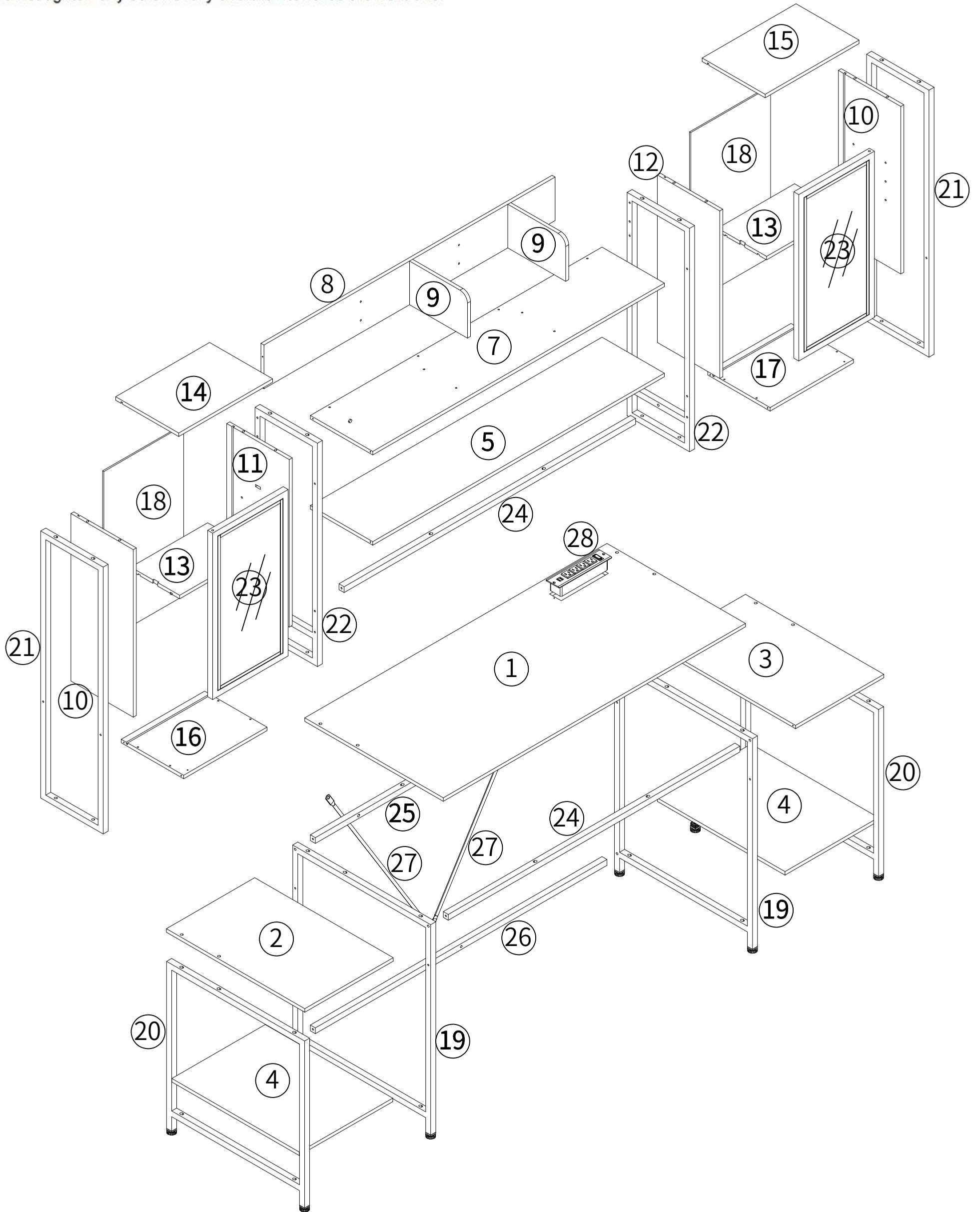


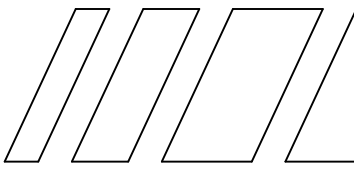


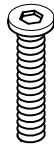
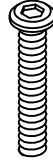



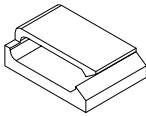
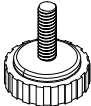
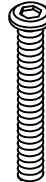
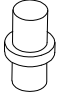

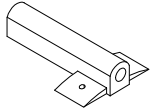
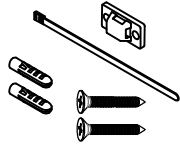


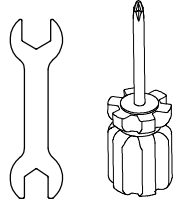


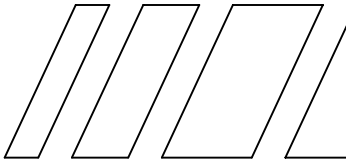
<p>17</p> 	<p>18</p>  <p>2 PCS</p>	<p>19</p>  <p>2 PCS</p>
<p>20</p>  <p>2 PCS</p>	<p>21</p>  <p>2 PCS</p>	<p>22</p>  <p>2 PCS</p>
<p>23</p>  <p>2 PCS</p>	<p>24</p>  <p>2 PCS</p>	<p>25</p>  <p>2 PCS</p>
<p>26</p>  <p>2 PCS</p>	<p>27</p>  <p>2 PCS</p>	<p>28</p> 
<p>29</p> 		

GAUTION: When tightening the screws, tighten sequentially.
Do not tighten any screws fully and then towards the next one.

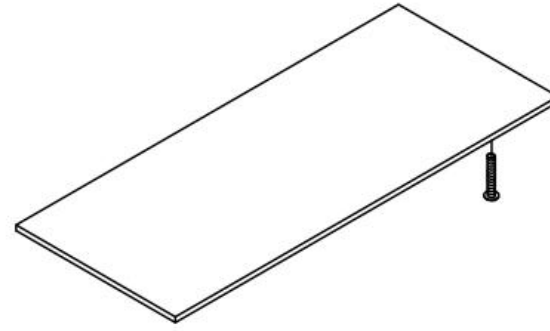




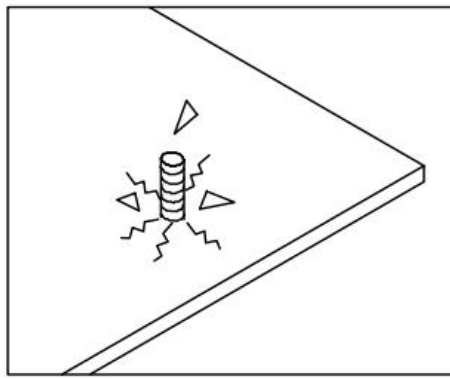
A M6X28  29 PCS	B M6X40  8 PCS	C M3.5X12  6 PCS	D M5X40  52 PCS	E M6  11 PCS
F  10 PCS	G M6  8 PCS	H M6X60  8 PCS	I Ø5  8 PCS	J  4 PCS
K  2 PCS	L  2 SETS	2.5# 	4# 	M6 



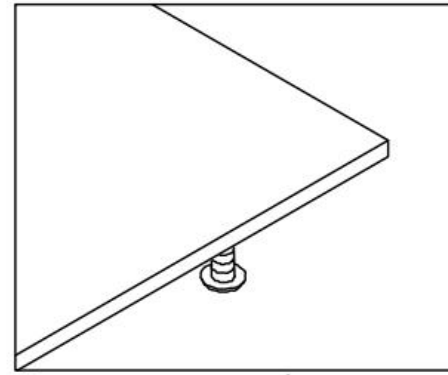
Matters needing attention



Be sure to use the proper screws to avoid damaging the parts



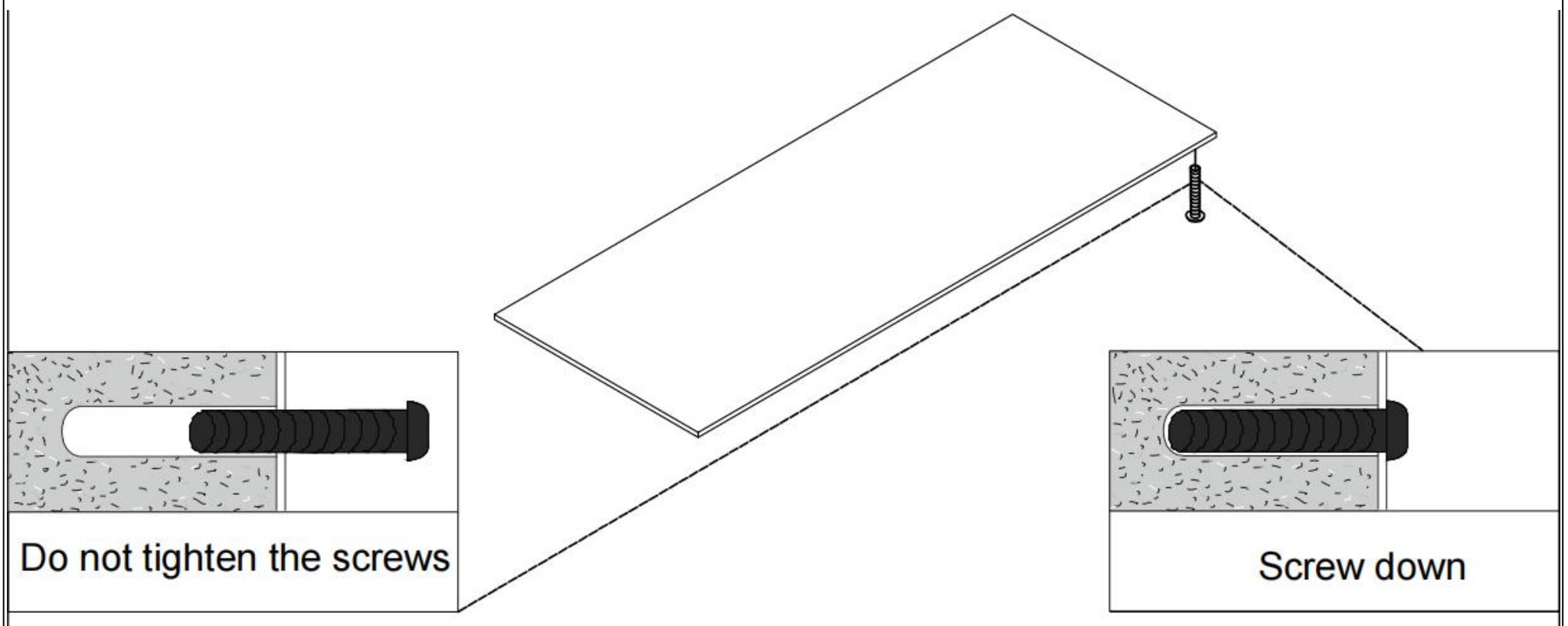
Wrong screws can cause the plank to crack

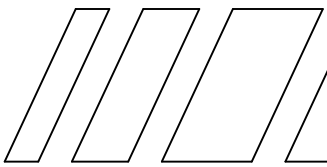


The right screw is the right size

Matters needing attention

- (1) When installing the screws in the installation step, the screws do not need to be tightened. After this installation step is confirmed and the holes are aligned, then tighten all the screws.
- (2) If the screws are tightened during the installation process, it will cause problems such as misalignment of the screw holes and misalignment of the board in subsequent installations.





1



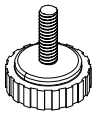
29



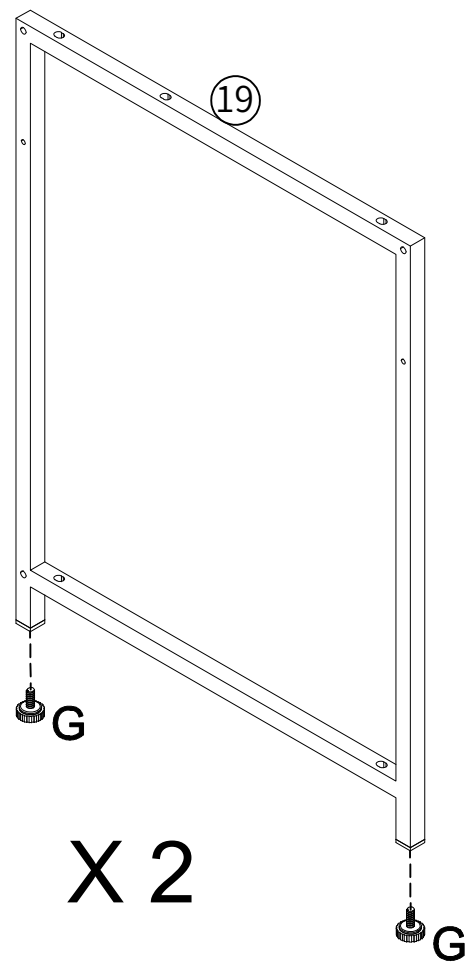
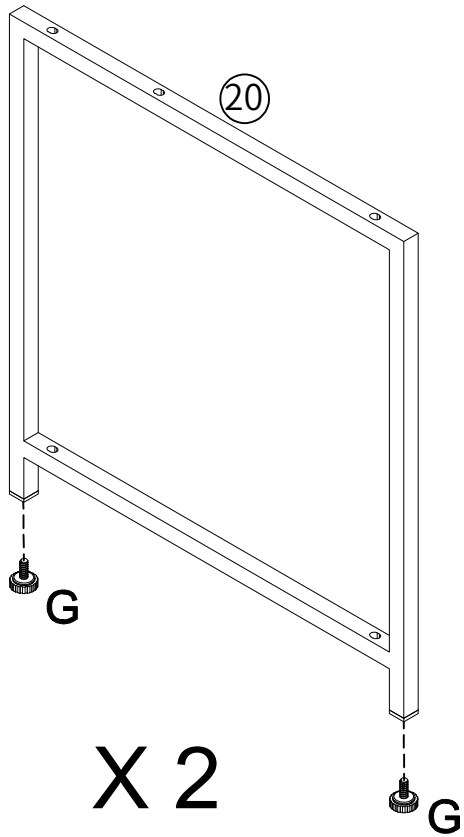
1 PC

2

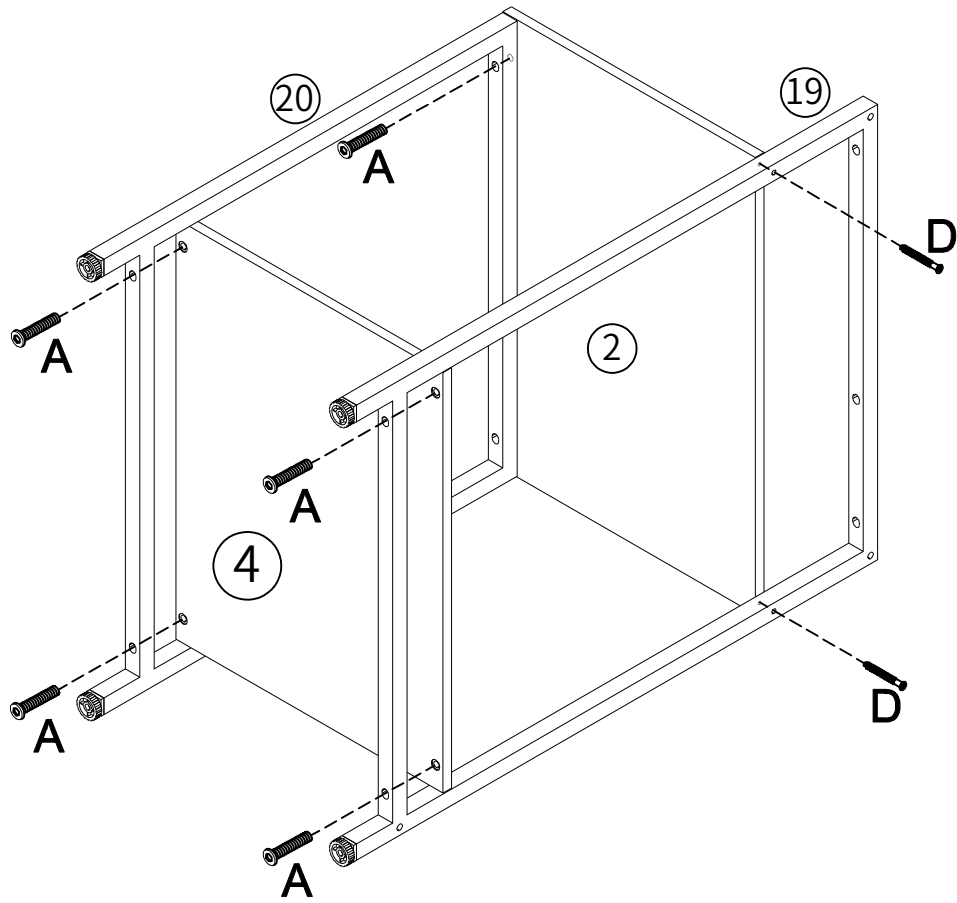
G



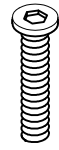
8 PCS



3

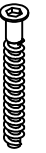


A M6X28



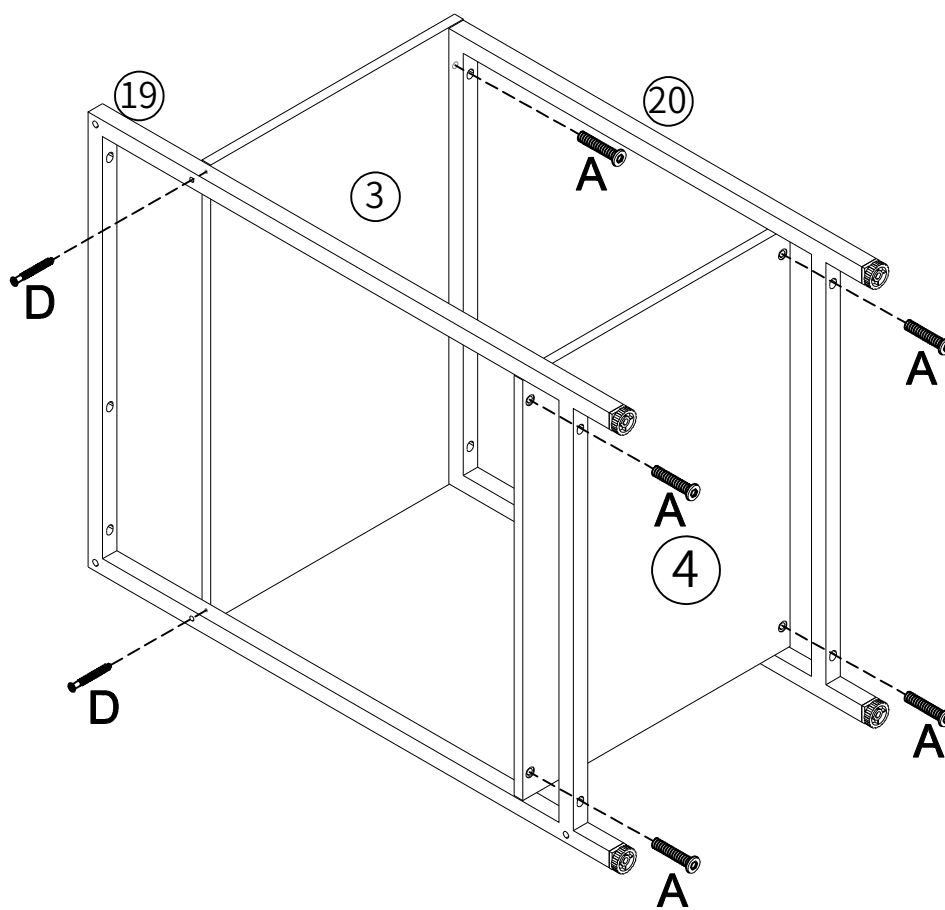
5 PCS

D M5X40

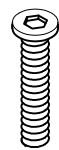


2 PCS

4



A M6X28

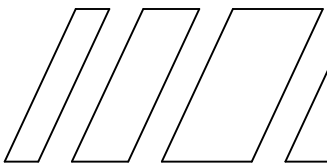


5 PCS

D M5X40



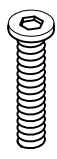
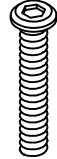

2 PCS

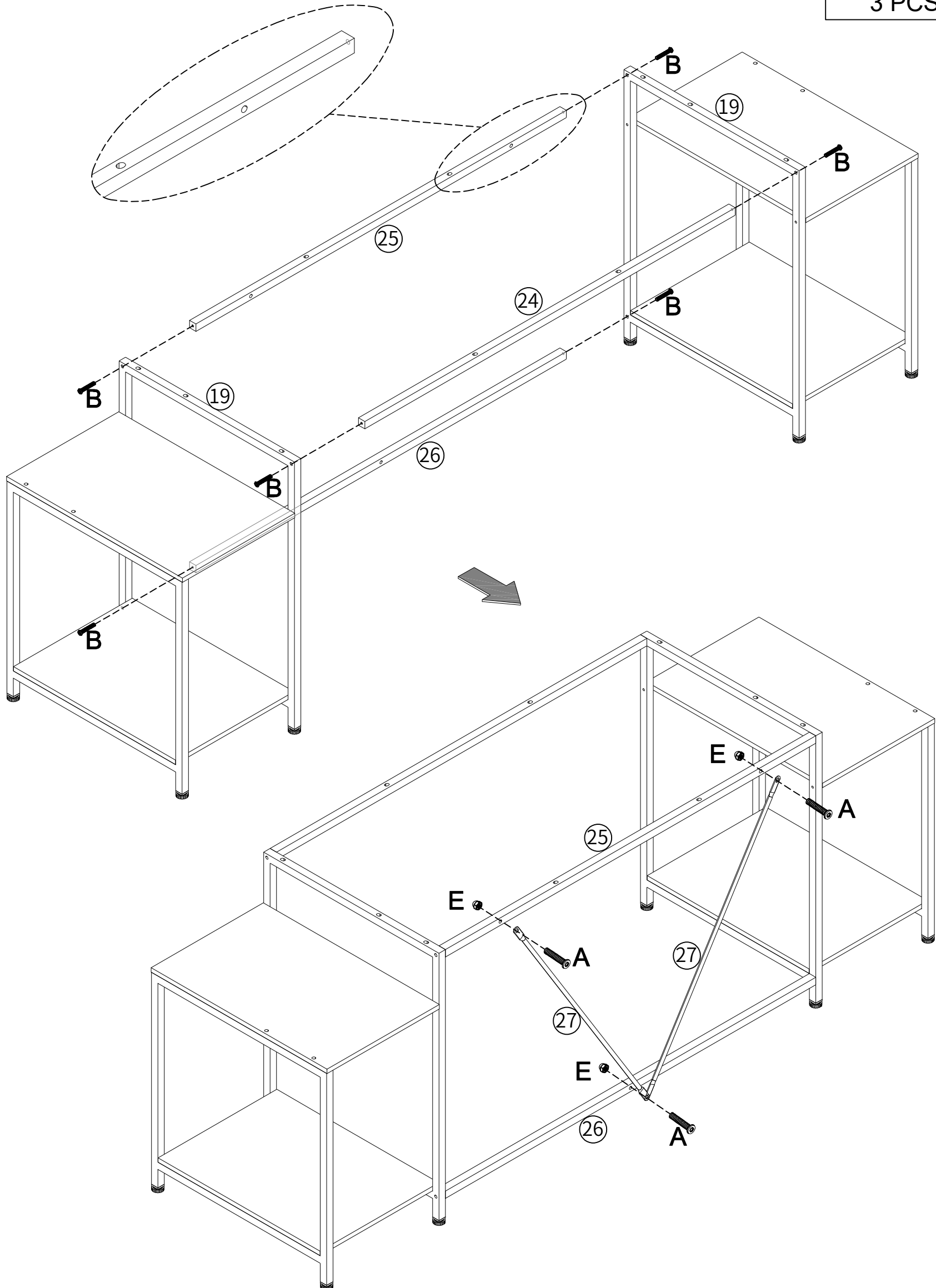


5

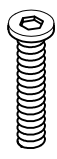



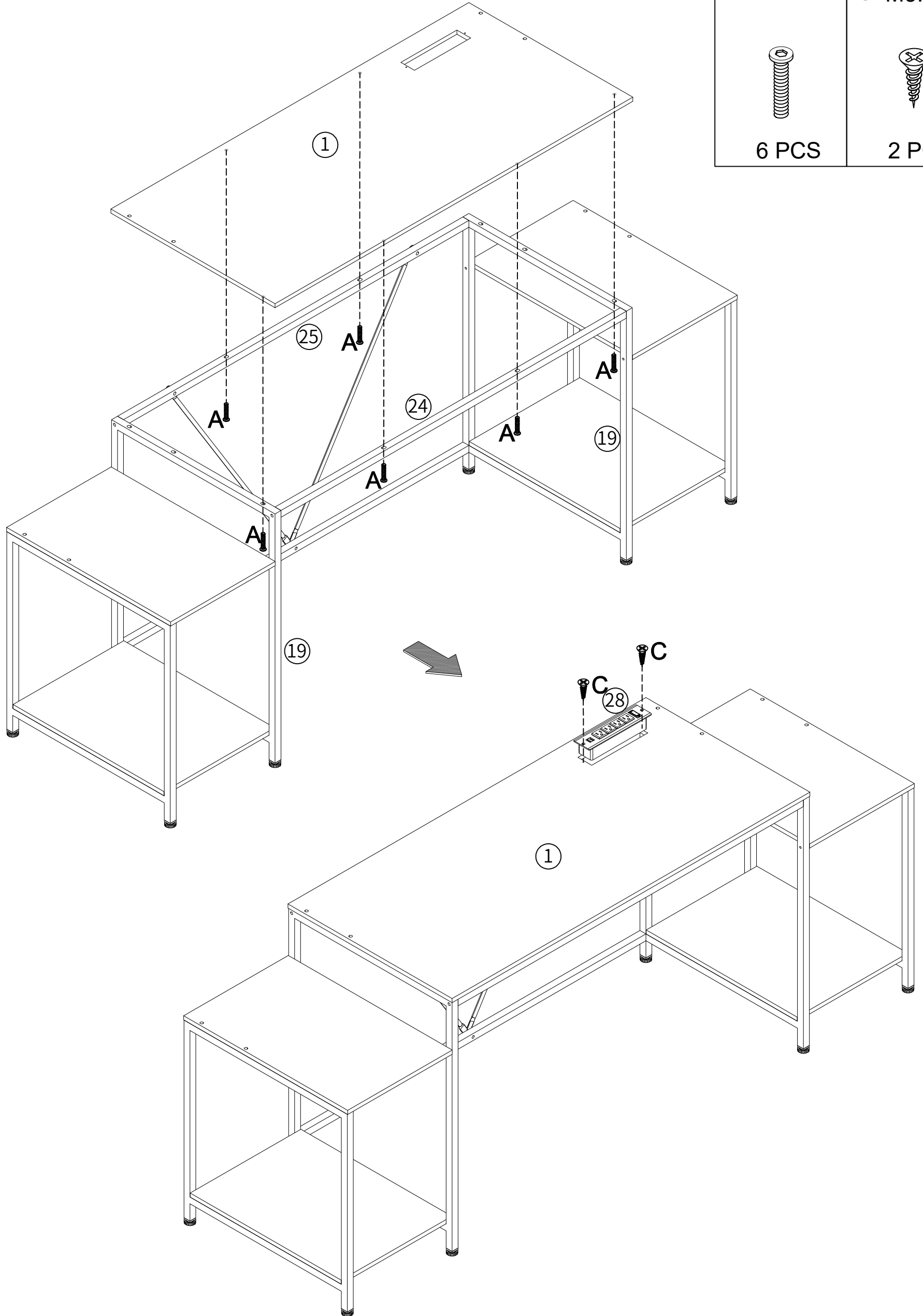
Pay attention to hole position

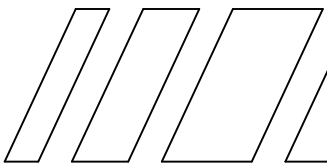
A M6X28  3 PCS	B M6X40  6 PCS
E M6  3 PCS	



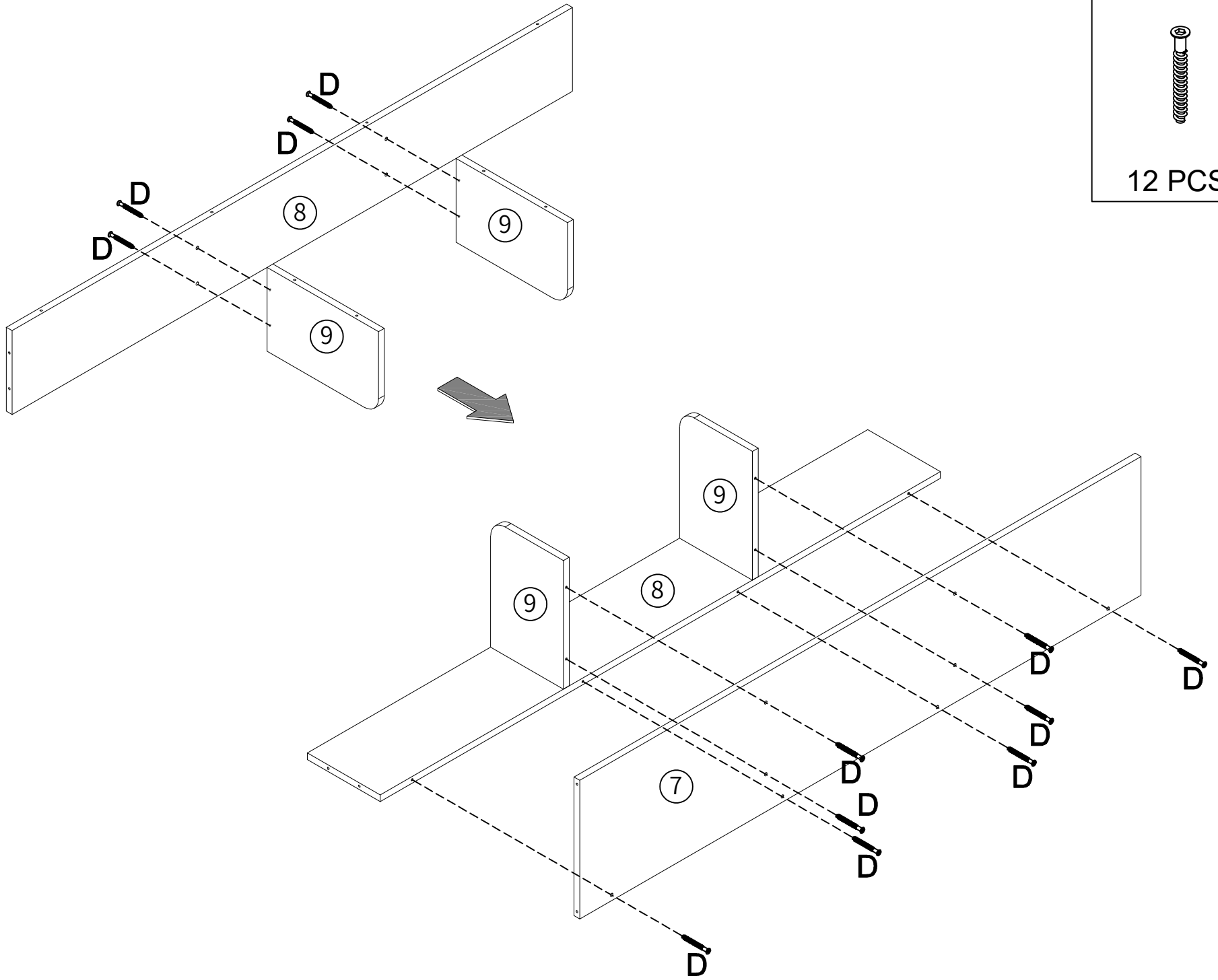
6

A M6X28	C M3.5X12
	
6 PCS	2 PCS





7

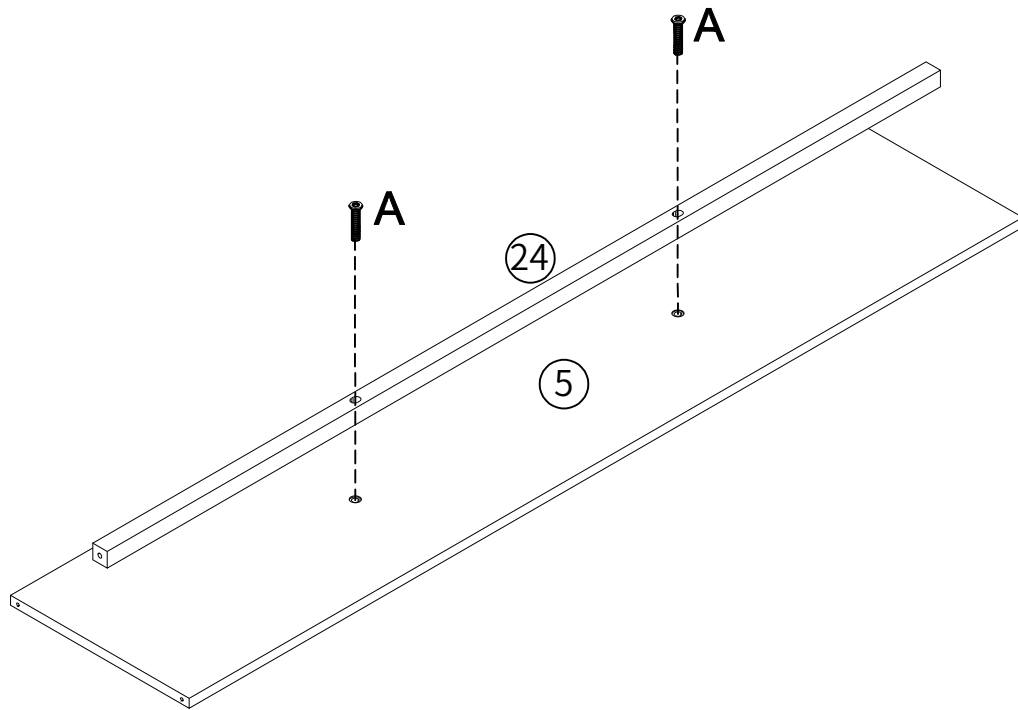


D M5X40

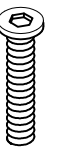


12 PCS

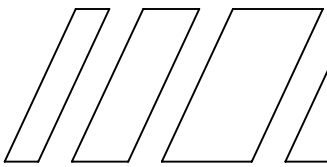
8



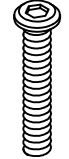
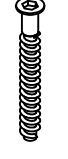
A M6X28

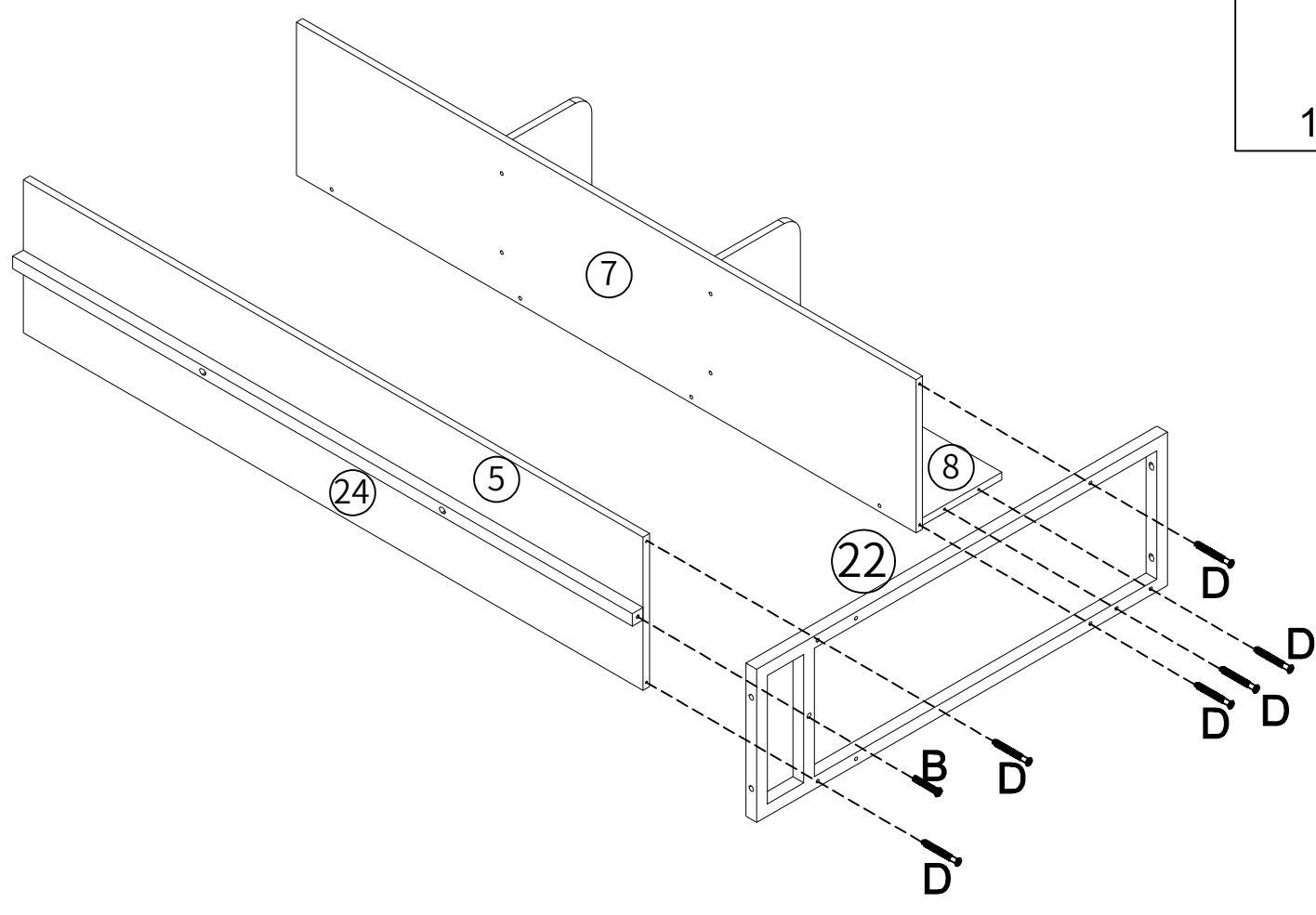


2 PCS

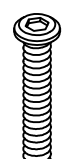



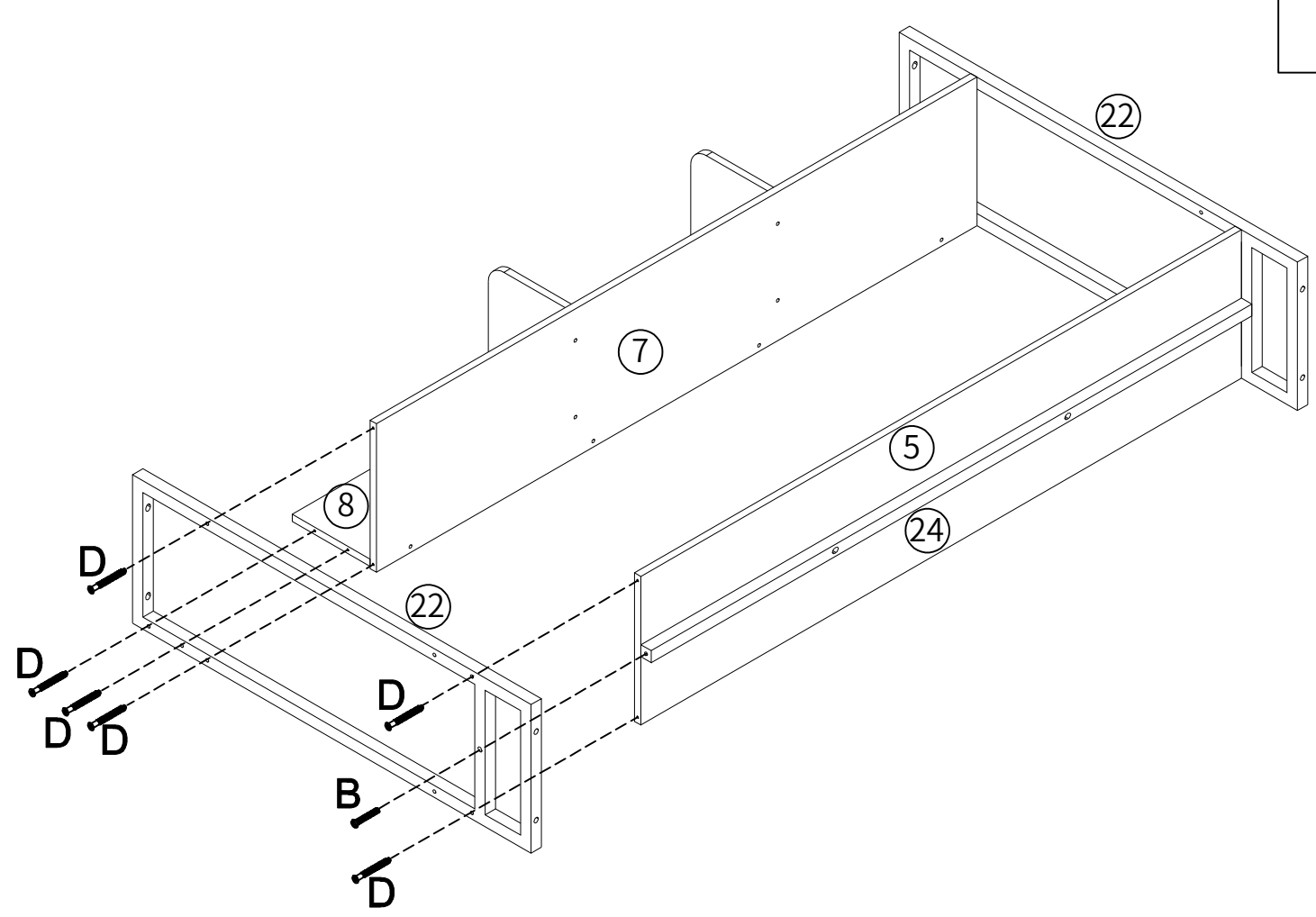
9

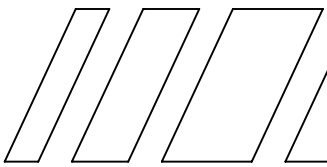
B M6X40	D M5X40
	
1 PCS	6 PCS



10

B M6X40	D M5X40
	
1 PCS	6 PCS

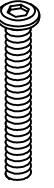




11

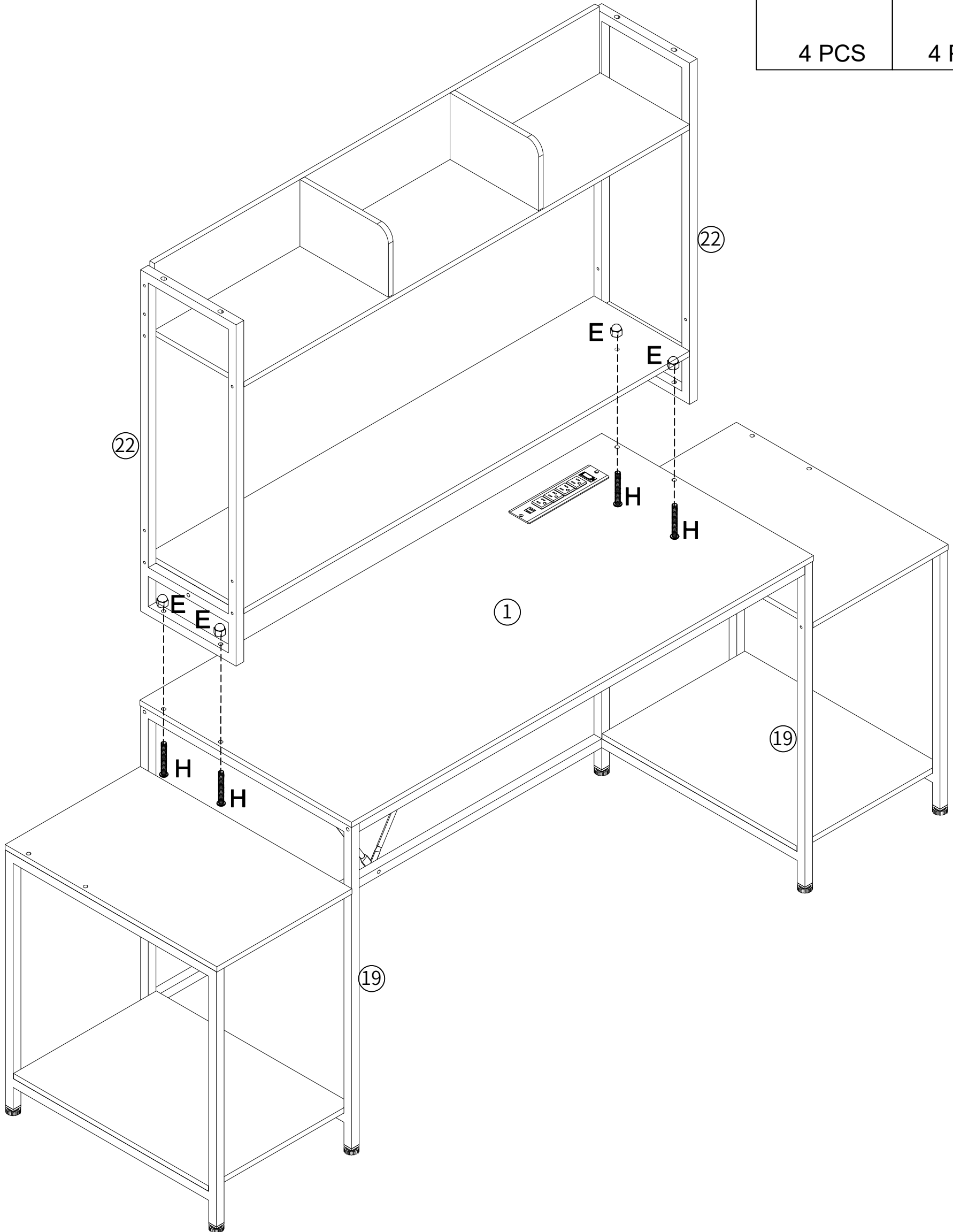
E M6

H M6X60



4 PCS

4 PCS



12

E M6

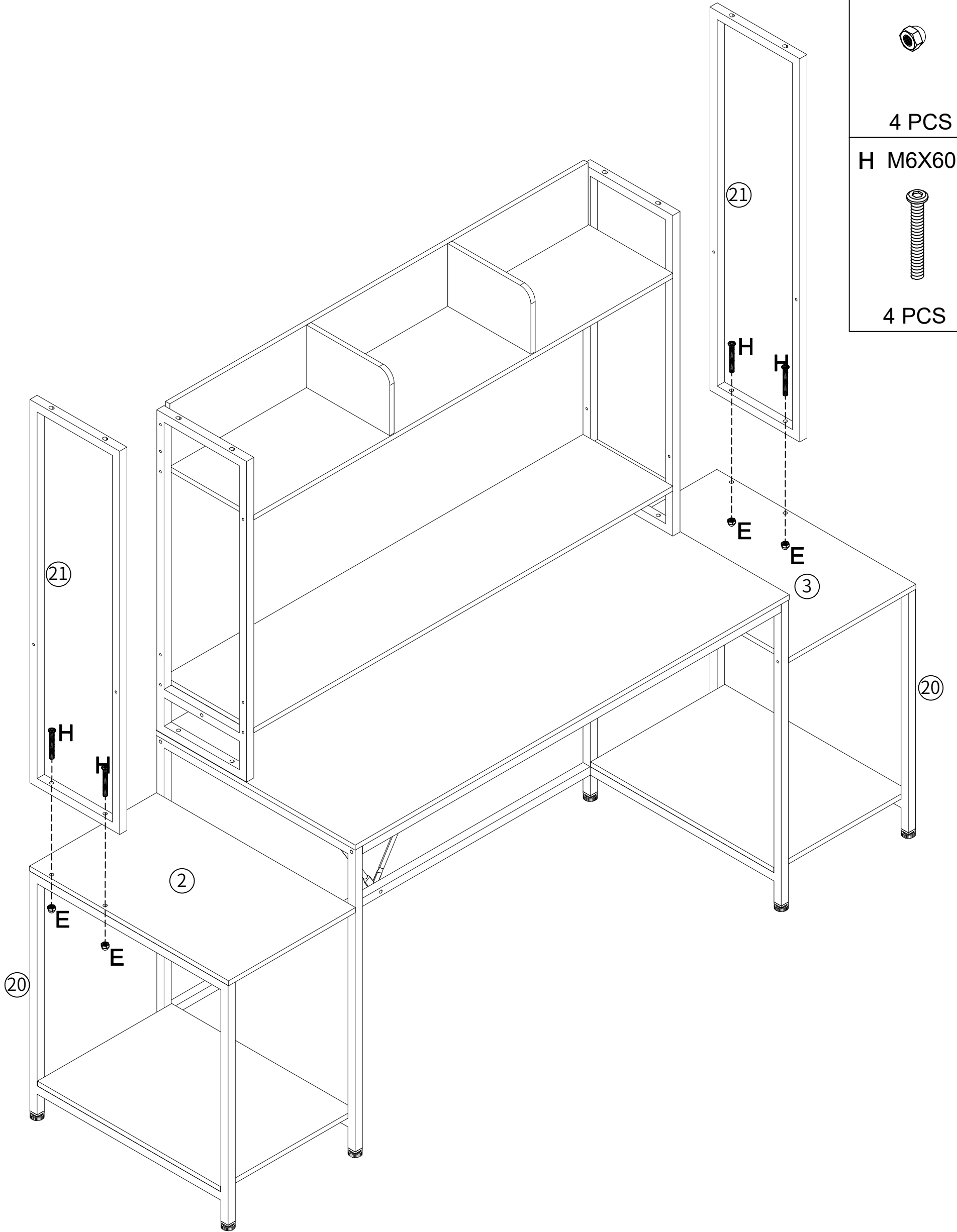


4 PCS

H M6X60



4 PCS

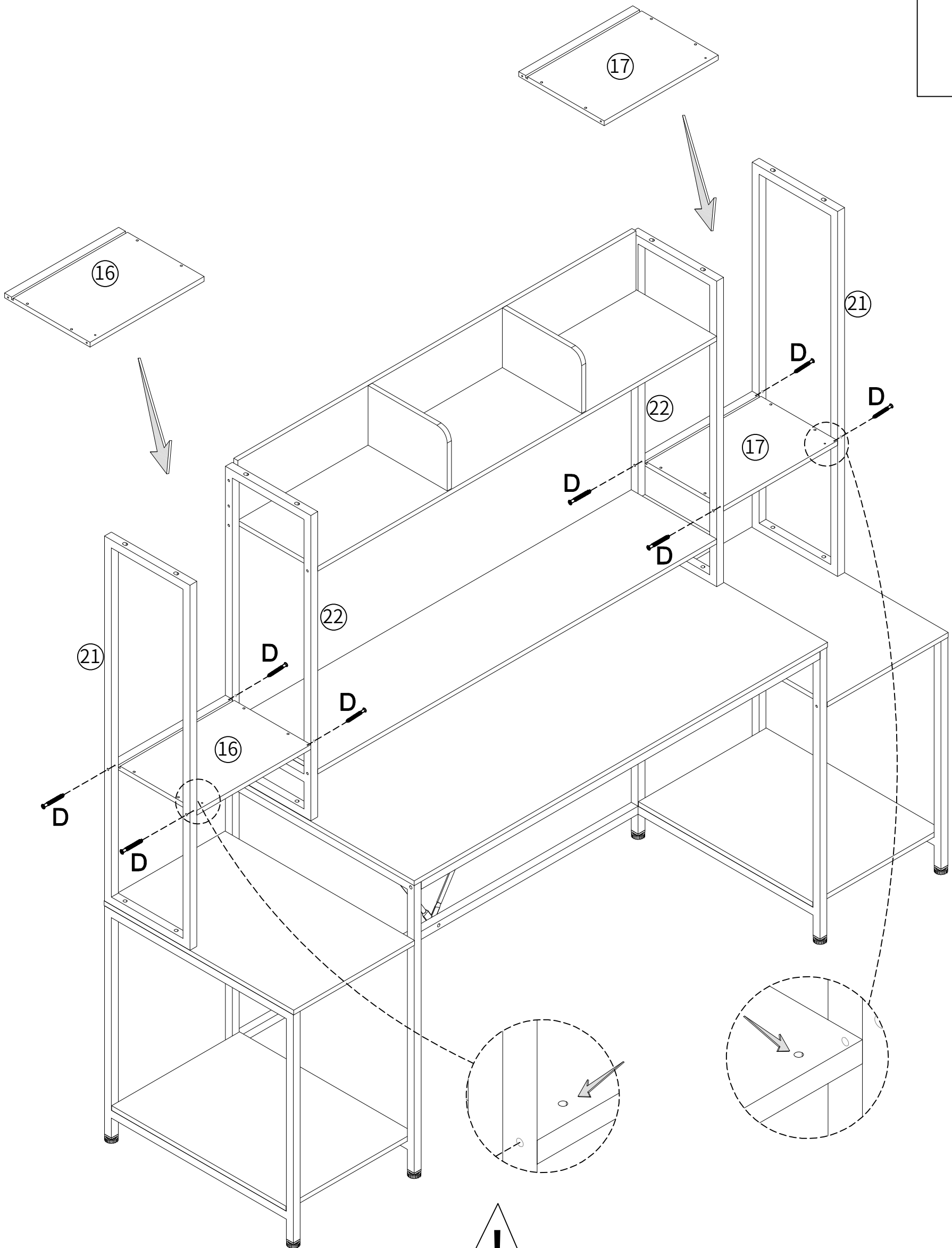


13

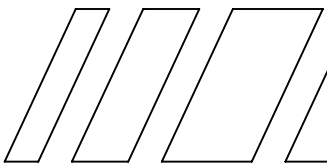
D M5X40



8 PCS



Pay attention to hole position

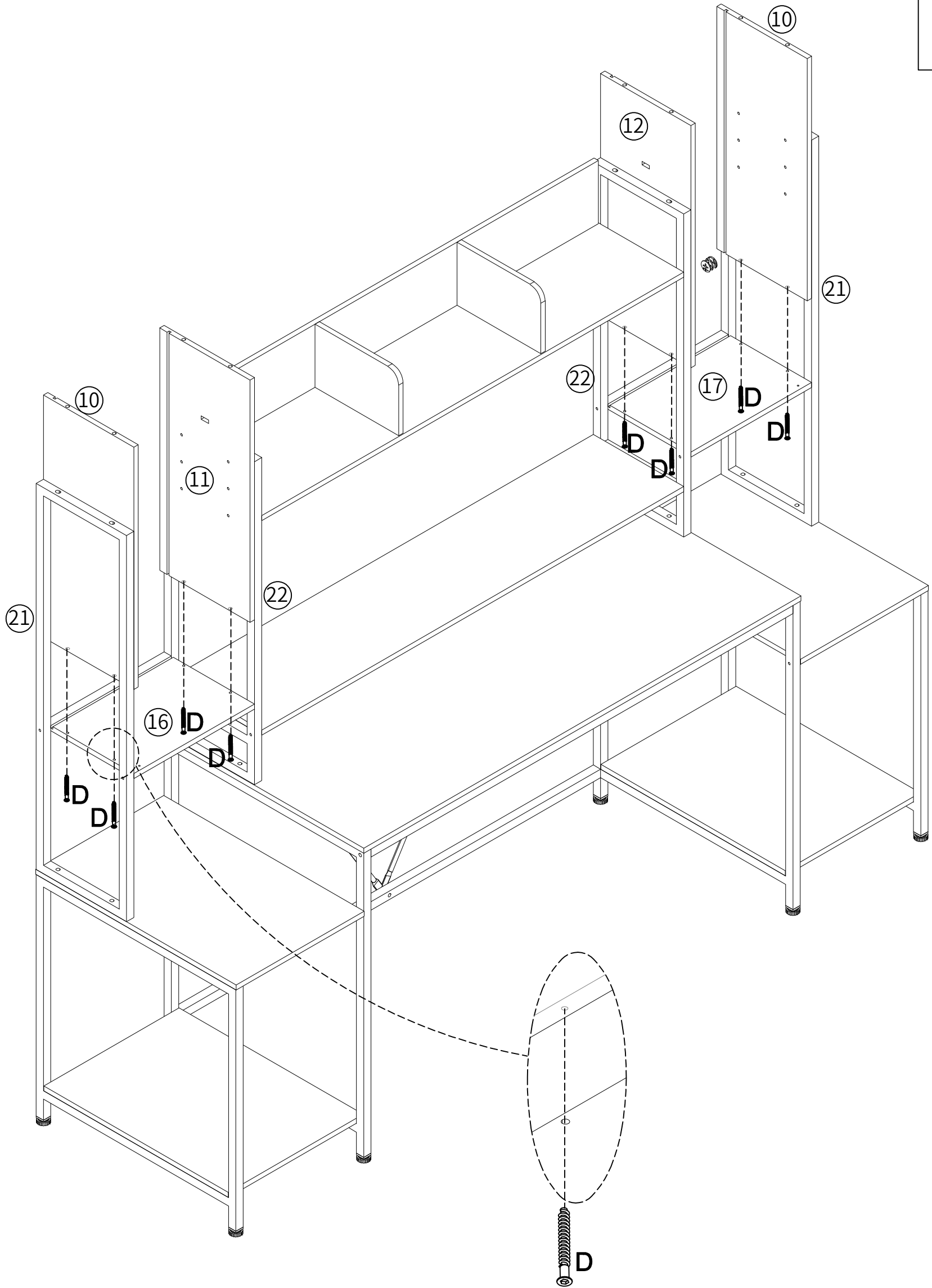


14

D M5X40

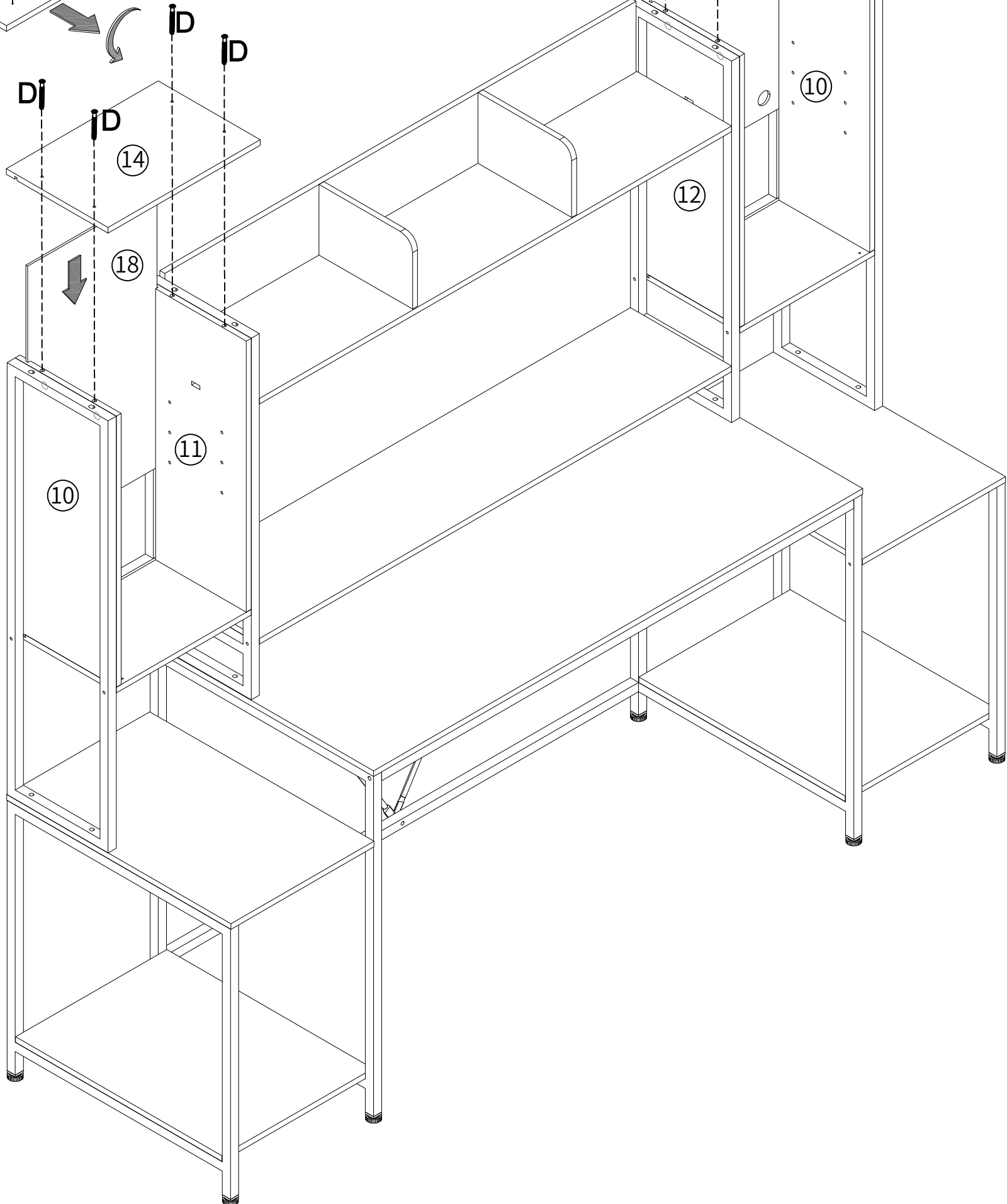
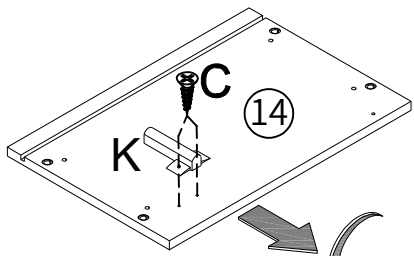
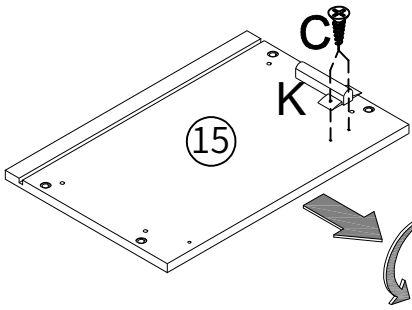


8 PCS



15

! Pay attention to hole position



D M5X40



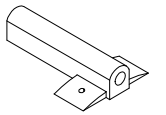
8 PCS

C M3.5X12

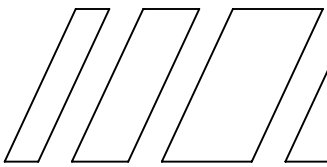


4 PCS

K

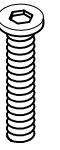


2 PCS

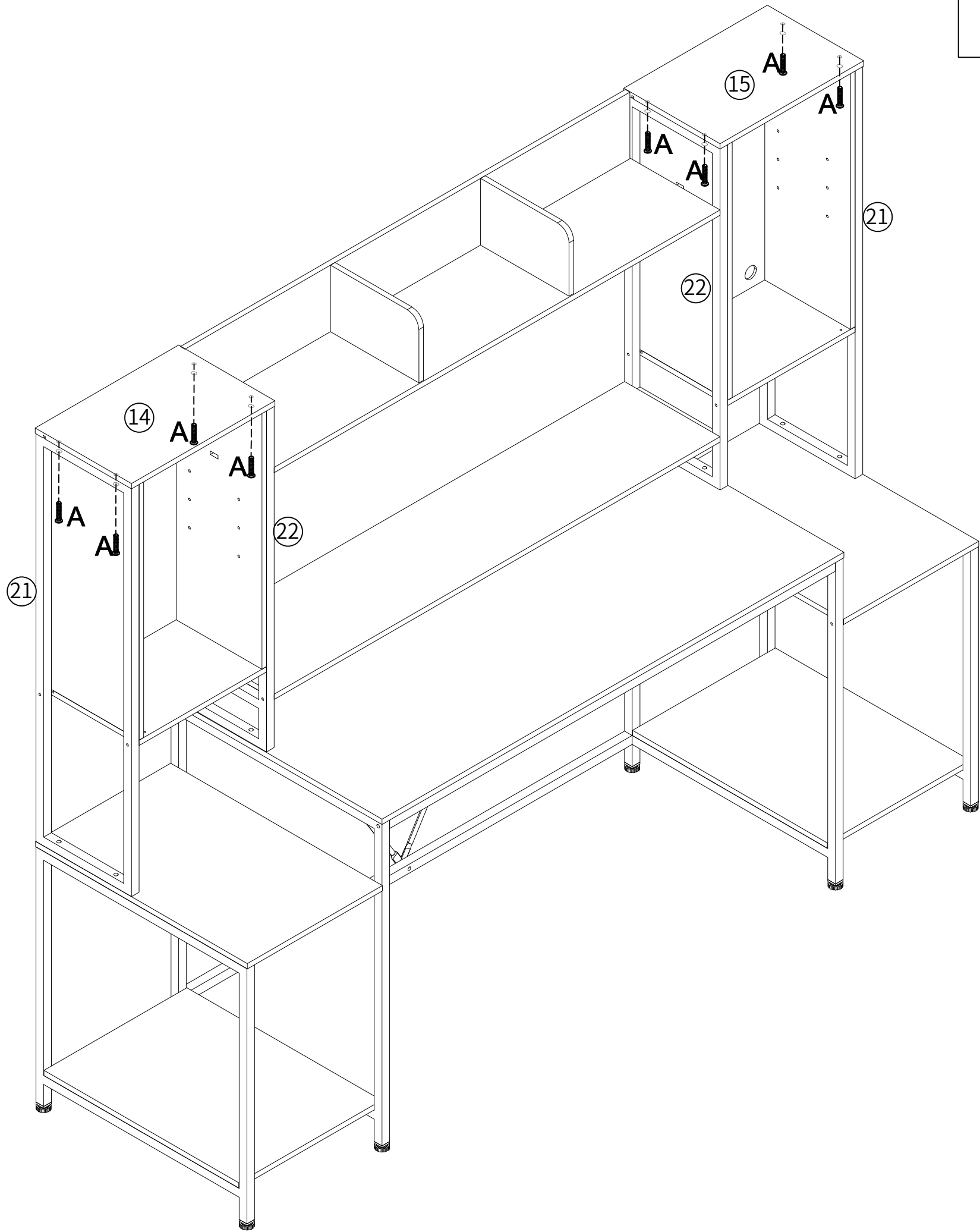


16

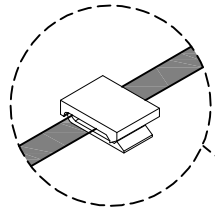
A M6X28



8 PCS

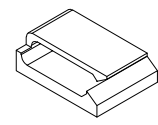


17



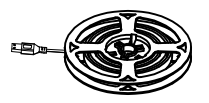
"The buckle of this lamp belt can be installed or not."

F

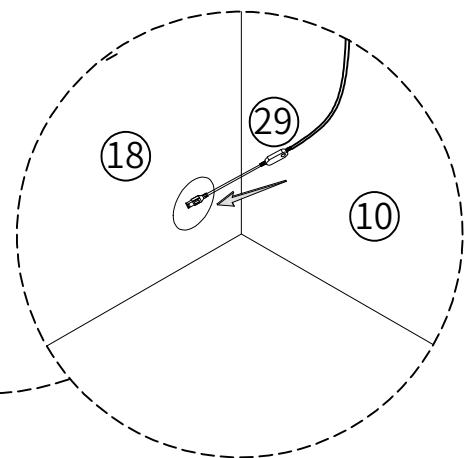
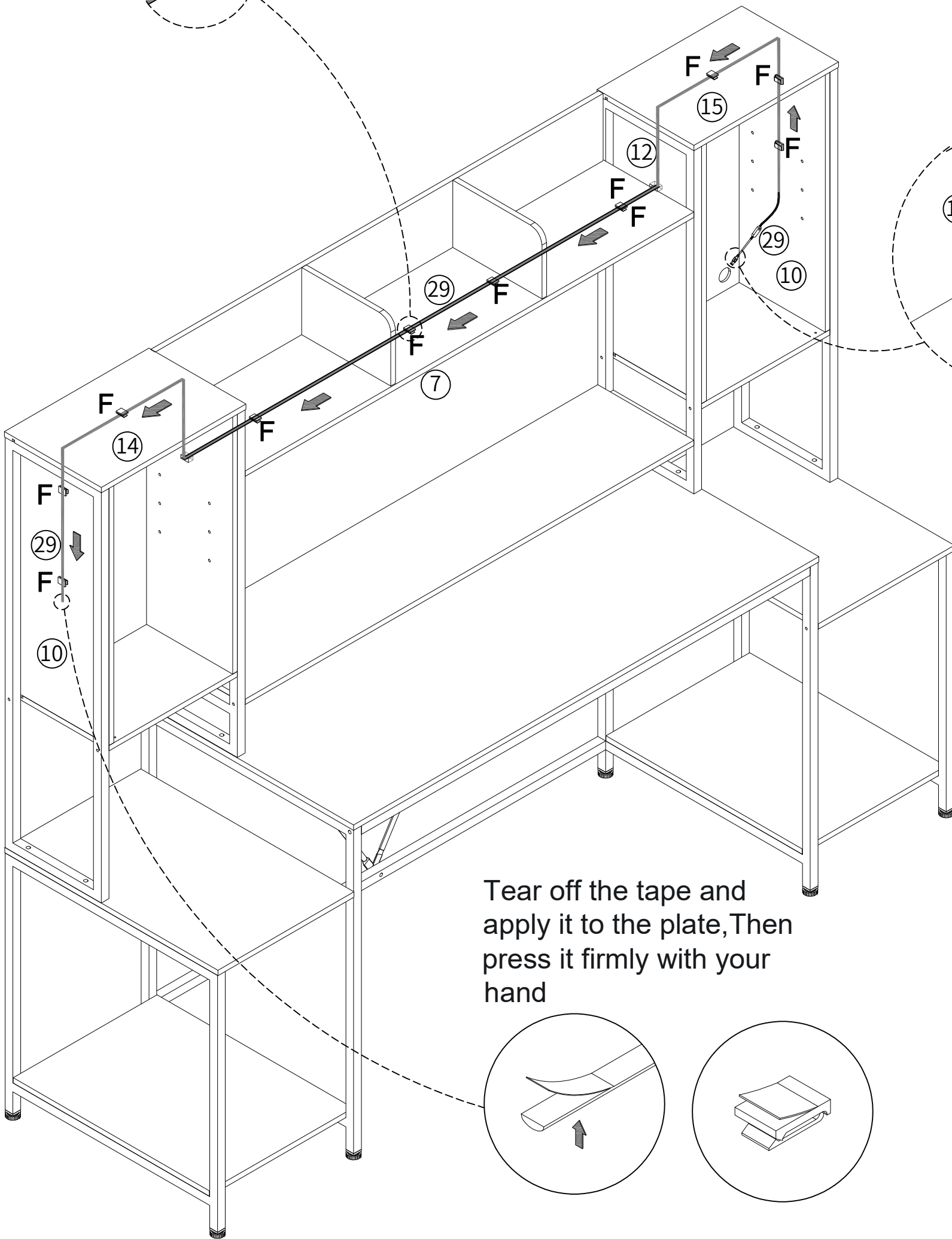


10 PCS

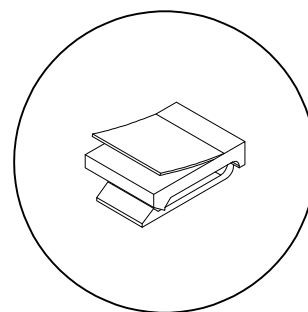
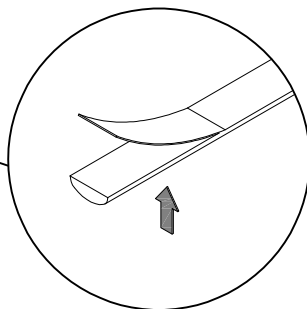
29



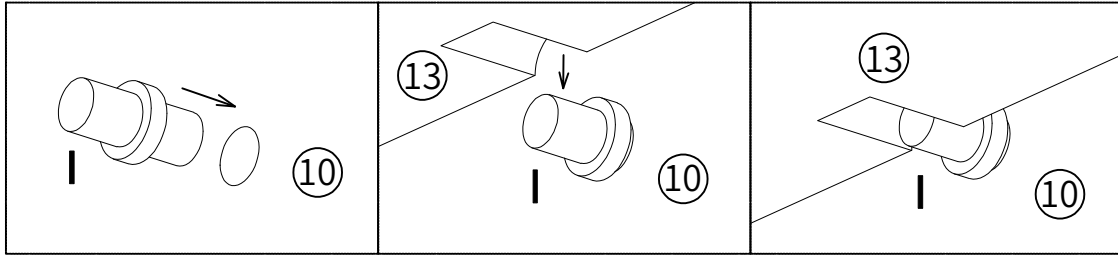
1 PC



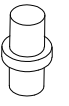
Tear off the tape and apply it to the plate, Then press it firmly with your hand



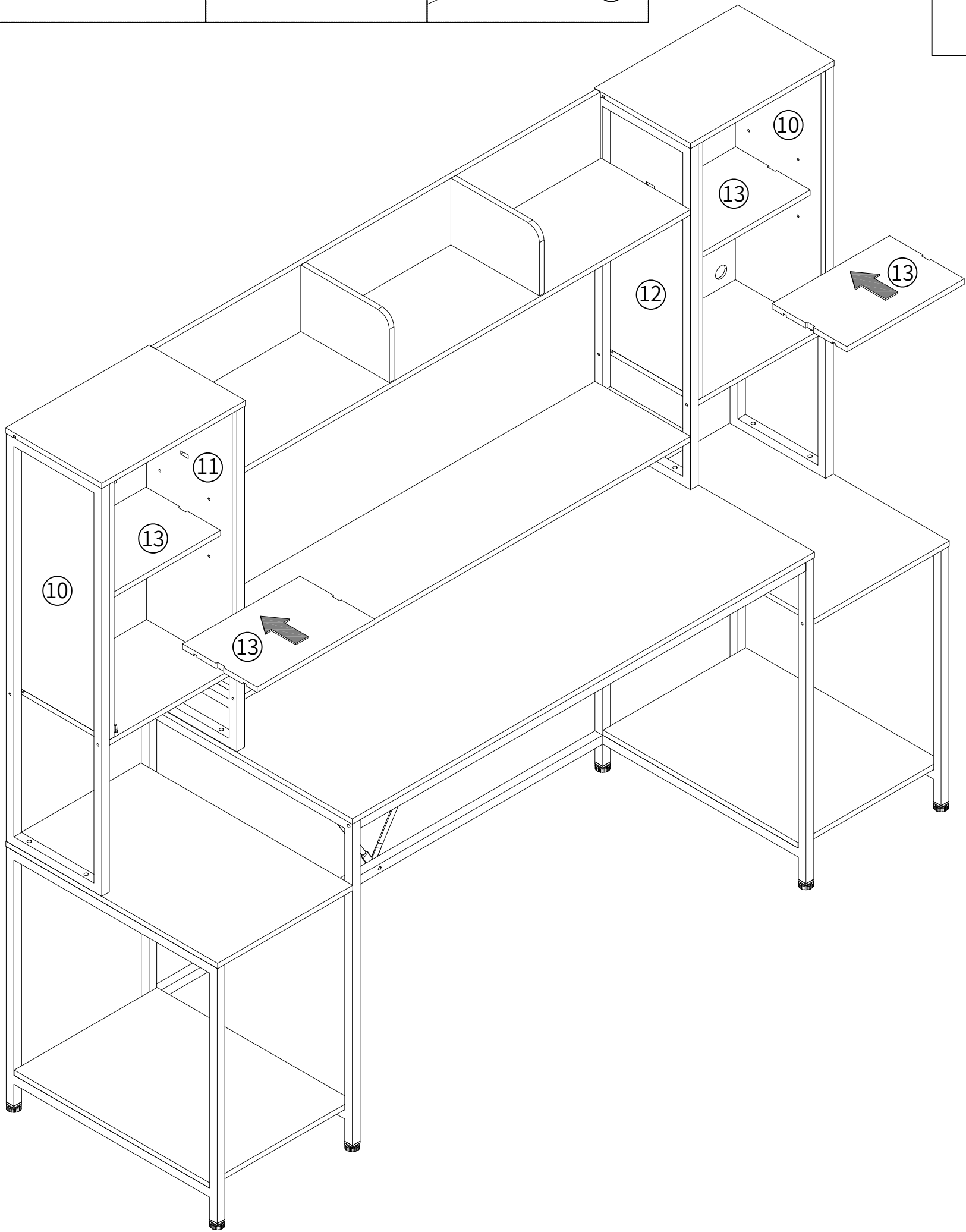
18

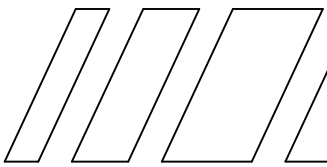


I Ø5



8 PCS

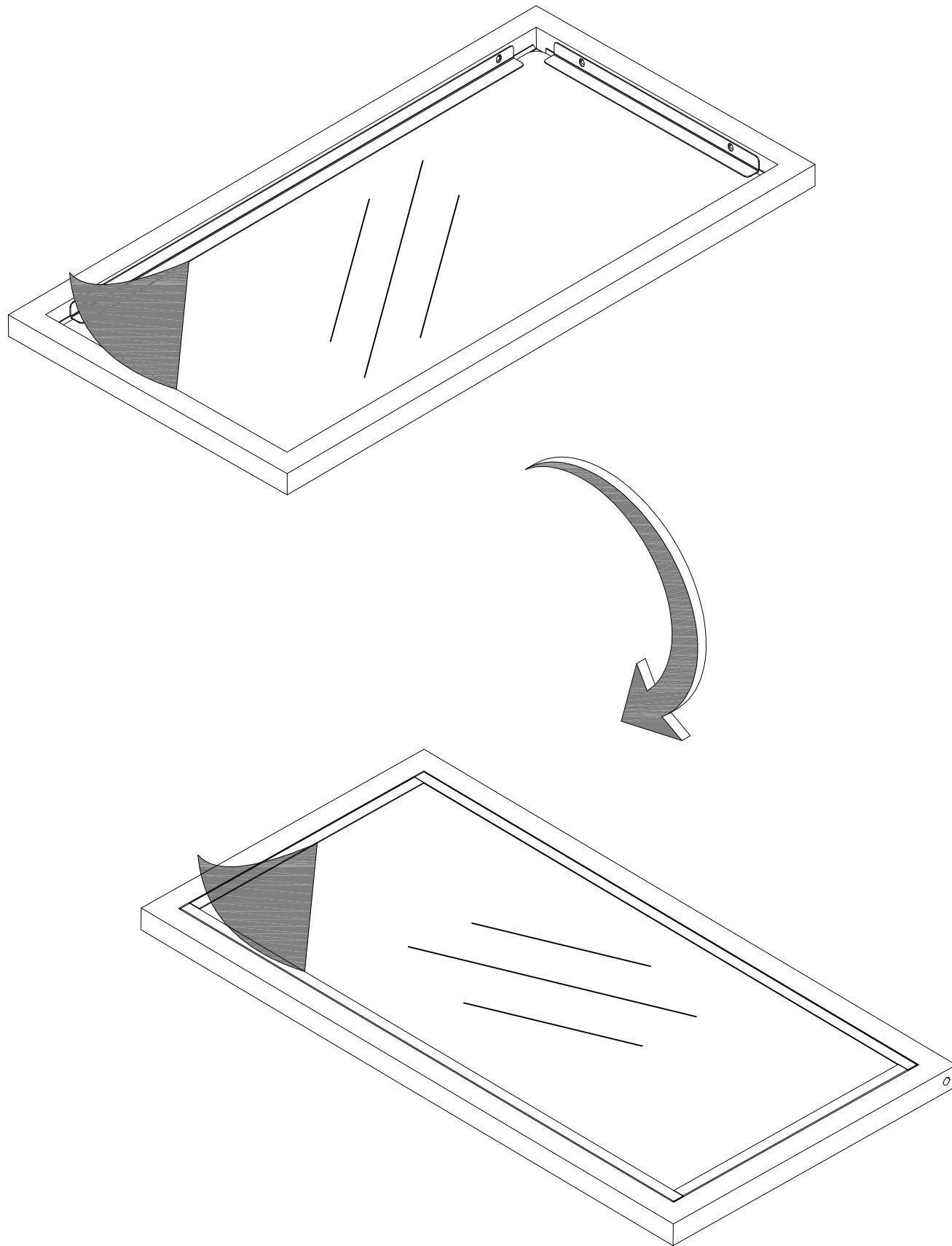




19

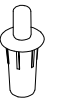


**This is the protective film of acrylic plate,
can be torn off before use !!!**

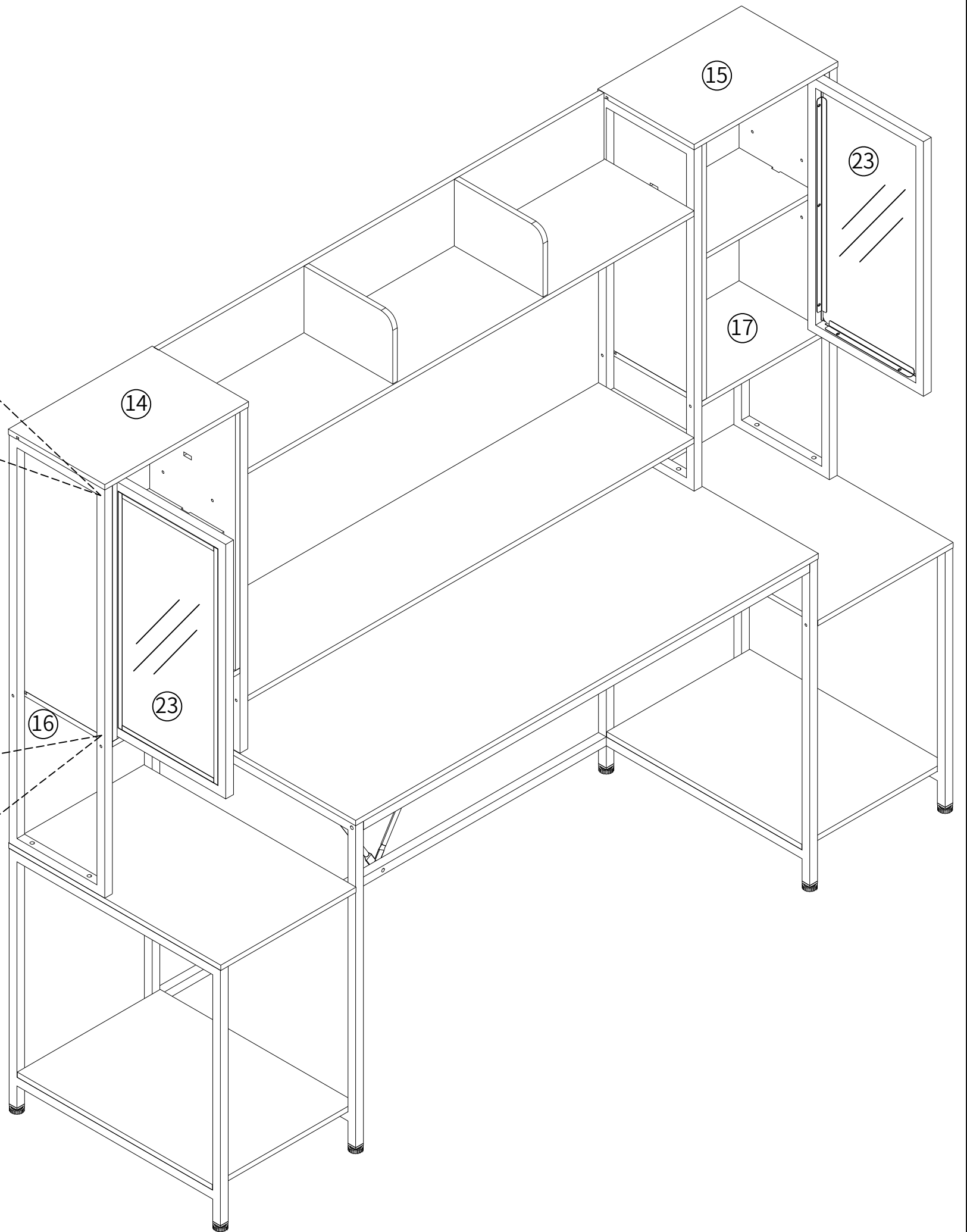
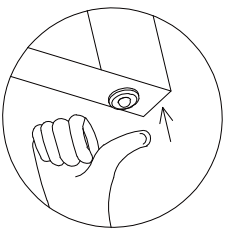
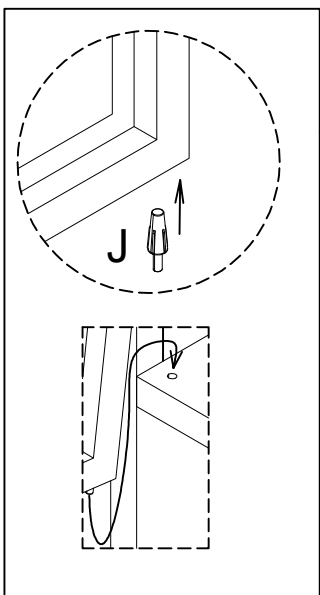
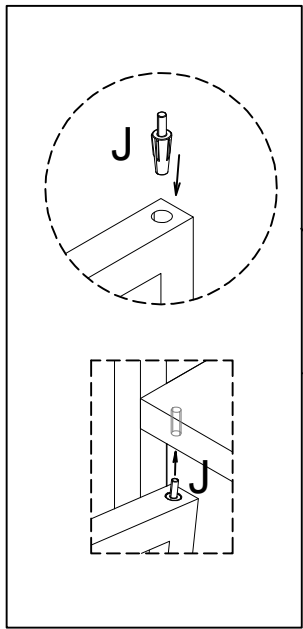


20

J

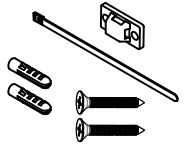


4 PCS



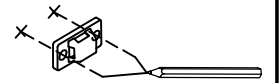
21

L

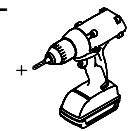


2 SETS

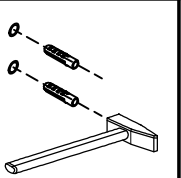
WALL



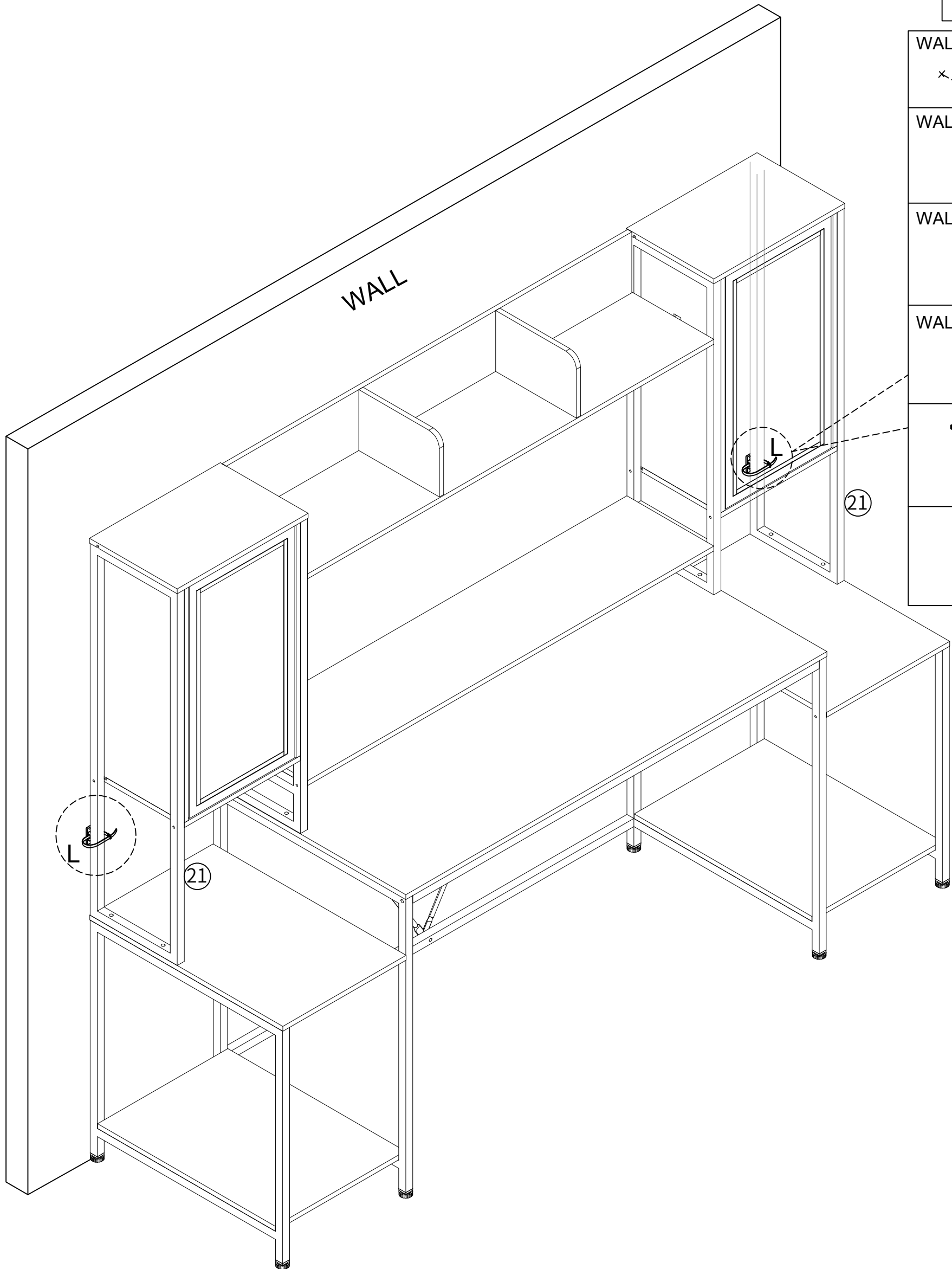
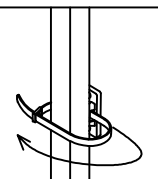
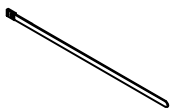
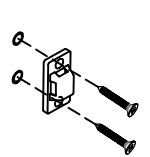
WALL

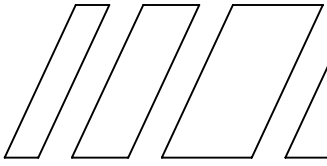


WALL



WALL





22

