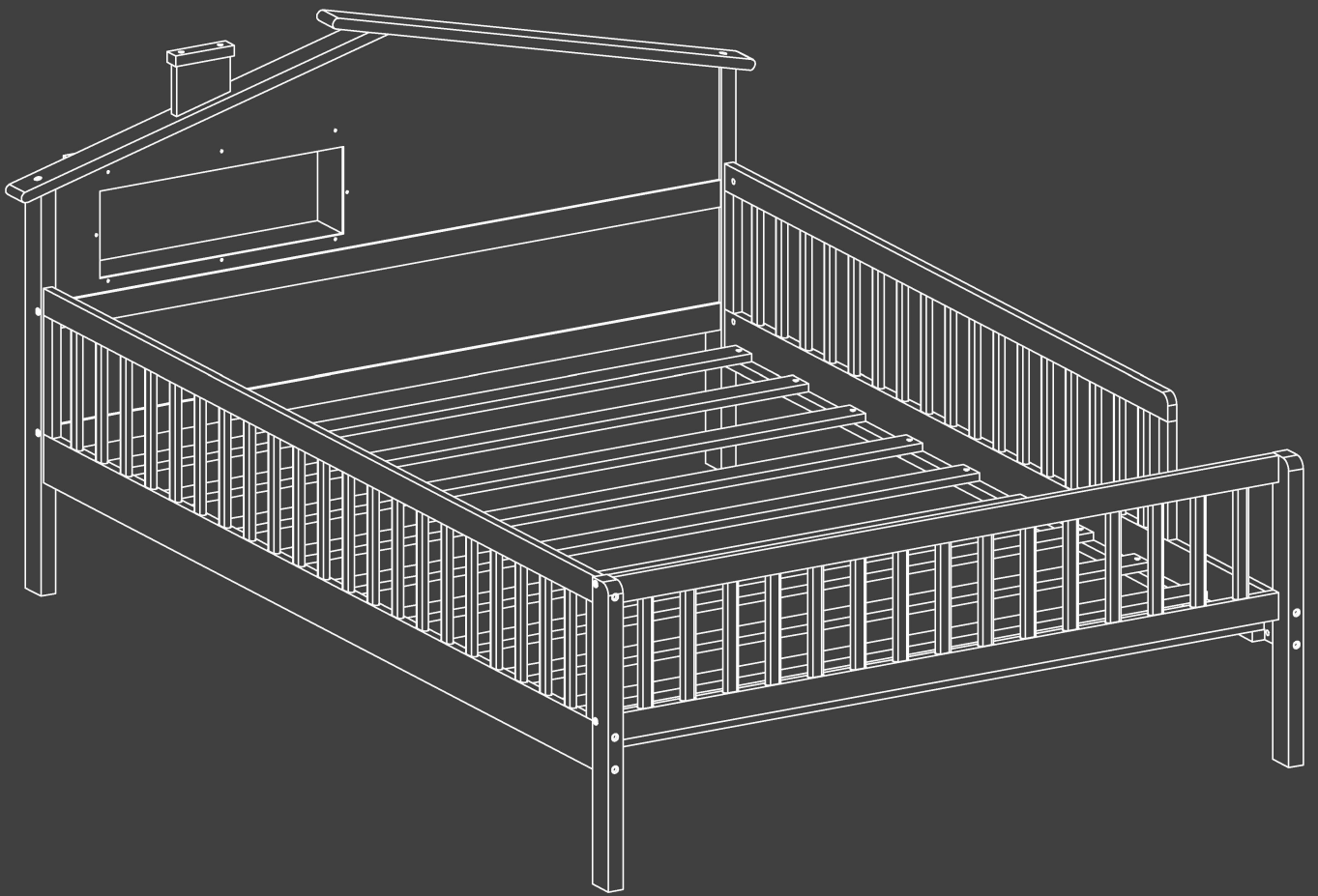
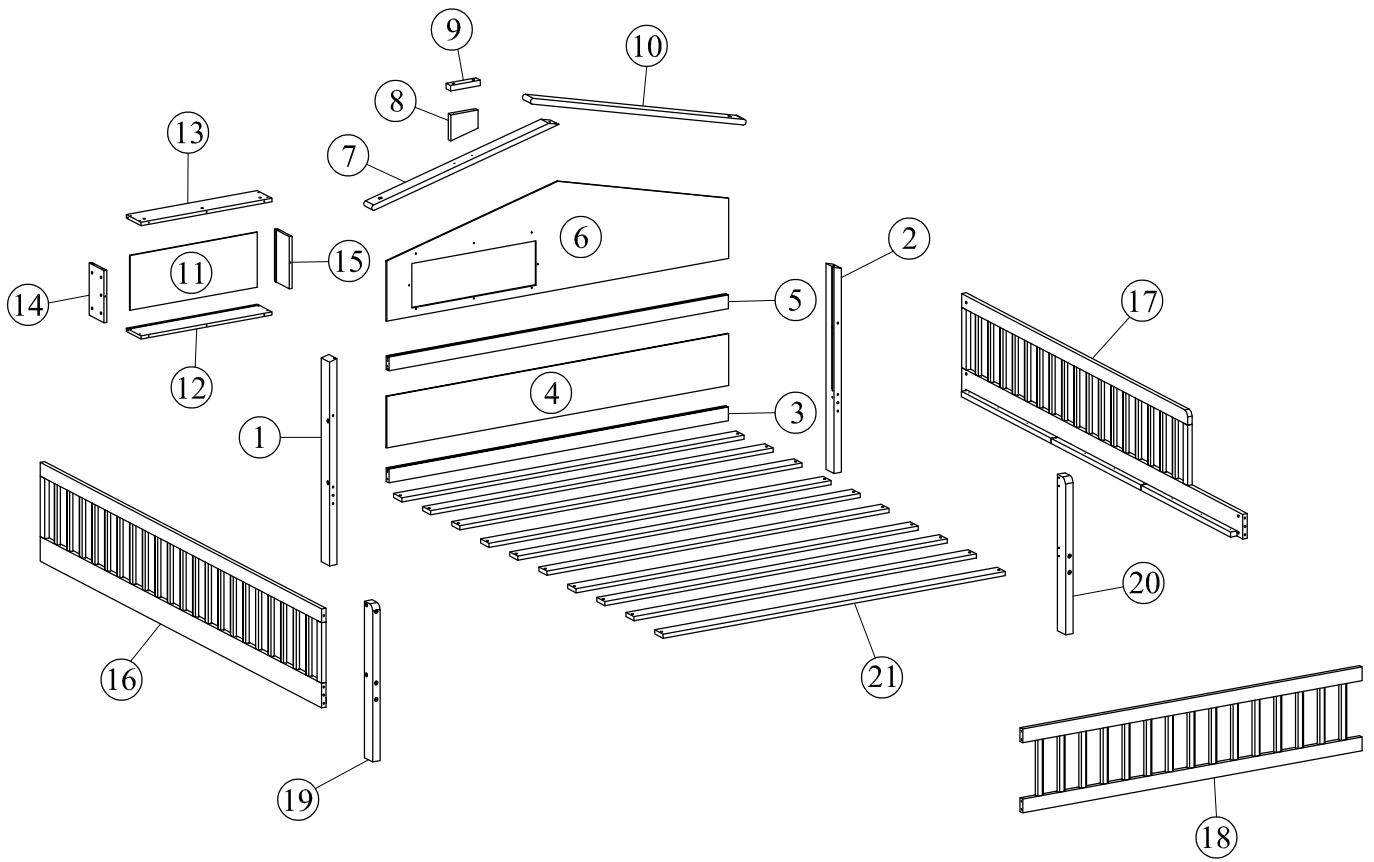


Bed Frame

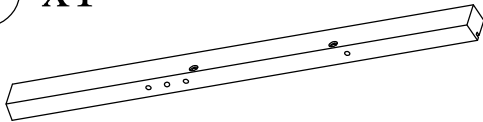
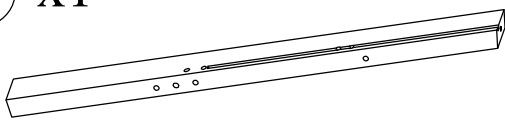
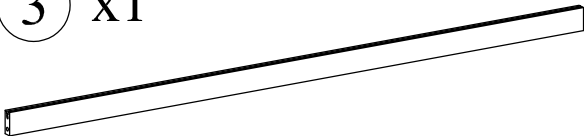
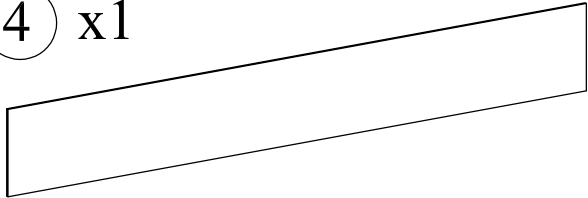
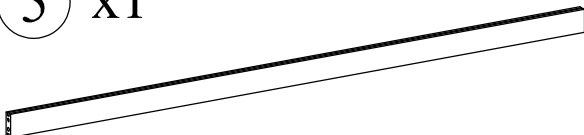
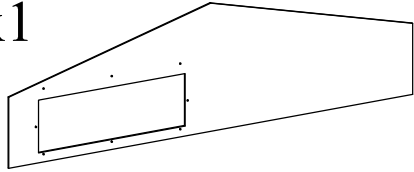
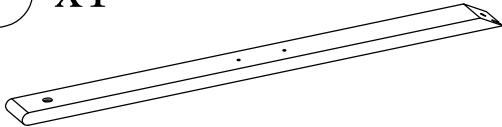
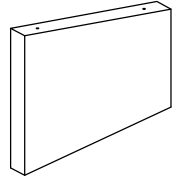
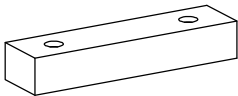
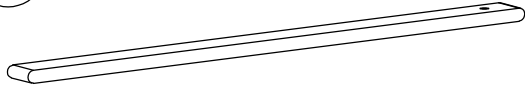
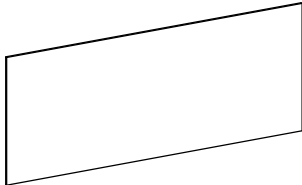
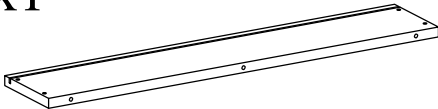
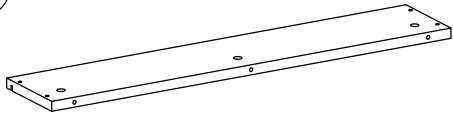
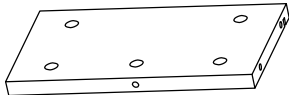
Instruction Manual



Detail:

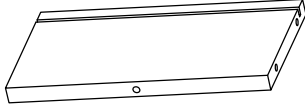


Part List

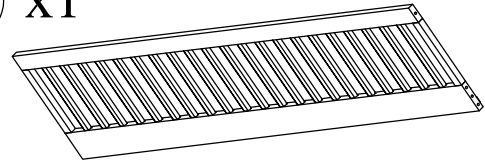
<p>① x1</p> 	<p>② x1</p> 
<p>③ x1</p> 	<p>④ x1</p> 
<p>⑤ x1</p> 	<p>⑥ x1</p> 
<p>⑦ x1</p> 	<p>⑧ x1</p> 
<p>⑨ x1</p> 	<p>⑩ x1</p> 
<p>⑪ x1</p> 	<p>⑫ x1</p> 
<p>⑬ x1</p> 	<p>⑭ x1</p> 

Part List

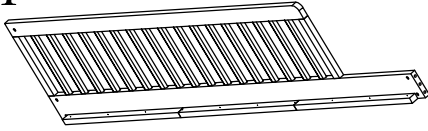
15 x1



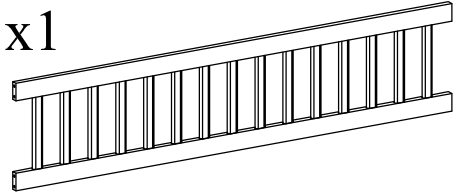
16 x1



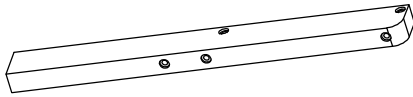
17 x1



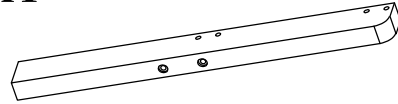
18 x1



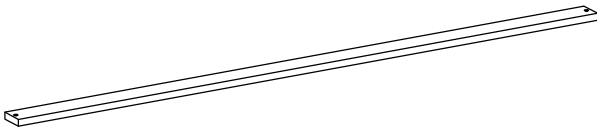
19 x1



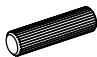









20 x1



21 x10



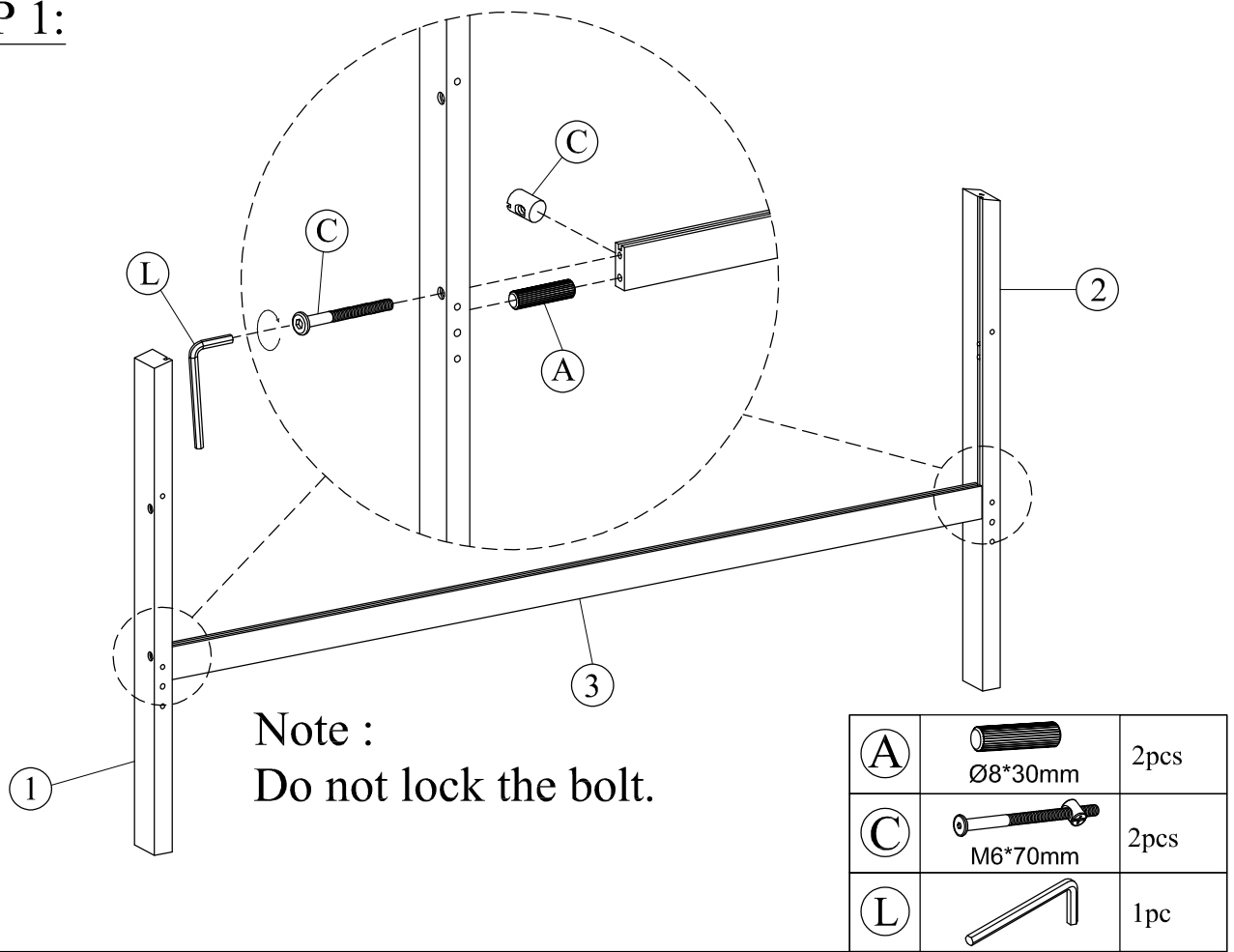
Hardware List

No.	OUTLOOK	DESC	QTY
A		Dowel Ø8*30mm	12pcs
B		Bolts M6*100mm	11pcs
C		Bolts M6*70mm	8pcs
E		Bolts M6*25mm	1pc
F		Bolts M6*40mm	2pcs
G		Round head screw #8*30mm	4pcs
I		Flat head screw #8*50mm	16pcs
J		Flat head screw #8*30mm	20pcs
K		Cross dowel Ø10*10mm	16pcs
L		Allen key 60*22*4mm	1pc

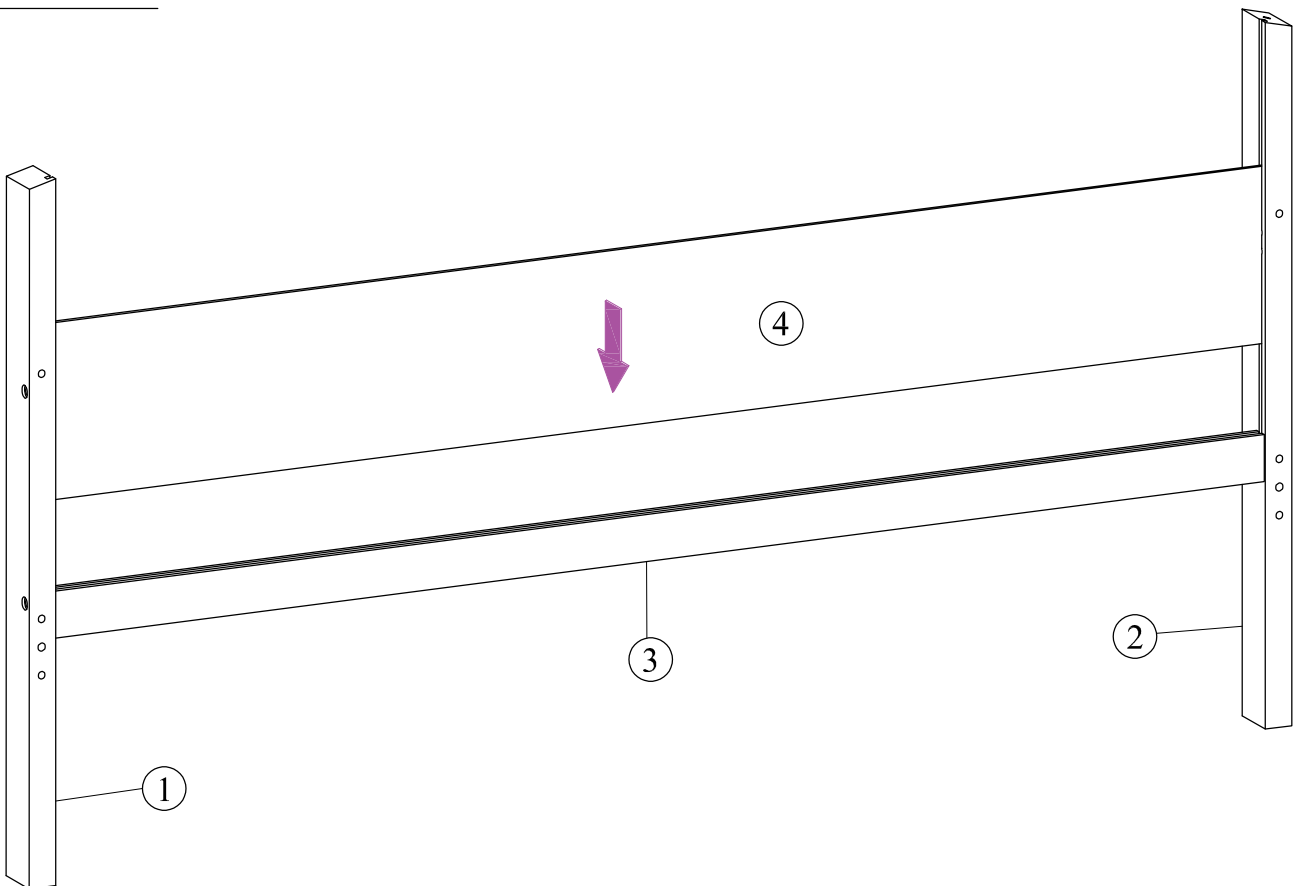
ASSEMBLY TOOLS REQUIRED (NOT INCLUDED)



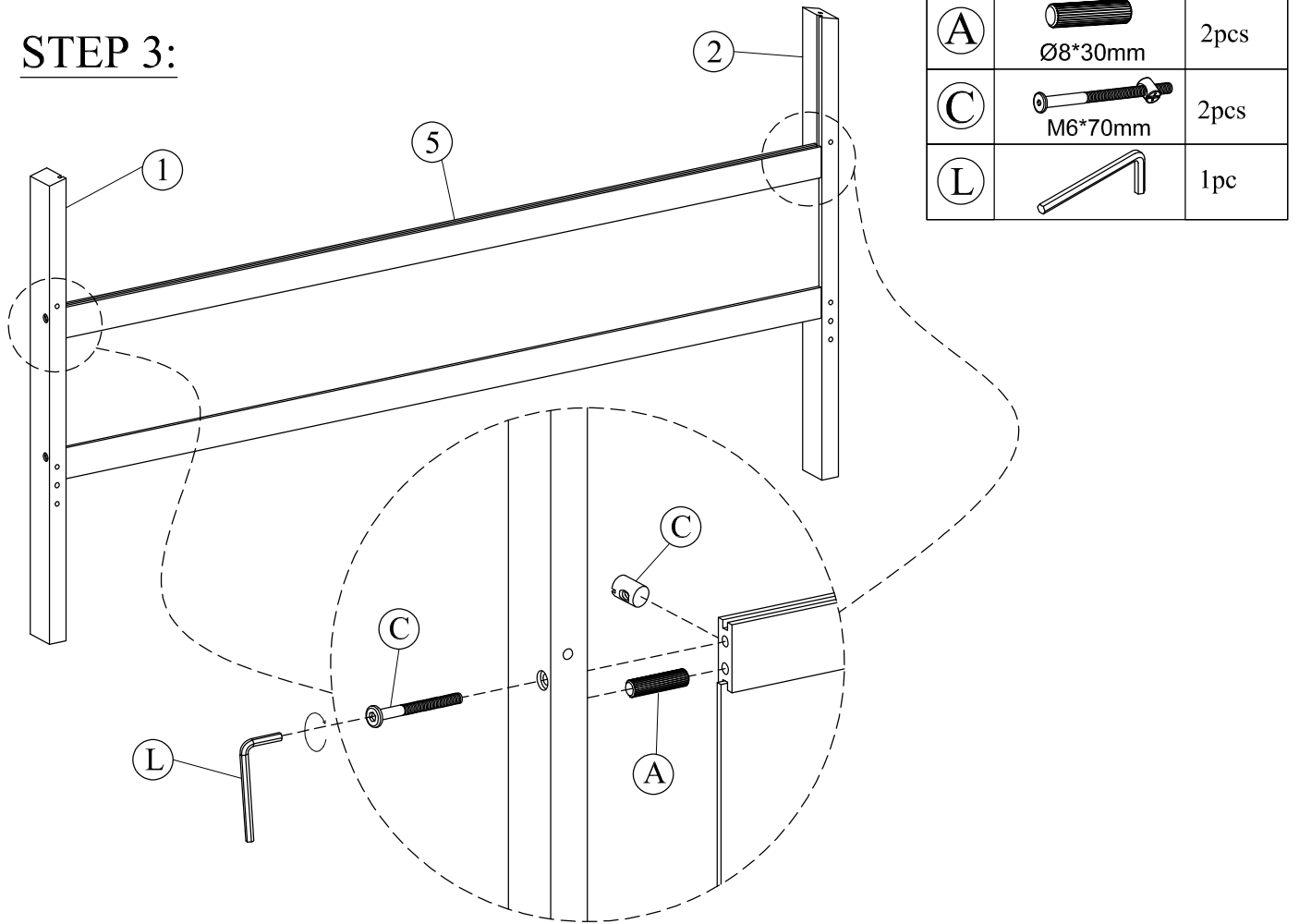
STEP 1:



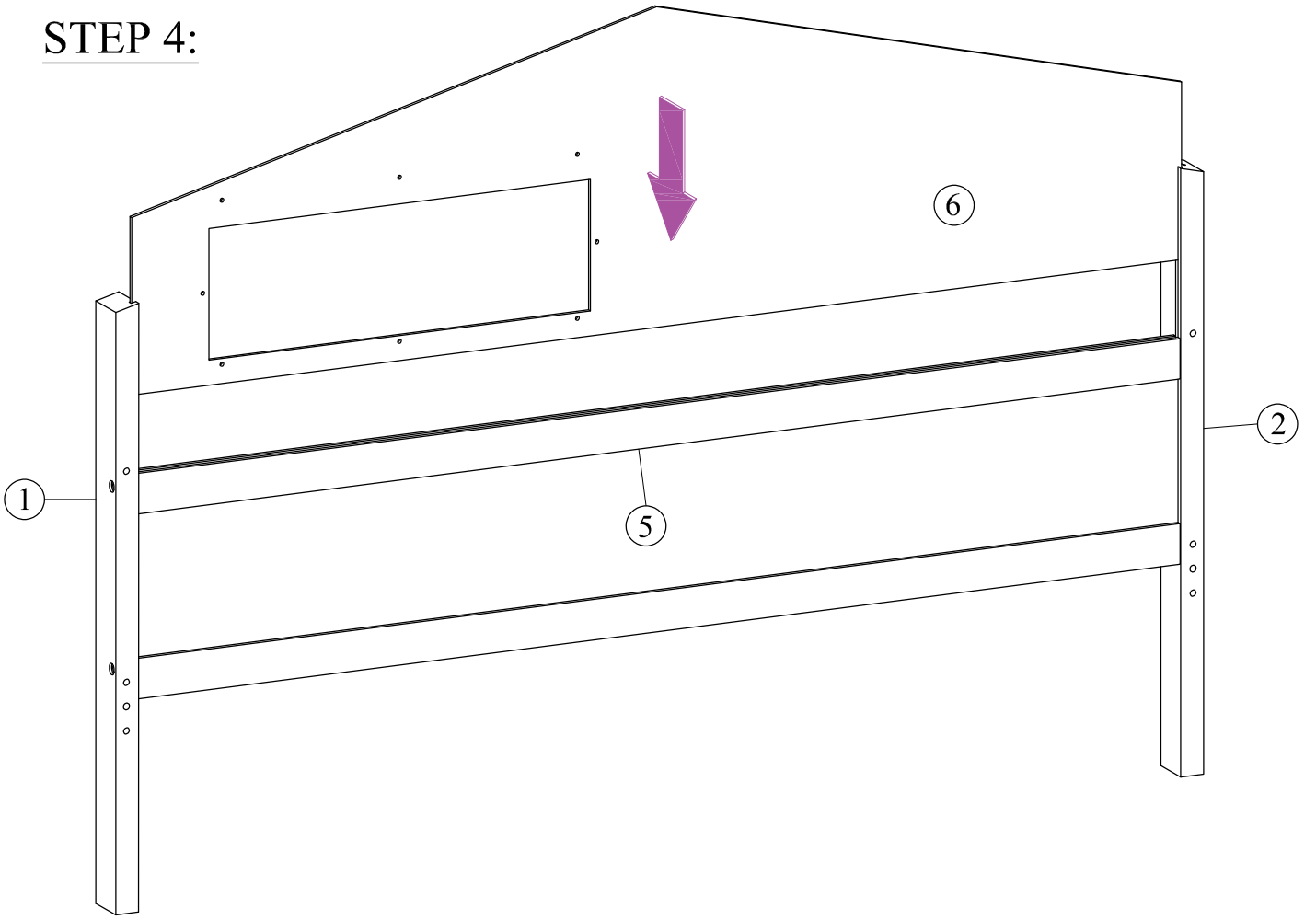
STEP 2:



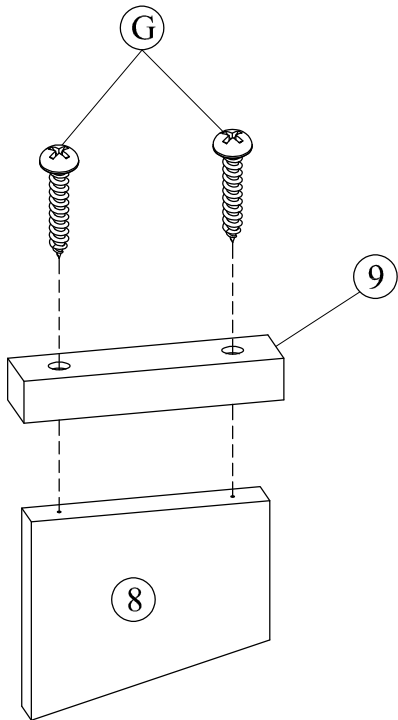
STEP 3:



STEP 4:

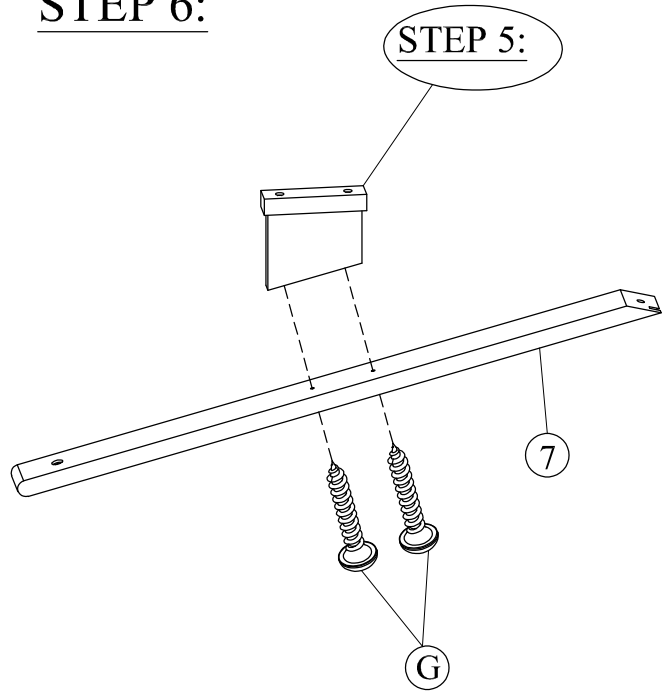



STEP 5:



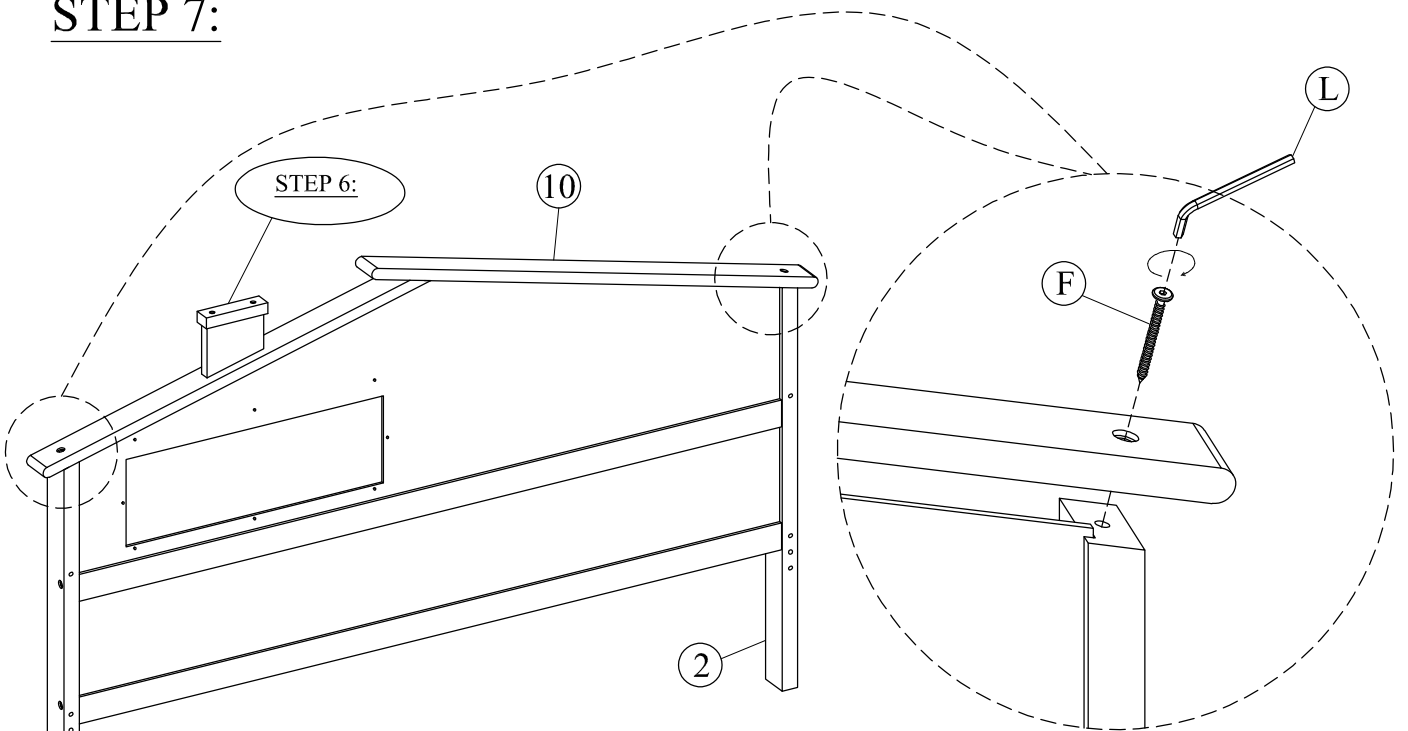
G	 #8*30mm	2pcs
---	---	------

STEP 6:





G	 #8*30mm	2pcs
---	---	------

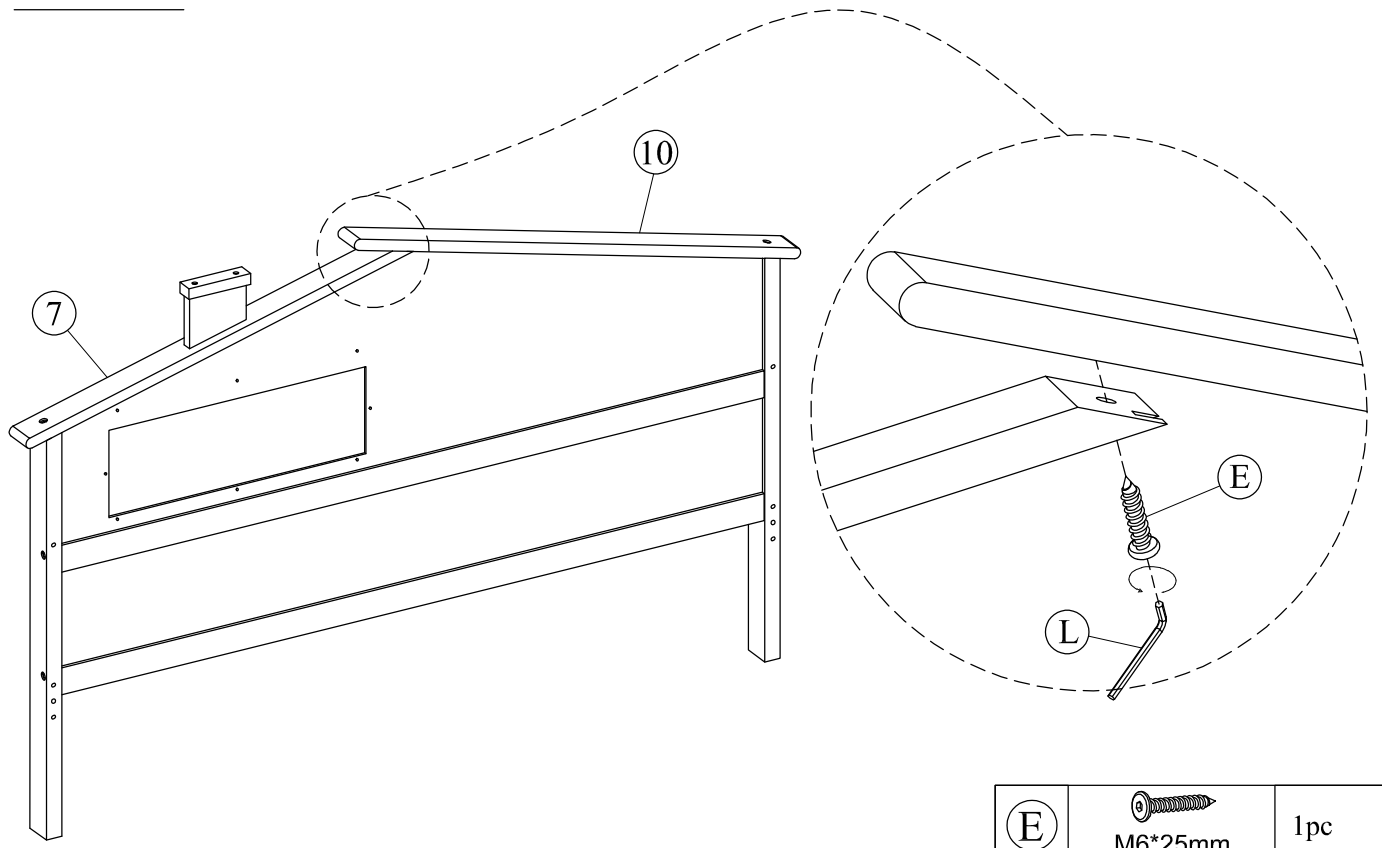
STEP 7:





Note :
Lock the bolt.

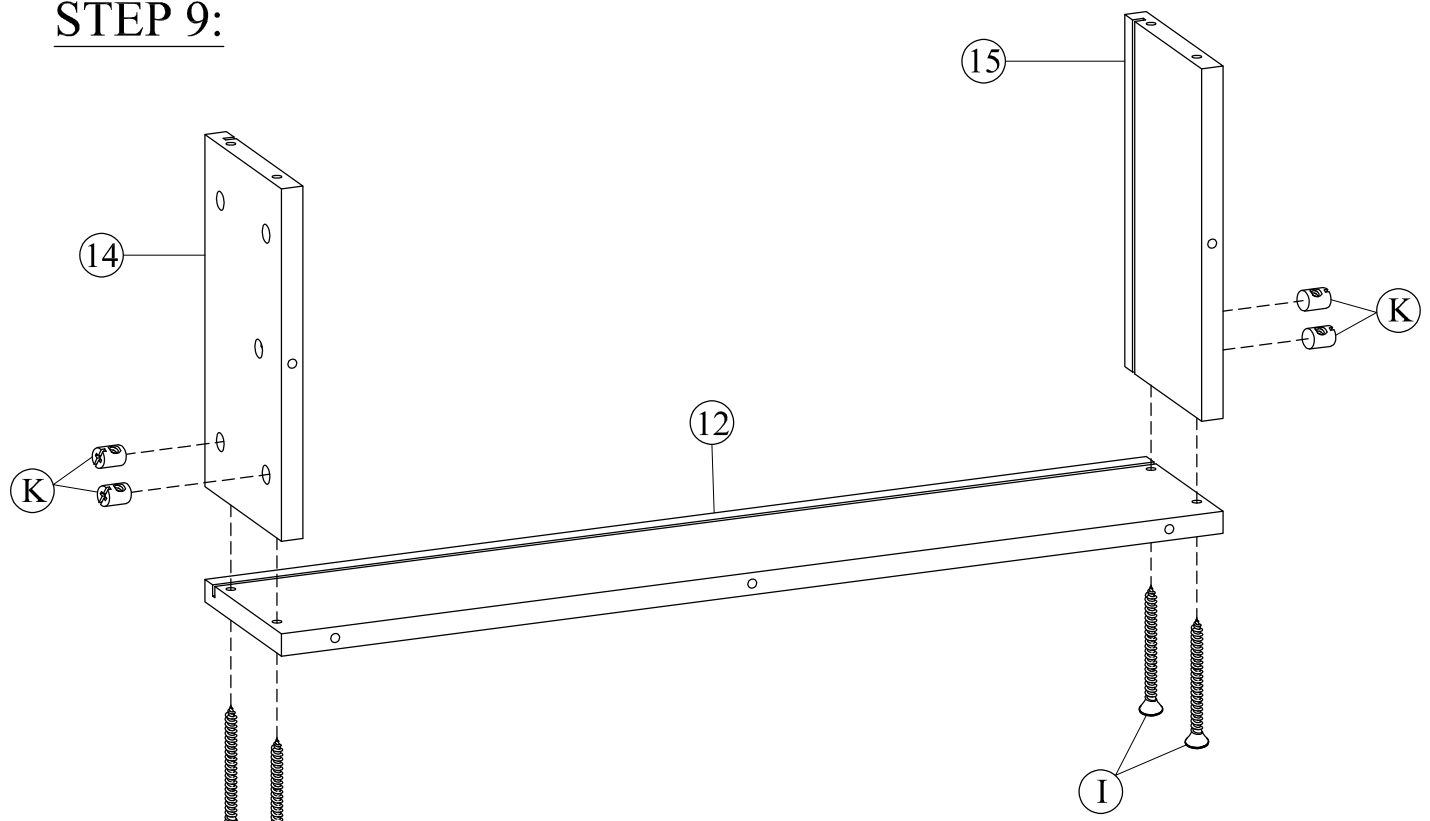
F	 M6*40mm	2pcs
L		1pc



STEP 8:



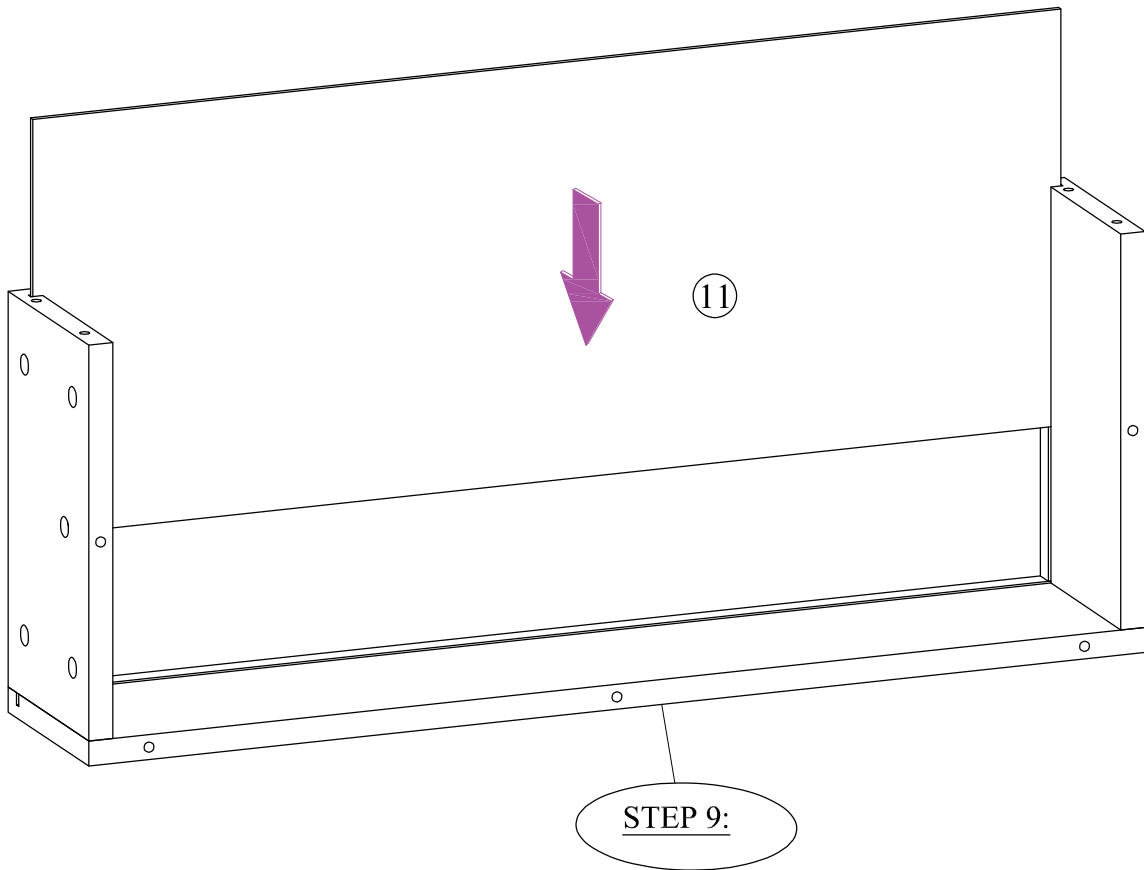
(E)	 M6*25mm	1pc
(L)		1pc

STEP 9:

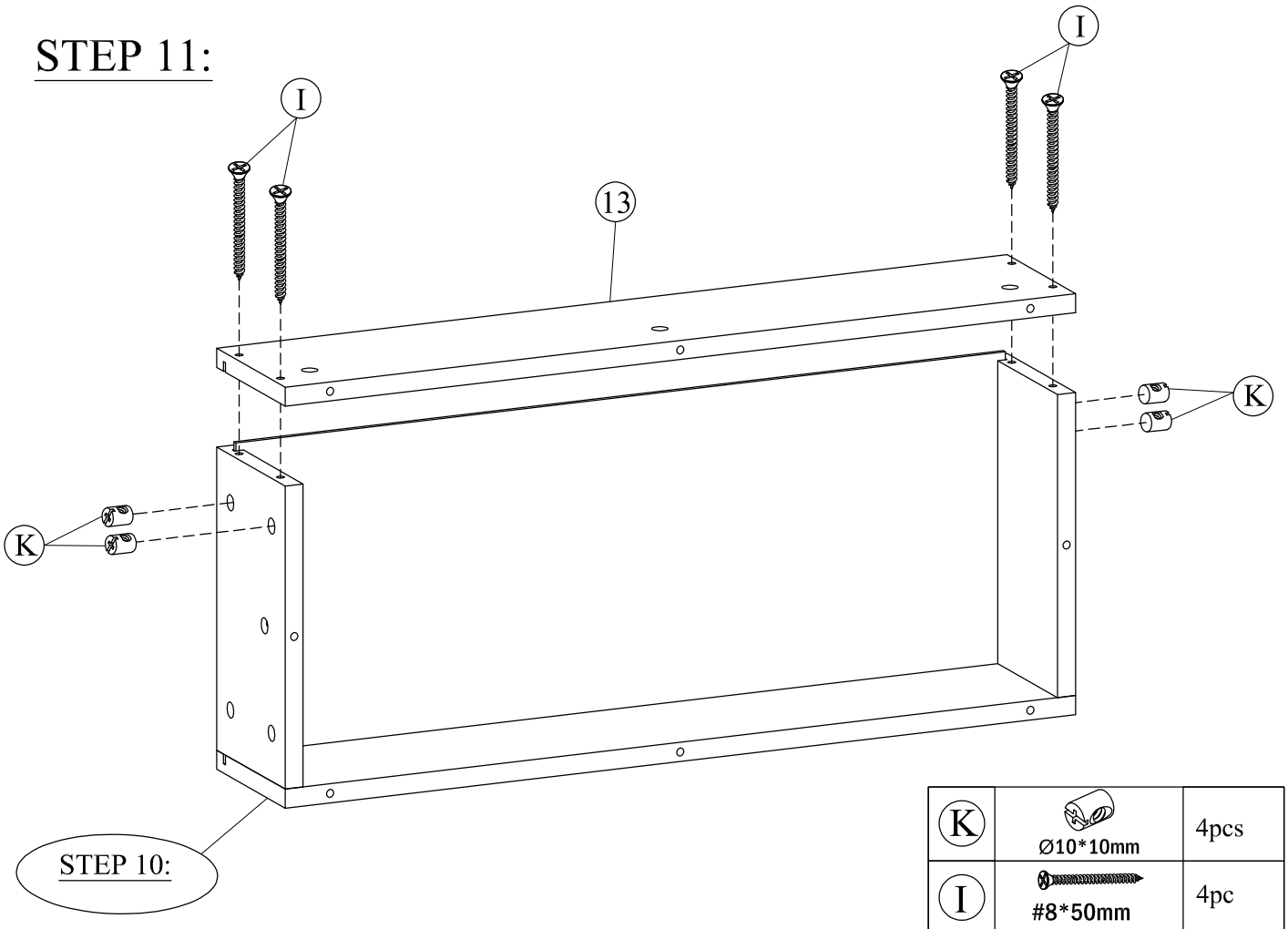




(K)	 Ø10*10mm	4pcs
(I)	 #8*50mm	4pc

STEP 10:

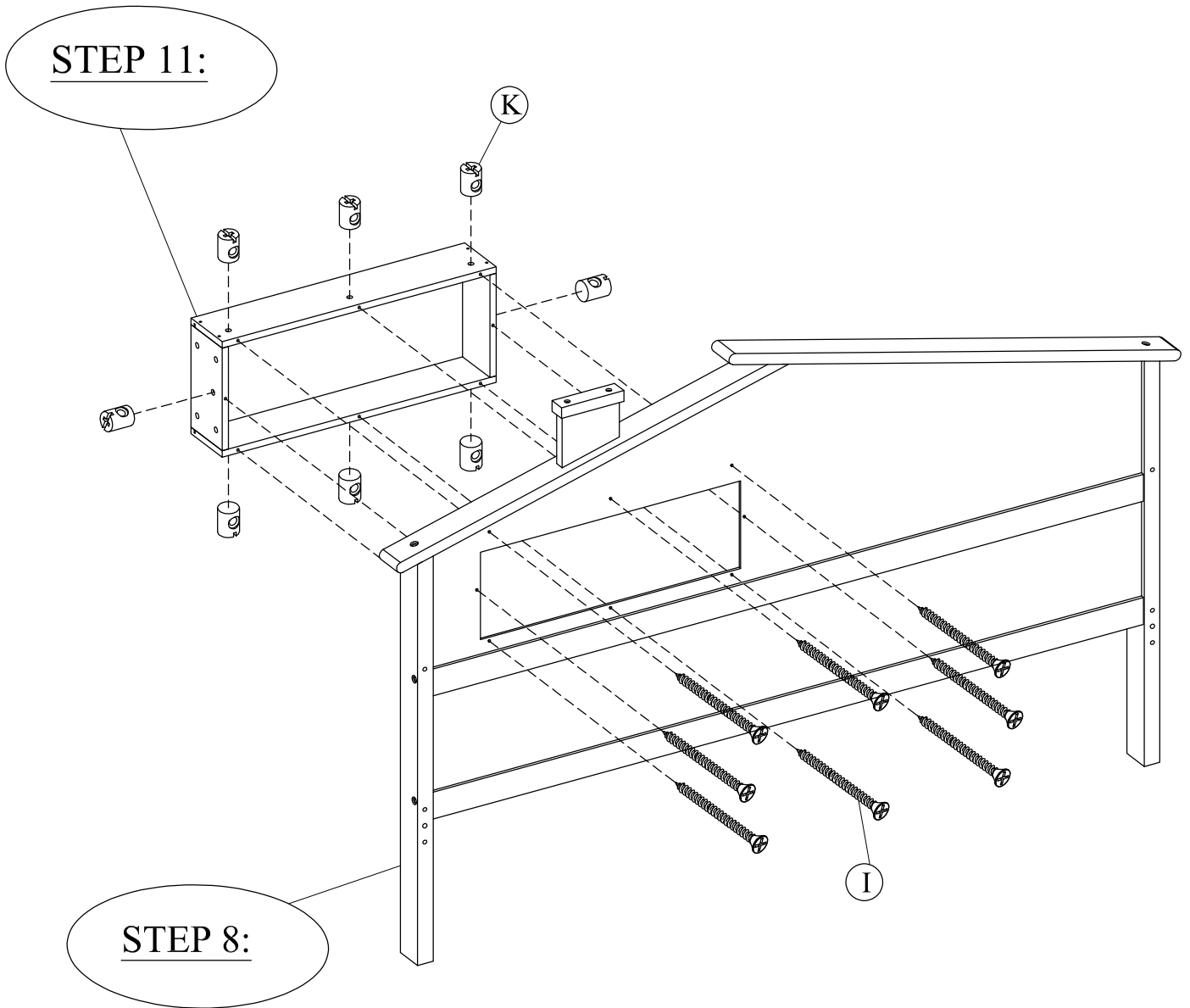




STEP 11:




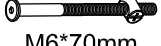

(K)	 Ø10*10mm	4pcs
(I)	 #8*50mm	4pc

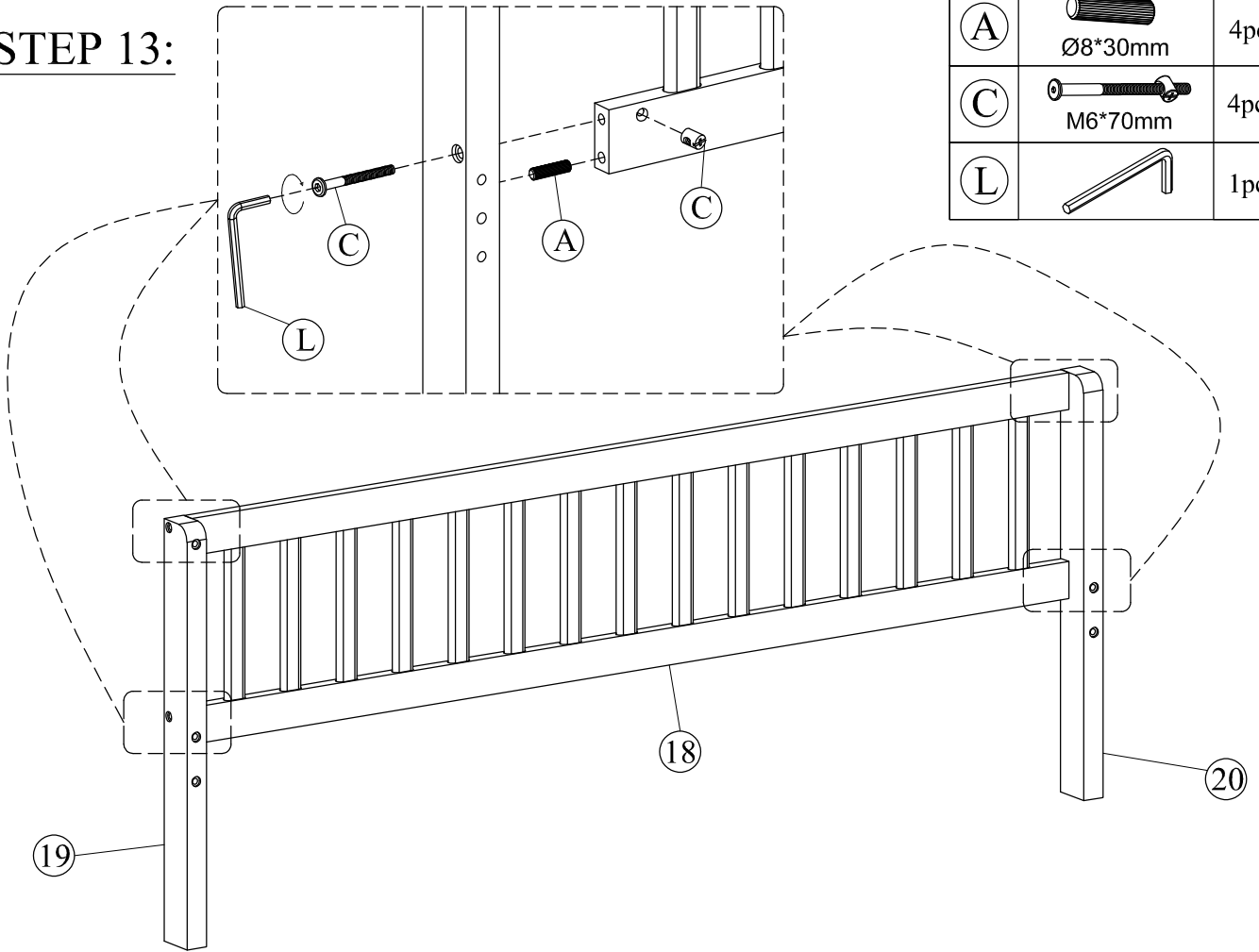
STEP 12:



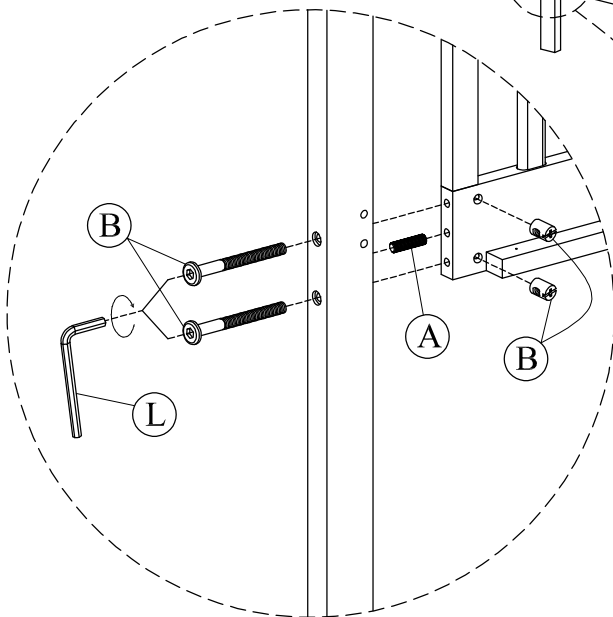
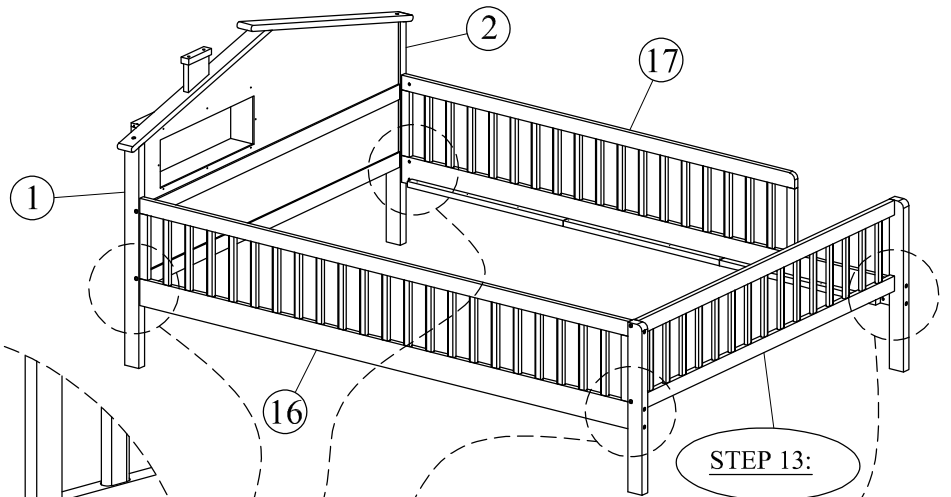
(K)	 Ø10*10mm	8pcs
(I)	 #8*50mm	8pcs



STEP 13:

(A)	 Ø8*30mm	4pcs
(C)	 M6*70mm	4pcs
(L)		1pc

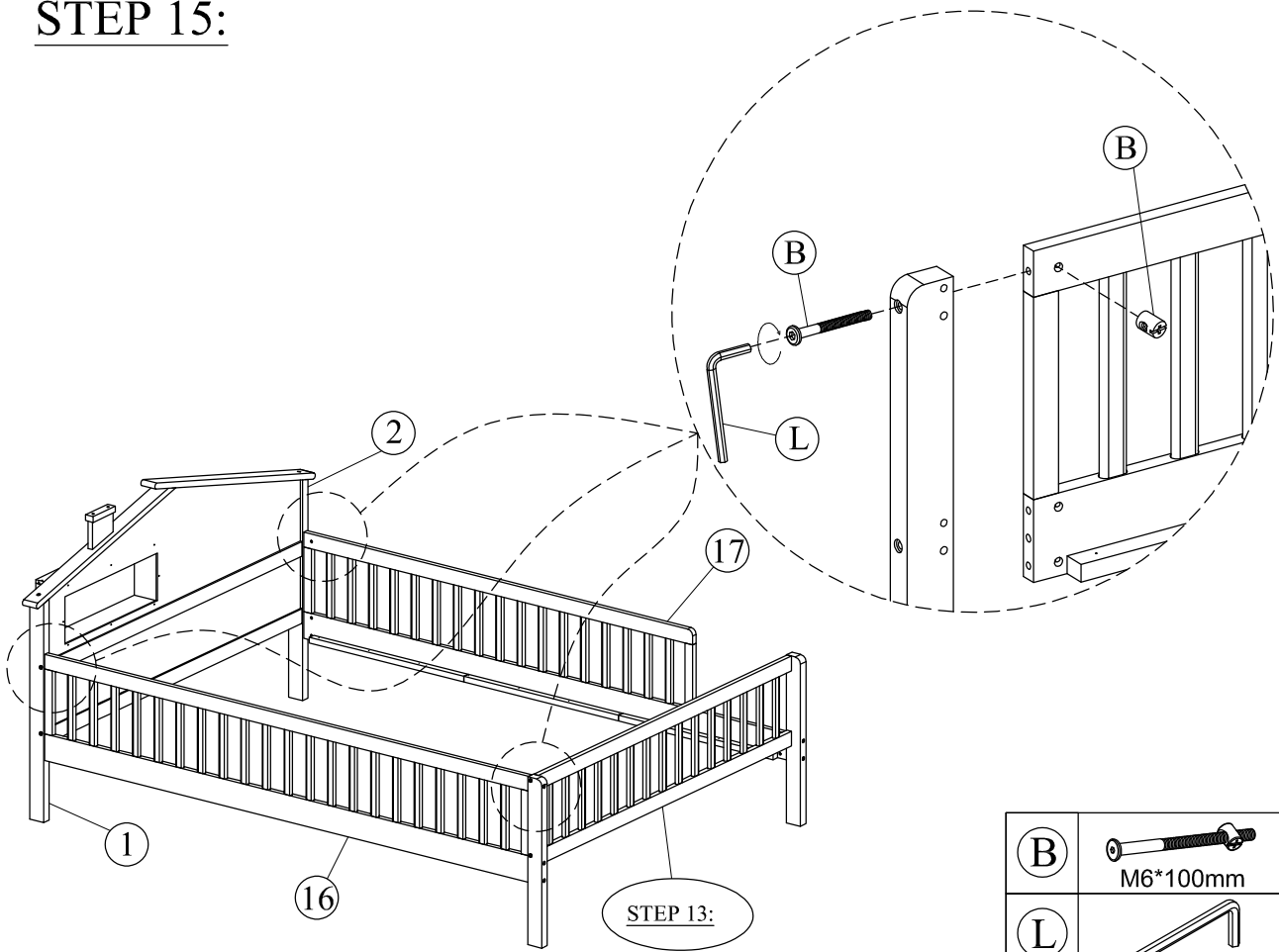




STEP 14:



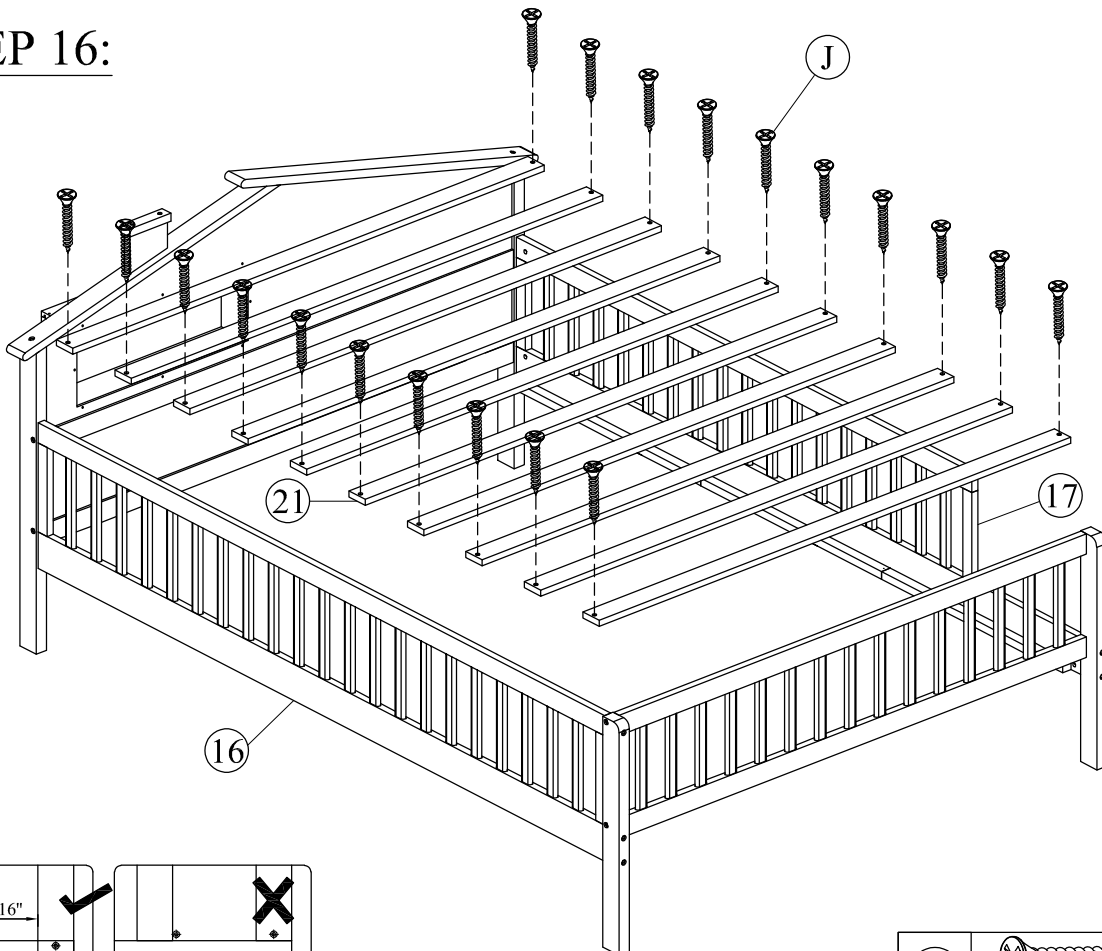
(A)	 Ø8*30mm	4pcs
(B)	 M6*100mm	8pcs
(L)		1pc

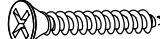
STEP 15:

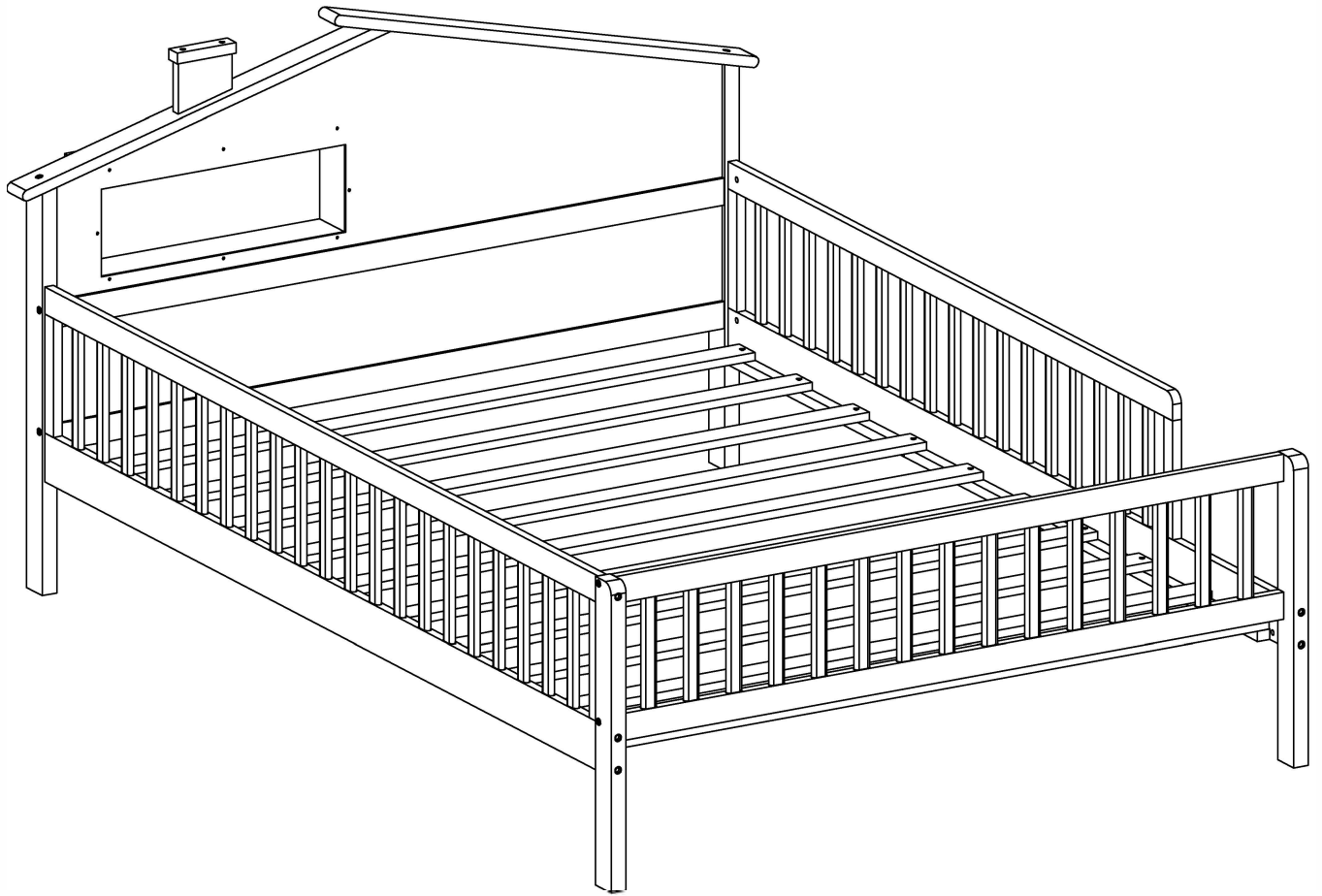


(B)	 M6*100mm	3pcs
(L)		1pc

STEP 16:



(J)	 #8*30mm	20pcs
------------	--	-------



Thank you for choosing this product. We strive to provide you with the best quality products and service in the industry. Should you have any issues, please don't hesitate to contact us.