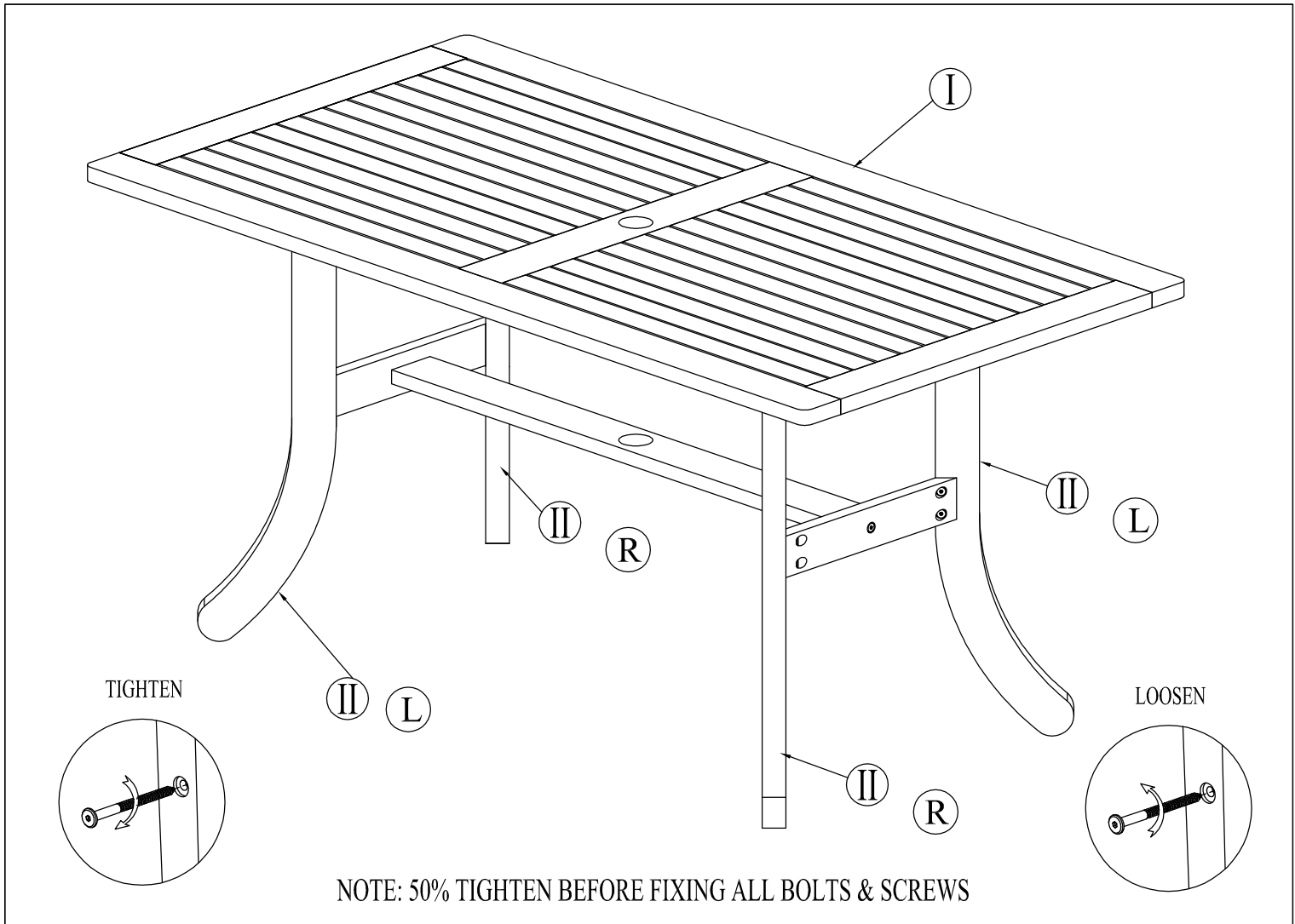


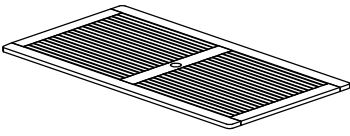
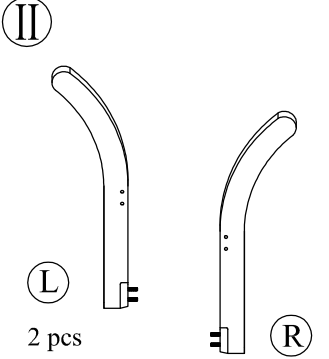
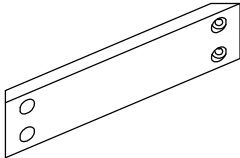
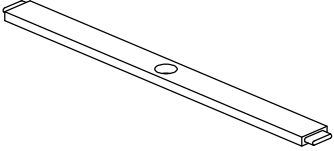
Weight capacity : 75 kgs/ 165 Lbs






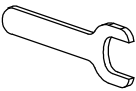




NOTE: 50% TIGHTEN BEFORE FIXING ALL BOLTS & SCREWS

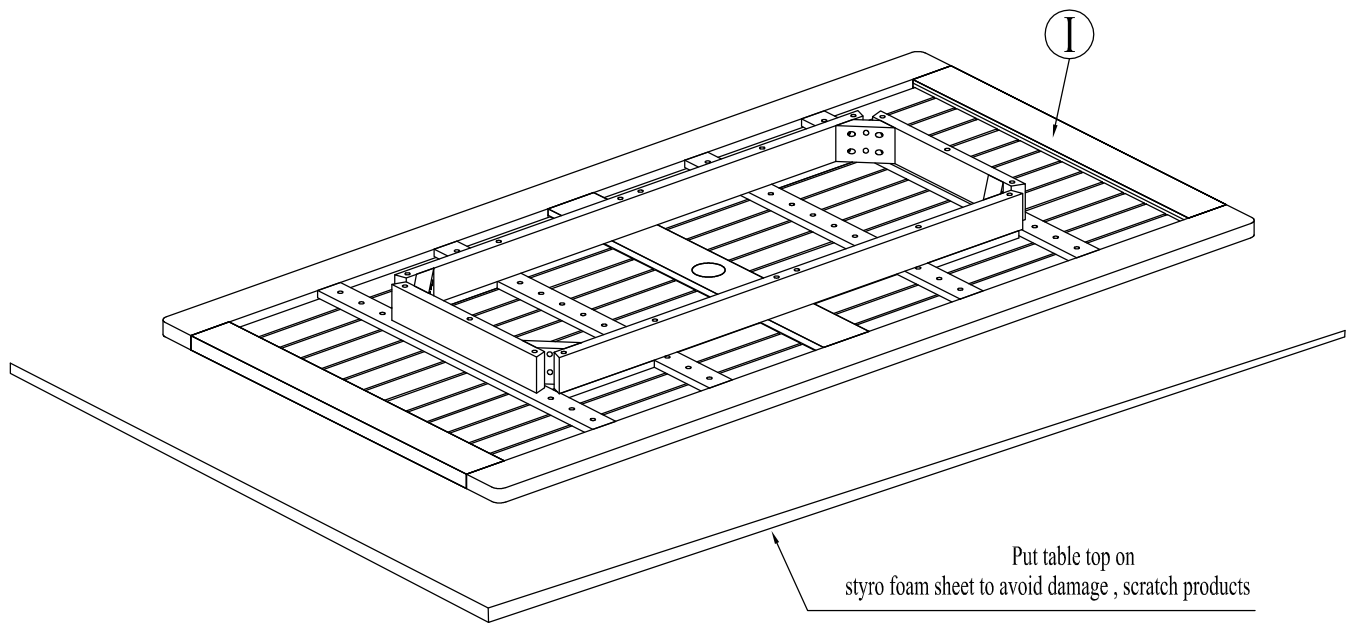
### COMPONENTS LIST

 <p>Q'TY 1</p>	 <p>2 pcs Q'TY 4</p>	 <p>Q'TY 2</p>	 <p>Q'TY 1</p>
--	---	--	---

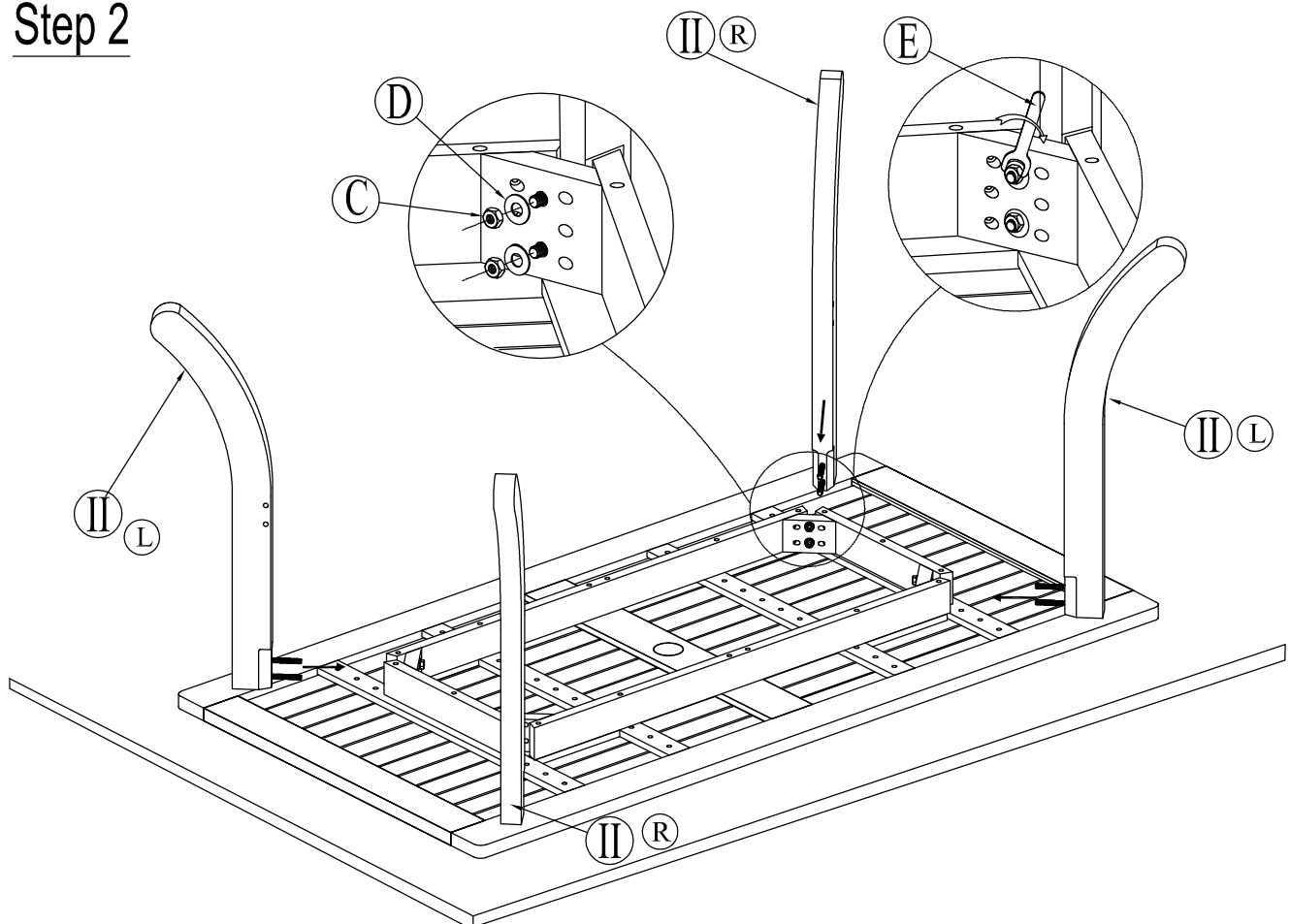
### HARDWARE LIST

A		2	Screw 7 x 60	D		8	Washer
B		8	Screw 7 x 40	E		1	Spanner
C		8	Nut M8	F		2	Allen Key

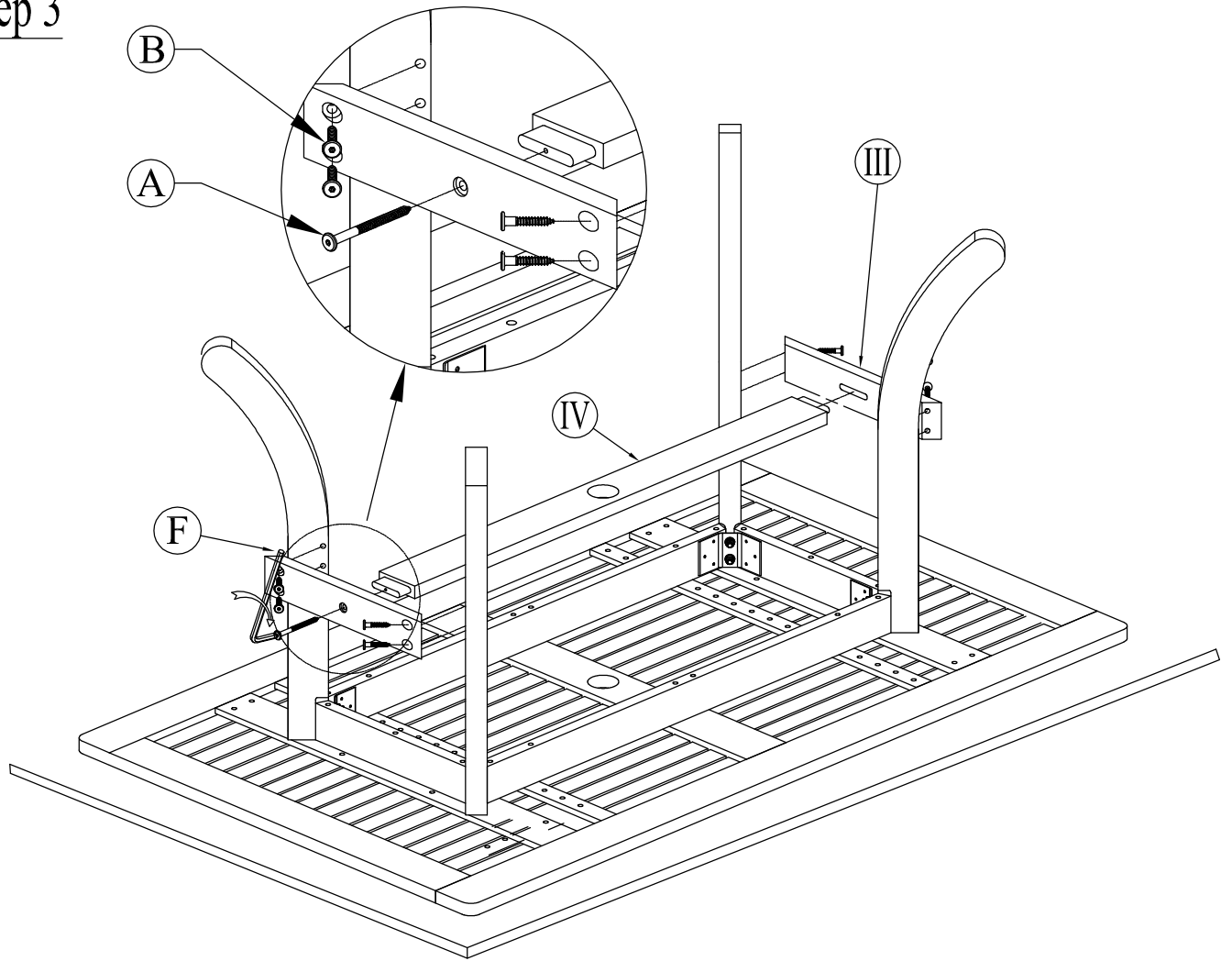
# Step 1



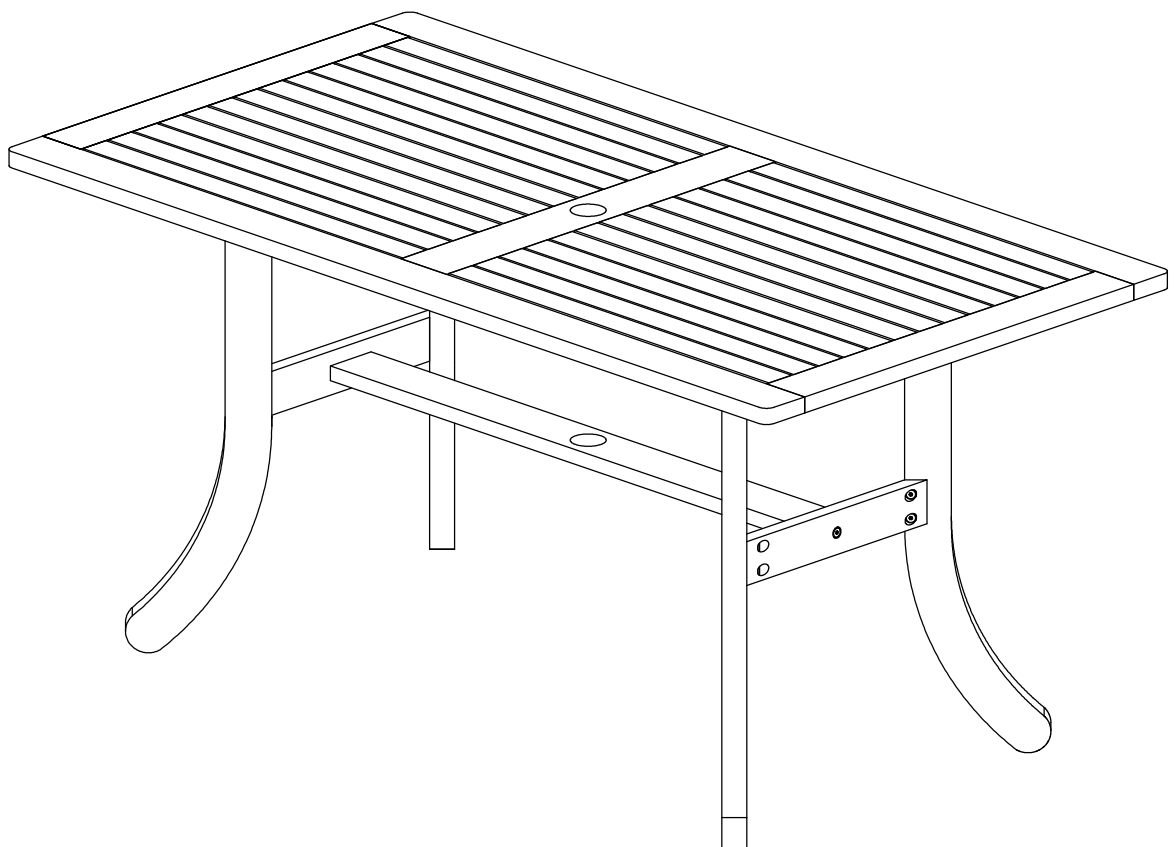
# Step 2

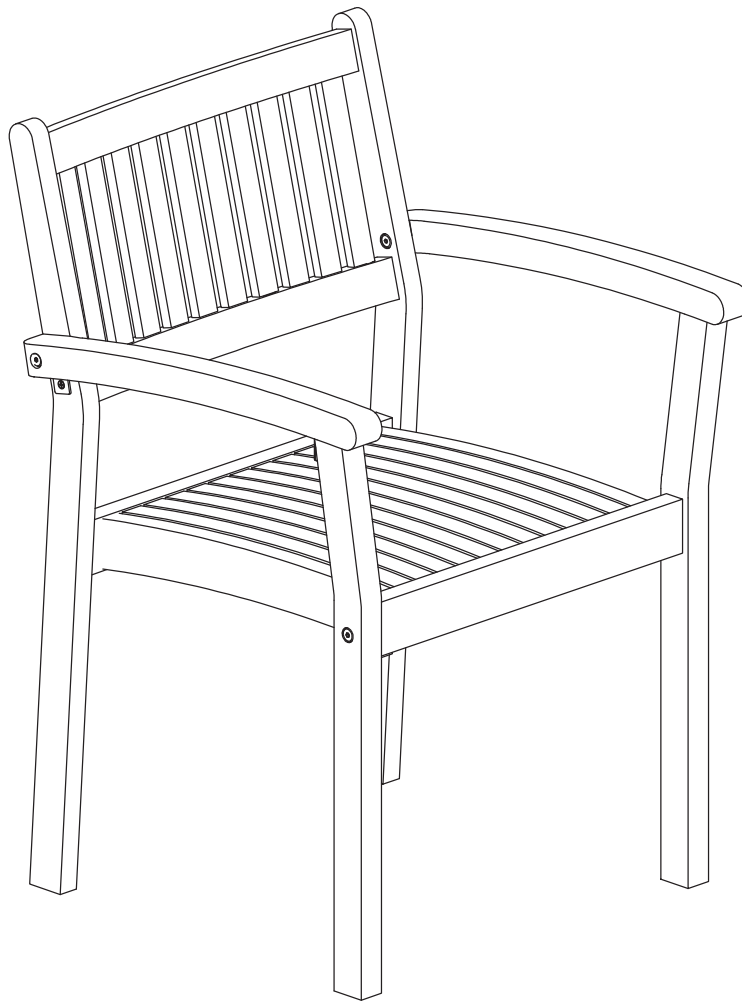


### Step 3



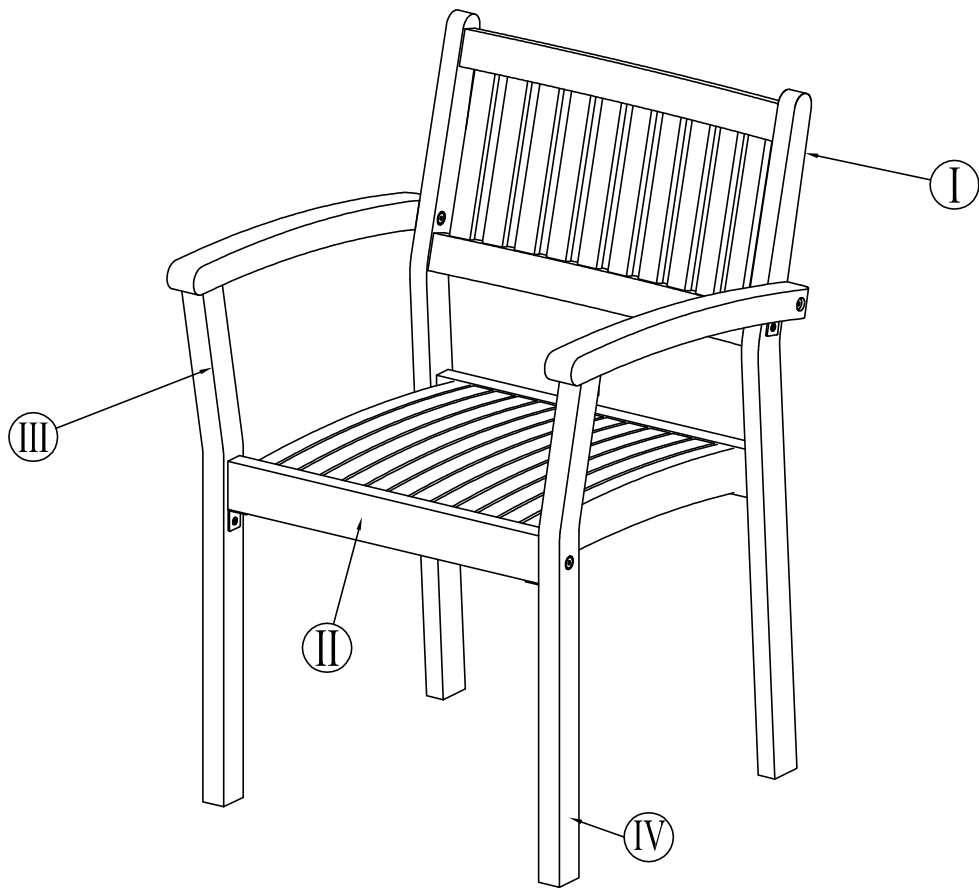
### Step 4





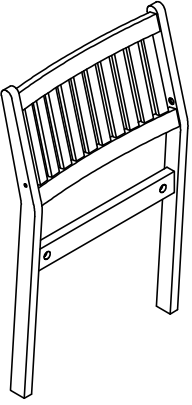
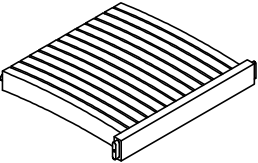
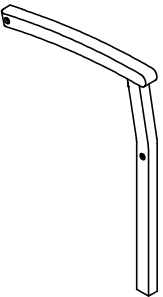
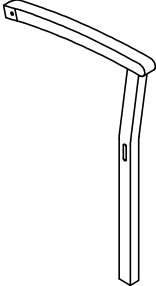
Maximum capacity : 110 kgs/242 Lbs












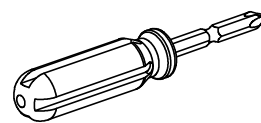
COMPONENTS LIST

HARDWARE LIST

<p>Ⓘ</p>  <p>Q'TY 2</p>	<p>Ⓜ</p>  <p>Q'TY 2</p>
<p>Ⓜ</p>  <p>Q'TY 2</p>	<p>Ⓨ</p>  <p>Q'TY 2</p>

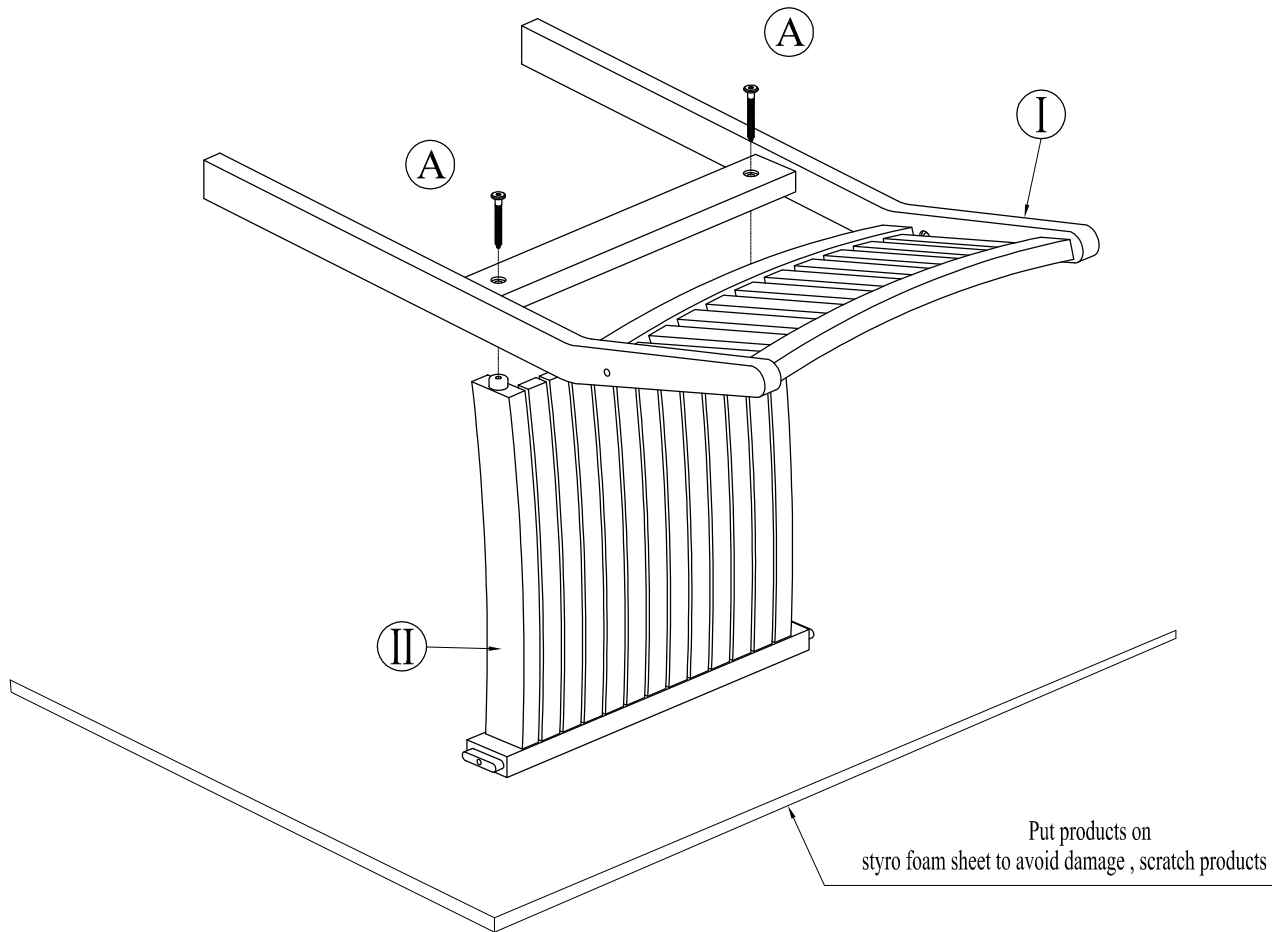
A		2	F - Screw 7x70
B		2	F - Screw 7x90
C		2	F - Bolt 8x50
D		2	Sleeve nut 8 x15
E		4	Metal Bracket
F		8	C- Screw 4x20
G		2	Allen Key

SUPPORTING TOOLS

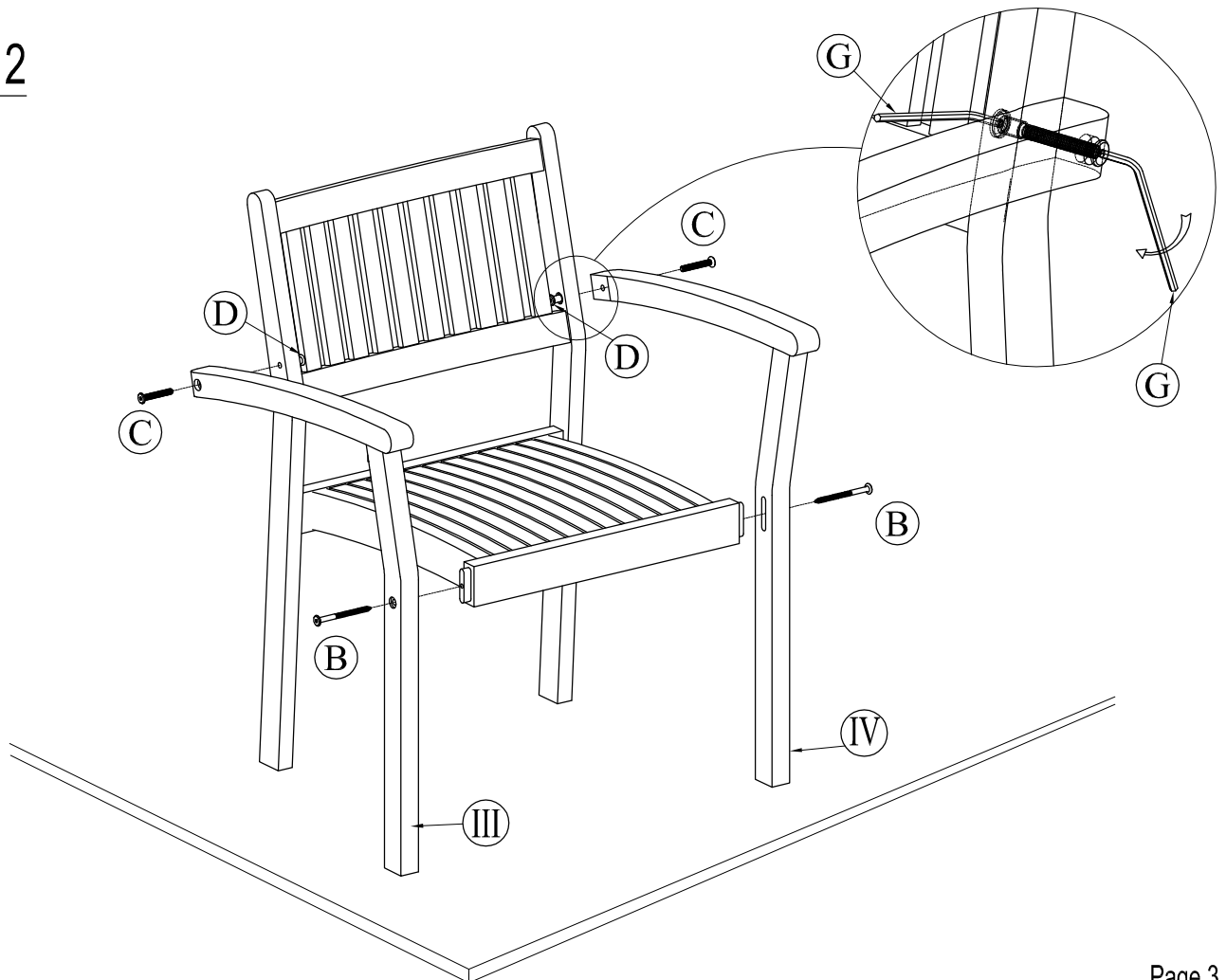


Screw driver

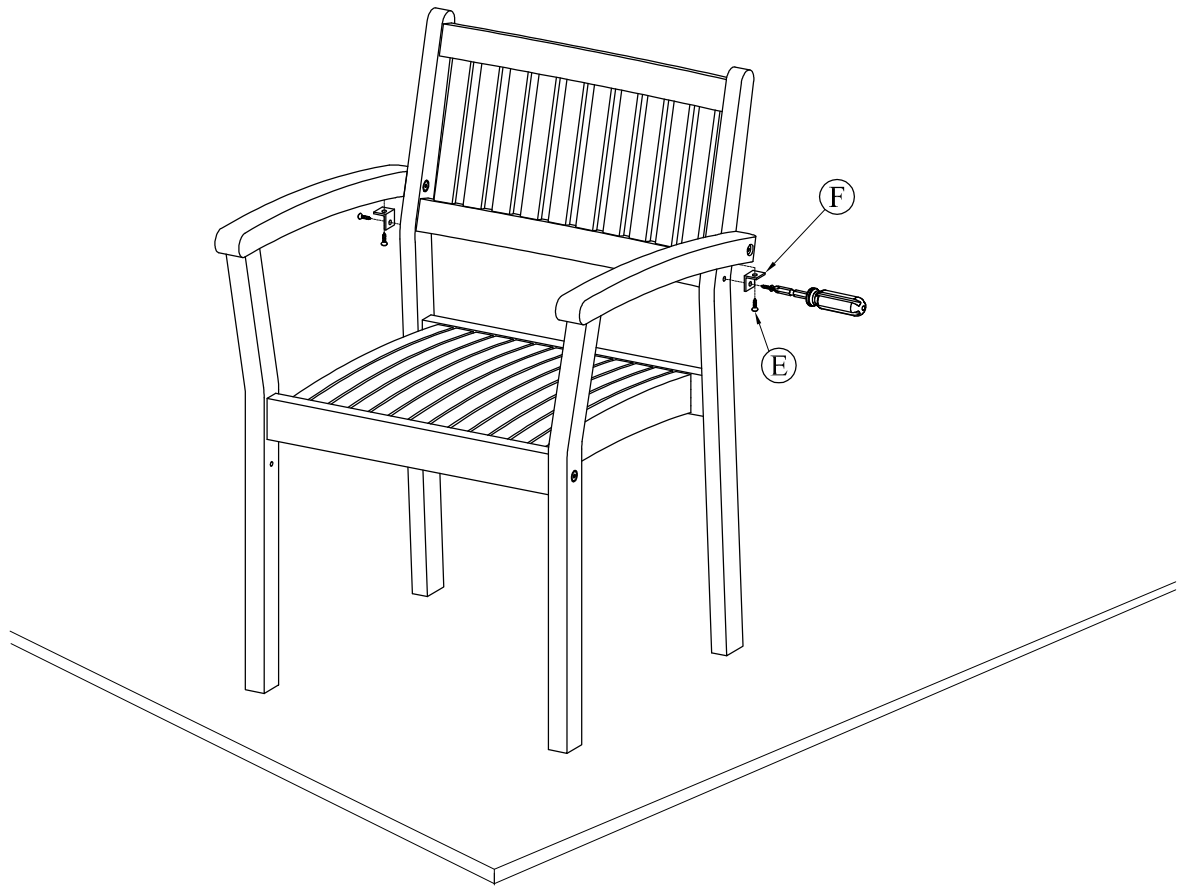
# Step 1



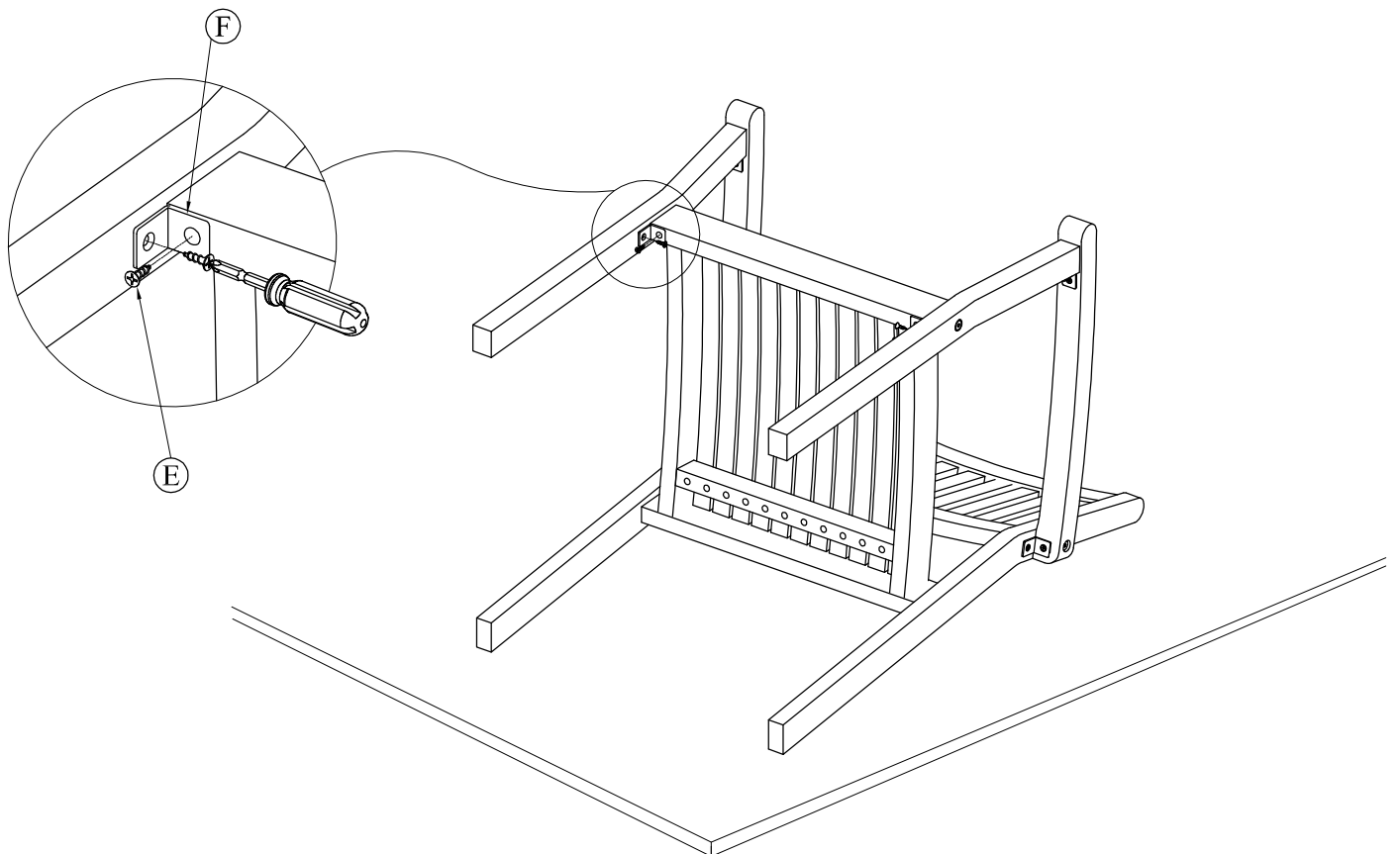
# Step 2

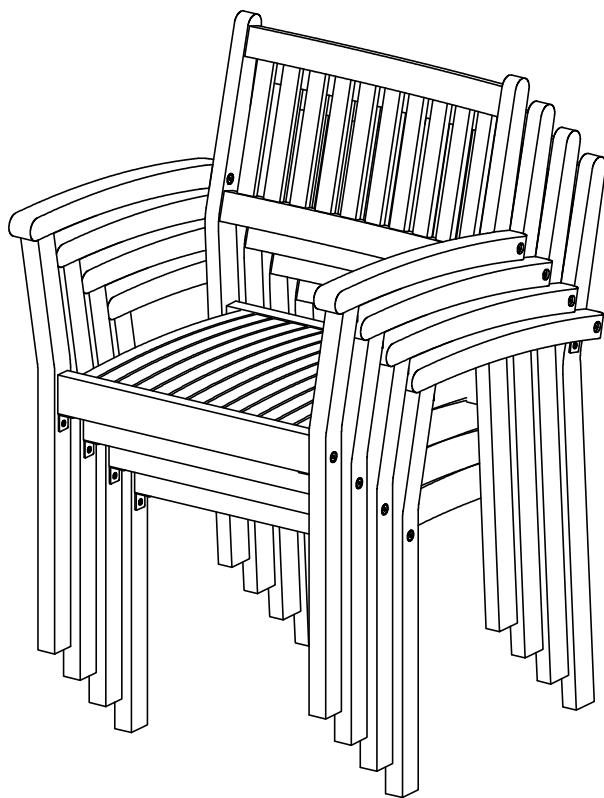
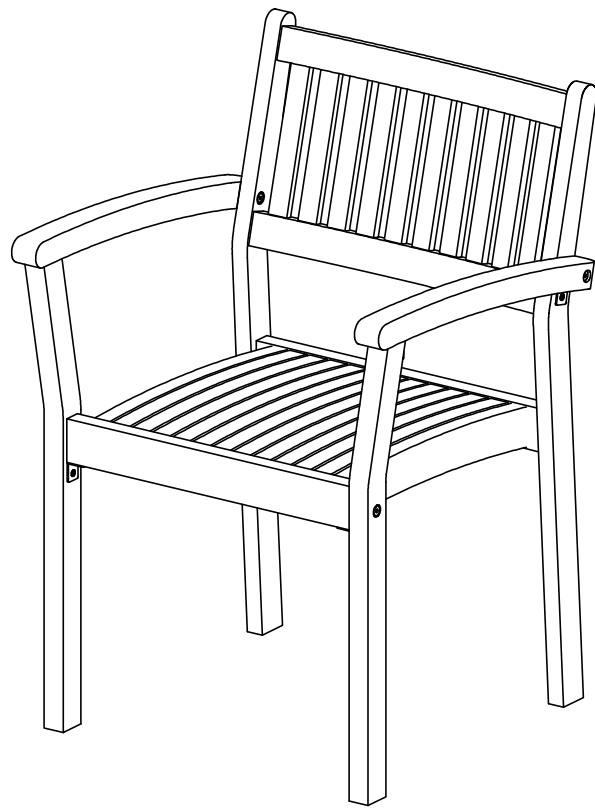


### Step 3



### Step 4





Warning: To ensure safety in using during please should not stack more than 4 chairs