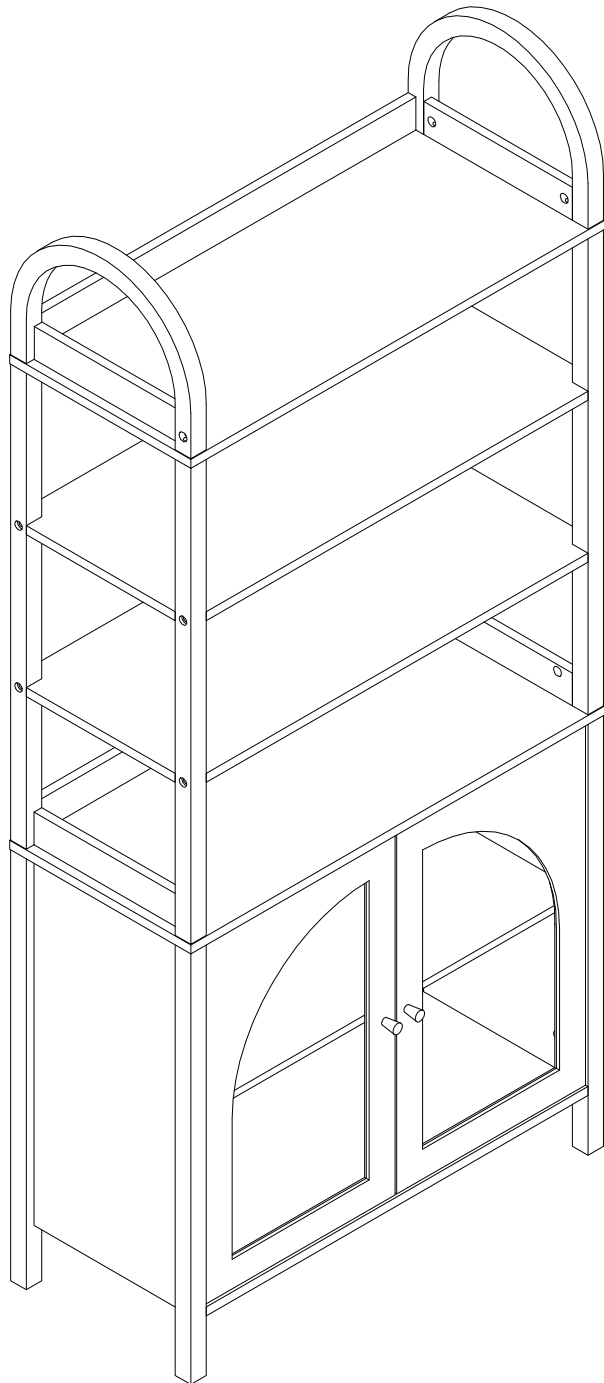


# Assembly Instructions

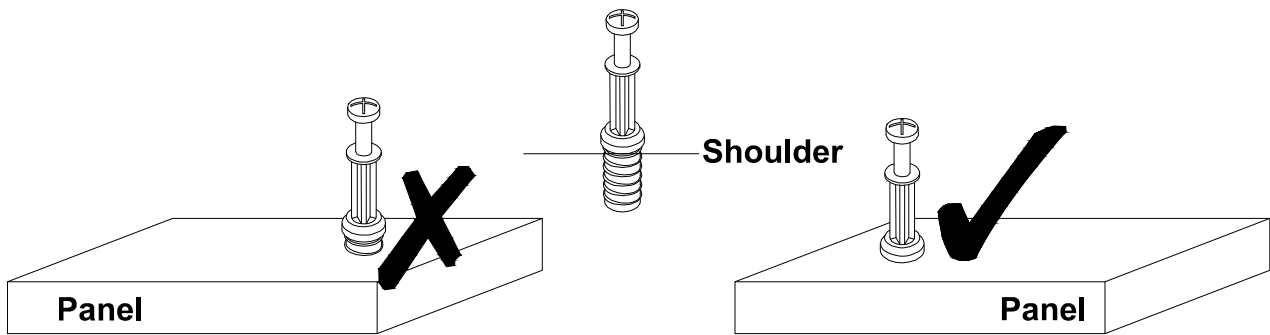


# Before Assembly

## Tips Before Your Start:

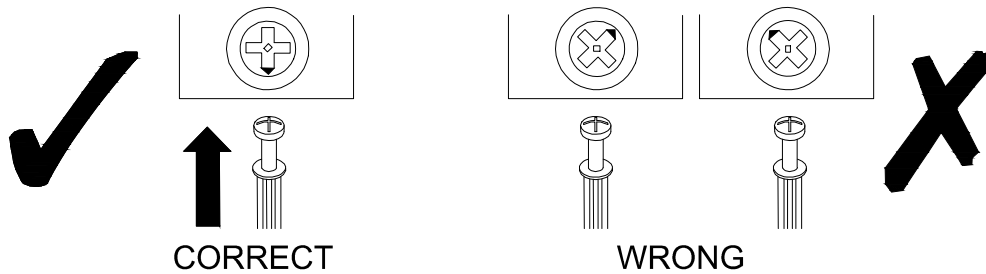
- Remove all wrapping material, including staples & packing straps before you start to assemble.
- DO NOT tighten all screws and bolts until the assembly is completely assembled.
- Keep all hardware parts out of reach of children.

## QUICKFIT



Tighten quickfit until shoulder is flush with panel. Do not overtighten or undertighten.

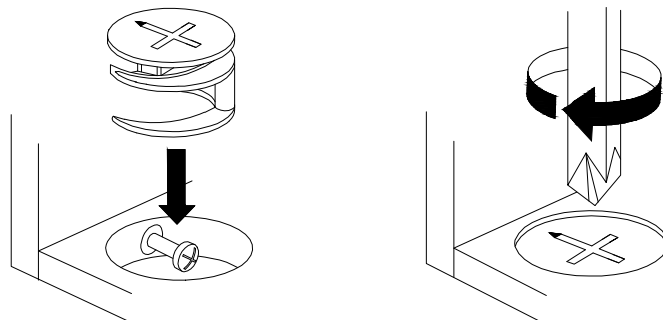
## CAM LOCK



When fitting a cam lock, ensure the starting position is correct before inserting the connecting QUI CKFIT




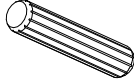
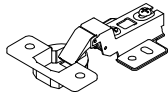
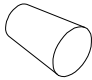
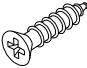
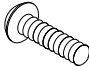

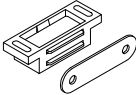
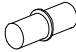

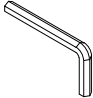
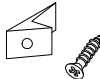
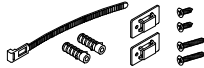
Quickfit head should be in the centre of the cam lock when the two panels are joined.

Cam lock should be inserted before quickfit.

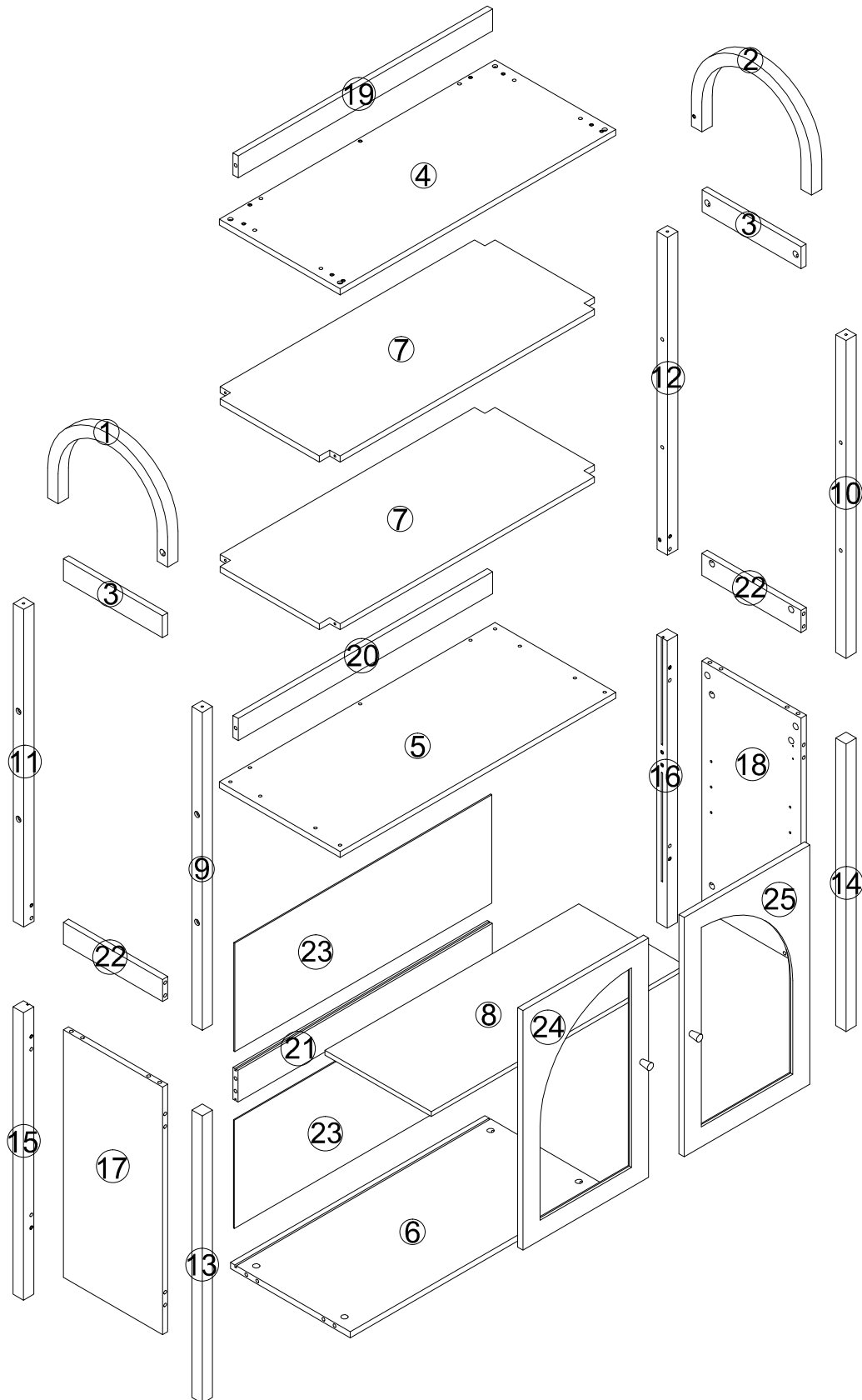


Turn cam lock clockwise to tighten.

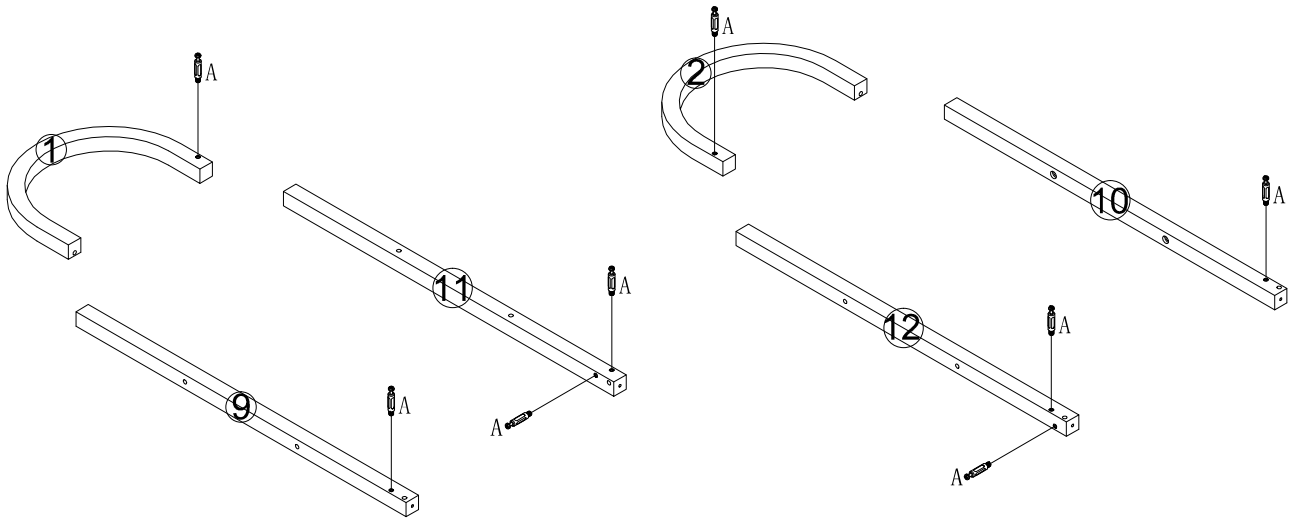
# Part List

<p><b>No. A</b> Quantity:37 Pcs Cam Lock Dowel 8*28mm</p> 	<p><b>No. B</b> Quantity:37 Pcs Cam φ15</p> 	<p><b>No. C</b> Quantity:45 Pcs Sticker Ø20</p> 	<p><b>No. D</b> Quantity:26 Pcs Dowel 8*30mm</p> 
<p><b>No. E</b> Quantity:4 Pcs Hinge</p> 	<p><b>No. F</b> Quantity:2 Pcs Handle</p> 	<p><b>No. G</b> Quantity:32 Pcs Screw M3.5*14mm</p> 	<p><b>No. H</b> Quantity:2 Pcs Screw M4*18mm</p> 
<p><b>No. I</b> Quantity:4 Pcs Foot Pad Ø15</p> 	<p><b>No. J</b> Quantity:2 Sets Magnetic Door Catcher</p> 	<p><b>No. K</b> Quantity:4 Pcs Shelf Support M5*15mm</p> 	<p><b>No. L</b> Quantity:23 Pcs Screw M6*40mm</p> 
<p><b>No. M</b> Quantity:1 Pcs Allen Key 4#</p> 	<p><b>No. N</b> Quantity:8 Sets Plastic Wedge</p> 	<p><b>No. O</b> Quantity:1 Sets Anti-falling Parts</p> 	

# Product structure



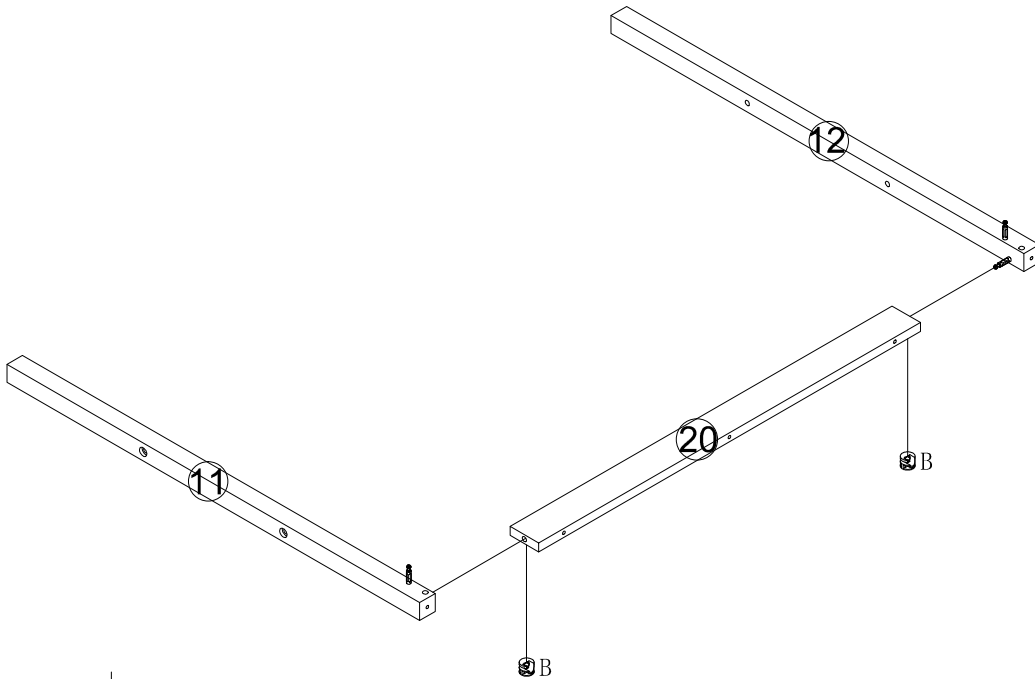
# STEP 1



No. A  
Quantity: 8 Pcs  
8\*28 mm



# STEP 2



No. B  
Quantity: 2 Pcs  
Ø15

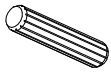


# STEP 3

No. B  
Quantity: 2 Pcs  
Ø15



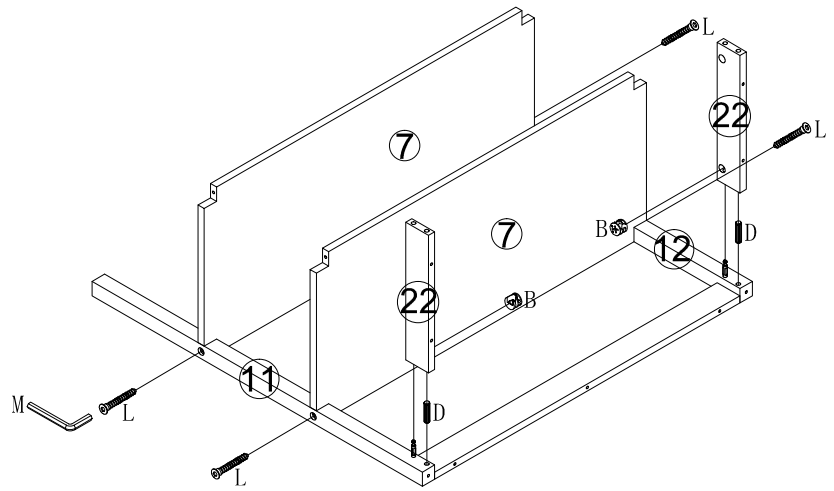
No. D  
Quantity: 2 Pcs  
8\*30mm



No. L  
Quantity: 4 Pcs  
M6\*40mm



No. M  
Quantity: 1 Pcs  
4#

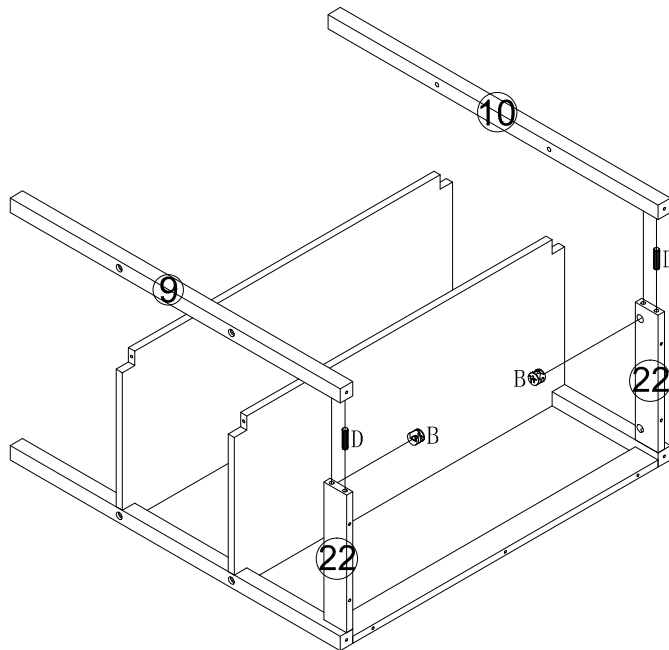
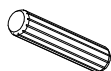


# STEP 4

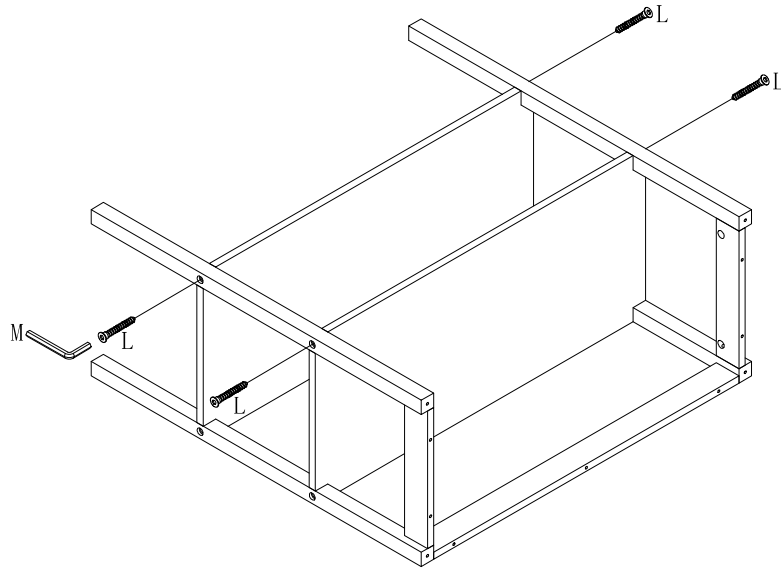
No. B  
Quantity: 2 Pcs  
Ø15



No. D  
Quantity: 2 Pcs  
8\*30mm



# STEP 5



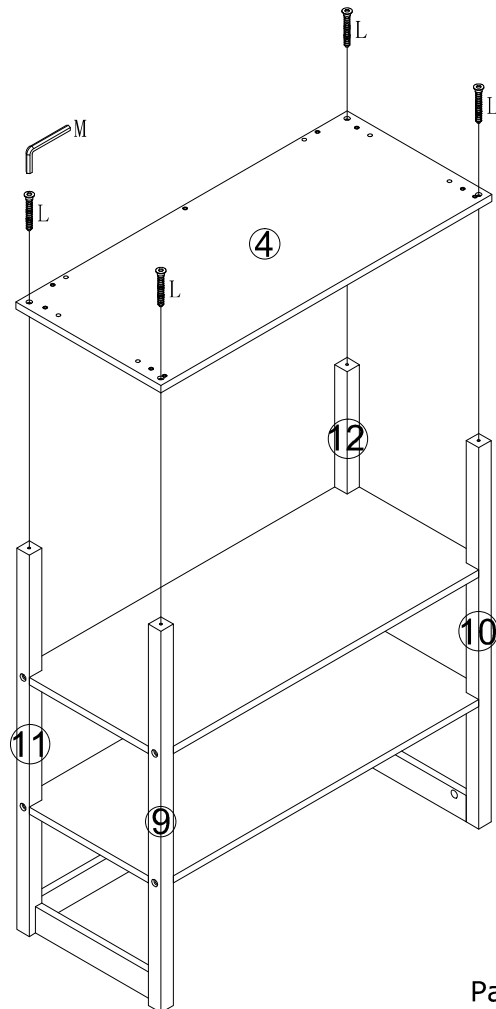
No. L  
Quantity: 4 Pcs  
M6\*40mm



No. M  
Quantity: 1 Pcs  
4#



# STEP 6



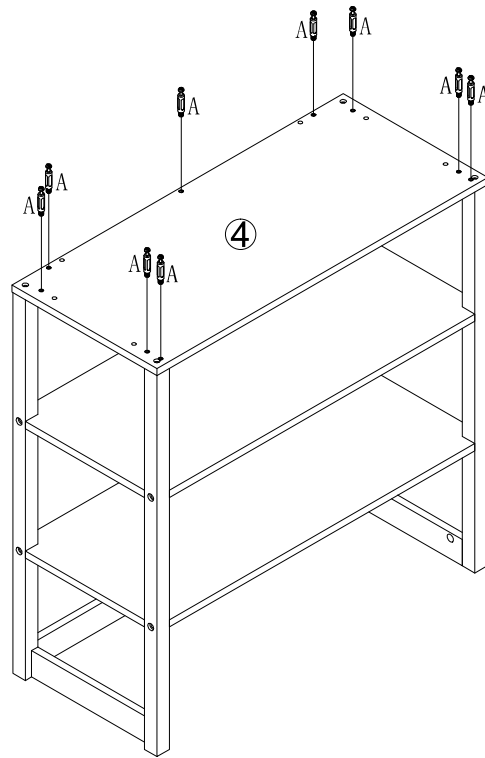
No. L  
Quantity: 4 Pcs  
M6\*40mm



No. M  
Quantity: 1 Pcs  
4#



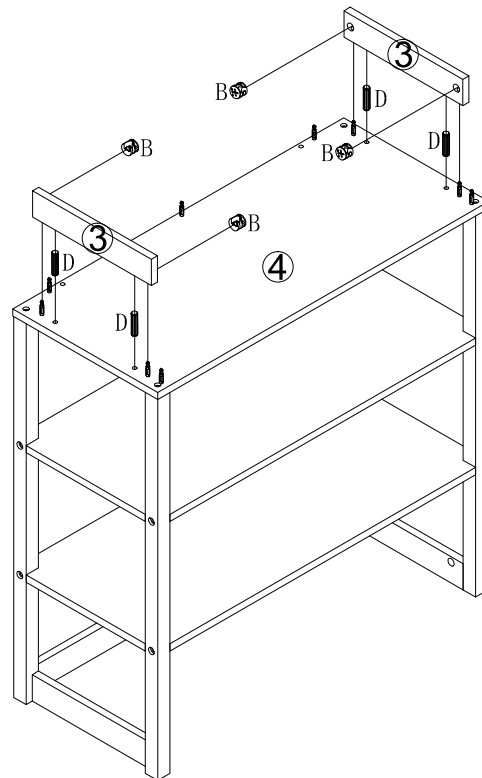
# STEP 7



No. A  
Quantity: 9 Pcs  
8\*28 mm



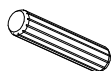
# STEP 8



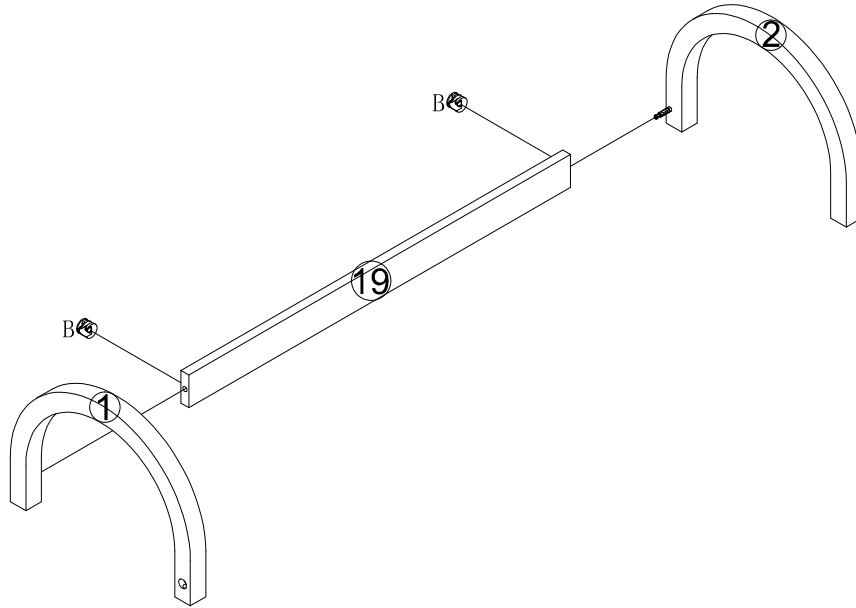
No. B  
Quantity: 4 Pcs  
Ø15



No. D  
Quantity: 4 Pcs  
8\*30mm



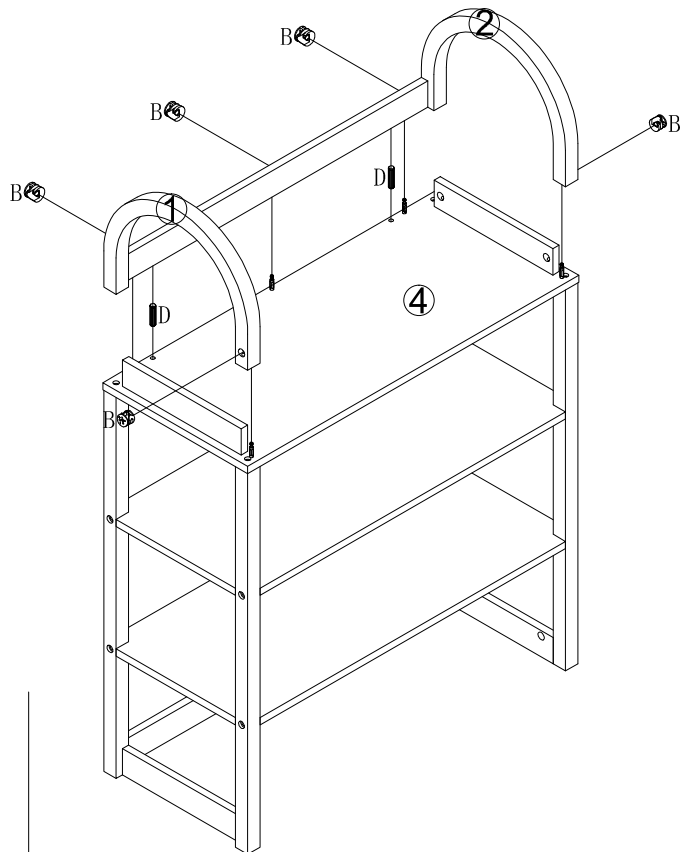
# STEP 9



No. B  
Quantity: 2 Pcs  
Ø15



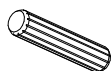
# STEP 10



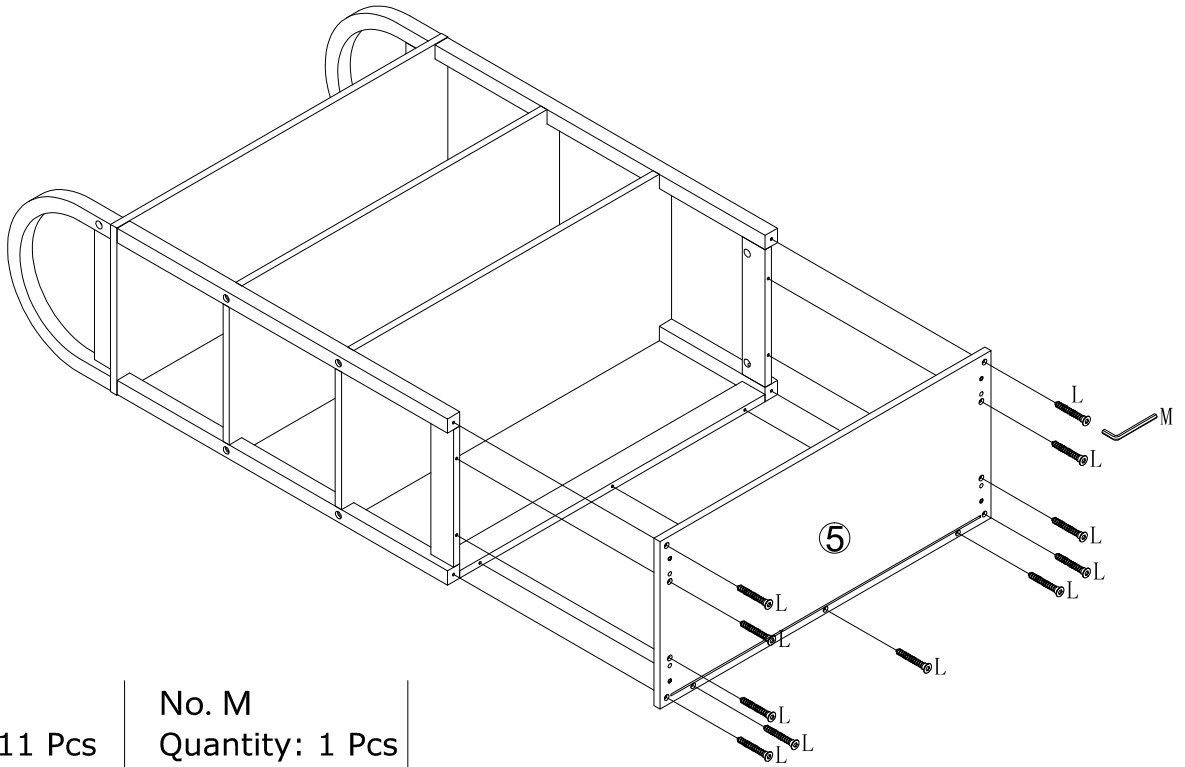
No. B  
Quantity: 5 Pcs  
Ø15



No. D  
Quantity: 2 Pcs  
8\*30mm



# STEP 11



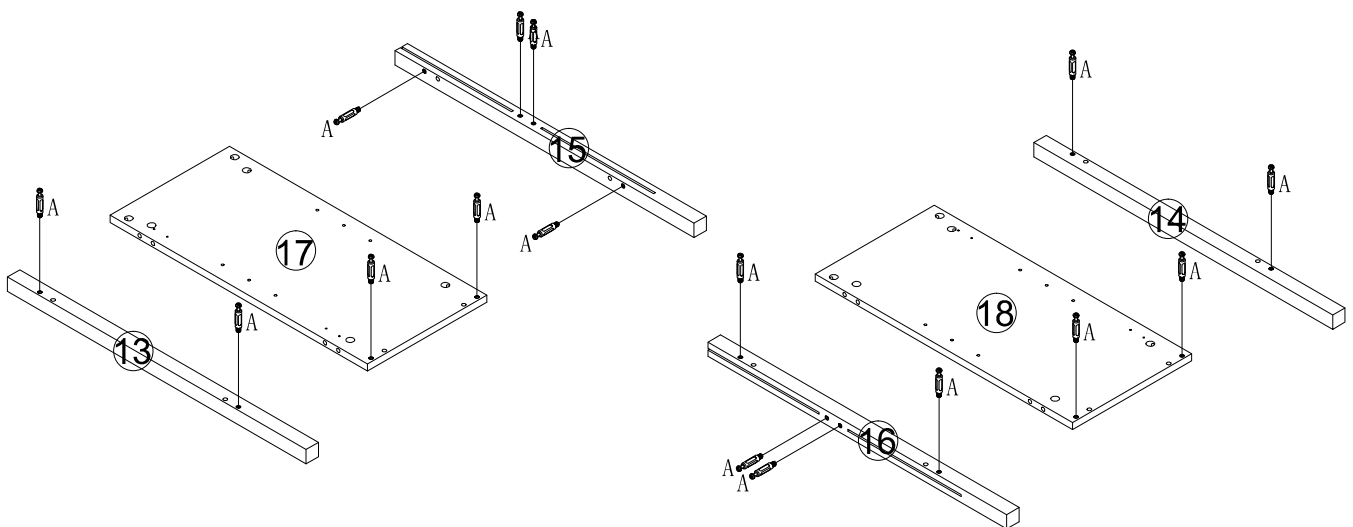
No. L  
Quantity: 11 Pcs  
M6\*40mm



No. M  
Quantity: 1 Pcs  
4#



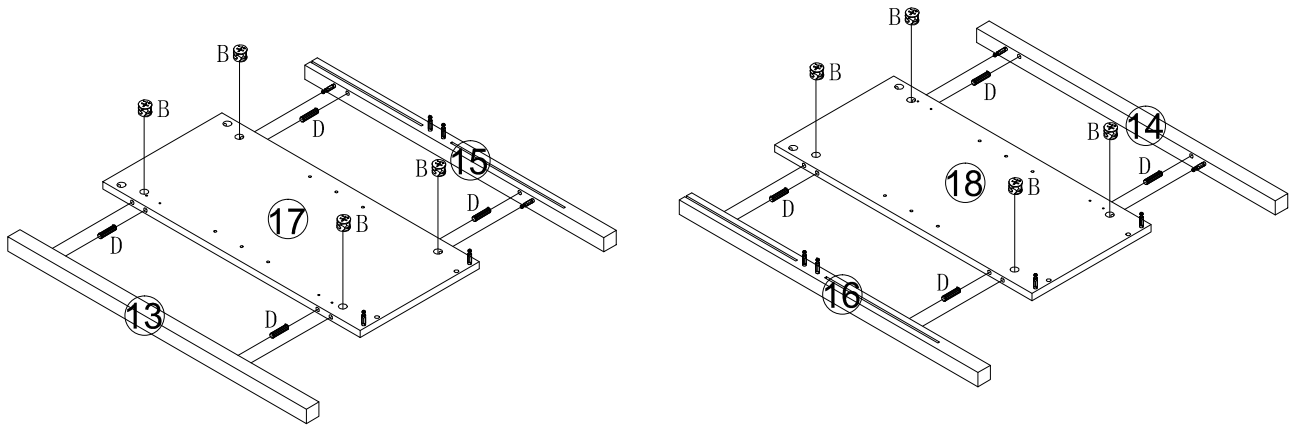
# STEP 12



No. A  
Quantity: 16 Pcs  
8\*28 mm



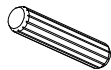
# STEP 13



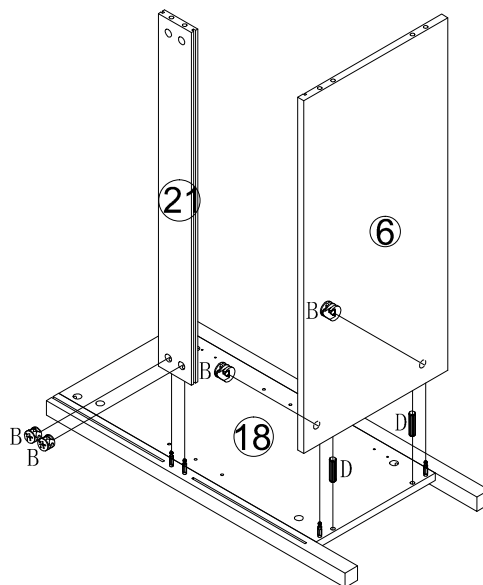
No. B  
Quantity: 8 Pcs  
Ø15



No. D  
Quantity: 8 Pcs  
8\*30mm



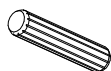
# STEP 14



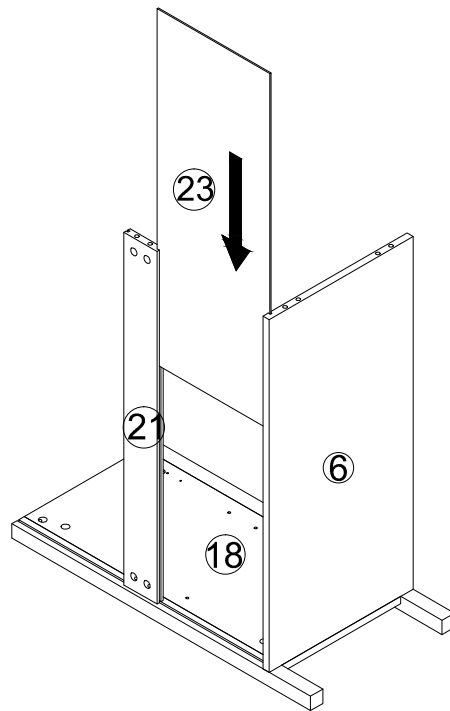
No. B  
Quantity: 4 Pcs  
Ø15



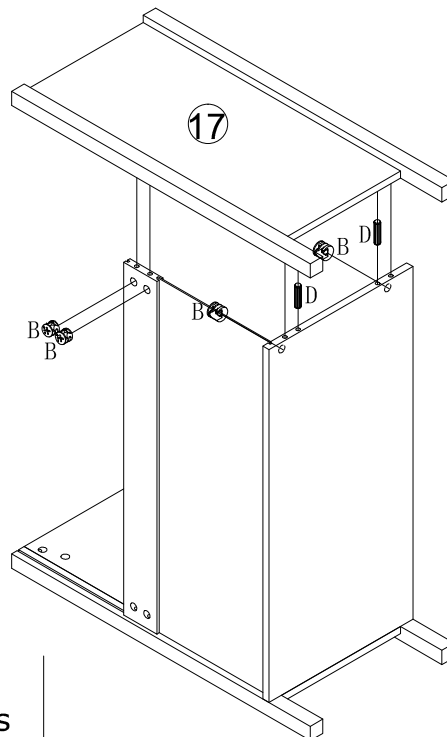
No. D  
Quantity: 2 Pcs  
8\*30mm



# STEP 15



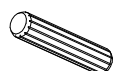
# STEP 16



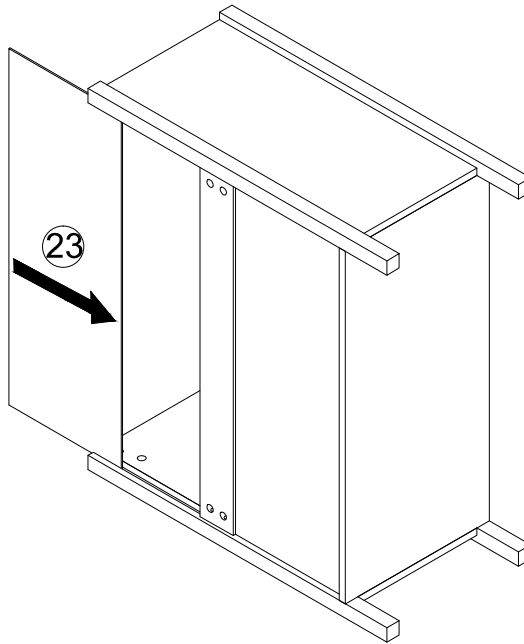
No. B  
Quantity: 4 Pcs  
Ø15



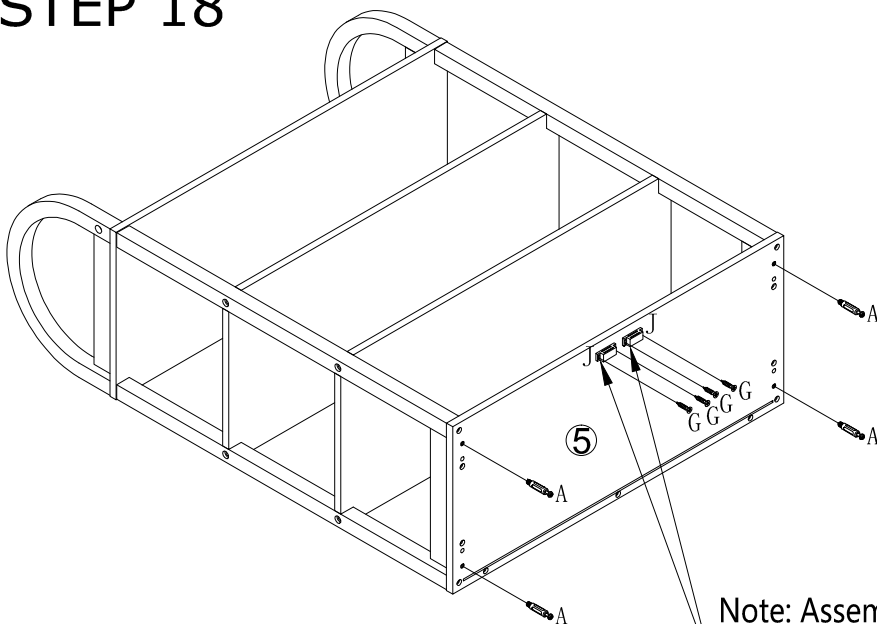
No. D  
Quantity: 2 Pcs  
8\*30mm



# STEP 17



# STEP 18



Note: Assemble with the magnetic side facing outwards.

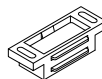
No. A  
Quantity: 4 Pcs  
8\*28 mm



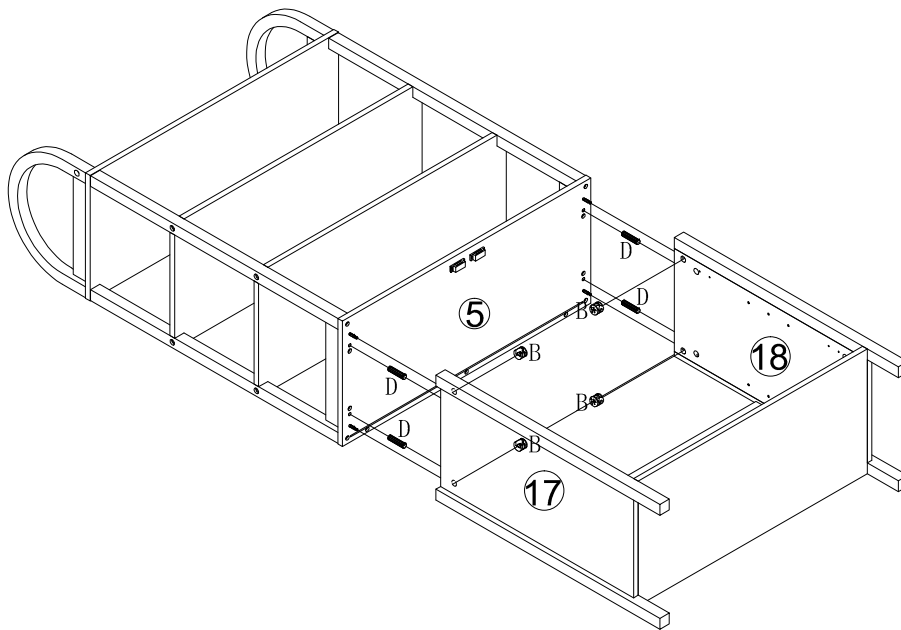
No. G  
Quantity: 4 Pcs  
M3.5\*14mm



No. J  
Quantity: 2 Pcs



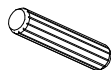
# STEP 19



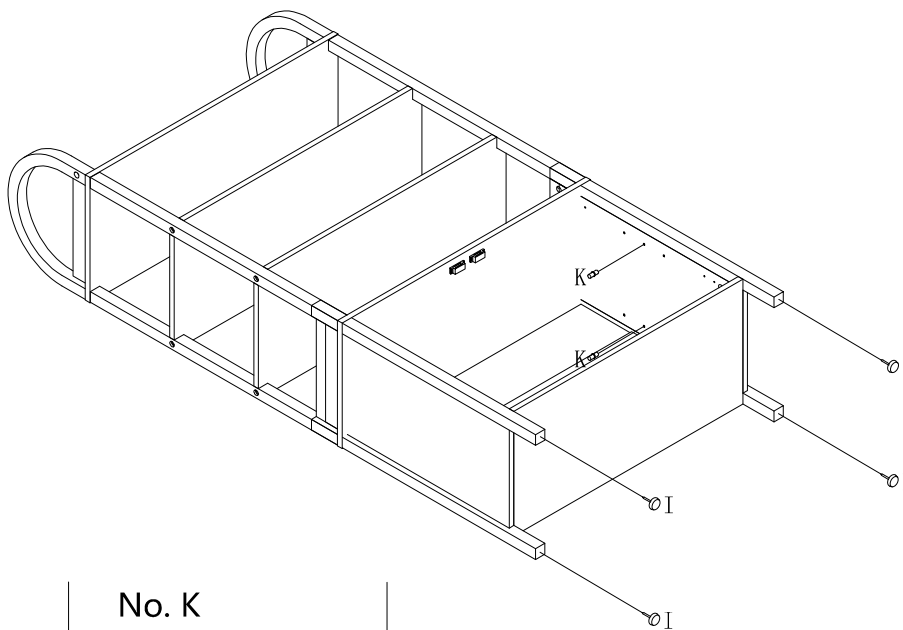
No. B  
Quantity: 4 Pcs  
Ø15



No. D  
Quantity: 4 Pcs  
8\*30mm



# STEP 20



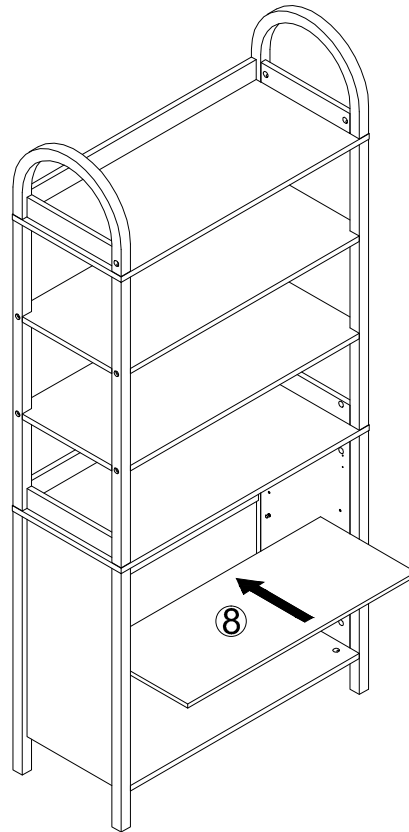
No. I  
Quantity: 4 Pcs  
Ø15



No. K  
Quantity: 4 Pcs  
M5\*15mm

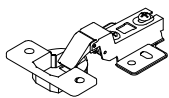


# STEP 21



# STEP 22

No. E  
Quantity: 4 Pcs



No. F  
Quantity: 2 Pcs



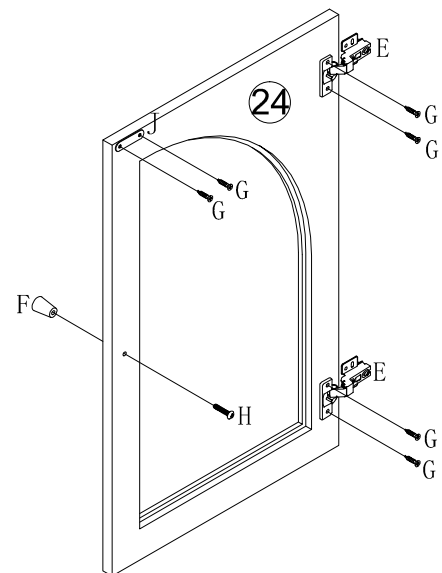
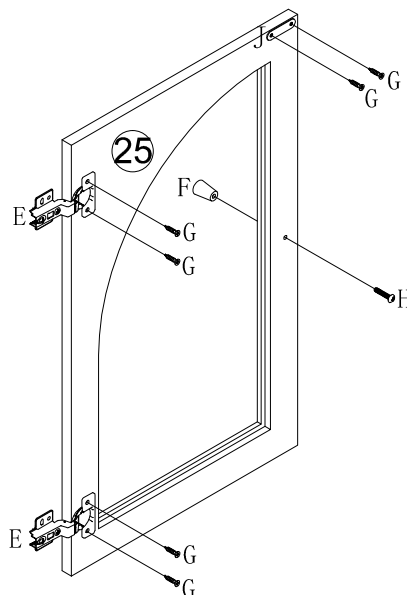
No. G  
Quantity: 12 Pcs  
M3.5\*14mm



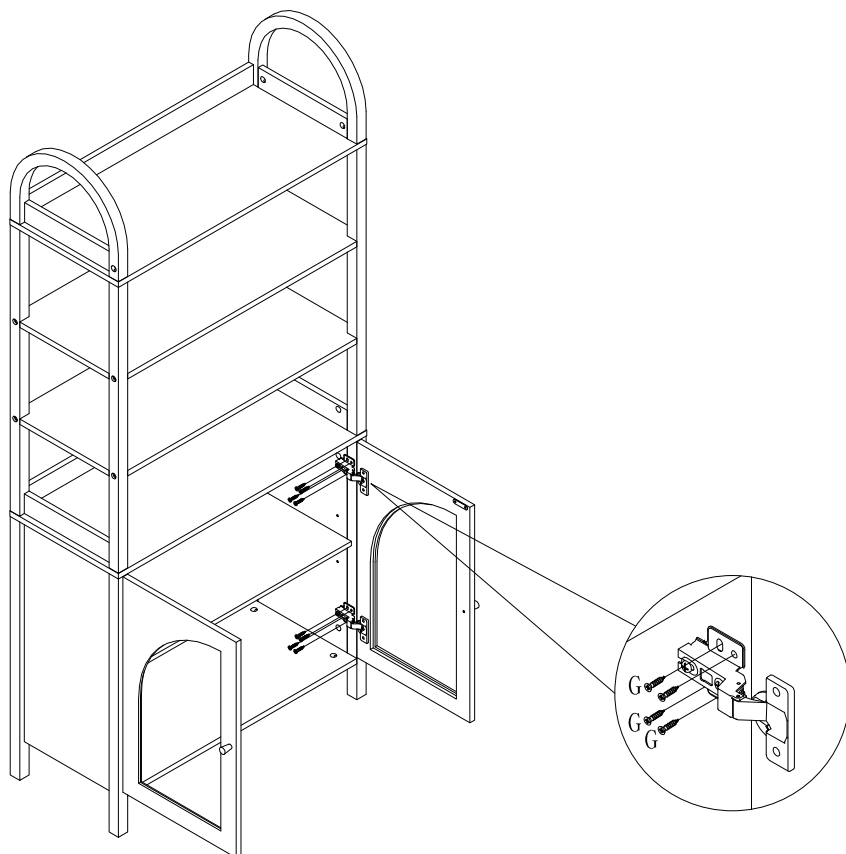
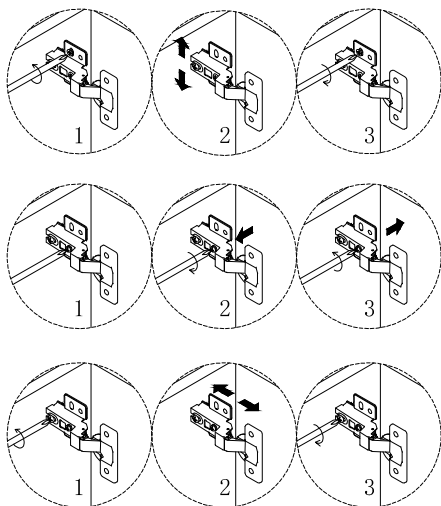
No. H  
Quantity: 2 Pcs  
M4\*18mm



No. J  
Quantity: 2 Pcs



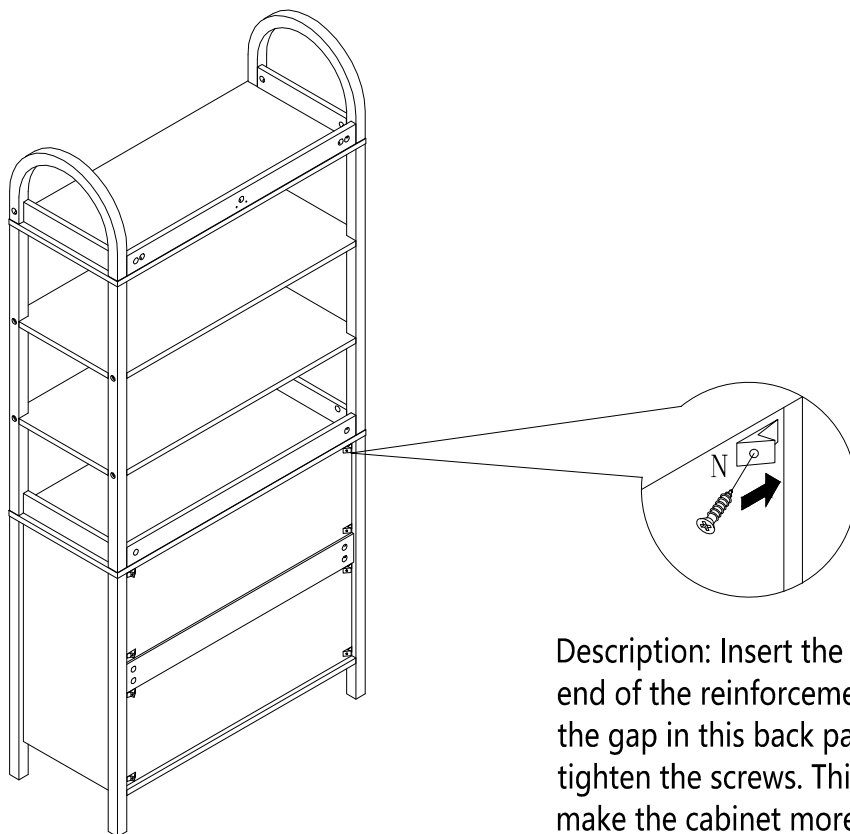
## STEP 23



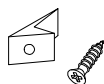
No. G  
Quantity: 16 Pcs  
M3.5\*14mm



## STEP 24

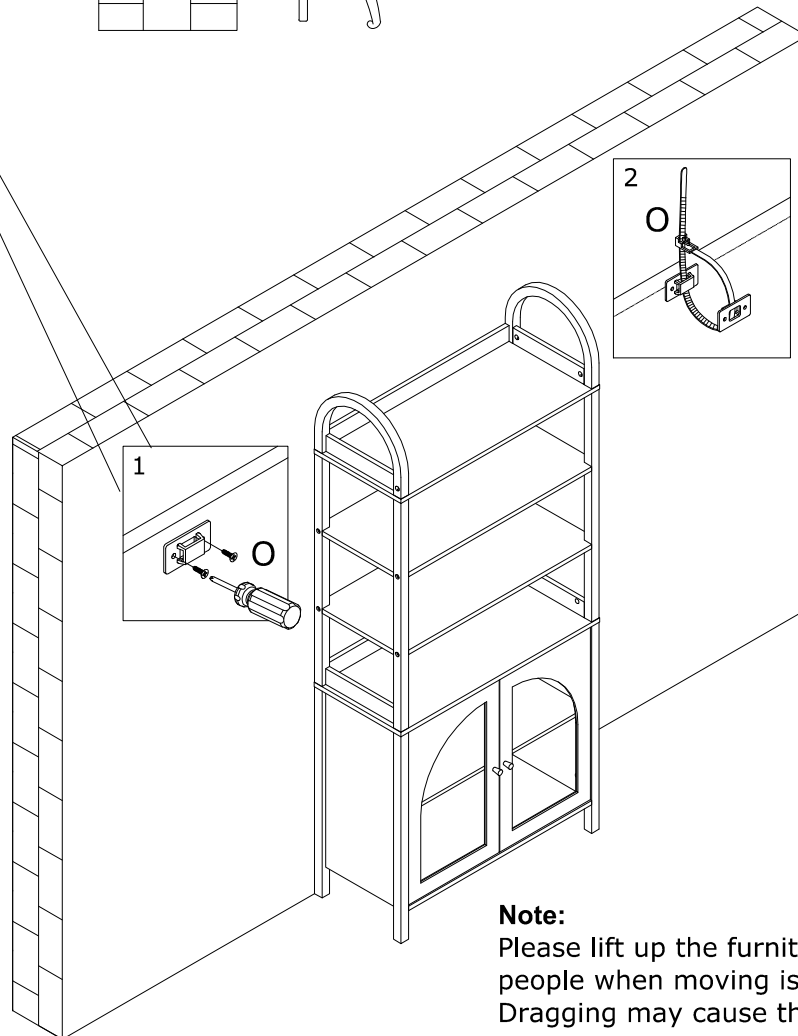
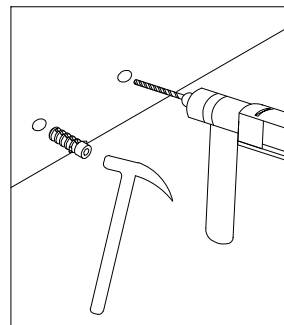
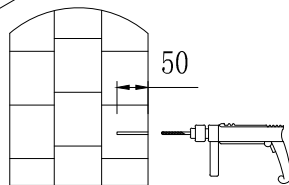
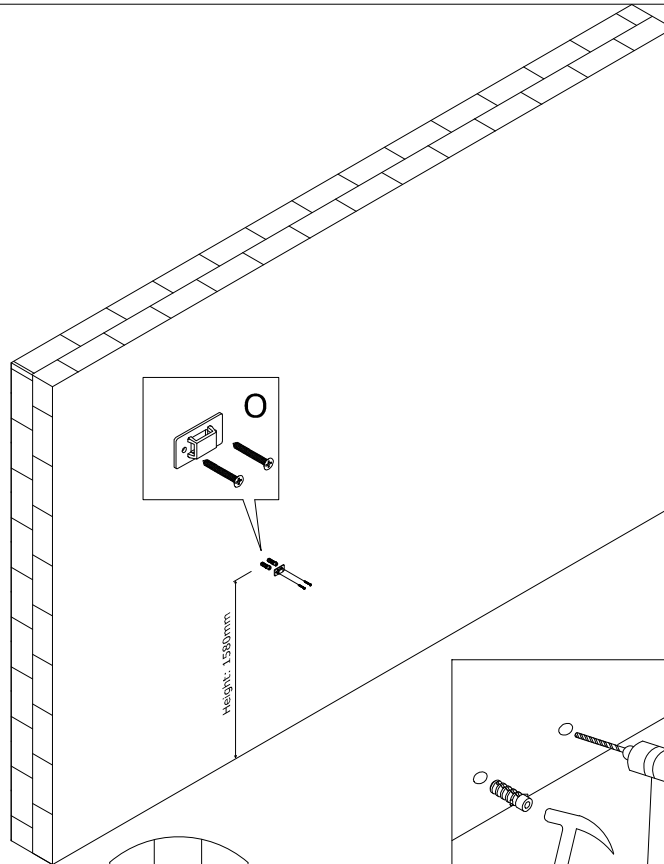
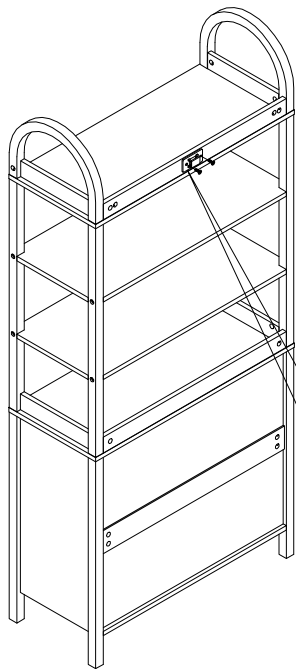


No. N  
Quantity: 8 Sets

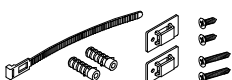


Description: Insert the thinner end of the reinforcement into the gap in this back panel, then tighten the screws. This will make the cabinet more stable.

# STEP 25



No. O  
Quantity: 1 Sets



**Note:**  
Please lift up the furniture by two people when moving is needed.  
Dragging may cause the legs failure.