



# Assembly Instructions

**B3907-110 SUNSTONE 6/6-6/0 EK/WK PANEL HEADBOARD**  
**B3907-120 SUNSTONE 6/6-6/0 EK/WK PANEL FOOTBOARD & SLATS**  
**B3907-230 SUNSTONE 6/0 WK PANEL SIDE RAILS**

Thank you for purchasing this quality product. Be sure to check all packing materials carefully for small parts, which may have come loose inside the carton during shipment. Identify and count all items and compare with the PARTS LIST and/or HARDWARE LIST shown below.

**Caution:** Please read the instructions thoroughly before assembly.

1. We recommend that you assemble this product with the assistance of another person: this will make the assembly easier, and will help eliminate damage to the product or injury to person during assembly.
2. Please do not over tighten screws or bolts until the assembly is completed.
3. Please put all parts on a non-abrasive floor before assembly, and follow the assembly steps to assemble your newly purchased product correctly and efficiently.

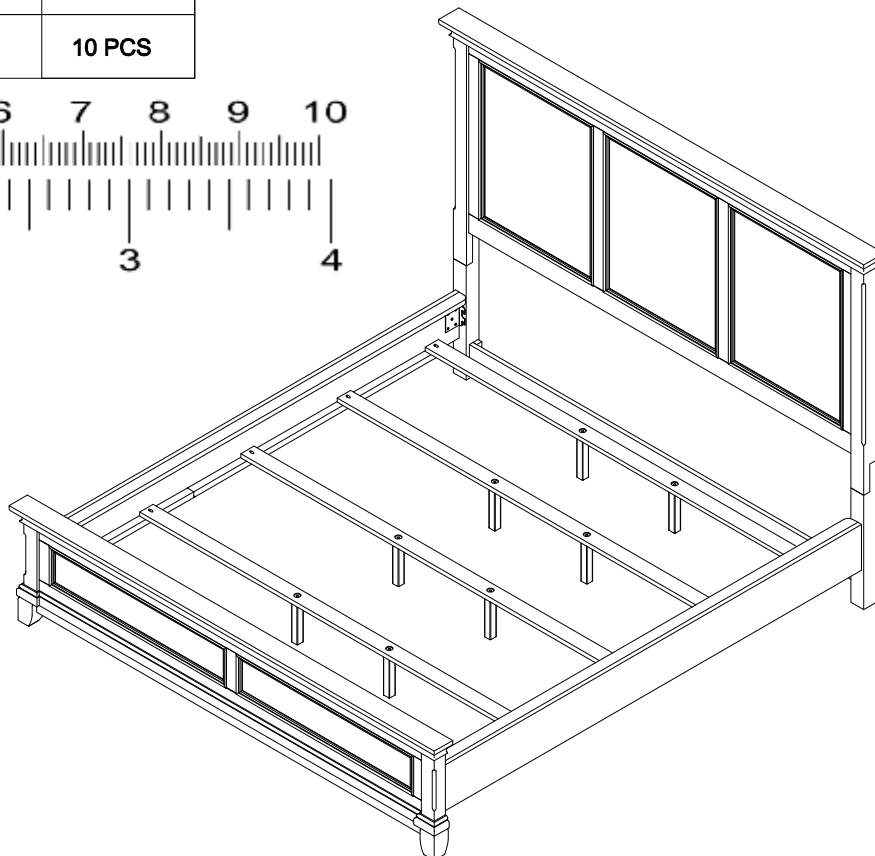
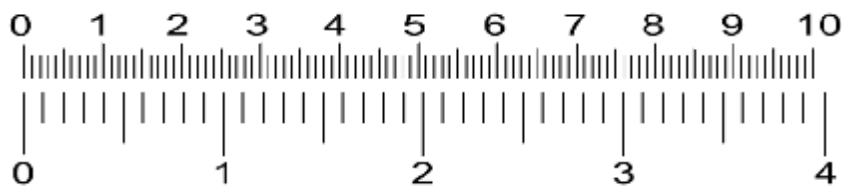
## PARTS LIST

| NO: | COMPONENT                      | ADRAWING | Q'TY   |
|-----|--------------------------------|----------|--------|
| A   | Headboard                      |          | 1 PC   |
| B   | Footboard                      |          | 1 PC   |
| C   | Side Rails                     |          | 2 PCS  |
| D   | Headboard Crossbar             |          | 1 PC   |
| E   | Left Side Facing (LSF) HB Leg  |          | 1 PC   |
| F   | Right Side Facing (RSF) HB Leg |          | 1 PC   |
| G   | Slats                          |          | 5 PCS  |
| H   | Support Legs                   |          | 10 PCS |

## HARDWARE LIST

| NO: | COMPONENT               | ADRAWING | Q'TY   |
|-----|-------------------------|----------|--------|
| 1   | Bolt Ø5/16"x3/4"        |          | 8 PCS  |
| 2   | Bolt Ø5/16"x1-3/8"      |          | 4 PCS  |
| 3   | Bolt Ø5/16"x2"          |          | 6 PCS  |
| 4   | Lock Washer Ø5/16"      |          | 18 PCS |
| 5   | Flat Washer Ø5/16"x3/4" |          | 18 PCS |
| 6   | Allen Key 4mm           |          | 1 PC   |
| 7   | Screw #8*1-1/4"         |          | 10 PCS |

|                 |         |
|-----------------|---------|
| Weight Capacity | 800 LBS |
|-----------------|---------|



# Assembly Instructions

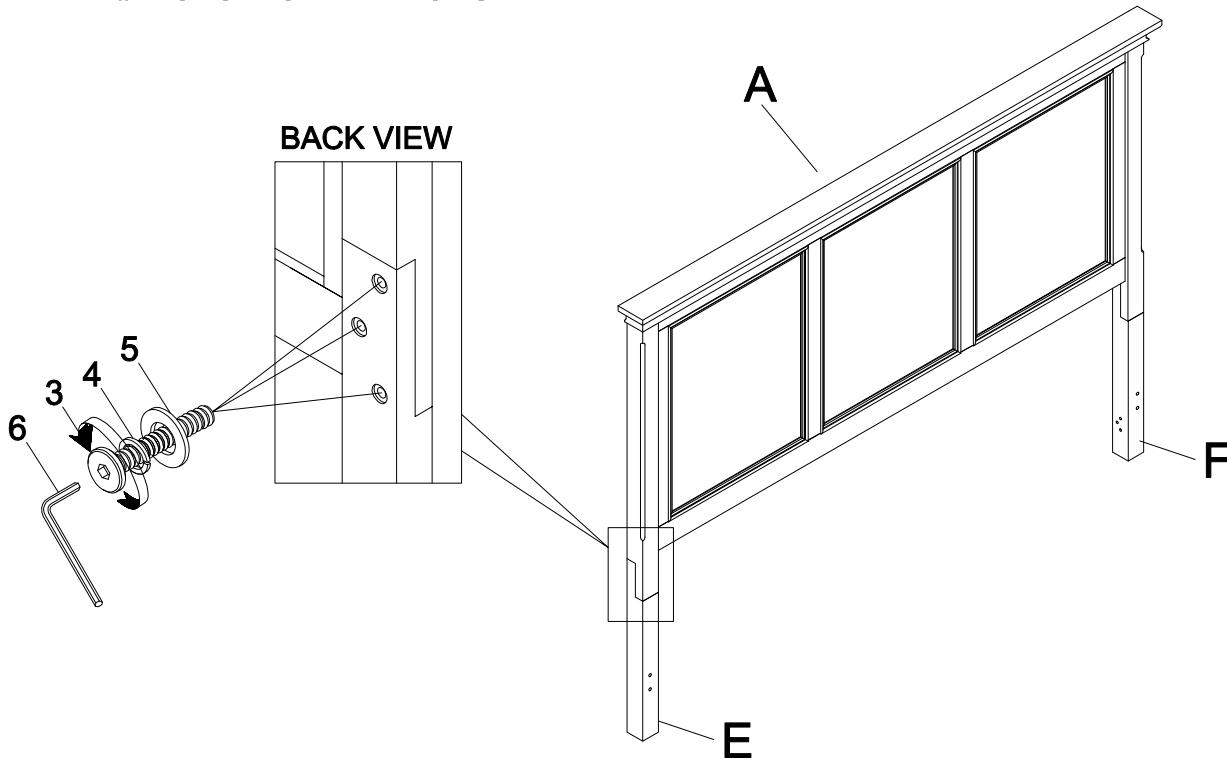
B3907-110 SUNSTONE 6/6-6/0 EK/WK PANEL HEADBOARD

B3907-120 SUNSTONE 6/6-6/0 EK/WK PANEL FOOTBOARD & SLATS

B3907-230 SUNSTONE 6/0 WK PANEL SIDE RAILS

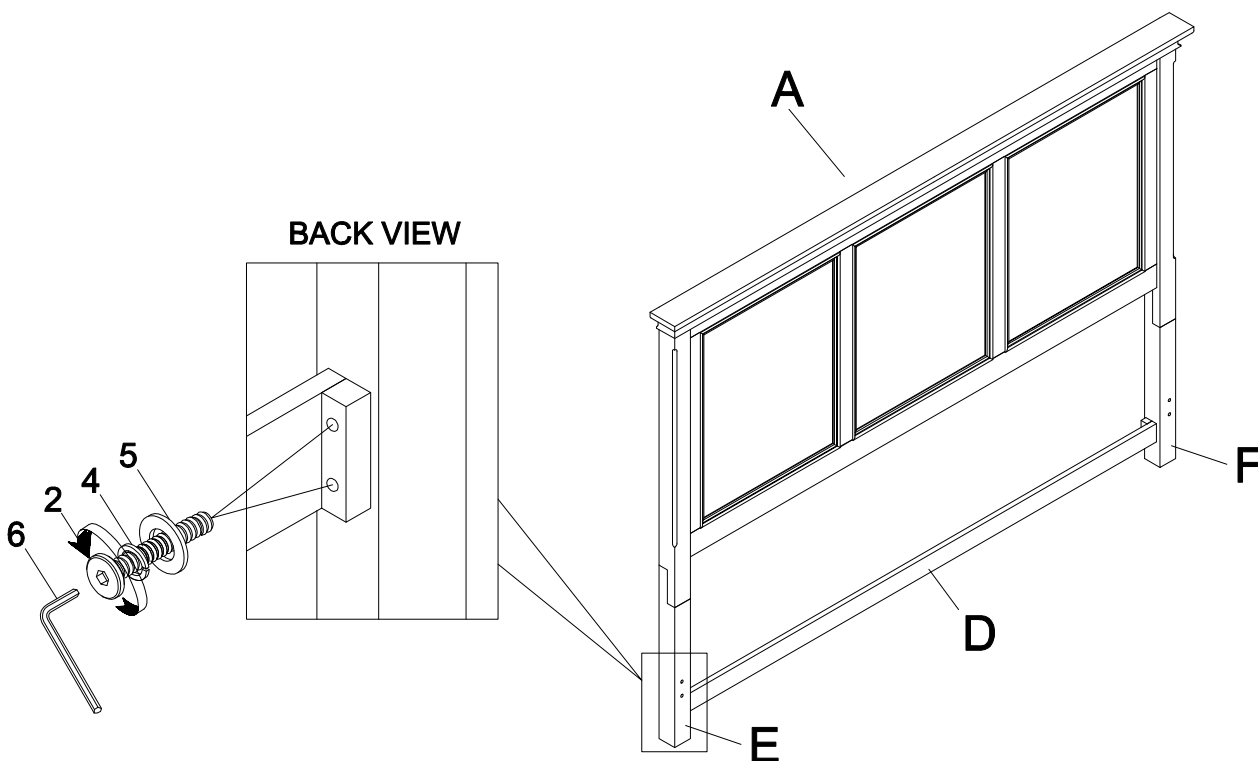
## STEP 1

Assemble LSF HB Leg (E) and RSF HB Leg (F) to Headboard (A) by using Allen Key (6) with hardware 3,4, and 5.  
Attn: DO NOT TIGHEN THE BOLTS



## STEP 2

Assemble Headboard Crossbar (D) to HB legs (E) and (F) by using Allen Key (4) with hardware 2, 4, and 5.



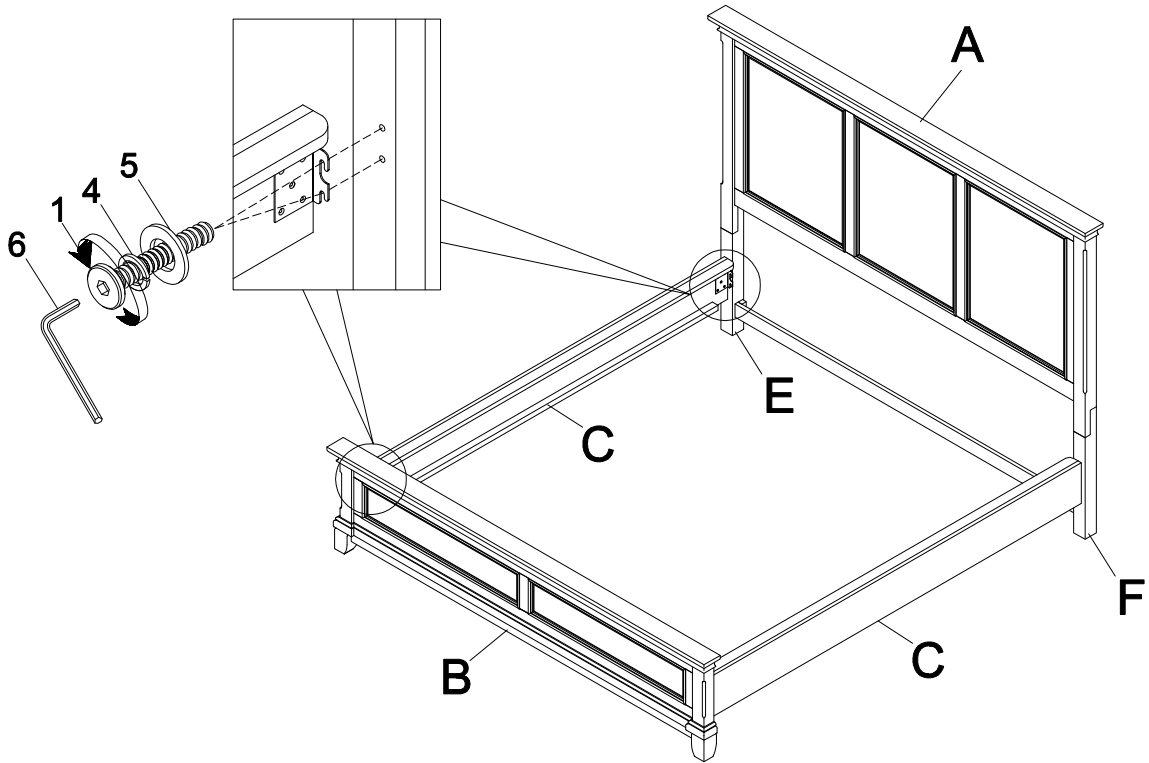


New  
Classic®  
FURNITURE

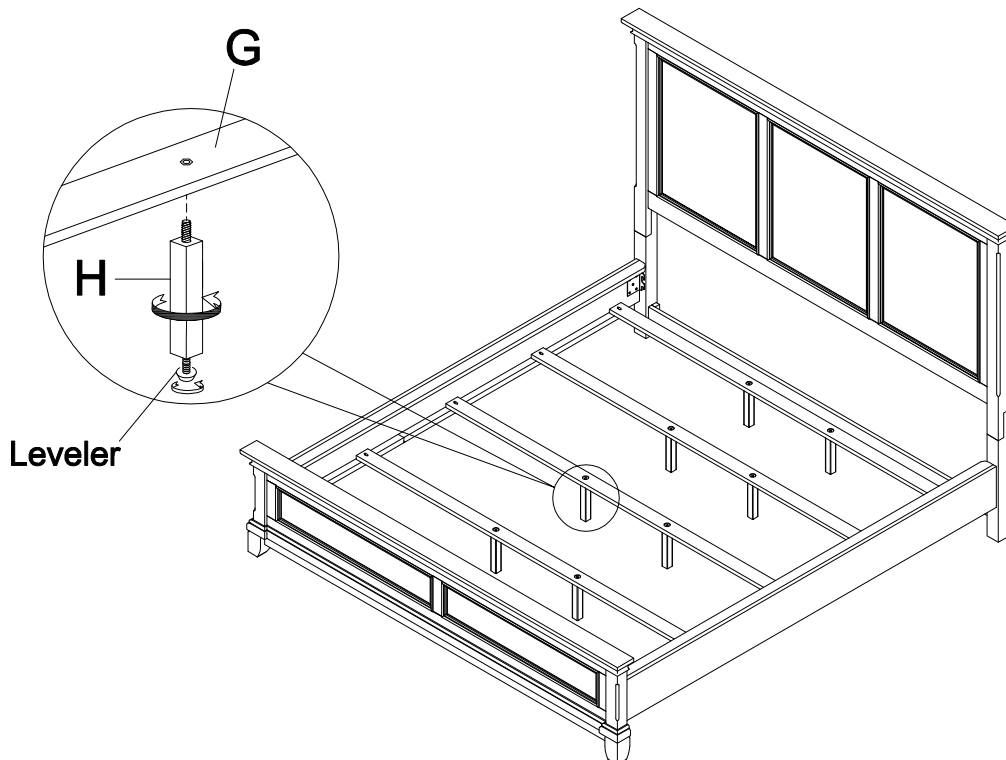
# Assembly Instructions

B3907-110 SUNSTONE 6/6-6/0 EK/WK PANEL HEADBOARD  
B3907-120 SUNSTONE 6/6-6/0 EK/WK PANEL FOOTBOARD & SLATS  
B3907-230 SUNSTONE 6/0 WK PANEL SIDE RAILS

**STEP 3** Assemble Side rails (C) to HB legs (E & F) and Footboard (B) by using Allen Key (6) with hardware 1, 4, and 5.



**STEP 4** Assemble the Support legs (H) by twisting them on the Slat (G). Then adjust the leveler on the support legs (H) to level with the floor.



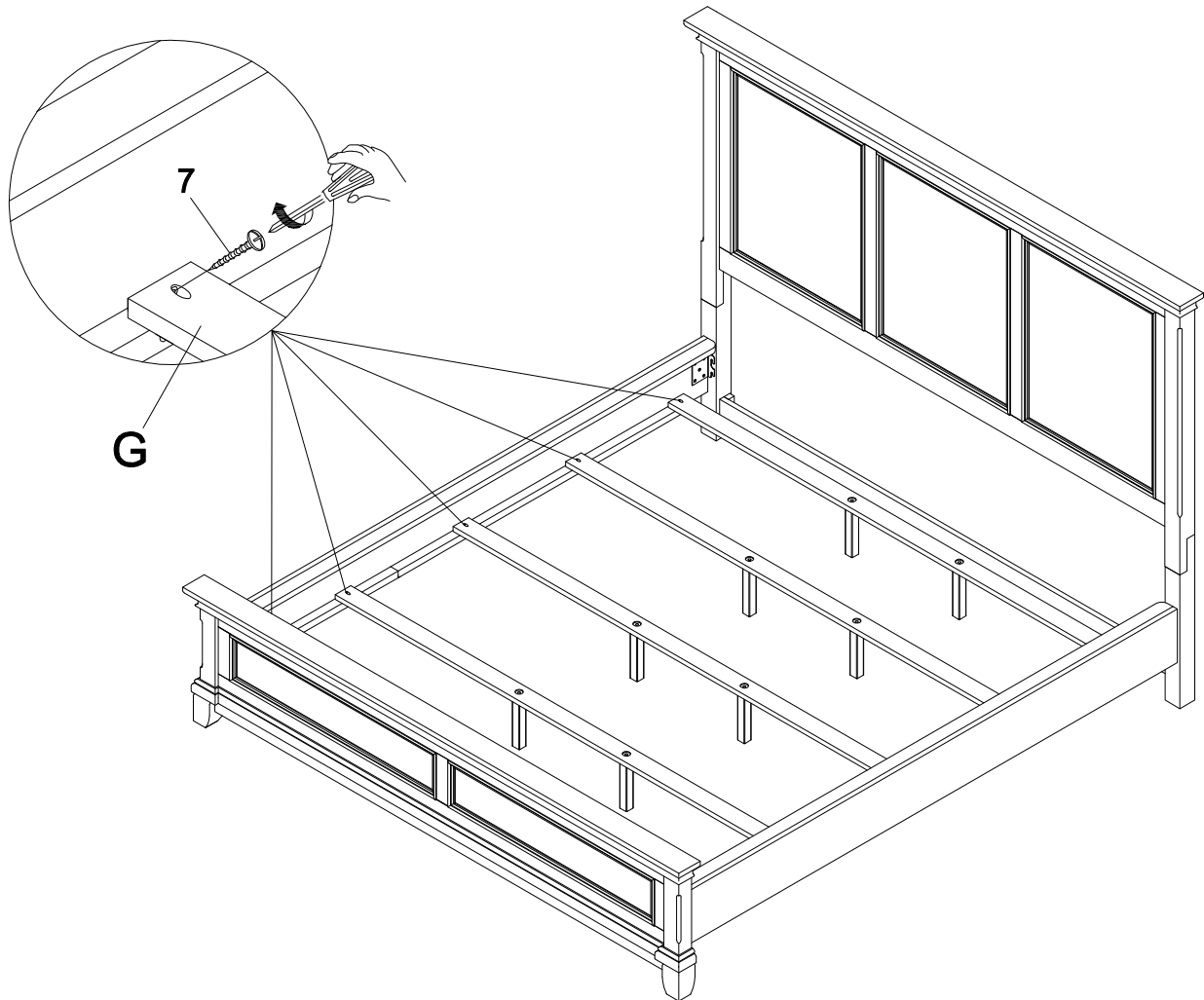


New  
Classic<sup>®</sup>  
FURNITURE

## Assembly Instructions

B3907-110 SUNSTONE 6/6-6/0 EK/WK PANEL HEADBOARD  
B3907-120 SUNSTONE 6/6-6/0 EK/WK PANEL FOOTBOARD & SLATS  
B3907-230 SUNSTONE 6/0 WK PANEL SIDE RAILS

**STEP 5** Assemble the slat (G) to the side rails (C) by using a screwdriver with hardware 7.



# Assembly Instructions

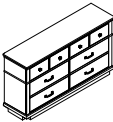
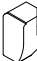

## B3907-050 SUNSTONE DRESSER

Thank you for purchasing this quality product. Be sure to check all packing materials carefully for small parts, which may have come loose inside the carton during shipment. Identify and count all items and compare with the PARTS LIST and/or HARDWARE LIST shown below.






**Caution:** Please read the instructions thoroughly before assembly.

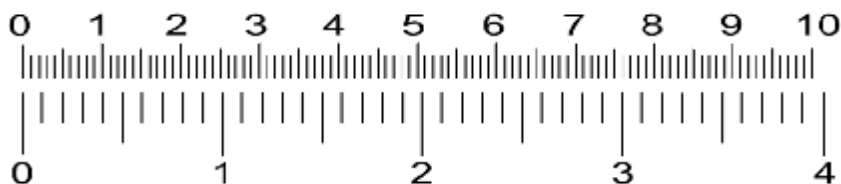
1. We recommend that you assemble this product with the assistance of another person: this will make the assembly easier, and will help eliminate damage to the product or injury to person during assembly.
2. Please do not over tighten screws or bolts until the assembly is completed.
3. Please put all parts on a non-abrasive floor before assembly, and follow the assembly steps to assemble your newly purchased product correctly and efficiently.

### PARTS LIST

| NO: | COMPONENT   | ADRAWING   | Q'TY  |
|-----|-------------|--|-------|
| A   | DRESSER     |   | 1 PC  |
| B   | FOOT        |   | 4 PCS |
| C   | SUPPORT LEG |  | 1 PC  |

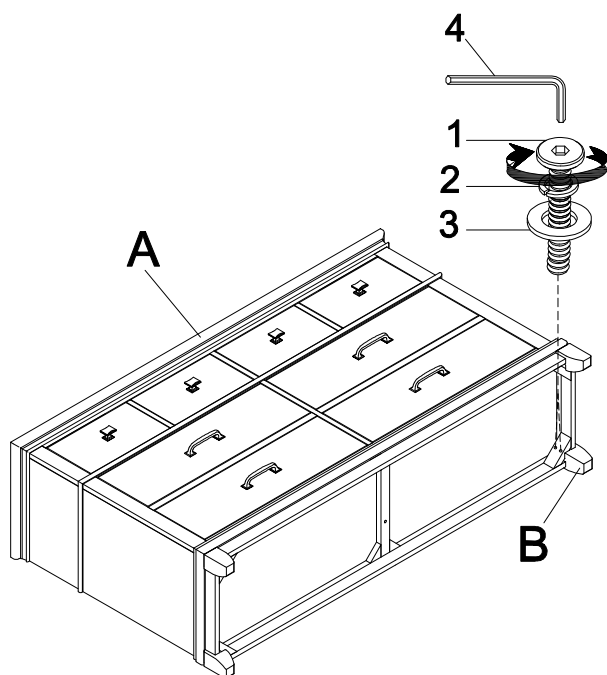
### HARDWARE LIST

| NO: | COMPONENT               | ADRAWING   | Q'TY  |
|-----|-------------------------|--|-------|
| 1   | Bolt Ø5/16"x2-1/4"      |   | 8 PCS |
| 2   | Lock Washer Ø5/16"      |   | 8 PCS |
| 3   | Flat Washer Ø5/16"x3/4" |   | 8 PCS |
| 4   | Allen Key               |   | 1 PC  |
| 5   | Anti-Tipping Kit        |  | 1 SET |



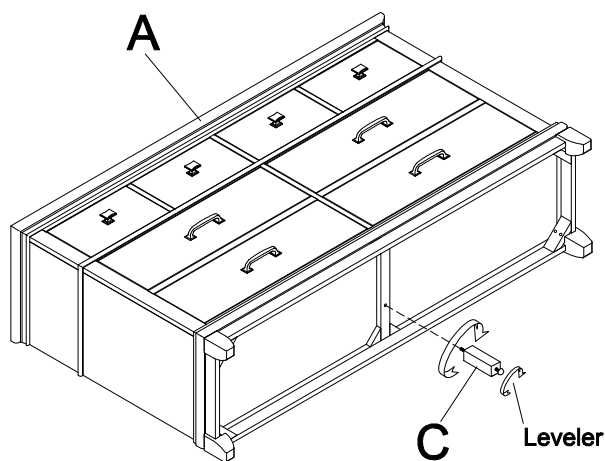
### STEP 1

Assemble Foot (B) to Dresser (A) by using Allen Key (4) with hardware 1, 2, and 3.



### STEP 2

Assemble the Support Leg (C) by twisting the leg into the center hole on the base of dresser (A).



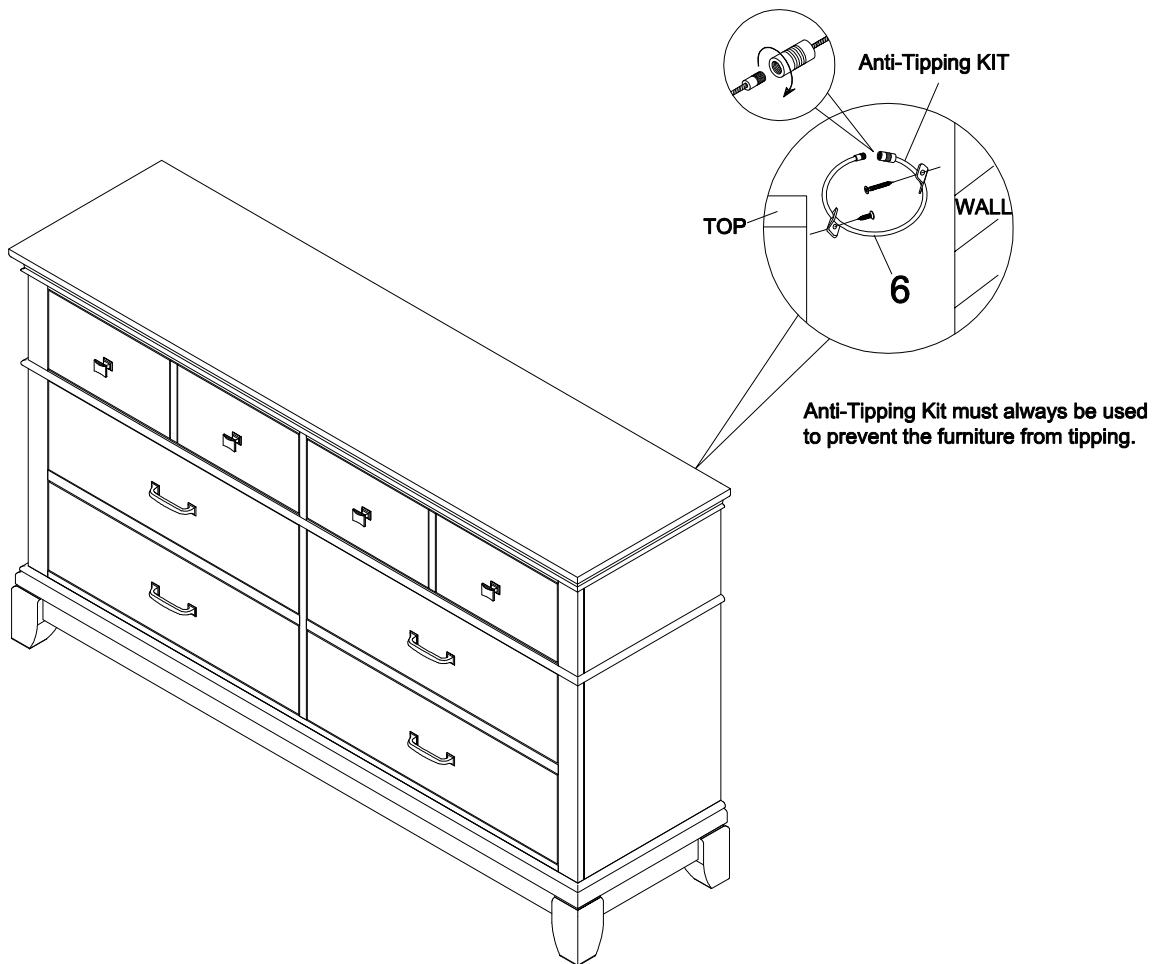


New  
Classic®  
FURNITURE

# Assembly Instructions

B3907-050 SUNSTONE DRESSER

## STEP 3



# Assembly Instructions

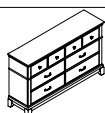


## B3907-060 SUNSTONE MIRROR

Thank you for purchasing this quality product. Be sure to check all packing materials carefully for small parts, which may have come loose inside the carton during shipment. Identify and count all items and compare with the PARTS LIST and/or HARDWARE LIST shown below.





**Caution:** Please read the instructions thoroughly before assembly.

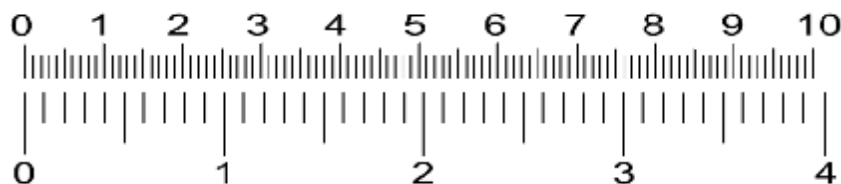
1. We recommend that you assemble this product with the assistance of another person: this will make the assembly easier, and will help eliminate damage to the product or injury to person during assembly.
2. Please do not over tighten screws or bolts until the assembly is completed.
3. Please put all parts on a non-abrasive floor before assembly, and follow the assembly steps to assemble your newly purchased product correctly and efficiently.

### PARTS LIST

| NO: | COMPONENT | ADRAWING   | Q'TY  |
|-----|-----------|--|-------|
| A   | DRESSER   |   | 1 PC  |
| B   | MIRROR    |   | 1 PC  |
| C   | SUPPORT   |  | 2 PCS |

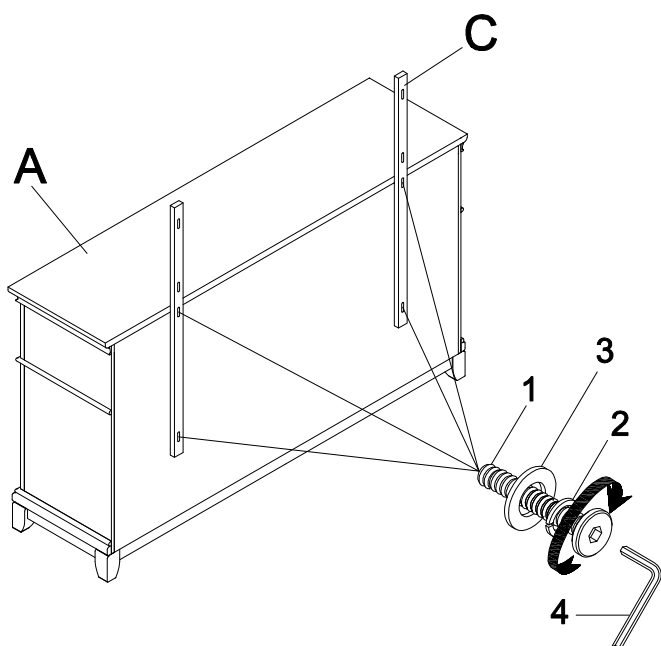
### HARDWARE LIST

| NO: | COMPONENT              | ADRAWING  | Q'TY  |
|-----|------------------------|---|-------|
| 1   | Bolt Ø1/4"x1-1/2"      |  | 8 PCS |
| 2   | Lock Washer Ø1/4"      |  | 8 PCS |
| 3   | Flat Washer Ø1/4"x3/4" |  | 8 PCS |
| 4   | Allen Key              |  | 1 PC  |



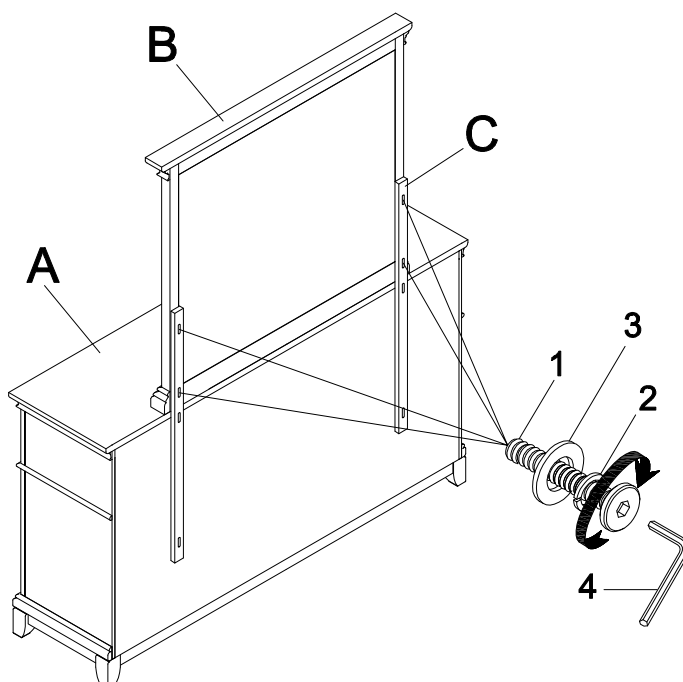
### STEP 1

Assemble support (C) onto dresser (A) by using Allen Key (4) with hardware 1, 2, and 3.



### STEP 2

Assemble support (C) with mirror (B) by using Allen Key (4) with hardware 1, 2, and 3.



# Assembly Instructions



**B3907-040 SUNSTONE NIGHTSTAND**

Thank you for purchasing this quality product. Be sure to check all packing materials carefully for small parts, which may have come loose inside the carton during shipment. Identify and count all items and compare with the PARTS LIST and/or HARDWARE LIST shown below.






**Caution:** Please read the instructions thoroughly before assembly.

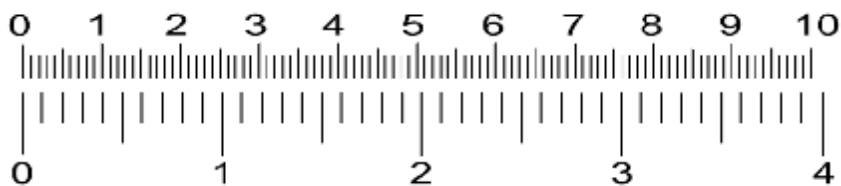
1. We recommend that you assemble this product with the assistance of another person: this will make the assembly easier, and will help eliminate damage to the product or injury to person during assembly.
2. Please do not over tighten screws or bolts until the assembly is completed.
3. Please put all parts on a non-abrasive floor before assembly, and follow the assembly steps to assemble your newly purchased product correctly and efficiently.

## PARTS LIST

| NO: | COMPONENT  | ADRAWING  | Q'TY  |
|-----|------------|---|-------|
| A   | NIGHTSTAND |  | 1 PC  |
| B   | FOOT       |  | 4 PCS |

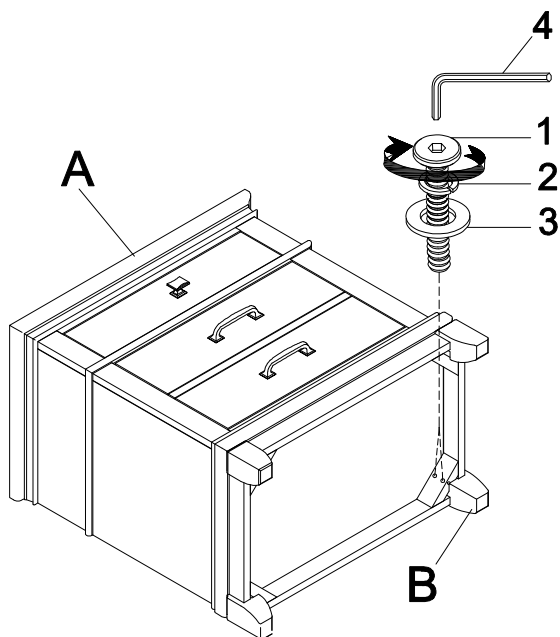
## HARDWARE LIST

| NO: | COMPONENT               | ADRAWING   | Q'TY  |
|-----|-------------------------|--|-------|
| 1   | Bolt Ø5/16"x2-1/4"      |   | 8 PCS |
| 2   | Lock Washer Ø5/16"      |   | 8 PCS |
| 3   | Flat Washer Ø5/16"x3/4" |   | 8 PCS |
| 4   | Allen Key               |   | 1 PC  |
| 5   | Anti-Tipping Kit        |  | 1 SET |



### STEP 1

Assemble Foot (B) to Nightstand (A) by using Allen Key (4) with hardware 1, 2, and 3.



### STEP 2

