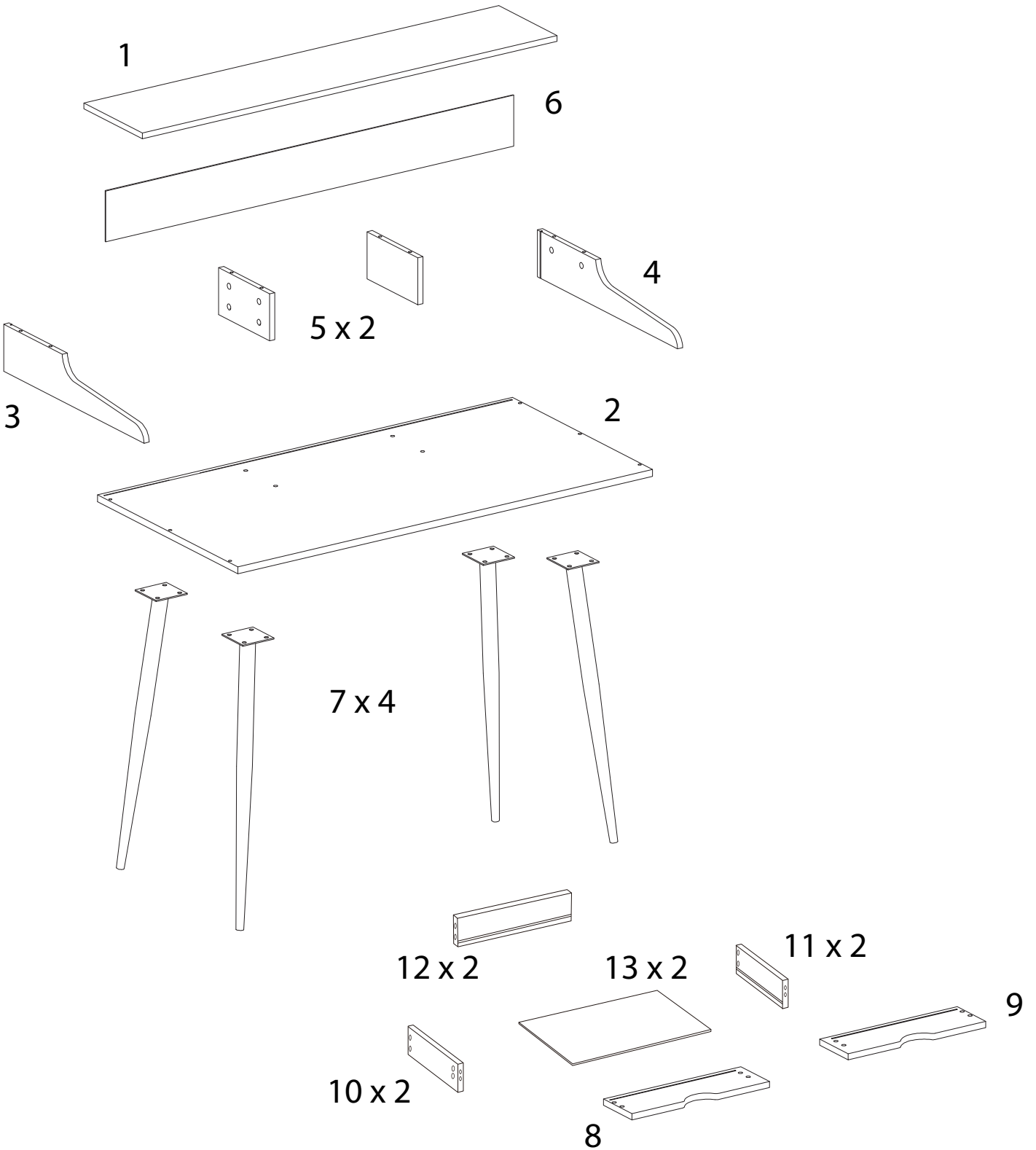
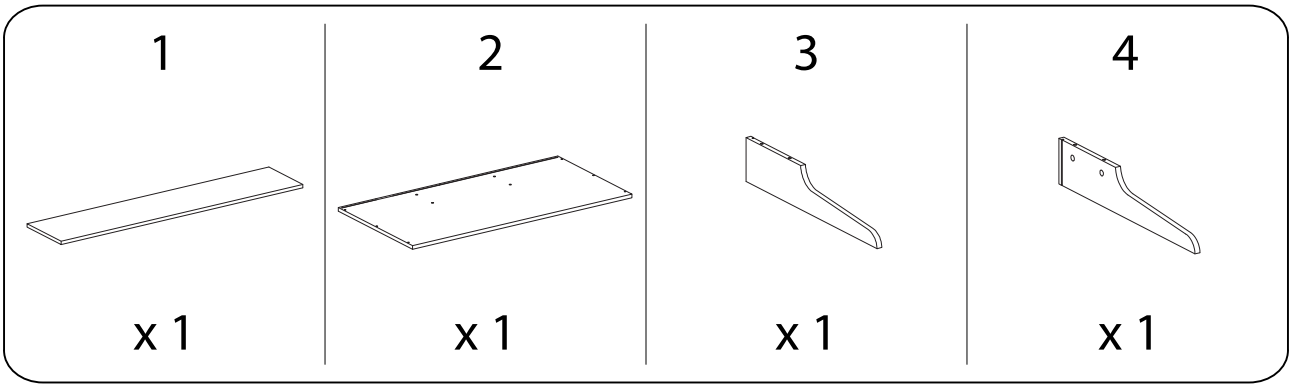
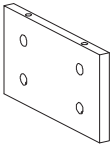
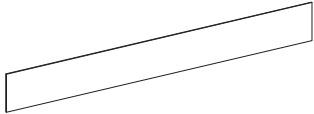



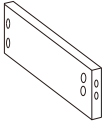
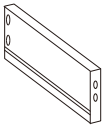
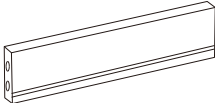
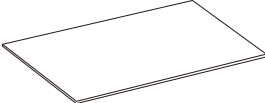



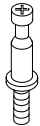


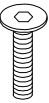
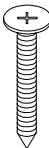

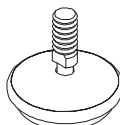


Assembly instructions for step 1/11:

- Tools:** A circle containing a screwdriver and an Allen key. A power drill is shown with a diagonal line through it, indicating it should not be used.
- Warning:** A triangle with an exclamation mark.
- Time:** A clock icon with the text "45'" below it.
- Personnel:** A stick figure icon with the number "1" below it.
- Diagram:** A circle showing a rectangular block being placed on a textured surface. A second diagram shows the block being secured with a screw from underneath, with a diagonal line through it.



<p>5</p>  <p>x 2</p>	<p>6</p>  <p>x 1</p>	<p>7</p>  <p>x 4</p>	
<p>8</p>  <p>x 1</p>	<p>9</p>  <p>x 1</p>	<p>10</p>  <p>x 2</p>	<p>11</p>  <p>x 2</p>
<p>12</p>  <p>x 2</p>	<p>13</p>  <p>x 2</p>	<p>A</p>  <p>x 12</p>	<p>B</p>  <p>x 12</p>
<p>C</p>  <p>x 8</p>	<p>D</p>  <p>x 8</p>	<p>E</p>  <p>M6 x 16</p> <p>x 16</p>	<p>F</p>  <p>Ø6</p> <p>x 16</p>
<p>G</p>  <p>M6 x 30</p> <p>x 6</p>	<p>H</p>  <p>M3.5 x 30</p> <p>x 8</p>	<p>I</p>  <p>x 1</p>	<p>J</p>  <p>x 4</p>

1

1

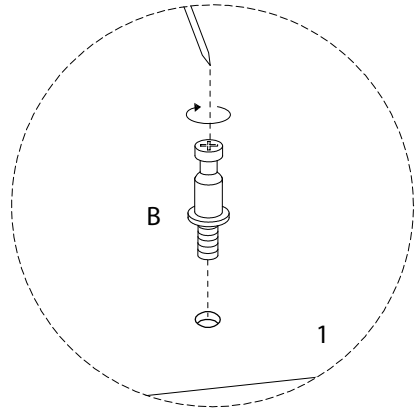
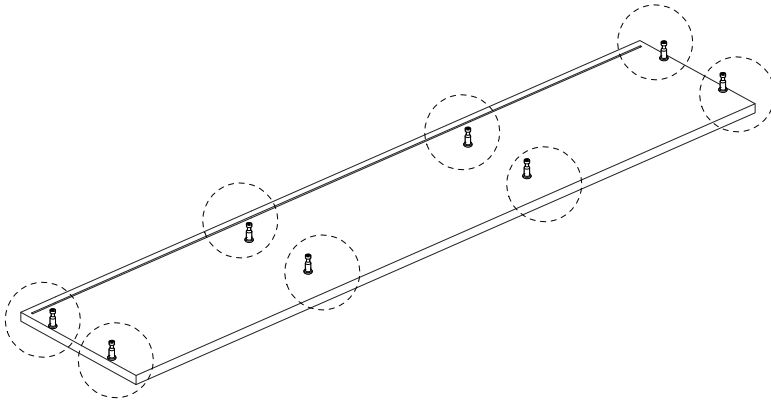


x 1

B



x 8



2

8



x 1

9

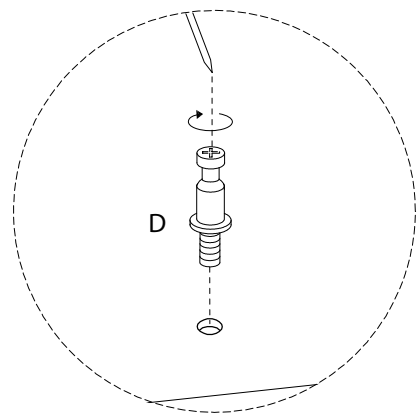
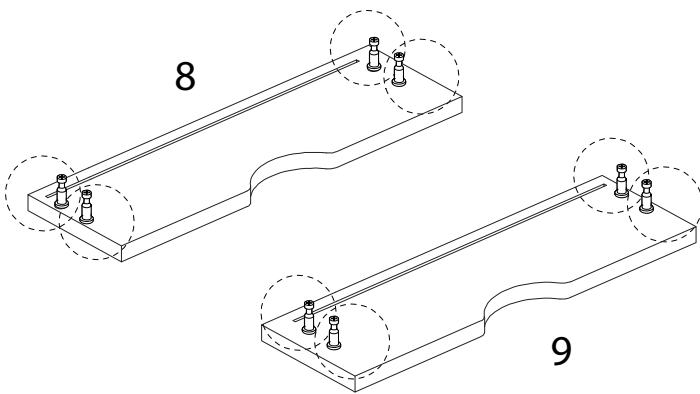


x 1

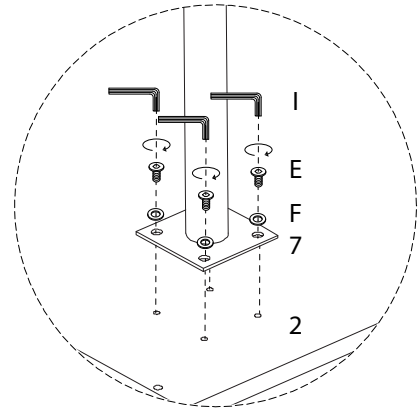
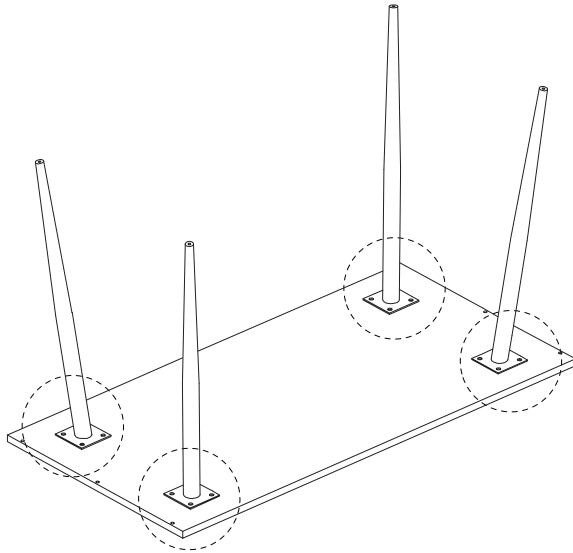
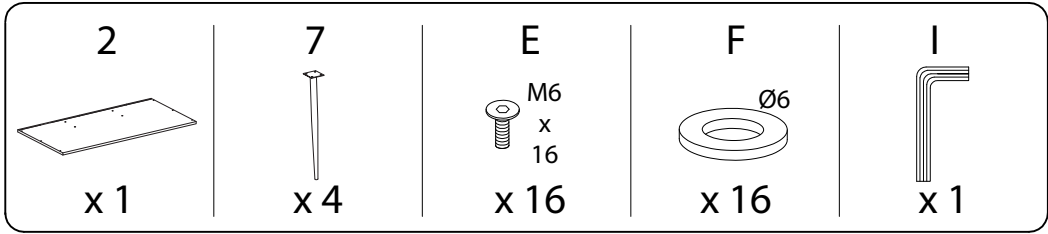
D



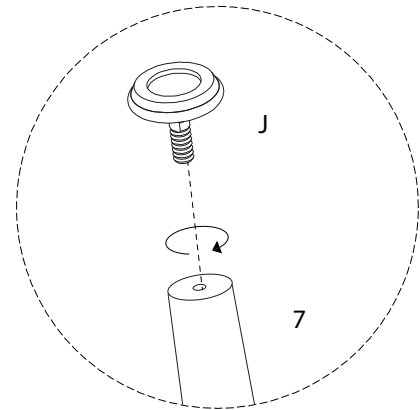
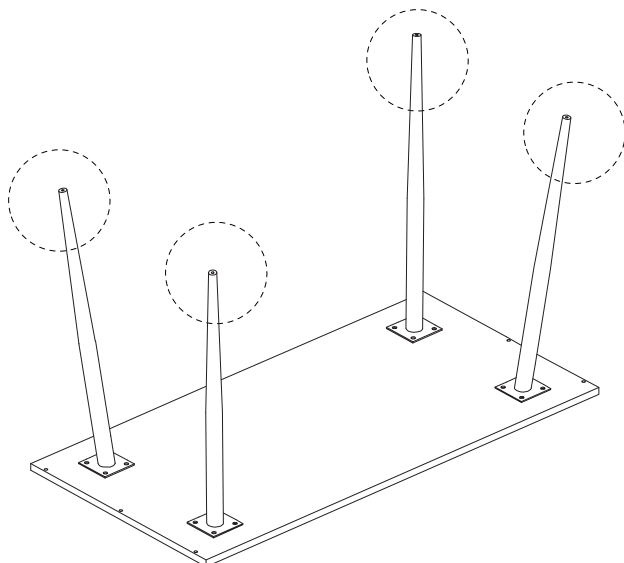
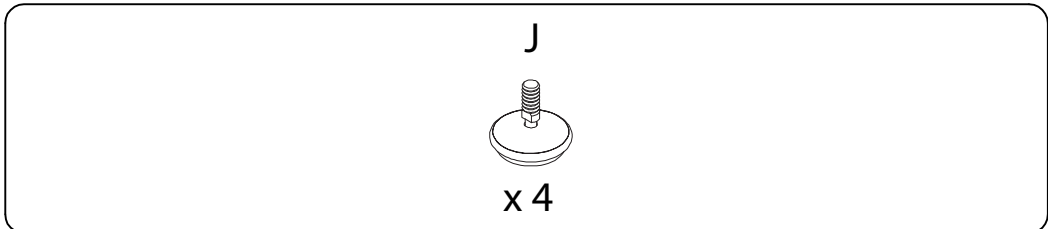
x 8



3



4

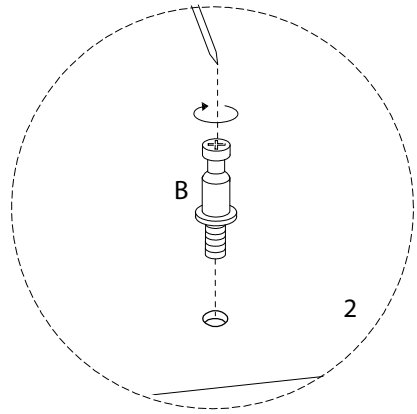
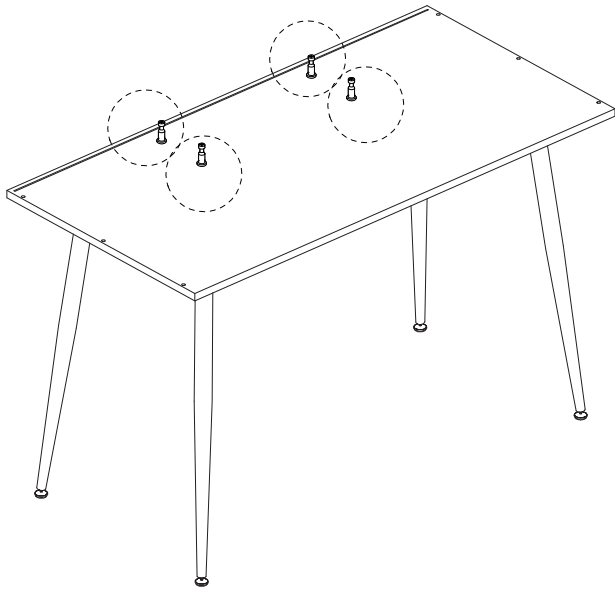


5

B

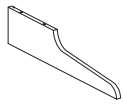


x 4



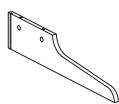
6

3



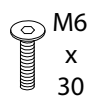
x 1

4



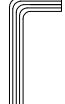
x 1

G

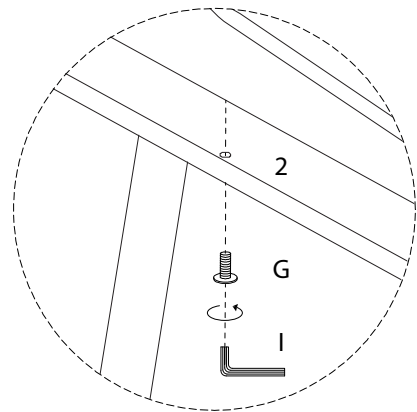
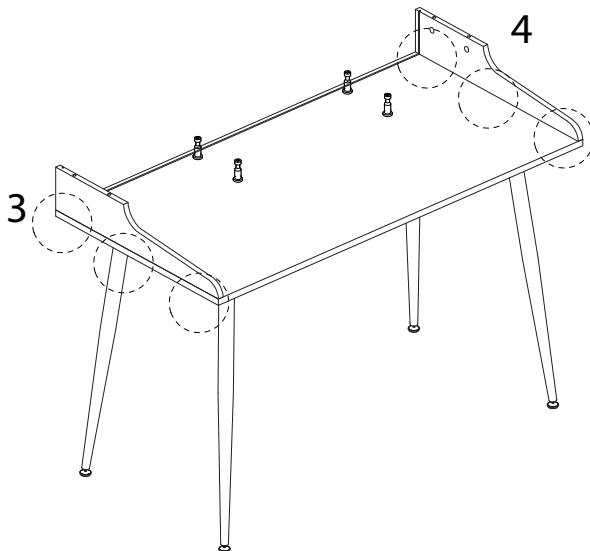


M6
x
30
x 6

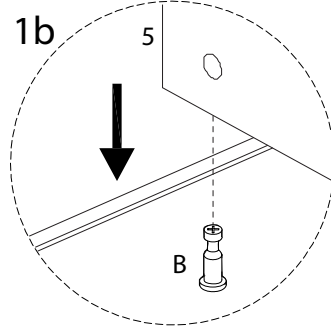
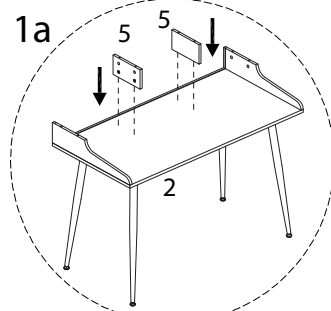
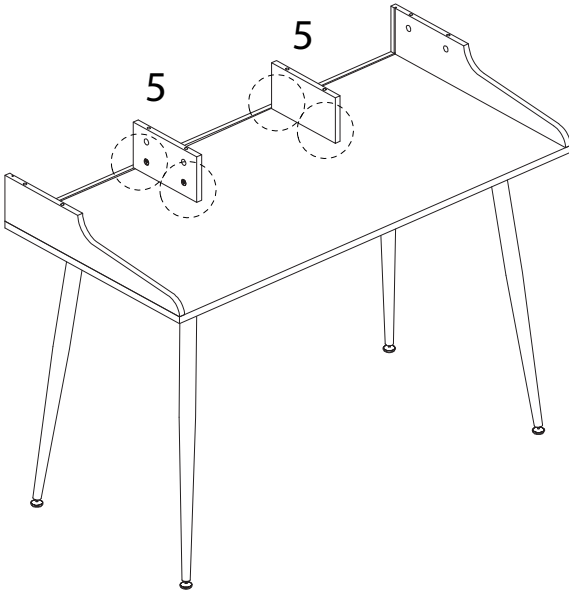
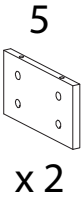
I



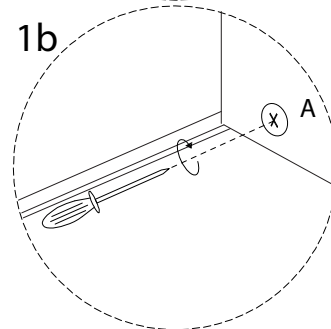
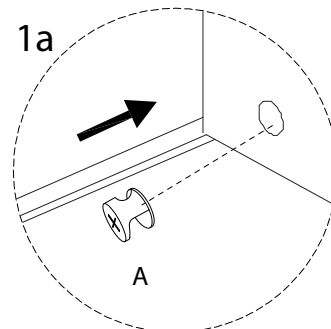
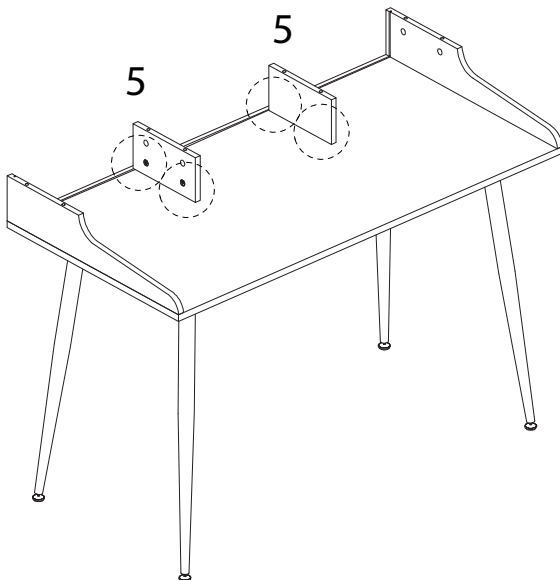
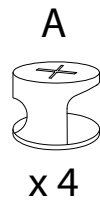
x 1



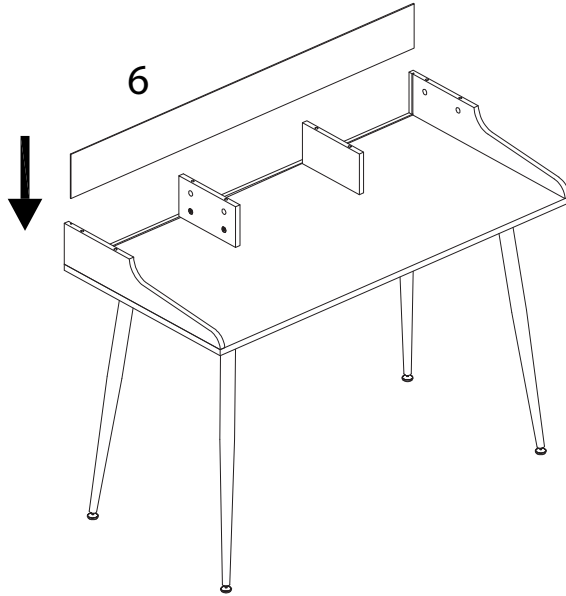
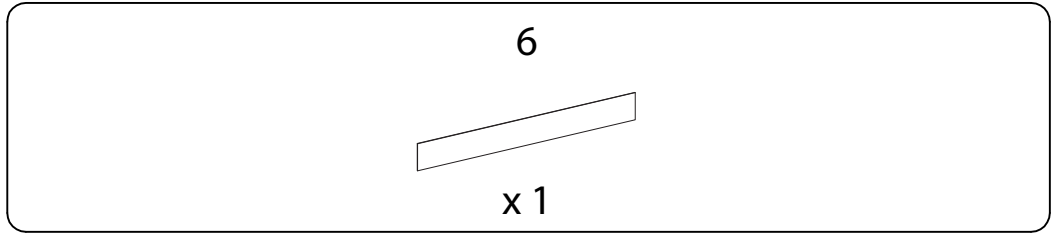
7



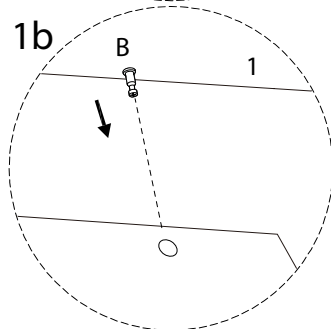
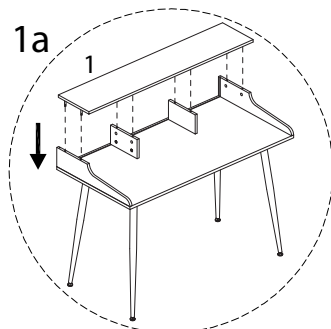
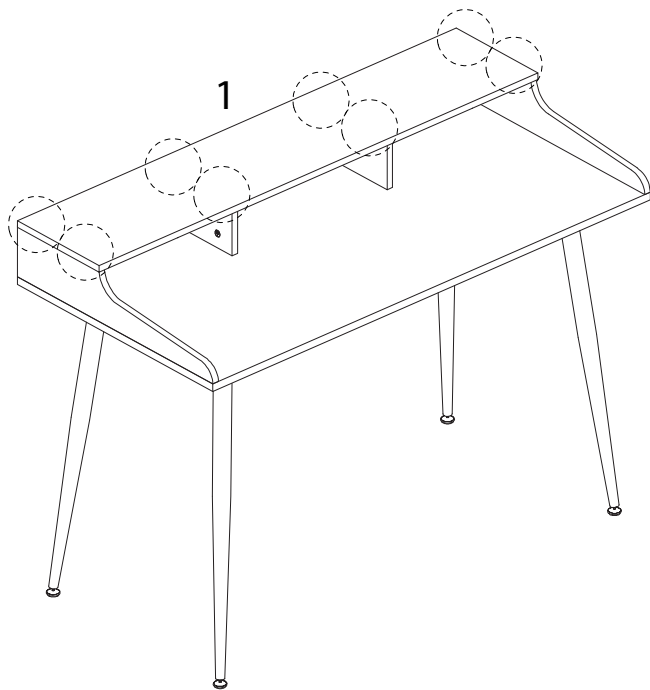
8



9



10

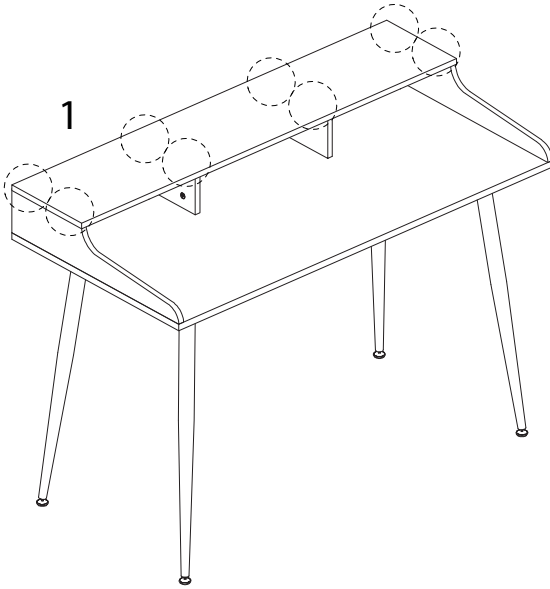


11

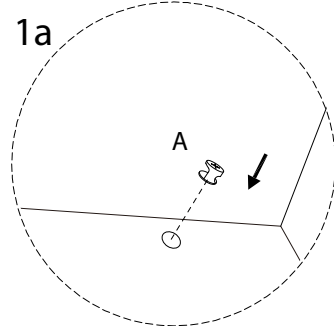
A



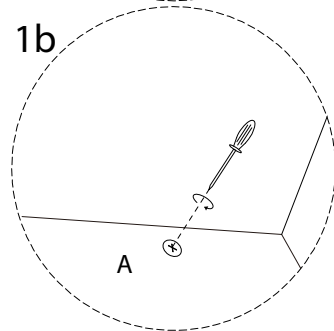
x 8



1a



1b



12 x 2

10



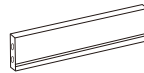
x 1

11



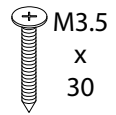
x 1

12

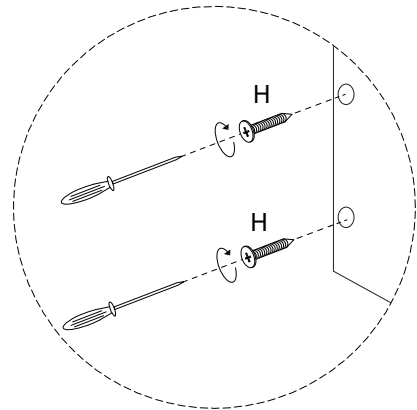
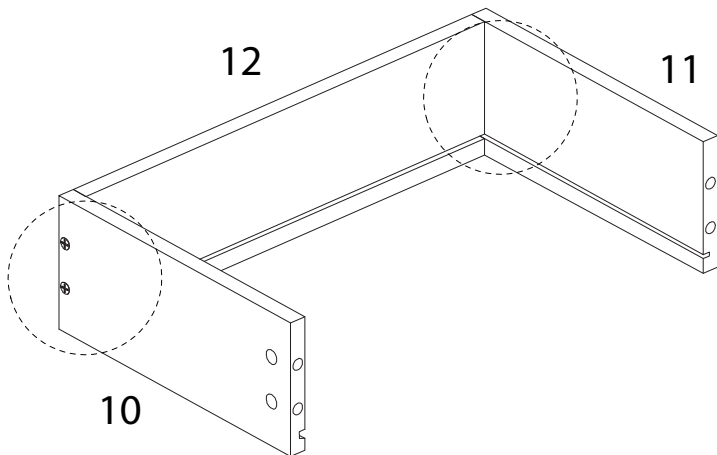


x 1

H

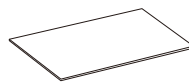


x 4

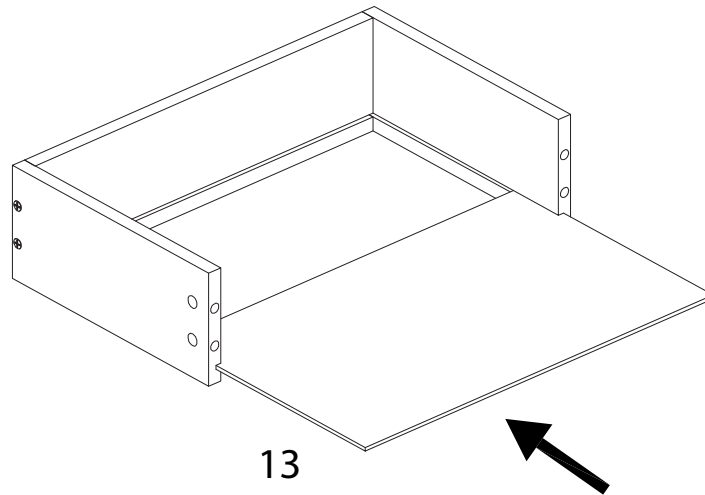


13 x 2

13



x 1

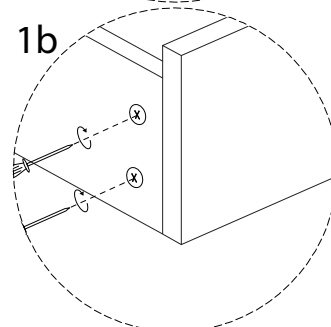
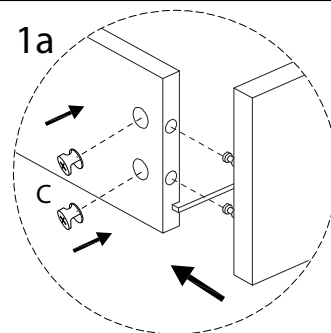
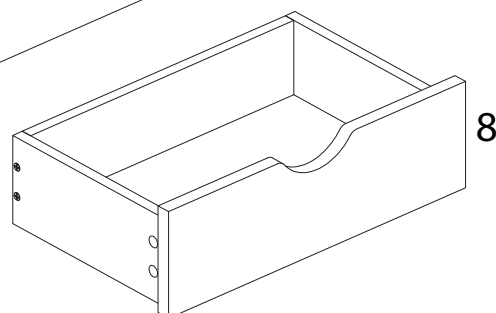
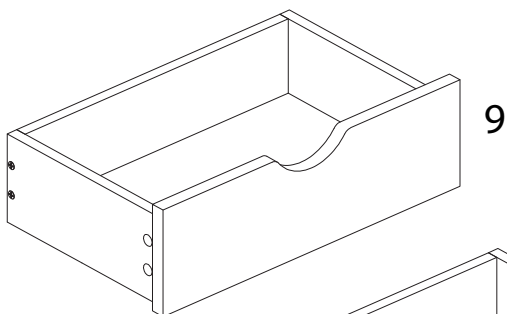


14

C



x 8



15

