



Scan the QR code to watch the installation video.

Model: MY-2133, WY-MY21332024-STM, WM-MY21330918-STM, MY-2133-10R, WY-MY2133-10R2024-STM, WM-MY2133-10R0918-STM, MY-2133-12Black, WY-MY2133-12Black0012024-STM, WM-MY2133-12Black0020918-STM, MY-2117-12R-White, MY-2117, WY-MY-2117-12R-W0012024-STM, WM-MY-2117-12R-W0020918-STM, TM-MY-2117-12R-W0042025-STM, MY-2117-12R-White, MY-2117, WY-MY-2117-12R-W0012024-STM, WM-MY-2117-12R-W0020918-STM, TM-MY-2117-12R-W0042025-STM

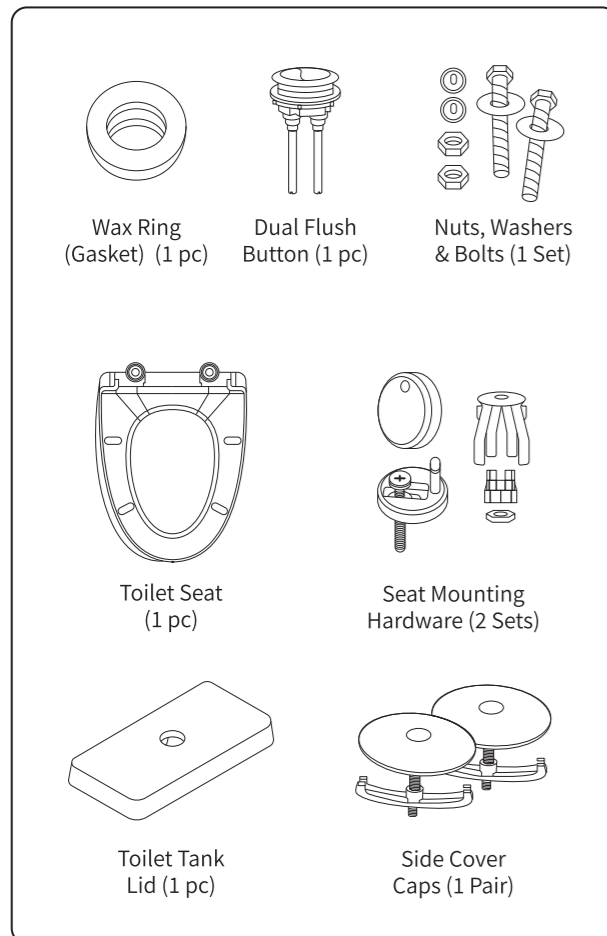
These models share the same installation instructions. Appearance or configurations may vary slightly.

One-Piece Toilet Installation Guide

Prior to Installation

Carefully remove the toilet from the packaging and check that all parts are undamaged. If you encounter any issues, please contact our customer support at support@sotomo.us. Measure all dimensions according to the provided instructions and ensure compliance with local plumbing and building codes. Check that the floor and flange are level and not damaged before installation. For your safety, use appropriate tools and wear protective equipment. Due to the weight and size of the product, at least two people are required for installation. SOTOMO recommends professional installation by a licensed plumber. Improper installation may result in product damage, property damage, or personal injury.

Included Accessories



Suggested Tools & Materials



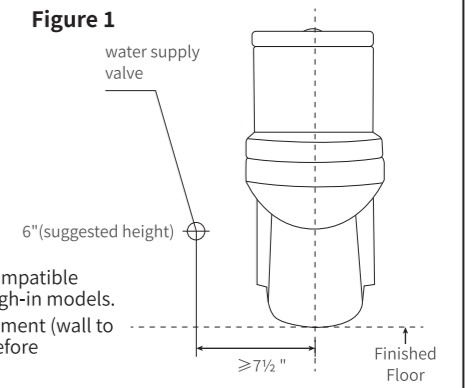
Toilet Installation Instructions

Step 1: Remove the Existing Toilet (If Applicable)

- 1 Turn off the water supply. Make sure the water supply valve is fully shut off before proceeding.
- 2 Flush the toilet to empty the tank. Remove any remaining water from the tank or bowl.
- 3 Disconnect the water supply line from the tank.
- 4 Remove the decorative bolt caps. Unscrew the nuts securing the toilet to the floor.
- 5 Carefully remove the old toilet. CAUTION: The toilet is heavy. Residual water may remain inside.
- 6 If you are replacing the water supply valve, shut off the main water supply to the house first.
- 7 Remove the old closet bolts from the closet flange. Clean old wax, putty, and debris from the base area.

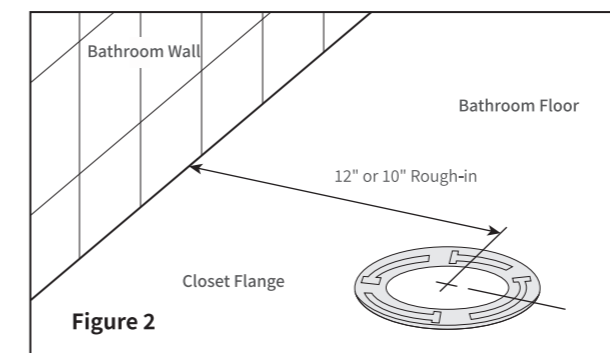
IMPORTANT NOTE REGARDING WATER SUPPLY: Before installation ensure that the water supply valve is located more than 7½" from the center of the drain to the center of the water supply valve on either side (see Figure 1).

NOTE: This installation guide is compatible with both 10-inch and 12-inch rough-in models. Check that your rough-in measurement (wall to center of the drain) is 10" or 12" before installation.



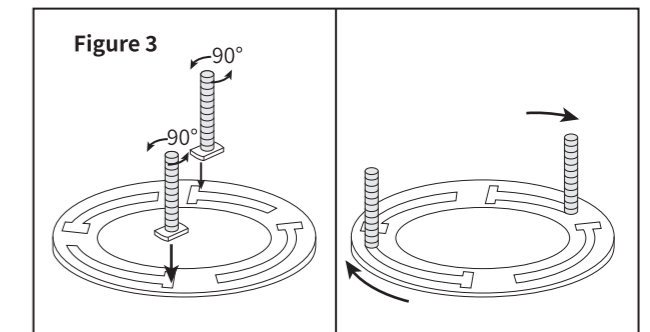
Step 2: Measure the Rough-In Distance

Measure from the finished wall to the center of the closet flange. (see Figure 2) This toilet series is available in both 10-inch and 12-inch rough-in configurations. Please verify your bathroom rough-in distance and ensure you have purchased the correct model before installation.



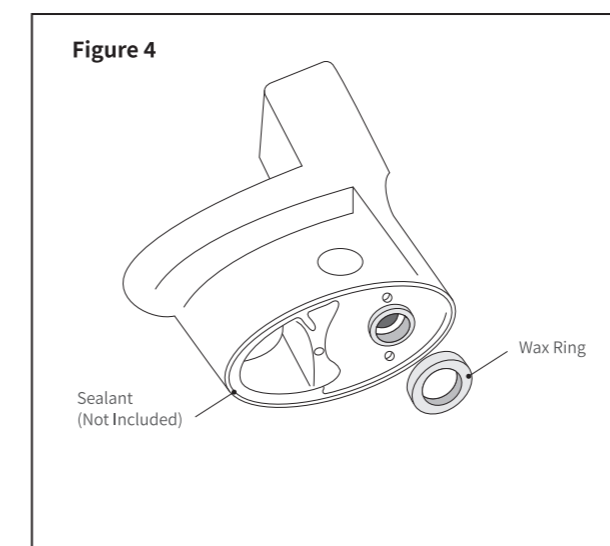
Step 3: Install Closet Bolts

Insert two bolts into the closet flange slots and slide them into position (See Figure 3).



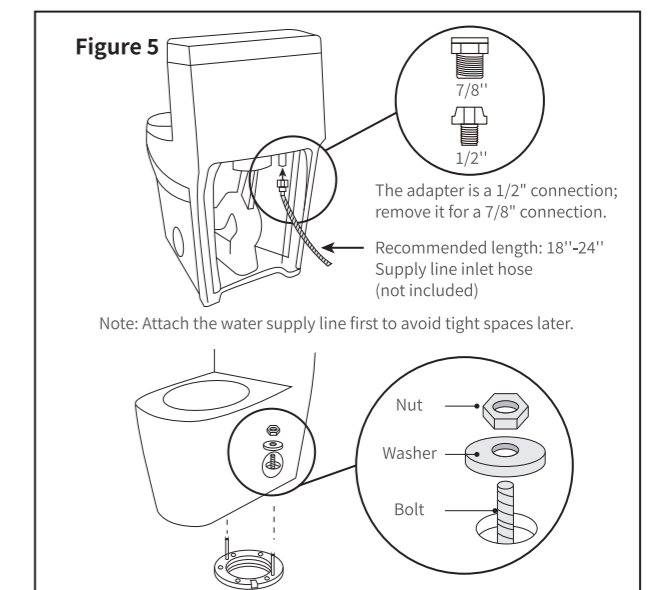
Step 4: Install Wax Ring

Invert the toilet on a protected surface to prevent damage. Evenly install the wax ring around the closet flange, with the tapered end of the ring facing the floor. Carefully align the toilet with the waste opening and lower it onto the flange. Gently rock the bowl to compress the wax ring, then press down firmly until the bowl is fully seated. Apply a thin bead of sealant around the base of the toilet (See Figure 4).



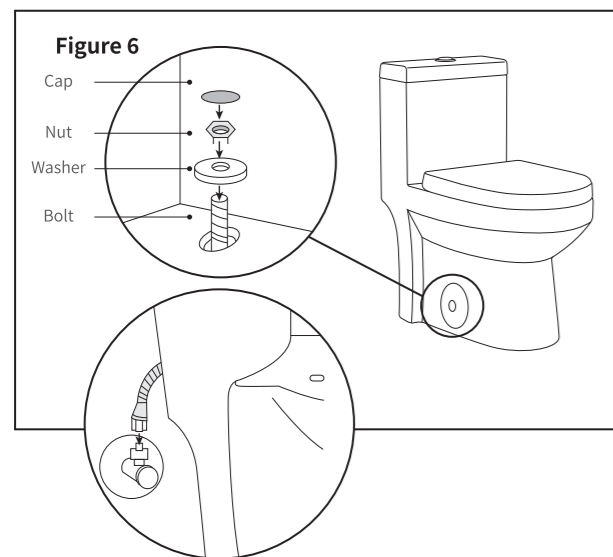
Step 5: Place the Toilet onto the Flange

IMPORTANT – CONNECT WATER SUPPLY HOSE FIRST: Before placing the toilet onto the flange, connect the flexible water supply hose (not included) to the tank inlet valve and hand-tighten only. Do not connect the hose to the water shut-off valve at this time. Carefully lower the toilet onto the flange, aligning the bolt holes with the closet bolts. If present, remove the temporary plug from the floor waste opening. Install the washers and nuts onto the bolts and hand-tighten to secure the toilet in place (See Figure 5). Note: Choose the appropriate 1/2" or 7/8" supply line inlet hose (adapter provided) based on the size of your supply line.



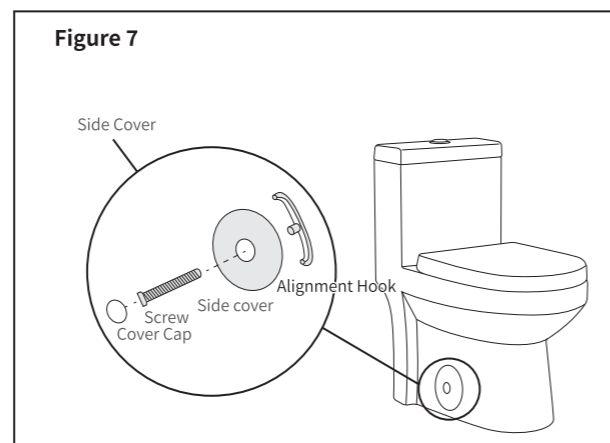
Step 6: Install Toilet

Alternately tighten the nuts until the toilet is firmly secured to the floor. Do not over-tighten, as this may crack the ceramic. Clean off any excess sealant around the base, then install the cover caps to hide the installation holes. Connect the water supply and test for proper operation and leaks (See Figure 6).



Step 7: Install and Secure the Side Covers

Place the side cover onto the mounting hole on the toilet base, ensuring the hook is properly aligned. Insert the screw through the side cover and tighten it securely using a screwdriver. Do not overtighten. Once the screw is tightened, press the cap into place to cover the screw.

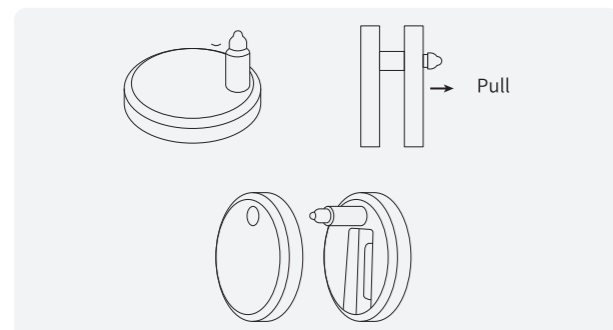


Toilet Seat Installation Instructions

(We have pre-installed the first three steps at the factory.)

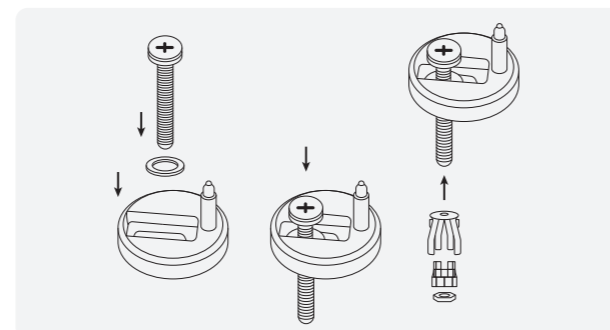
Step 1: Separate the Cover Cap and Hinge

Pull to separate the cover cap from the hinge, as shown.



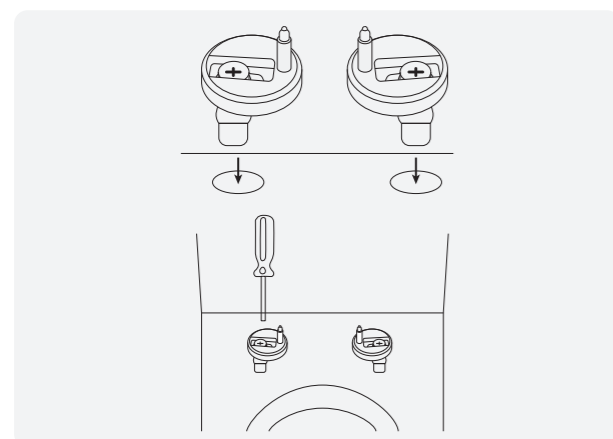
Step 2: Assemble the Hinges

Insert the screw through the hinge hole. Attach the expansion nut to the bottom of the screw, as illustrated.



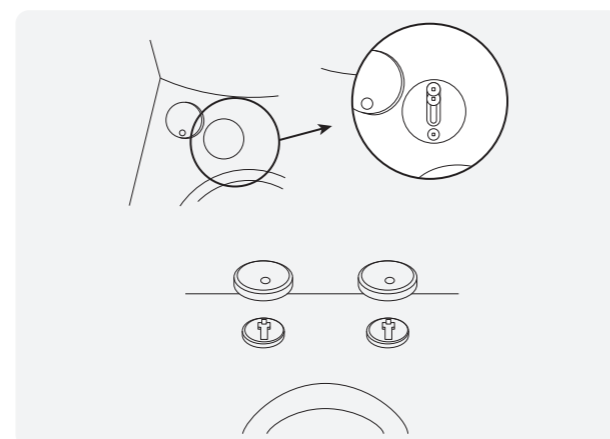
Step 3: Attach the Hinges to the Toilet Bowl

Insert the hinges with the attached expansion nuts into the corresponding mounting holes on the toilet bowl. Lightly tighten the screws using a screwdriver, leaving room for adjustment.



Step 4: Adjust and Secure the Hinges

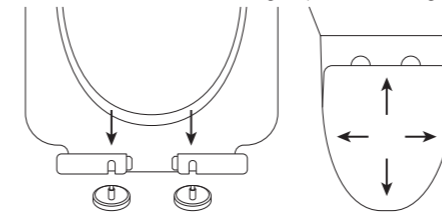
Place the toilet seat onto the hinges and adjust the position for proper alignment. Once aligned, fully tighten the screws to secure the hinges. Press the cover caps onto the hinges to finish.



Step 5: Attach and Adjust the Seat

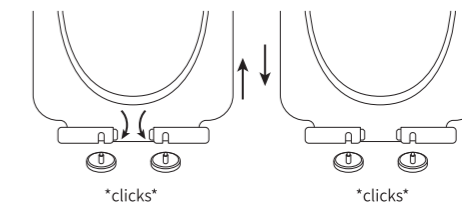
Attach the seat onto the hinges. When you hear a "click" sound, the seat is properly installed. If the seat is not aligned correctly, remove it and repeat Step 4 to adjust the position.

This seat features a soft-close design to prevent slamming.



Toilet Seat Usage

To remove the seat, press the center release button until it clicks, then lift the seat straight up. To reinstall, align the hinge posts with the reference marks on the seat and press down until it clicks into place.



Warranty

ONE YEAR LIMITED WARRANTY, SOTOMO products are crafted with quality materials and excellent craftsmanship to provide our customers with beautiful, durable, long-lasting products. Should any defects in materials or craftsmanship under regular use be discovered within the first year of installation, SOTOMO will provide replacement parts at no charge or, at its discretion, replace any product or part of the product deemed defective under normal installation, use, service, or maintenance. This warranty applies only to the original purchaser. Proof of purchase will be required in the instance of a claim.

SOTOMO recommends all installations of SOTOMO products to be conducted by a licensed, professional plumber or contractor. SOTOMO will not be held responsible for any damage or product failure due to improper installation, misuse, or failure to utilize a licensed professional for installation. SOTOMO is not responsible for any installation or removal costs.

GARANTÍA LIMITADA DE UN AÑO

Los productos de SOTOMO están fabricados con materiales de calidad y excelente artesanía para brindar productos hermosos, duraderos y de larga duración.

Si se detectan defectos en materiales o artesanía bajo uso normal durante el primer año desde la fecha de instalación, SOTOMO, a su discreción, reemplazará cualquier producto o parte del producto que se considere defectuosa bajo instalación, uso, servicio o mantenimiento normales, sin cargo.

Esta garantía se aplica únicamente al comprador original. Se requerirá comprobante de compra en caso de reclamo.

SOTOMO recomienda que todas las instalaciones de productos SOTOMO sean realizadas por un fontanero o contratista profesional con licencia. SOTOMO no se hace responsable de ningún daño o falla del producto debido a una instalación incorrecta, uso indebido o la falta de utilización de un profesional con licencia para la instalación. SOTOMO no es responsable de ningún costo de instalación o desmontaje.

This One-Year Limited Warranty Will Be Void If:

- The product was not installed in accordance with the installation instructions.
- The product has been removed from its original place of installation.
- The product has been modified from its original packaged state.
- The product has been subjected to improper maintenance, abuse, misuse, excessive use of chemicals, accidents, or other forms of damage.

SOTOMO makes no representation that its products comply with any local building or plumbing codes. It is the consumer's responsibility to determine local code compliance prior to and during installation. This warranty applies only to the original purchaser and first consumer.

SOTOMO is not responsible for any special, incidental, or consequential damages associated with the installation, replacement, return, or use of the original purchased product. This includes, but is not limited to, freight costs, labor, travel time, lost profit, home damages, and any other contingent liabilities or costs (including, without limitation, costs associated with professionals or experts, investigations, audits, analyses, attorneys, and other professional or hired services).

This warranty constitutes a comprehensive and explicit limitation of liability. Any items not disclosed within this warranty are not covered under the responsibility of SOTOMO. Certain states may have variations regarding implied warranties; in such cases, SOTOMO remains fully compliant with applicable laws.

If you have any questions or concerns, please contact us at admin@sotomo.us.



WARNING: Contents of your order may contain sharp or otherwise harmful components and may pose a hazard to children and adults. SOTOMO is not responsible for any personal injury.

Thanks for Choosing SOTOMO

At SOTOMO, our mission is to provide a healthy, hygienic, and comfortable lifestyle.

We put our heart into designing each and every product, carefully balancing functionality, aesthetics, and materials. Our goal is to deliver superior products to our customers, and we are truly grateful that you have chosen SOTOMO. We look forward to hearing from our customers and are committed to providing the best service possible. If you have any questions, please feel free to contact us at admin@sotomo.us.

Thank you for your trust and support.

Brand Benefits & Important Notice

Please visit our website <https://sotomohome.com/> or scan the QR code to access the official SOTOMO brand website. Enter your product serial number and order information to extend your warranty and receive lifetime customer support.

Beneficios de la marca e información importante

Por favor, visite nuestro sitio web <https://sotomohome.com/> o escanee el código QR para acceder al sitio web oficial de la marca SOTOMO.

Ingrese el número de serie de su producto y la información de su pedido para extender su garantía y recibir servicio de atención al cliente de por vida.

