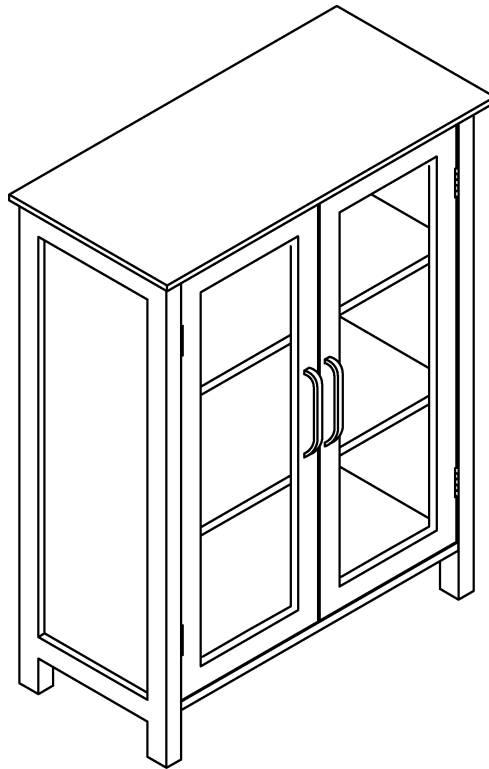


ASSEMBLY INSTRUCTIONS

2Door FC



Please provide the following information when contacting for parts or questions: the name of the company you purchased from, the UPS/FedEx tracking number.

This product comes with a 1 year warranty. Products purchased second hand/used are not covered under the warranty.

ASSEMBLY INSTRUCTIONS-IMPORTANT

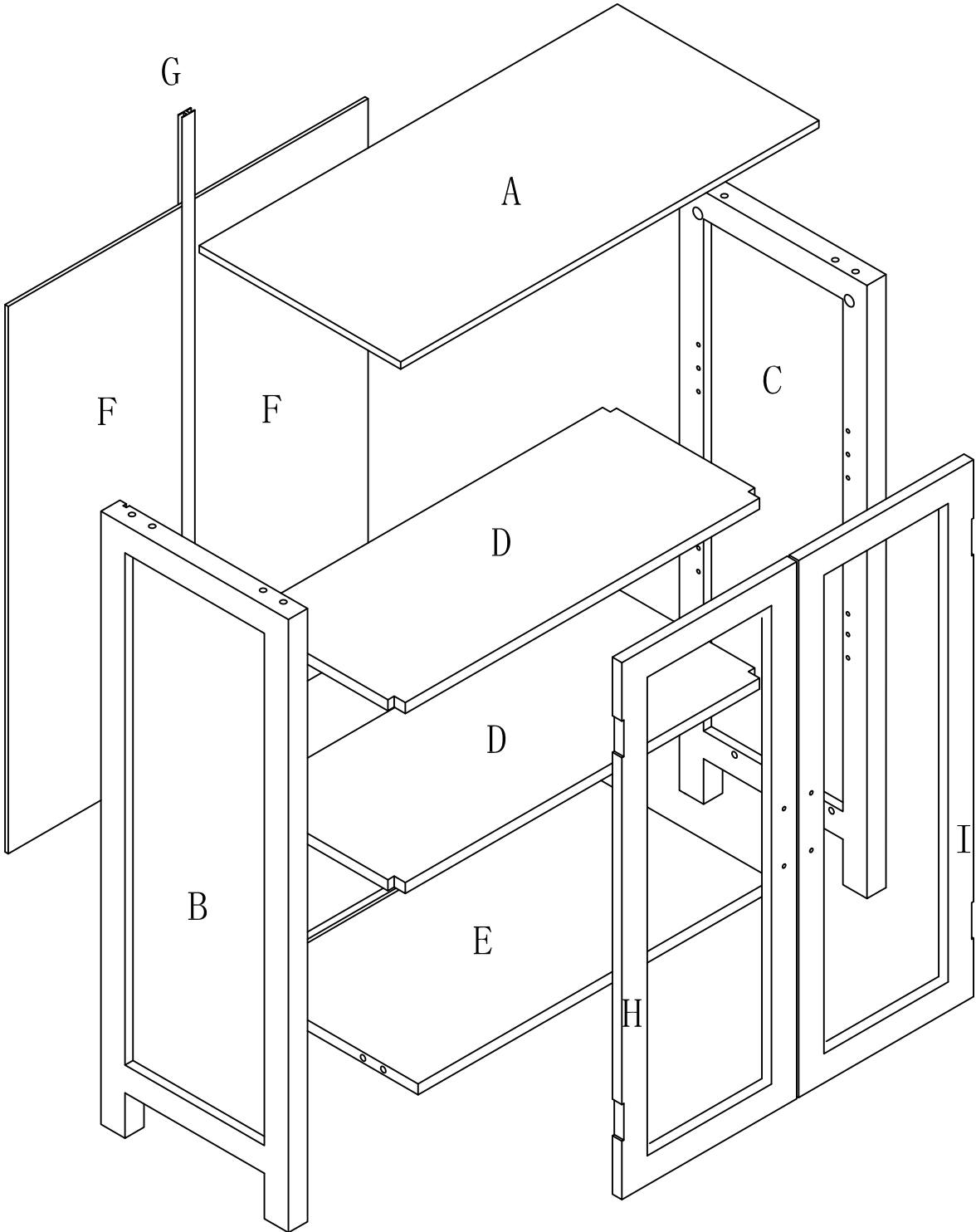
Carefully unpack & identify each component before attempting to assemble. Refer to parts list. Please take care when assembling the unit and always set the parts on a clean, soft surface. If you require any assistance with assembly, parts, please call the company you place order with or please email us.

INSTRUCCIONES PARA ARMAR-IMPORANT:

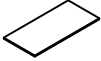








Desempaque e identifique cuidadosamente cada componente antes de intentar ensamblar. Consulte la lista de piezas. Tenga cuidado al ensamblar la unidad y siempre coloque las piezas en una superficie limpia y suave. Si necesita ayuda con el ensamblaje, piezas, llame a la compañía con la que realiza el pedido o envíenos un correo electrónico.

DIRECTIVES DE MONTAGE-IMPORTANT:



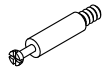
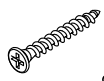
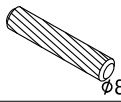
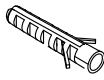
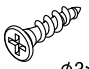




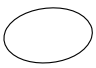
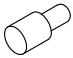
Déballez et identifiez soigneusement chaque composant avant d'essayer de l'assembler. Se référer à la liste des pièces. Veuillez faire attention lors du montage de l'appareil et placez toujours les pièces sur une surface propre et douce. Si vous avez besoin d'aide pour l'assemblage, les pièces, veuillez contacter la société avec laquelle vous passez la commande ou envoyez-nous un e-mail.



COMPONENTS

| PART | FIGURE | DESCRIPTION | QTY | PART | FIGURE | DESCRIPTION | QTY |
|------|---|------------------|------|------|---|-------------|------|
| A |  | TOP PANEL | 1PC | F |  | BACK PANEL | 2PCS |
| B |  | LEFT SIDE PANEL | 1PC | G |  | PLASTIC BAR | 1PC |
| C |  | RIGHT SIDE PANEL | 1PC | H |  | LEFT DOOR | 1PC |
| D |  | ADJUSTABLE SHELF | 2PCS | I |  | RIGHT DOOR | 1PC |
| E |  | BOTTOM PANEL | 1PC | | | | |

HARDWARE & TOOLS

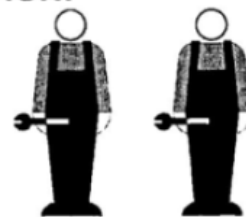
| PART | FIGURE | DESCRIPTION | QTY | PART | FIGURE | DESCRIPTION | QTY |
|------|---|--------------|------|------|---|-------------|-------|
| 1 |  ø15*12 | CAM LOCK | 8PCS | 8 |  ø3*12 D=7 | SCREW | 16PCS |
| 2 |  | CAM BOLT | 8PCS | 10 |  ø4*25 | SCREW | 2PCS |
| 3 |  ø8*30 | WOODEN DOWEL | 8PCS | 11 |  | ANCHOR | 1PC |
| 4 |  ø3*12 | SCREW | 8PCS | 12 |  | FIX BELT | 1PC |
| 5 |  | BOLT | 4PCS | 13 |  | WASHER | 2PCS |
| 6 |  | HANDLE | 2PCS | 14 |  | CAM COVER | 8PCS |
| 7 |  | SHELF PIN | 8PCS | | | | |

TOOL NEEDED:



**PHILIPS SCREWDRIVER REQUIRED
- NOT INCLUDED**

SUGGESTION:



TWO PEOPLE FOR ASSEMBLING



WARNINGS:

1. DO NOT LET ANY SHARP OBJECTS TOUCH OR RUB THE SURFACE OF THE PRODUCT.
2. WHEN ASSEMBLING, DO NOT LET CHILDREN PLAY AROUND THE WORKING AREA.
3. PLEASE CONFIRM ALL PARTS ARE CORRECT BEFORE STARTING THE ASSEMBLY PROCESS.
4. DO NOT TIGHTEN ALL BOLTS AND SCREWS COMPLETELY UNTIL THE ENTIRE UNIT HAS BEEN ASSEMBLED AND SET UP.

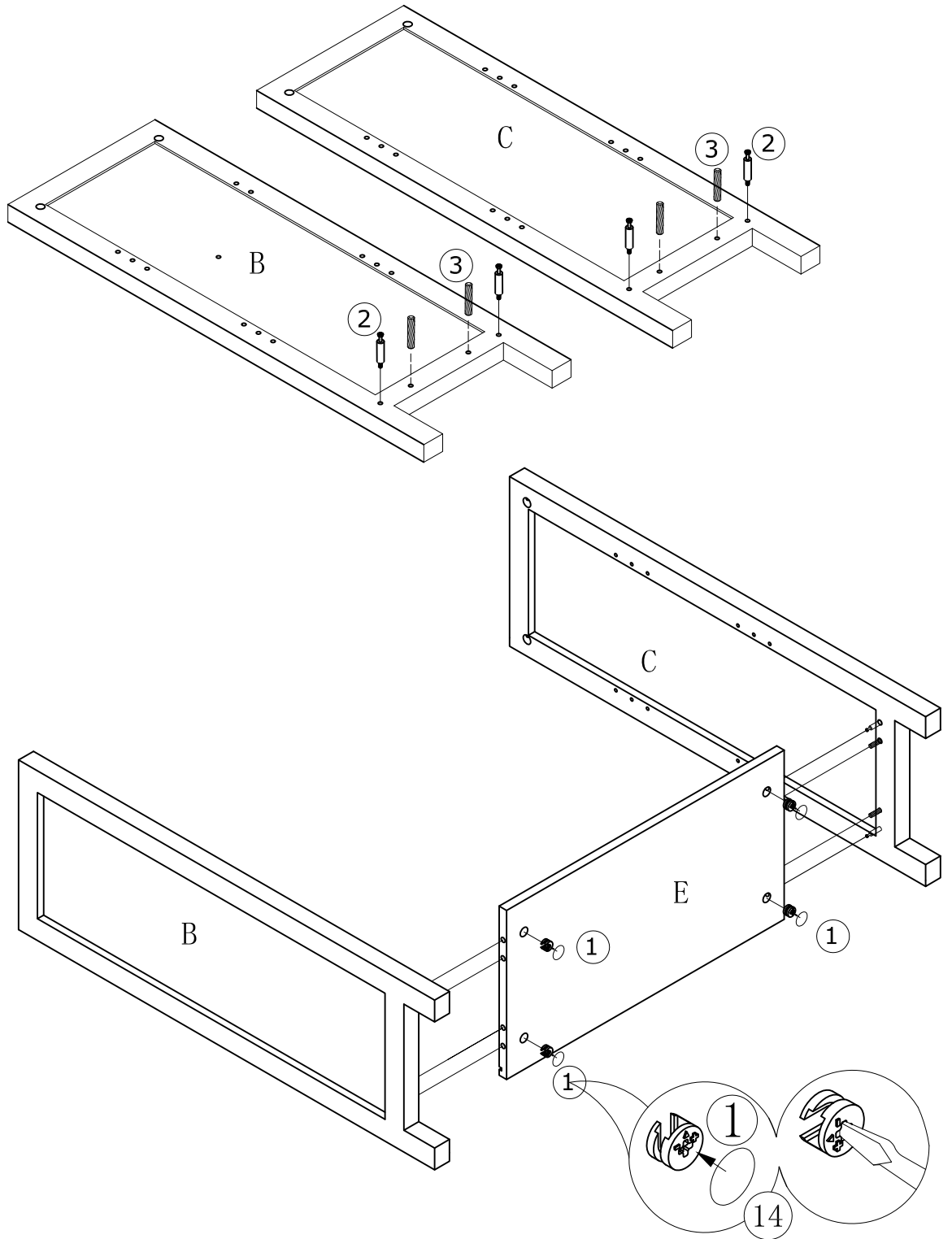
1

1
4 PCS $\varnothing 15 \times 12$

2
4 PCS

3
4 PCS

14
4 PCS

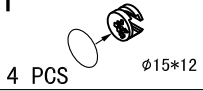


STEP 1:

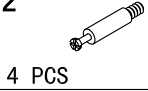
1. Screw cambolts (2) and insert dowels (3) in panels B & C.
2. Attach panel E to panels B & C and secure with camlocks (1).

2

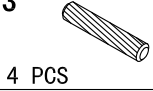
1



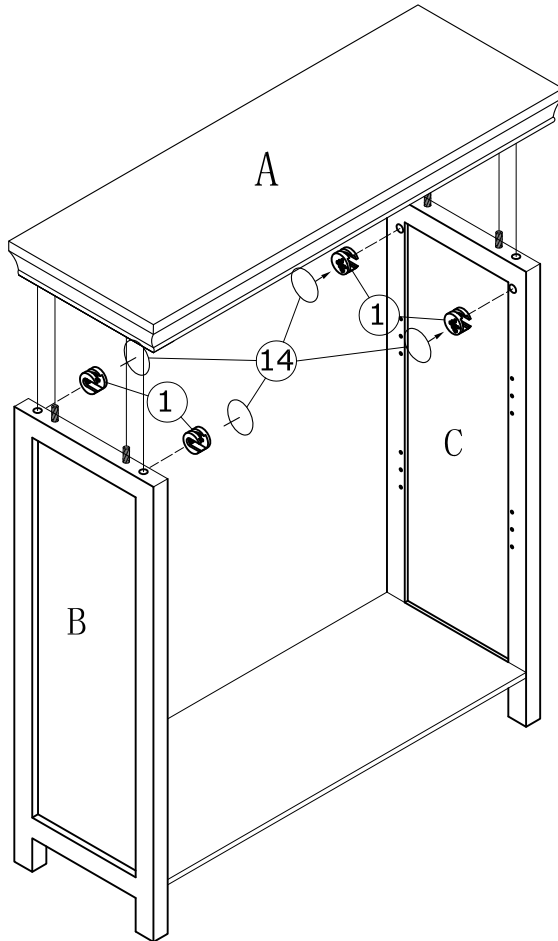
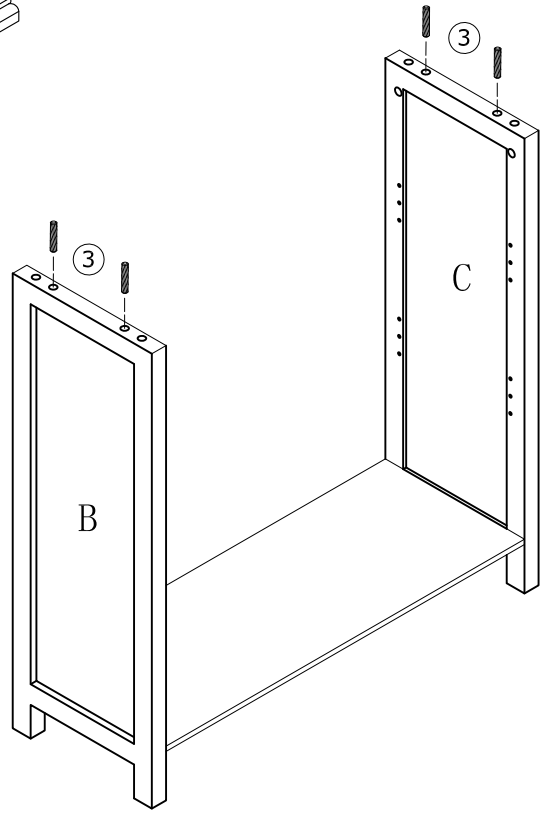
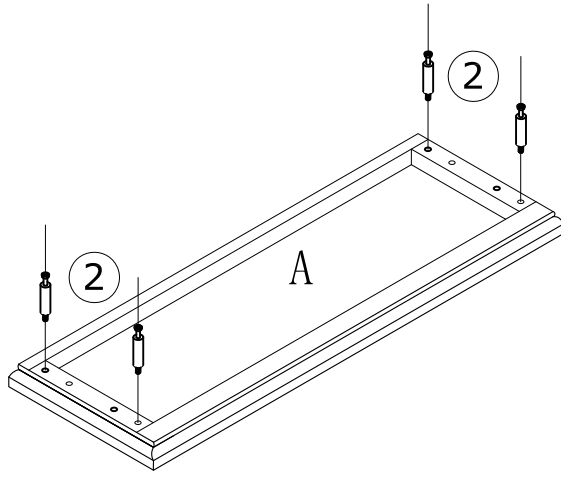
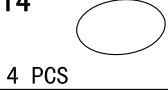
2



3



14



STEP 2:

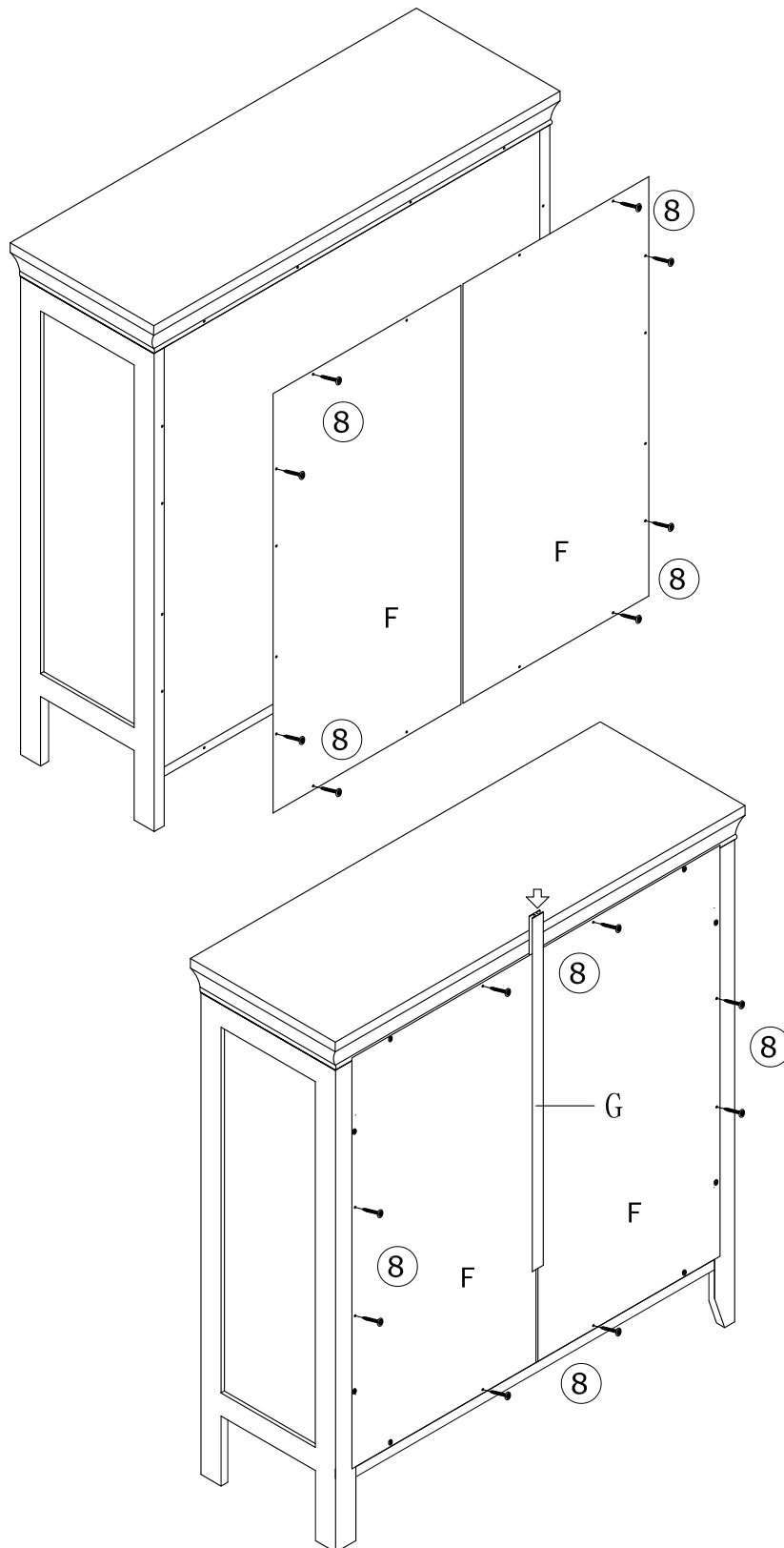
1. Screw cambolts (2) into panel A.
2. Insert dowels (3) to the tops of panels B & C.
3. Attach panel A to panels B & C and secure with camlocks (1).

3

8



16PCS $\phi 3 \times 12$ D=7

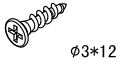


STEP 3:

- 1. Attach panels F to the back of the cabinet and secure with screws (8) as shown.**
- 2. Insert plastic bar G as shown and finish securing panels F with screws (8).**

4

4



8 PCS

5

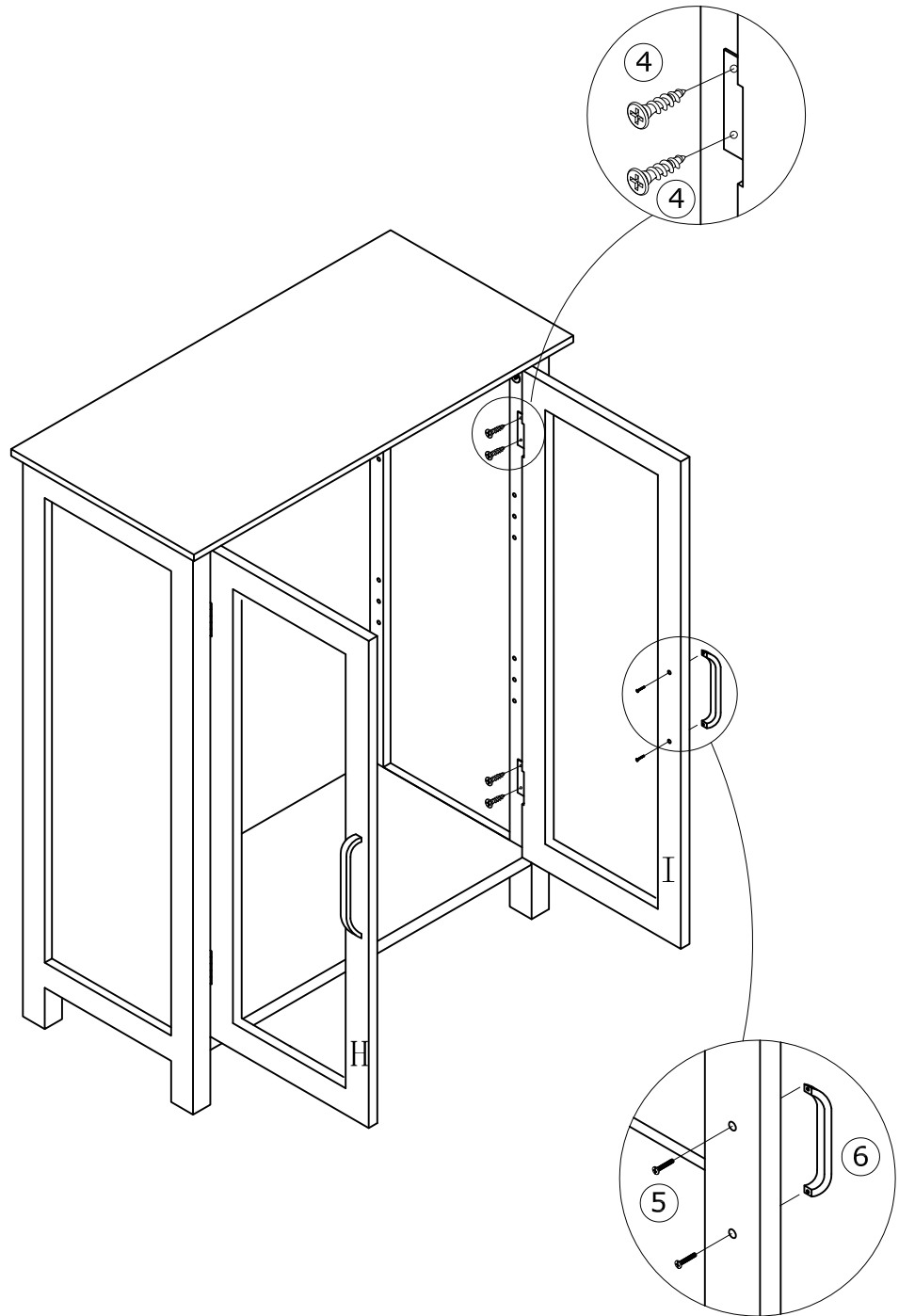


4 PCS

6



2 PCS



STEP 4:

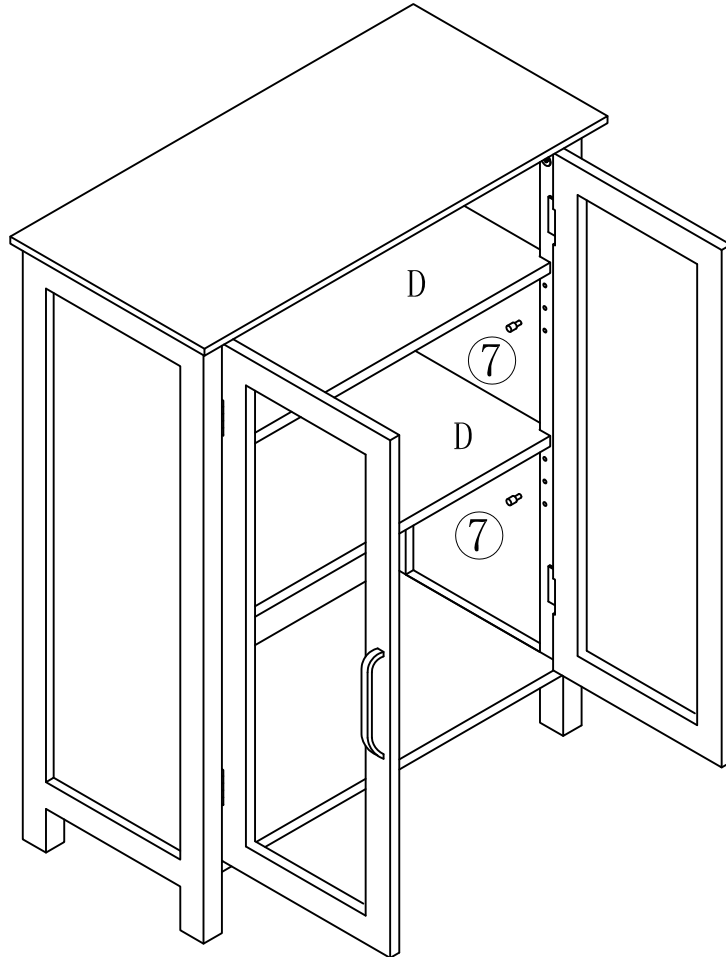
1. Attach handles (6) to doors H & I with bolts (5).
2. Attach doors H & I to the cabinet with screws (4).

5

7



8 PCS



STEP 5:

- 1. Insert shelf pins (7) into panels B & C.**
- 2. Rest adjustable shelves D on the shelf pins.**

6

10
2 PCS $\phi 4 \times 25$

11
1 PC

12
1 PC

13
2 PCS

